



US00D626050S

(12) **United States Design Patent**
Spahr et al.

(10) **Patent No.:** **US D626,050 S**

(45) **Date of Patent:** **** Oct. 26, 2010**

(54) **WHEEL**

(75) Inventors: **Stefan Spahr**, Lengnau (CH); **Martin Walthert**, Bern (CH); **Andreas Reuteler**, Bienne (CH)

(73) Assignee: **DT Swiss Inc.**, Grand Junction, CO (US)

(**) Term: **14 Years**

(21) Appl. No.: **29/299,702**

(22) Filed: **Jan. 2, 2008**

(30) **Foreign Application Priority Data**

Jul. 2, 2007 (DE) 4 07 03 313

(51) **LOC (9) Cl.** **12-15**

(52) **U.S. Cl.** **D12/205; 12/15**

(58) **Field of Classification Search** D12/213;
301/37.101, 64.101, 65, 55, 111.01, 104,
301/60, 66, 58, 59; 152/131

See application file for complete search history.

(56) **References Cited**

U.S. PATENT DOCUMENTS

338,484 A * 3/1886 Clair 301/60

380,012 A * 3/1888 Bailey 152/31

5,707,114 A *	1/1998	Schlanger	301/58
6,238,008 B1 *	5/2001	Forsythe et al.	301/55
6,367,883 B1 *	4/2002	Chen	301/55
6,913,323 B2 *	7/2005	Bhambra	301/66
7,635,170 B2 *	12/2009	Hermansen et al.	301/104
2002/0003372 A1 *	1/2002	Dietrich	301/59
2004/0222689 A1 *	11/2004	Okajima	301/55
2009/0160243 A1 *	6/2009	Mercat et al.	301/75

* cited by examiner

Primary Examiner—Caron Veynar

Assistant Examiner—George D Kirschbaum

(74) *Attorney, Agent, or Firm*—Greer, Burns & Crain, Ltd.

(57) **CLAIM**

The ornamental design for a wheel, as shown and described.

DESCRIPTION

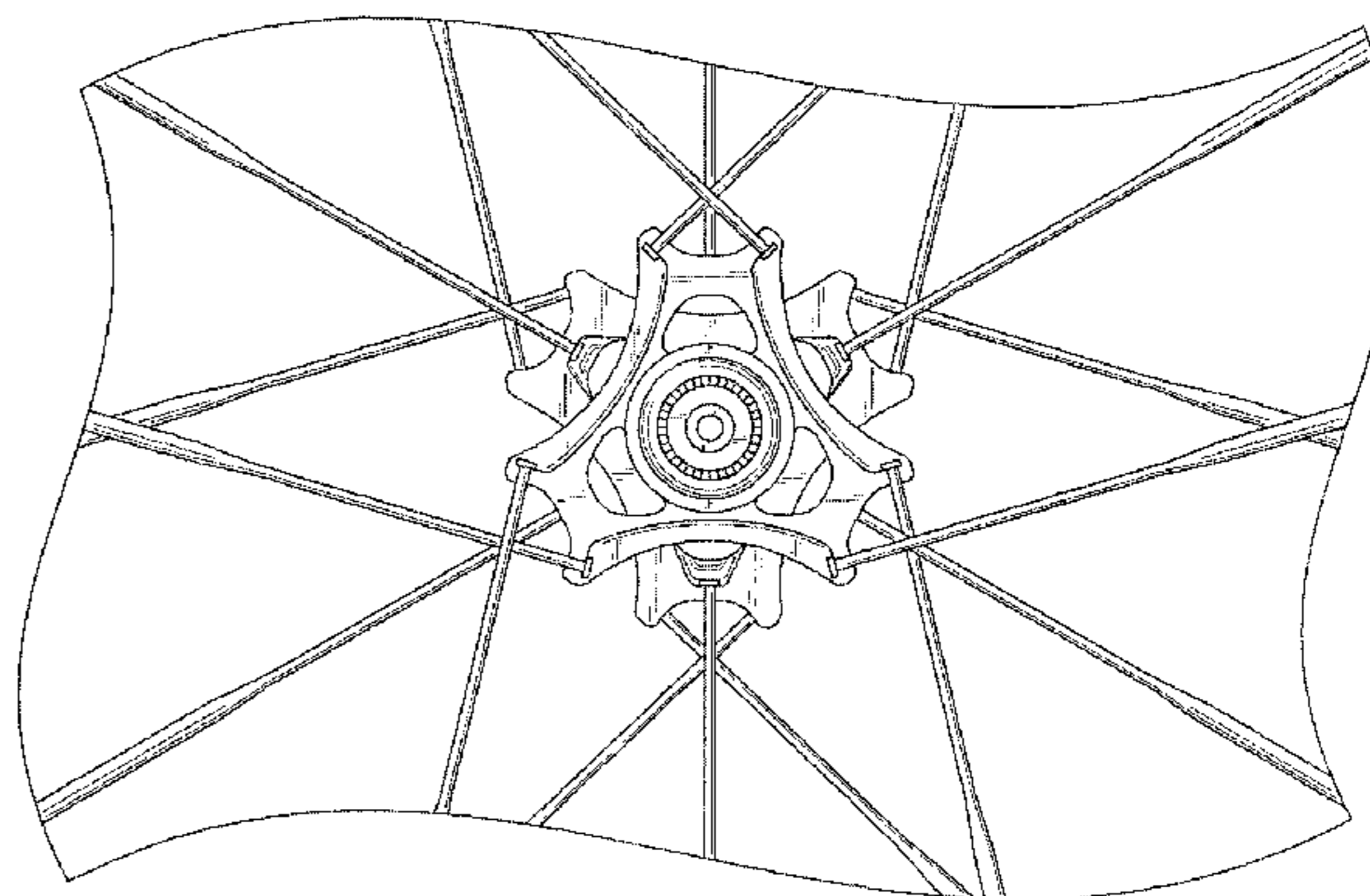
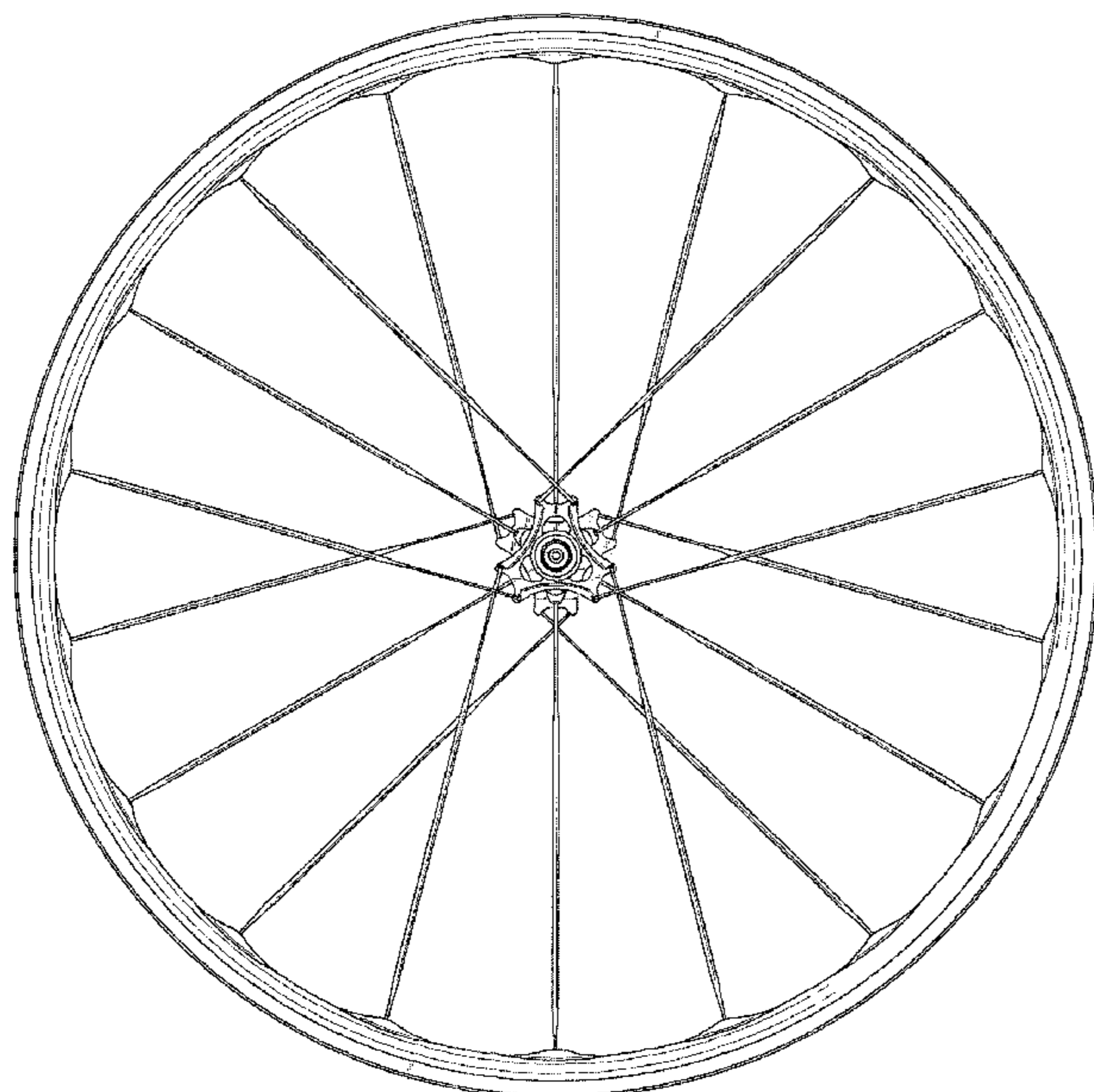
FIG. 1 is a front view of the present wheel, the rear view being identical;

FIG. 2 is an enlarged view of the hub portion of the wheel of FIG. 1;

FIG. 3 is a fragmentary top perspective view of the wheel of FIG. 1; and,

FIG. 4 is a top view of the wheel of FIG. 1, the bottom and side views being identical.

1 Claim, 4 Drawing Sheets



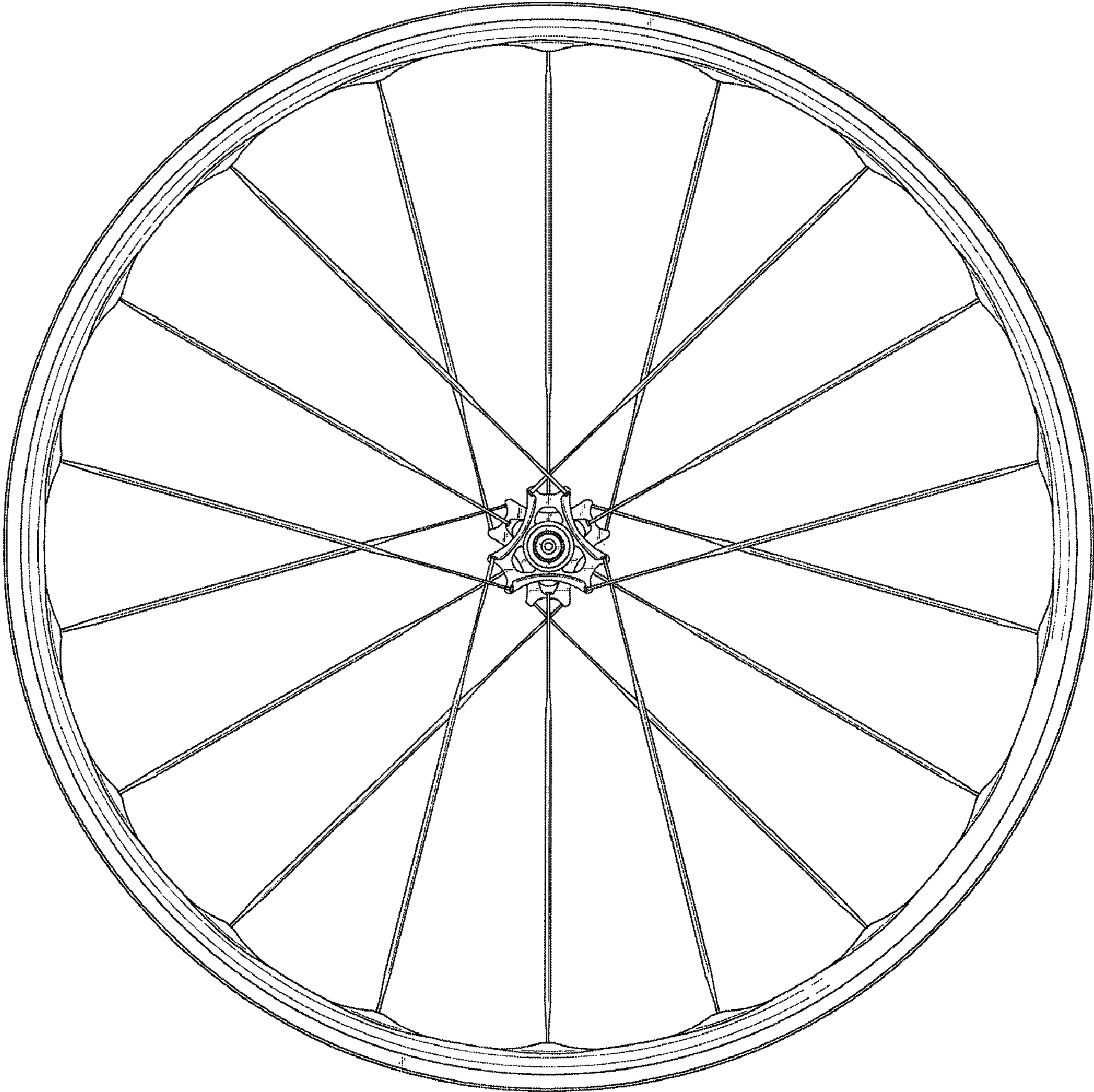


FIG. 1

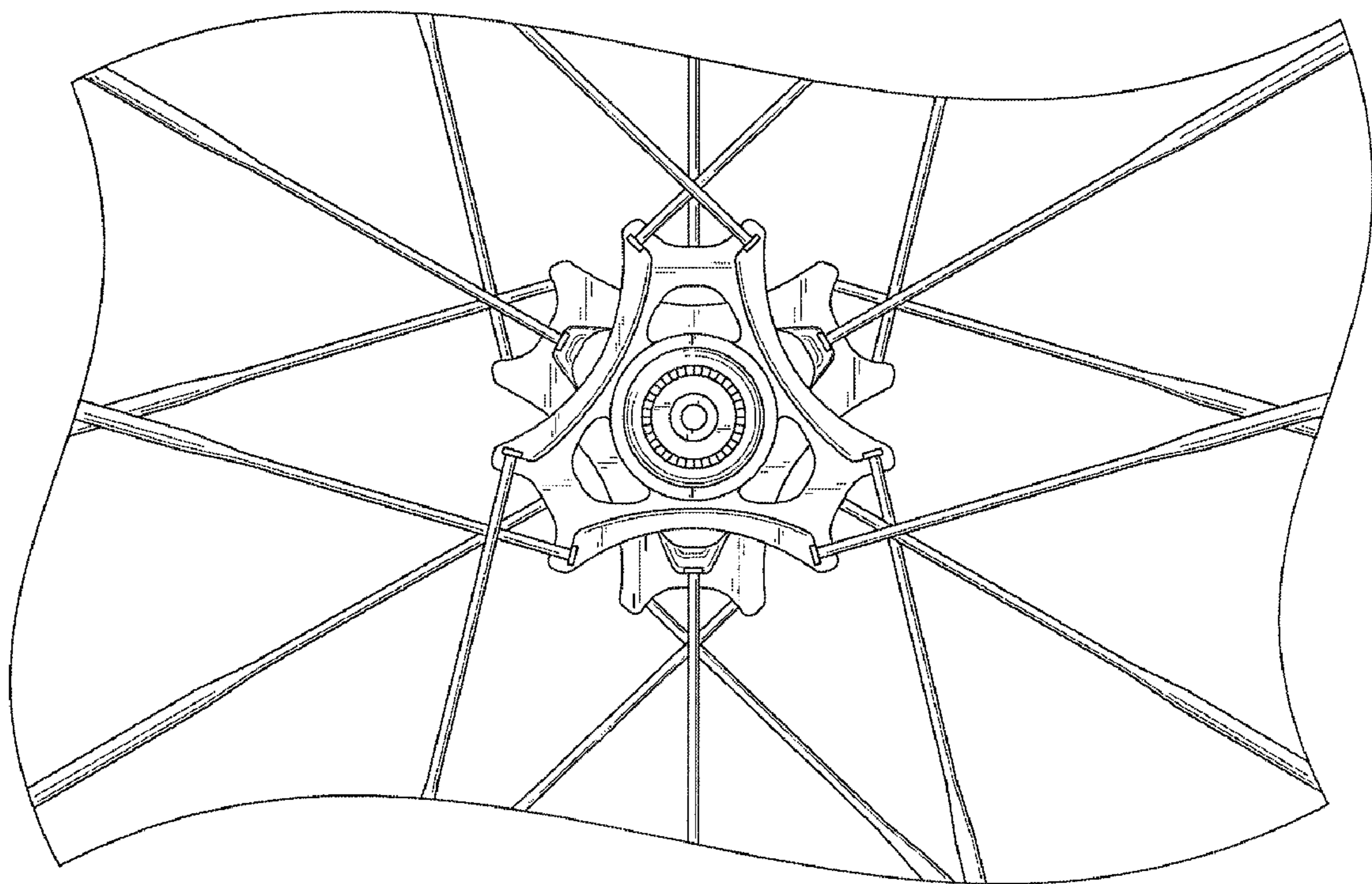


FIG. 2

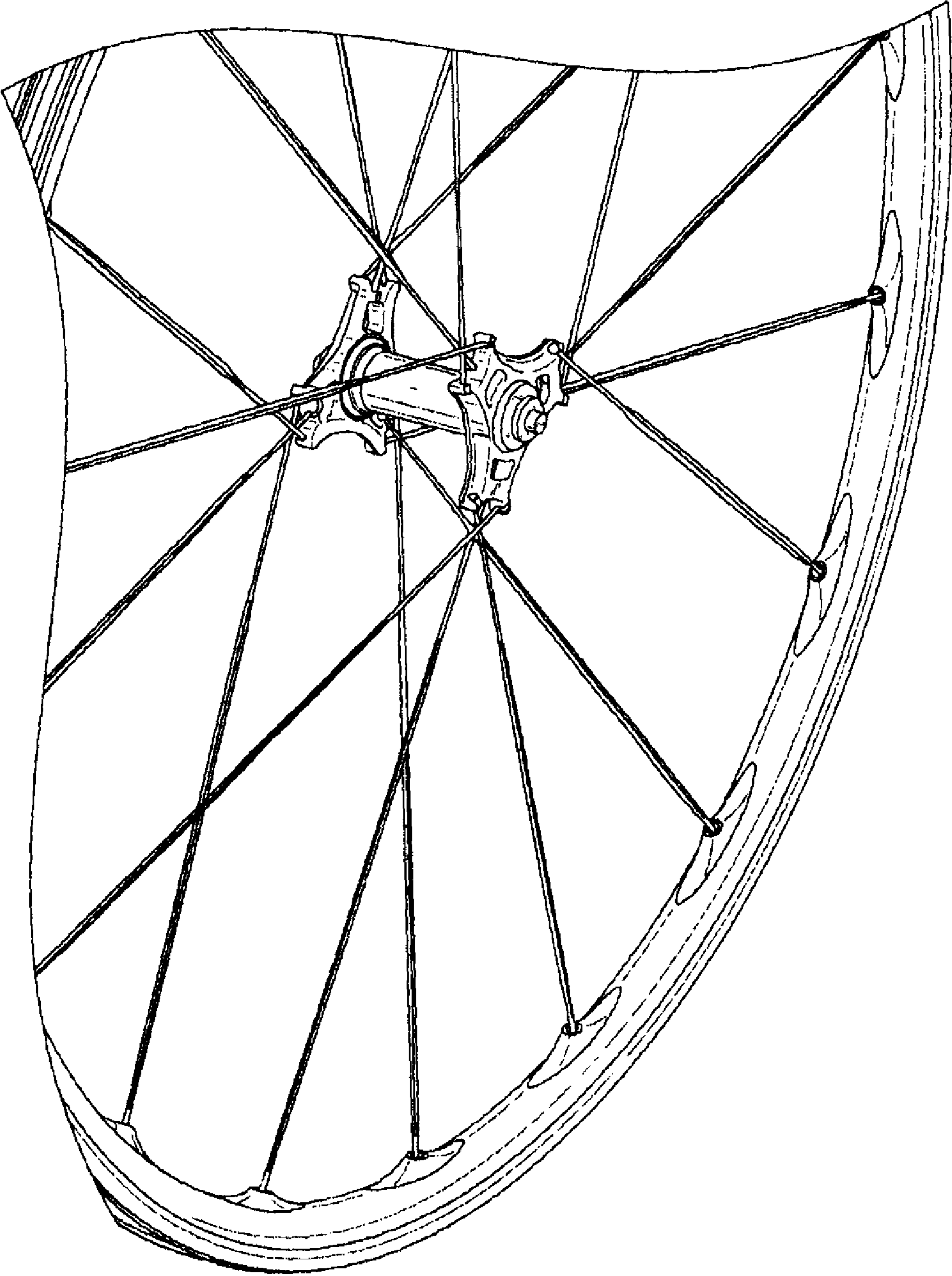


FIG. 3

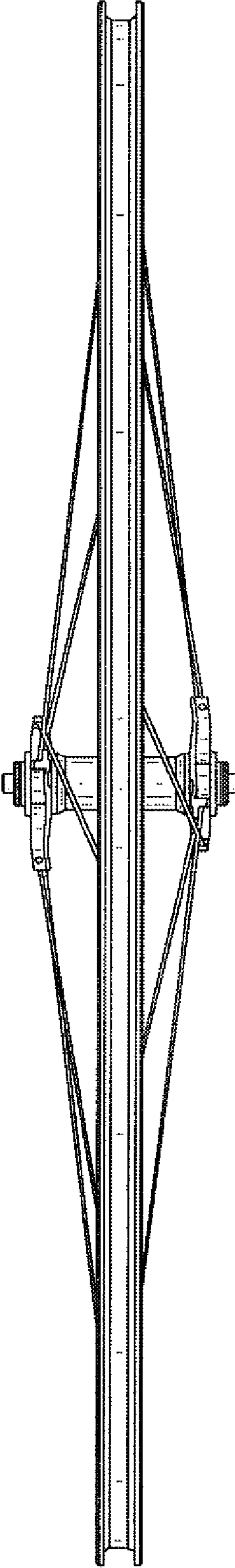


FIG. 4