



US00D626049S

(12) **United States Design Patent**
Emler

(10) **Patent No.:** **US D626,049 S**
(45) **Date of Patent:** **** Oct. 26, 2010**

(54) **RESONANCE CHAMBER DISPOSED ABOUT
A CONDUIT CONTOUR OF AN EMISSION
SYSTEM**

(76) **Inventor:** **Don Emler**, 18033 S. Santa Fe Ave.,
Rancho Dominguez, CA (US) 90221

(**) **Term:** **14 Years**

(21) **Appl. No.:** **29/355,201**

(22) **Filed:** **Feb. 4, 2010**

(51) **LOC (9) Cl.** **12-16**

(52) **U.S. Cl.** **D12/194**

(58) **Field of Classification Search** D12/194;
D15/5; 181/247-249, 264, 282, 239-241,
181/227, 228; 60/303, 313, 323, 276, 272;
123/41.73, 41.7, 184.34, 184.36; 138/44;
280/152.1-152.3, 160.1, 304.3, 770, 848,
280/552; D23/266

See application file for complete search history.

(56) **References Cited**

U.S. PATENT DOCUMENTS

2,925,874	A *	2/1960	Norrie	180/296
D278,326	S *	4/1985	Equi	D12/194
D384,319	S *	9/1997	Harutiunian	D12/194
6,230,488	B1 *	5/2001	Voss	60/298
D480,030	S *	9/2003	Gilli	D12/194
7,506,722	B2	3/2009	Emler	
7,510,050	B2	3/2009	Emler	
7,552,797	B2	6/2009	Luttig	

2009/0013679 A1* 1/2009 Abe et al. 60/321

OTHER PUBLICATIONS

U.S. Appl. No. 29/339,827, filed Jul. 8, 2009, 1 page.

U.S. Appl. No. 29/339,826, filed Jul. 8, 2009, 1 page.

* cited by examiner

Primary Examiner—T. Chase Nelson

Assistant Examiner—Michael A Pratt

(74) *Attorney, Agent, or Firm*—Shook Hardy Bacon LLP

(57) **CLAIM**

The ornamental design for a resonance chamber disposed about a conduit contour of an emission system, as shown and described.

DESCRIPTION

FIG. 1 is a perspective view of a resonance chamber of an embodiment of the present invention;

FIG. 2 is a front side elevation view thereof;

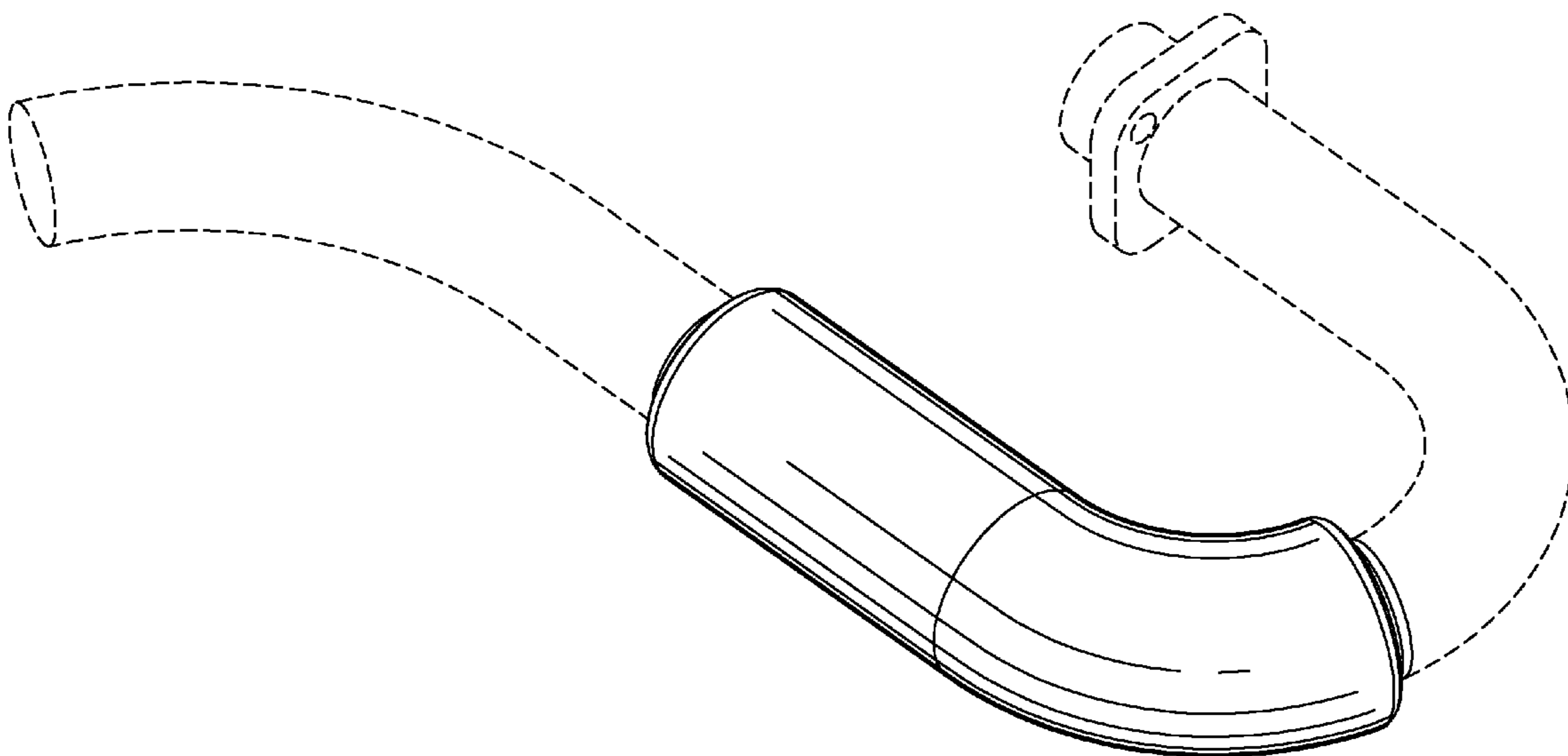
FIG. 3 is a back side elevational view thereof;

FIG. 4 is a top plan view thereof, a bottom plan view thereof being a mirror image thereof; and,

FIG. 5 is a right side elevational view thereof.

The broken lines shown in the drawings are directed toward environment, are for informational purposes only, and form no part of the claimed design. The boundary lines of the conduit are shown in evenly spaced, dashed lines and are not intended to form part of the claimed design.

1 Claim, 2 Drawing Sheets



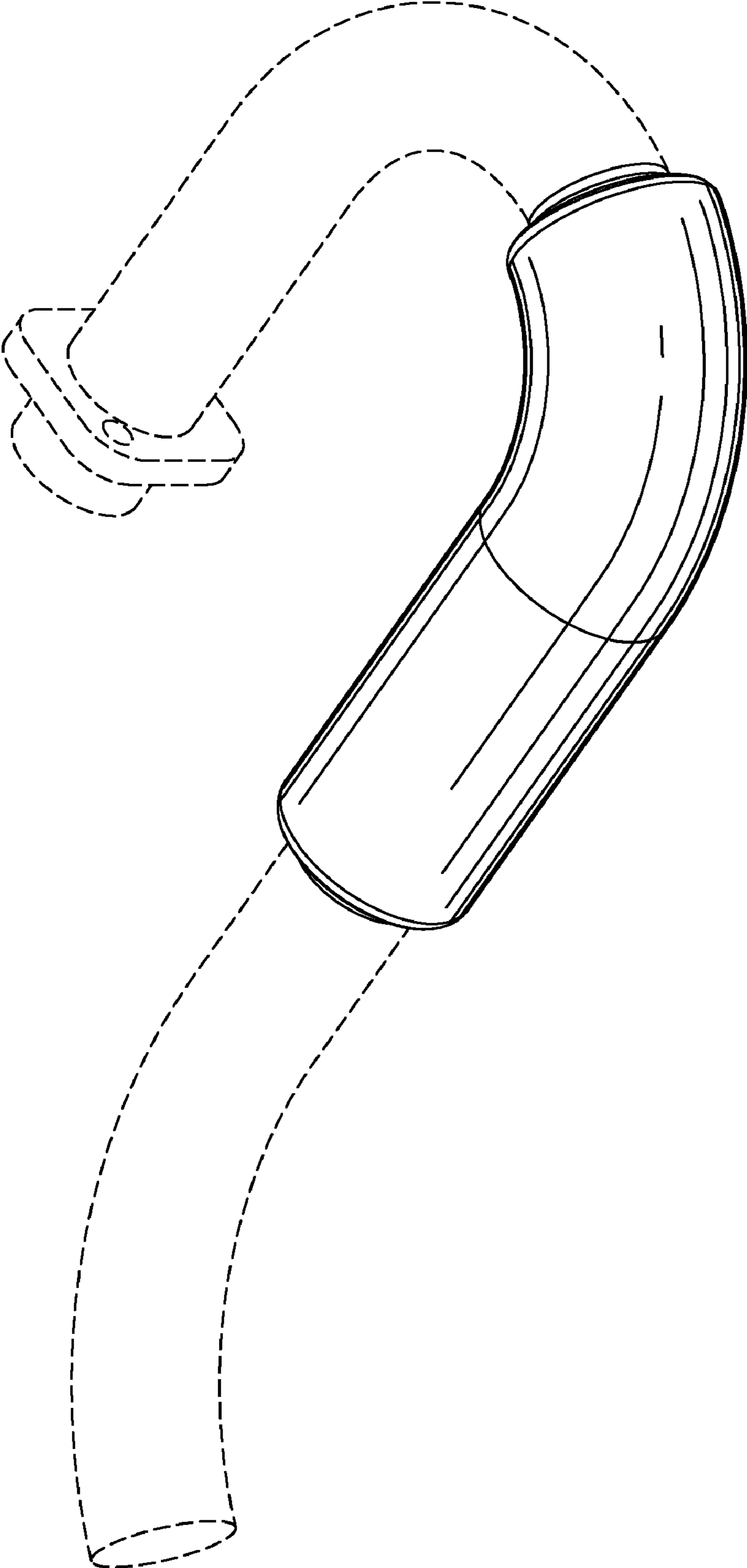


FIG. 1

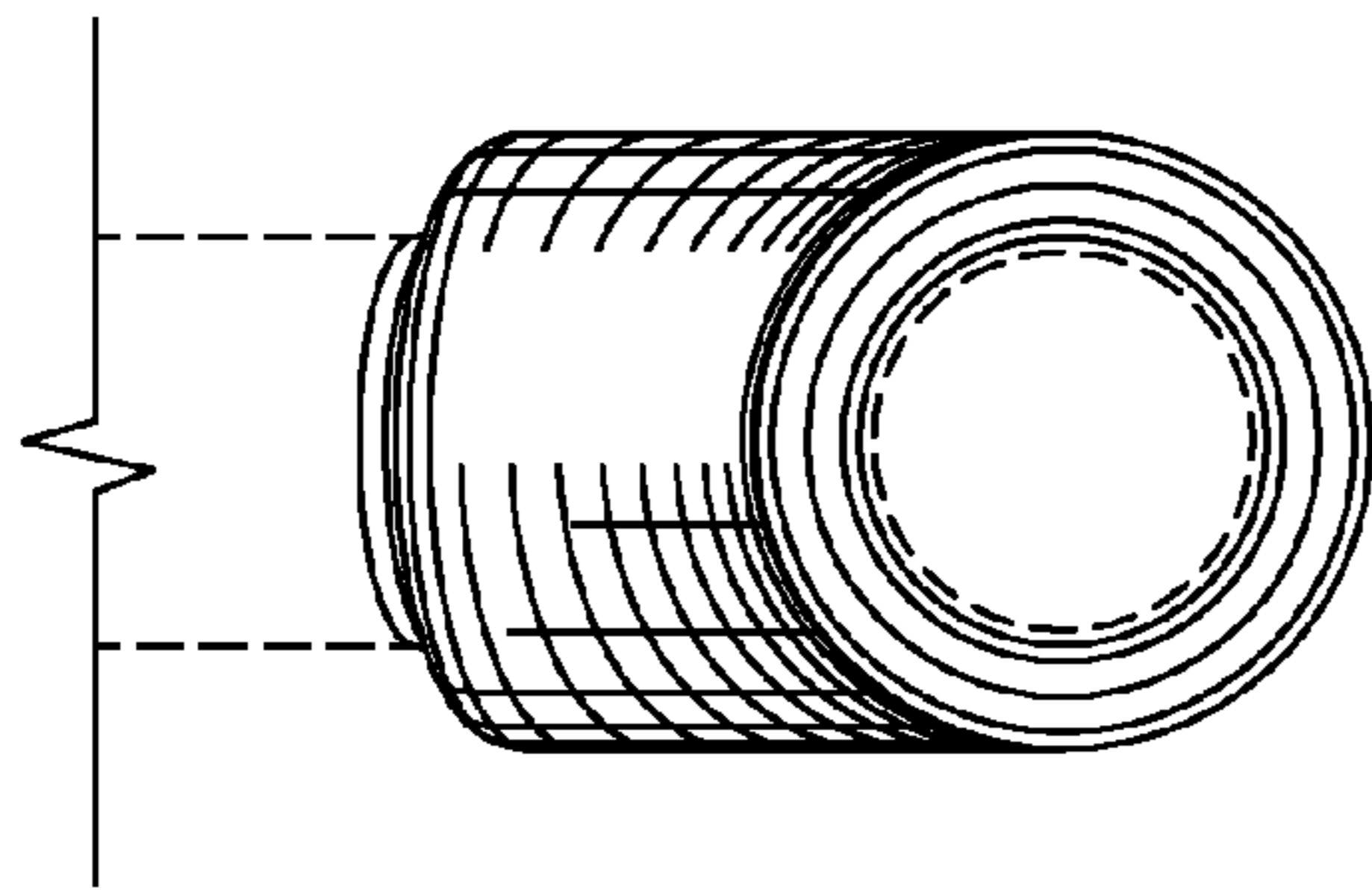


FIG. 2

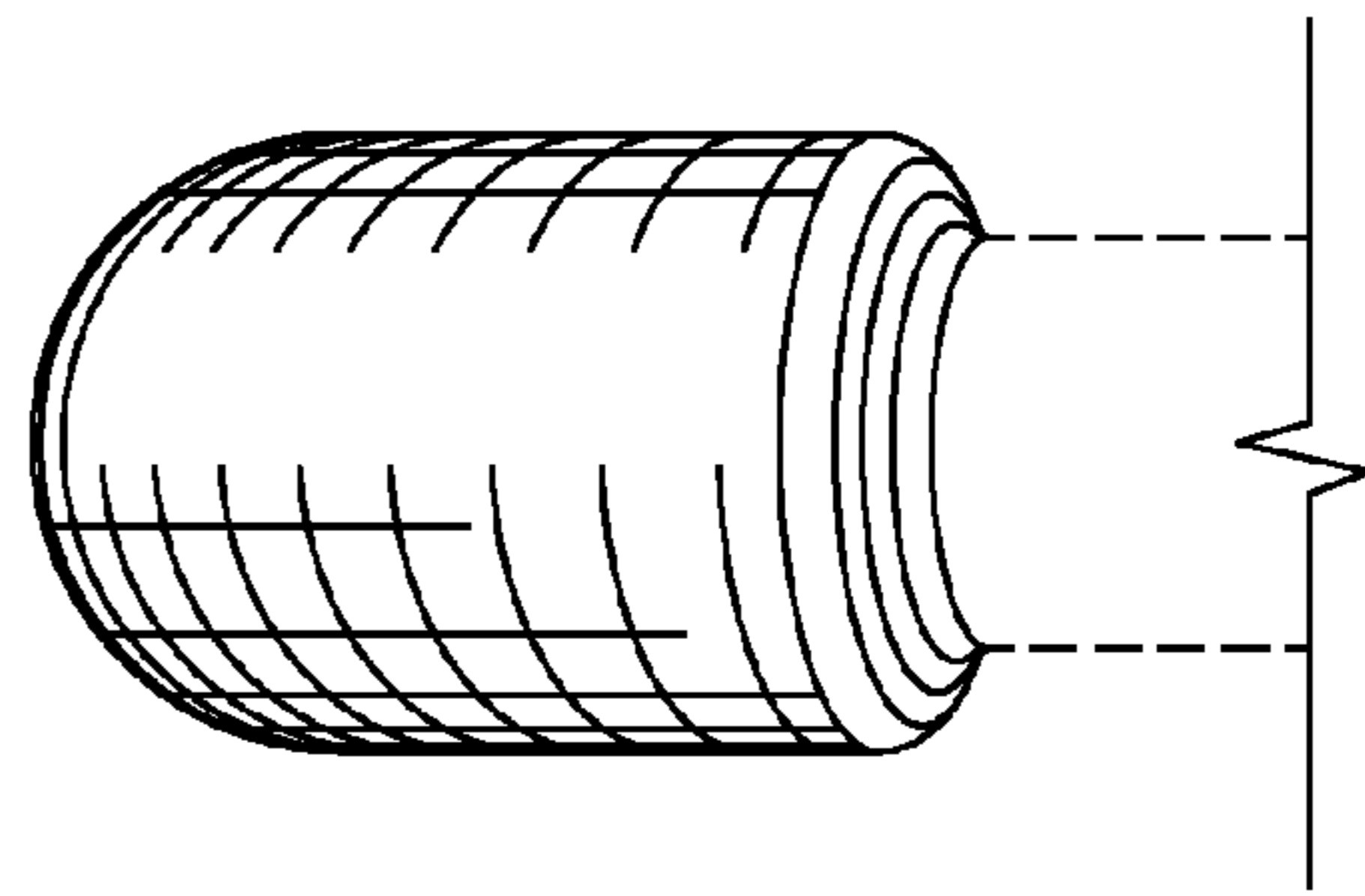


FIG. 3

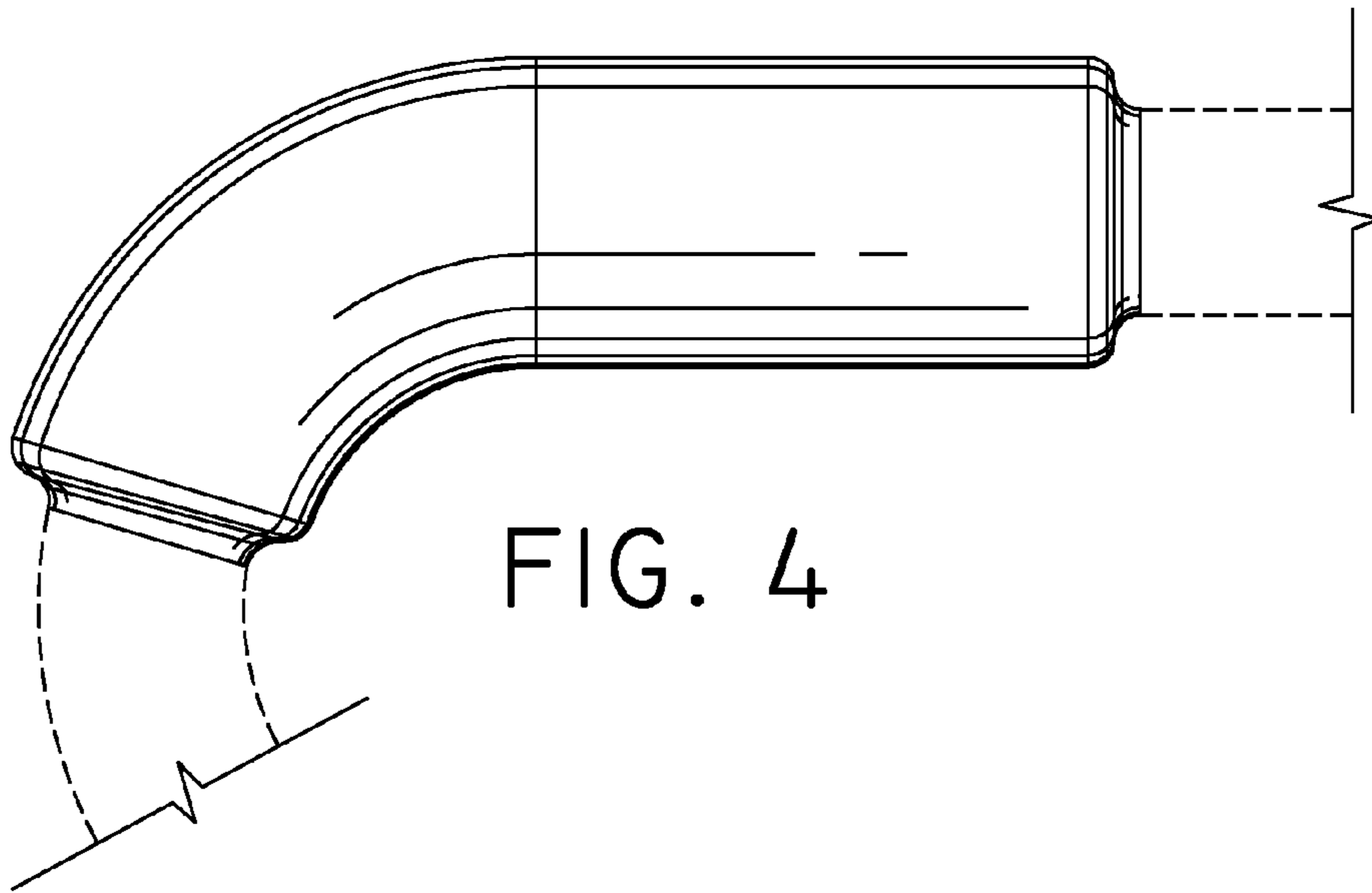


FIG. 4

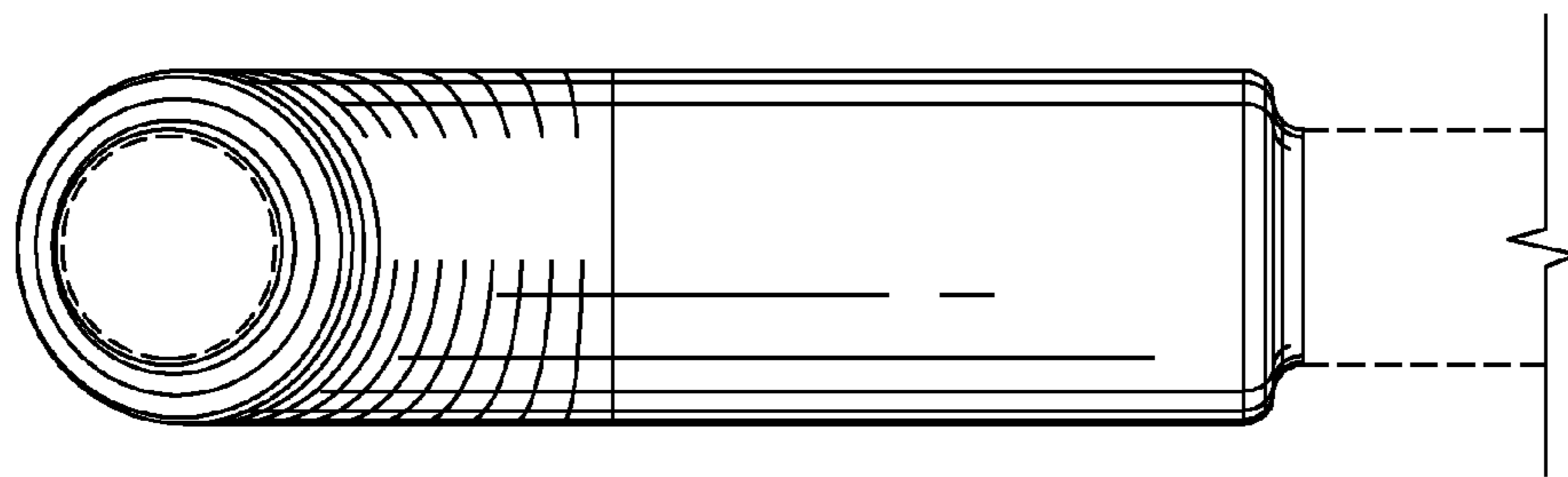


FIG. 5