



US00D626047S

(12) **United States Design Patent**  
**Owyang**

(10) **Patent No.:** **US D626,047 S**

(45) **Date of Patent:** **\*\* Oct. 26, 2010**

(54) **MIRROR ASSEMBLY**

(76) Inventor: **Mon Spencer Owyang**, 212 Fanmar Way, Capitola, CA (US) 95010

(\*\*) Term: **14 Years**

(21) Appl. No.: **29/358,267**

(22) Filed: **Mar. 24, 2010**

(51) **LOC (9) Cl.** ..... **12-16**

(52) **U.S. Cl.** ..... **D12/187**

(58) **Field of Classification Search** ..... D12/187,  
D12/188-189; D6/300, 309; 359/838, 841,  
359/842, 843, 844, 868, 871, 604, 881, 514,  
359/866; 248/479-483, 475.1

See application file for complete search history.

(56) **References Cited**

**U.S. PATENT DOCUMENTS**

|                   |         |                   |       |         |
|-------------------|---------|-------------------|-------|---------|
| D365,073 S *      | 12/1995 | Nagano            | ..... | D12/187 |
| D386,472 S *      | 11/1997 | Eisenbraun et al. | ..... | D12/187 |
| D478,853 S *      | 8/2003  | Boyer             | ..... | D12/187 |
| D506,169 S *      | 6/2005  | Pfeiffer et al.   | ..... | D12/187 |
| D579,838 S *      | 11/2008 | Habib             | ..... | D12/187 |
| D579,938 S *      | 11/2008 | Romanoff et al.   | ..... | D14/422 |
| D587,638 S *      | 3/2009  | Futschik et al.   | ..... | D12/187 |
| D612,311 S *      | 3/2010  | Weil              | ..... | D12/187 |
| 2001/0015862 A1 * | 8/2001  | Lynam et al.      | ..... | 359/879 |
| 2005/0174645 A1 * | 8/2005  | Boddy et al.      | ..... | 359/599 |
| 2005/0195074 A1 * | 9/2005  | Kano              | ..... | 340/475 |

2008/0259477 A1\* 10/2008 Gorton et al. .... 359/879  
2009/0268321 A1\* 10/2009 Wilson ..... 359/868

\* cited by examiner

*Primary Examiner*—Caron Veynar

*Assistant Examiner*—Katrina A Kile

(74) *Attorney, Agent, or Firm*—Roeder & Broder, LLP;  
James P. Broder

(57) **CLAIM**

The ornamental design for a mirror assembly, as shown and described.

**DESCRIPTION**

FIG. 1 is a perspective view of my new design;

FIG. 2 is a side elevational view of the mirror assembly taken from the right side of FIG. 1;

FIG. 3 is a side elevational view of the mirror assembly taken from the left side of FIG. 1;

FIG. 4 is a front elevational view of the mirror assembly illustrated in FIG. 1;

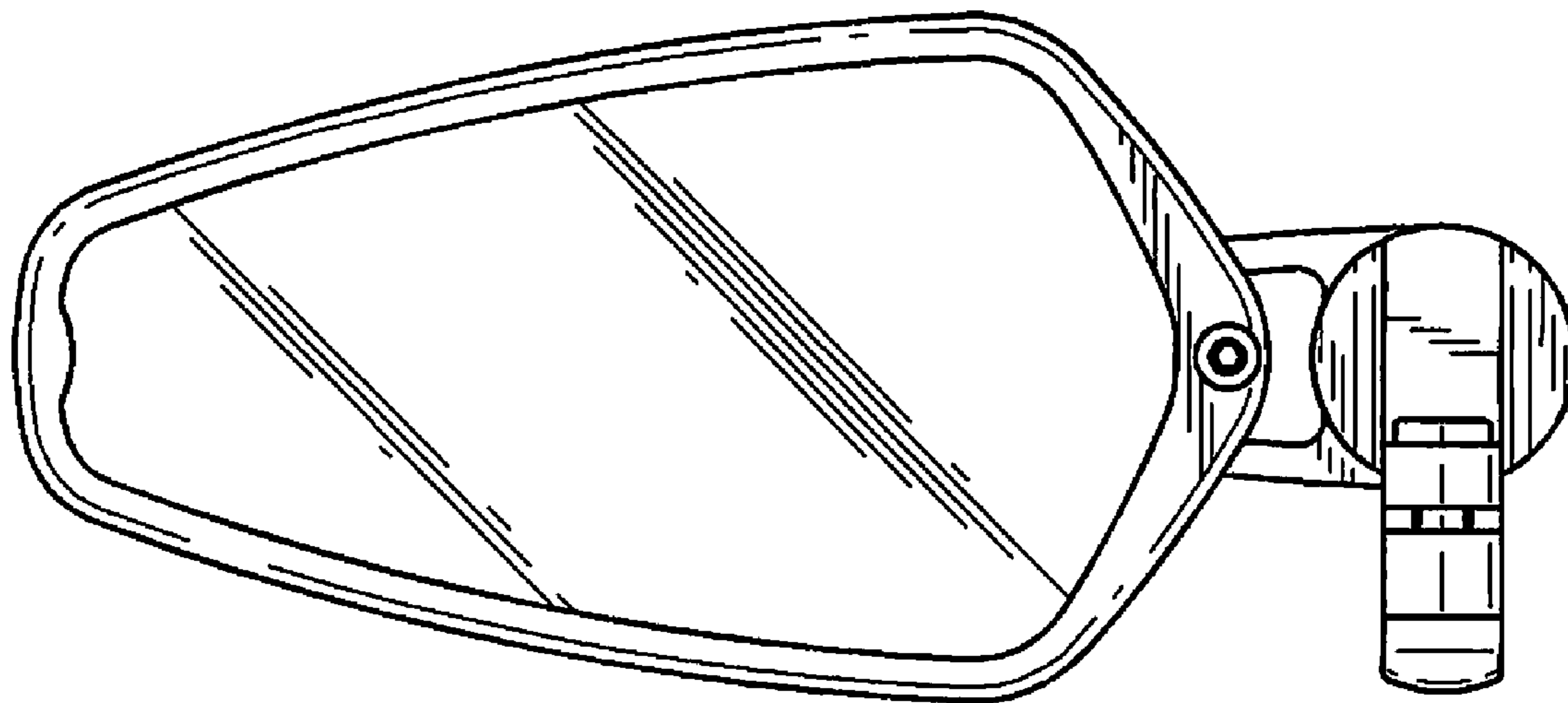
FIG. 5 is a rear elevational view of the mirror assembly illustrated in FIG. 1;

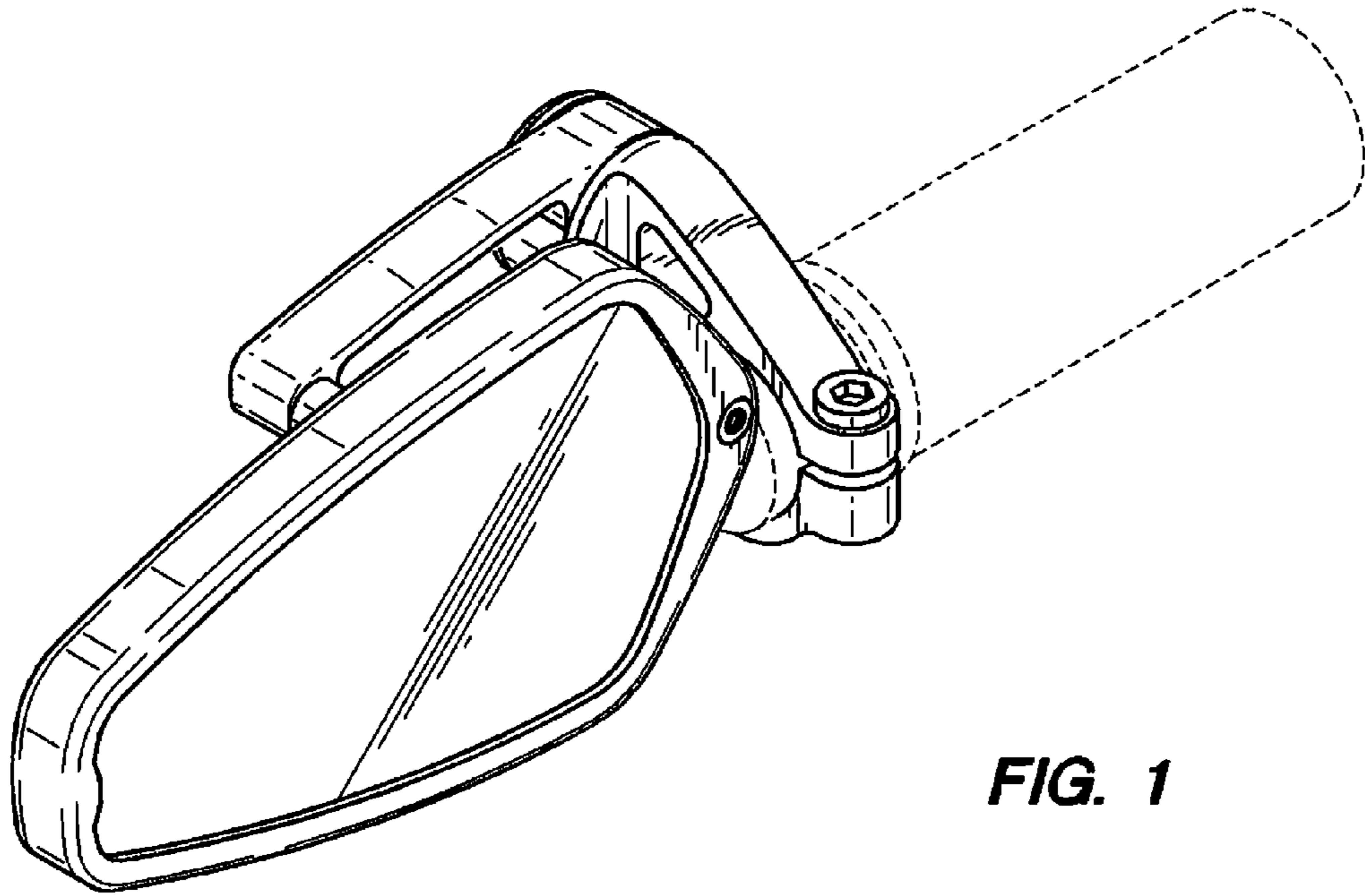
FIG. 6 is a top view of the mirror assembly illustrated in FIG. 1; and,

FIG. 7 is a bottom view of the mirror assembly illustrated in FIG. 1.

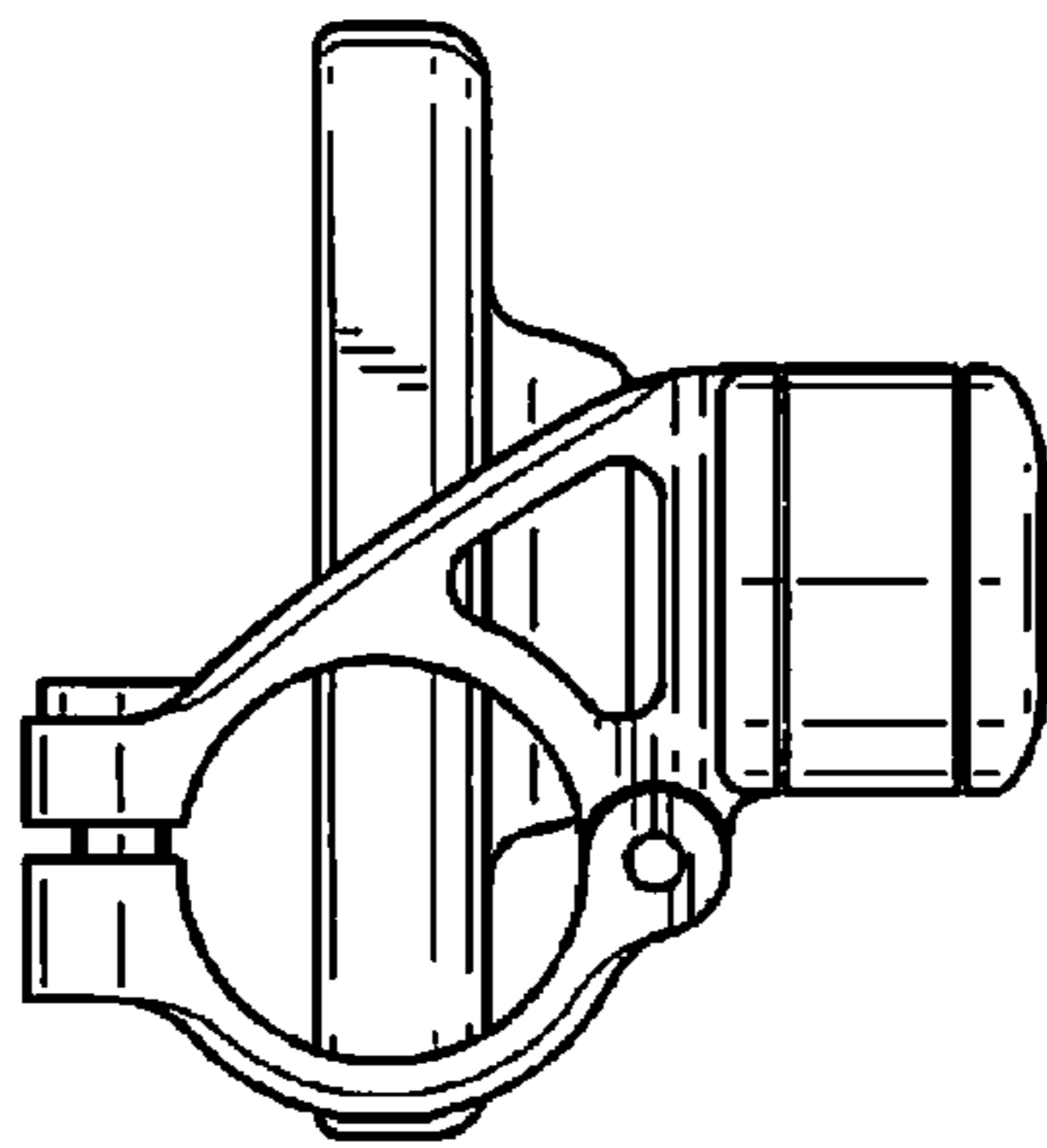
In the drawings, the broken lines in FIG. 1 depict a portion of a motorcycle and form no part of the claimed design.

**1 Claim, 3 Drawing Sheets**

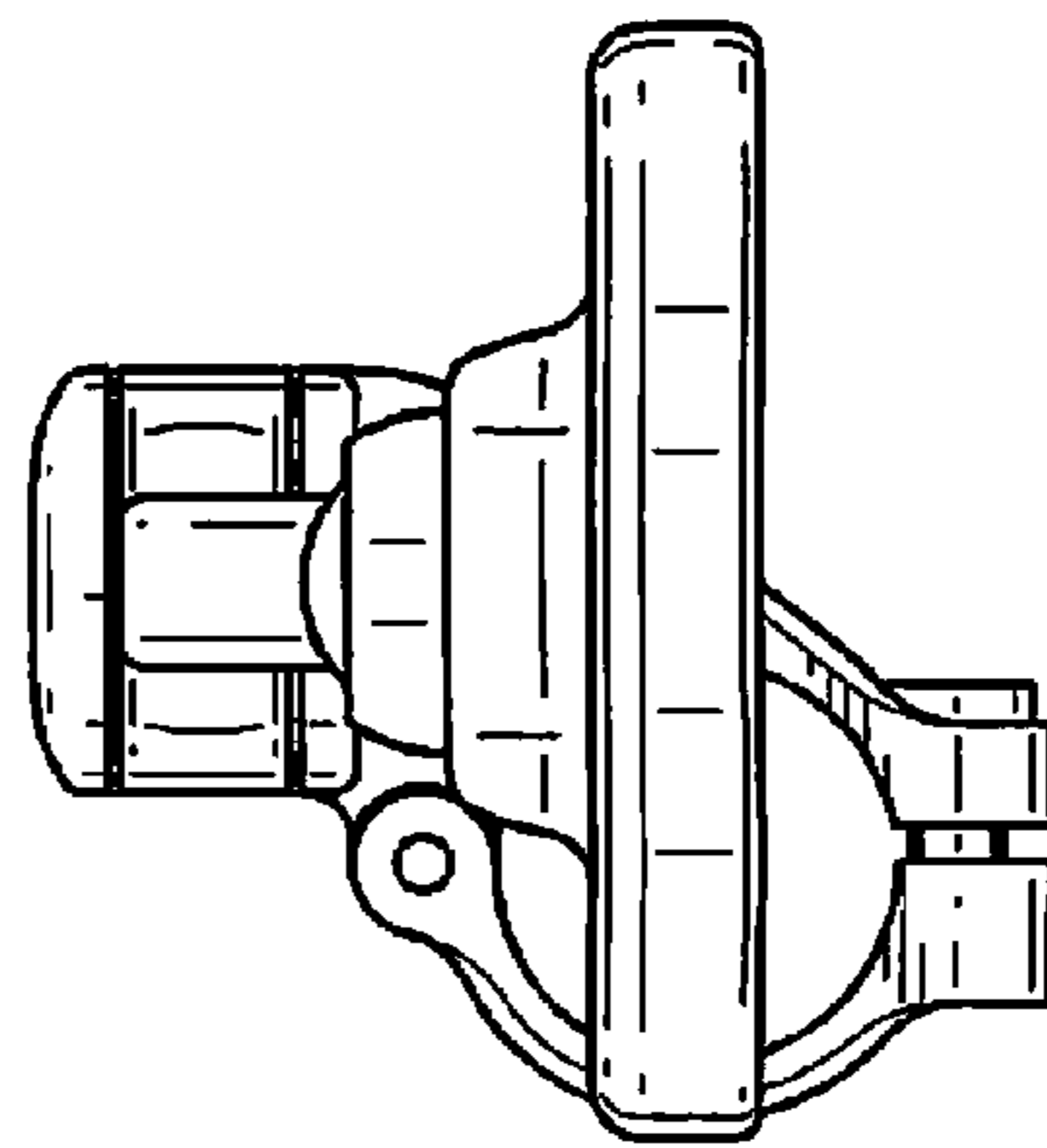




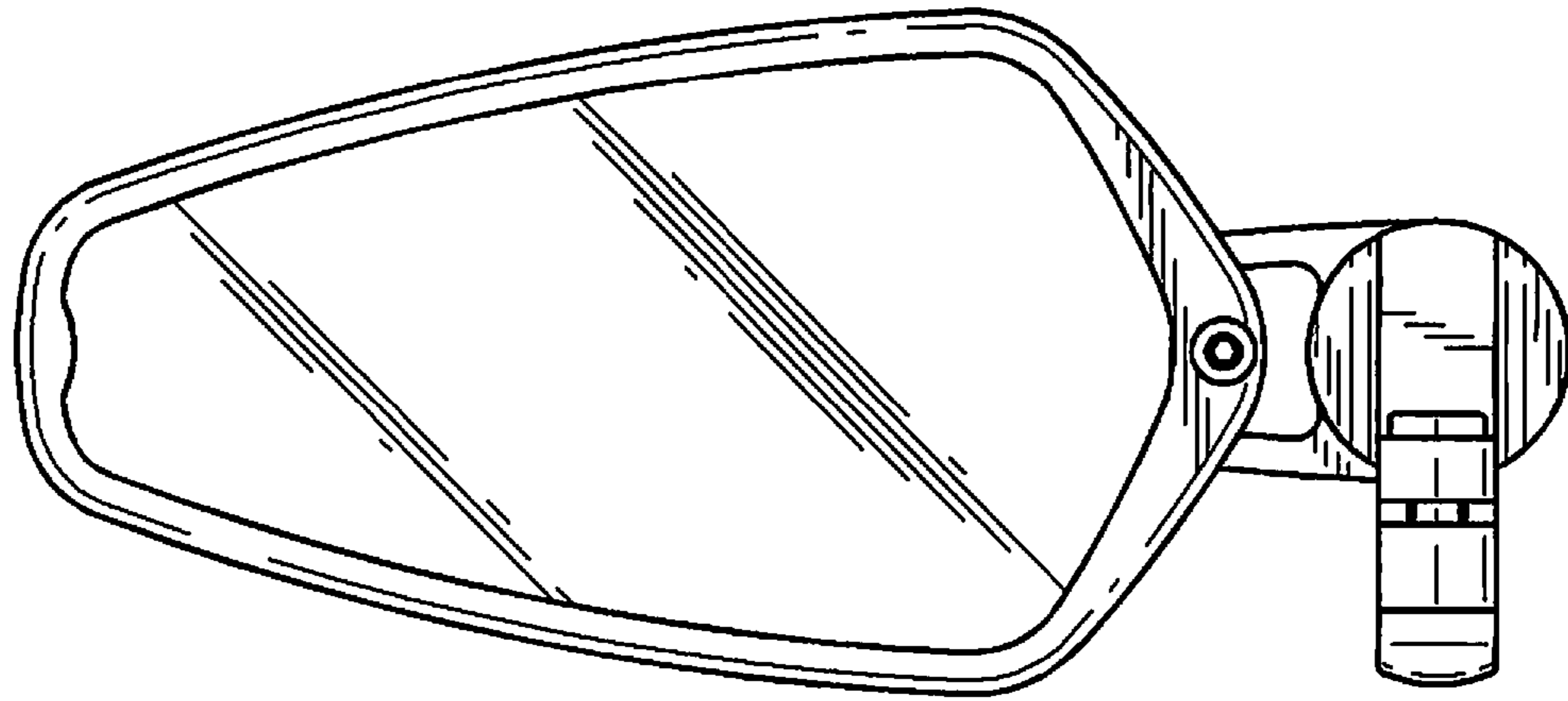
**FIG. 1**



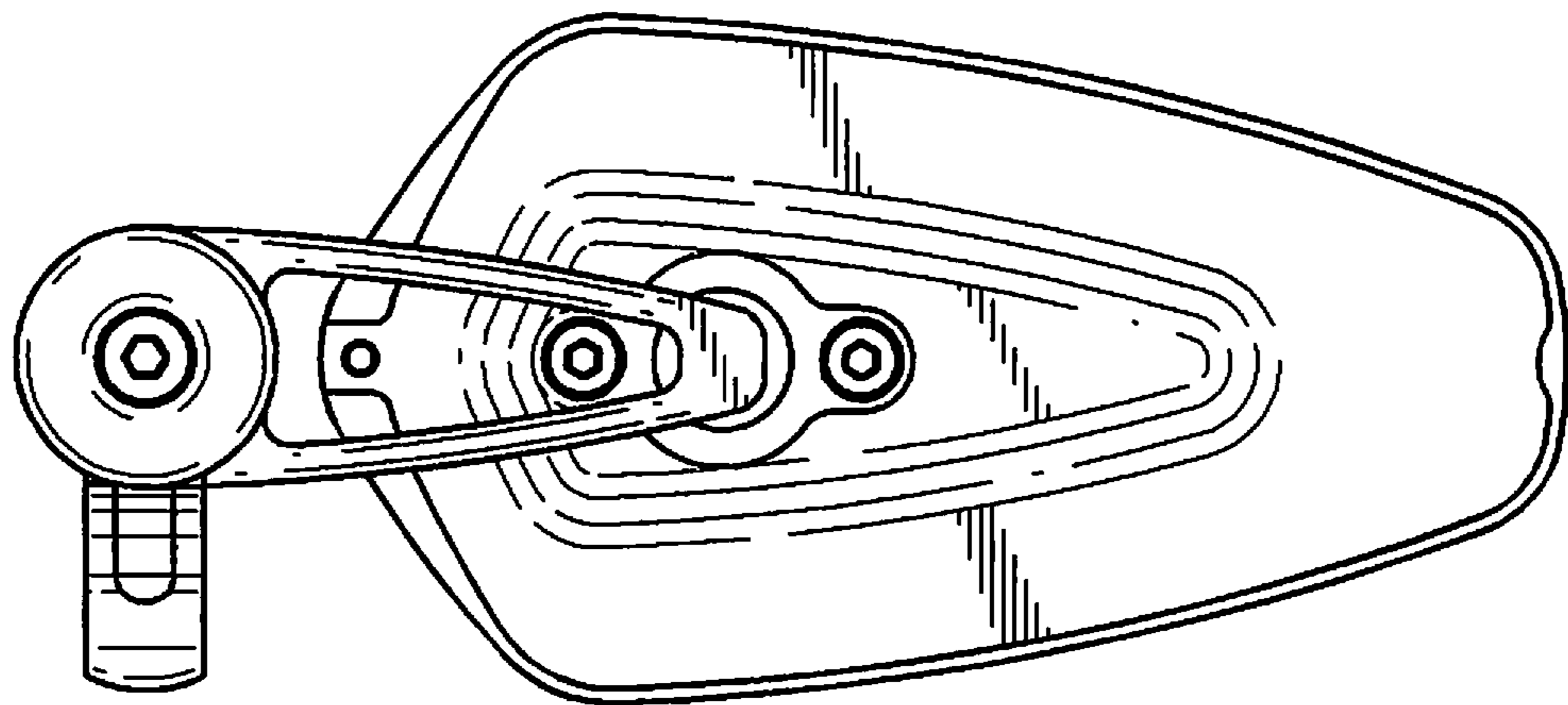
**FIG. 2**



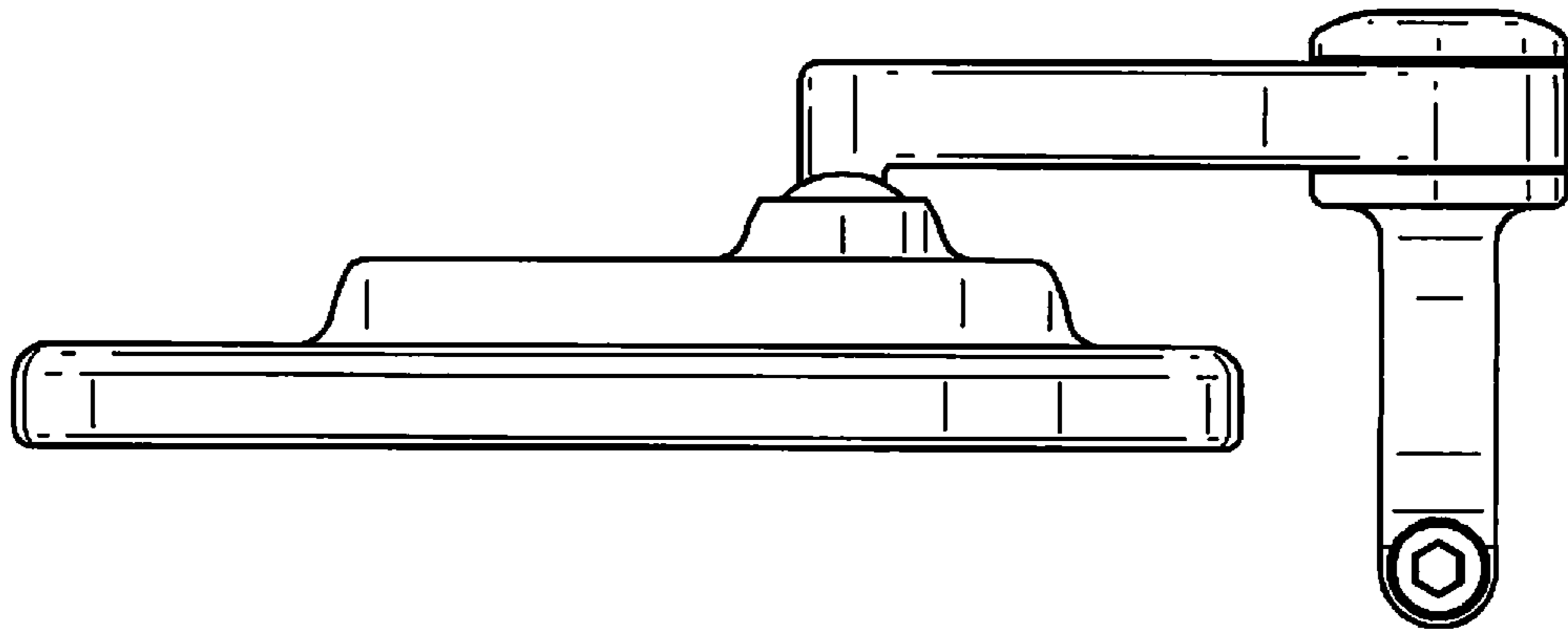
**FIG. 3**



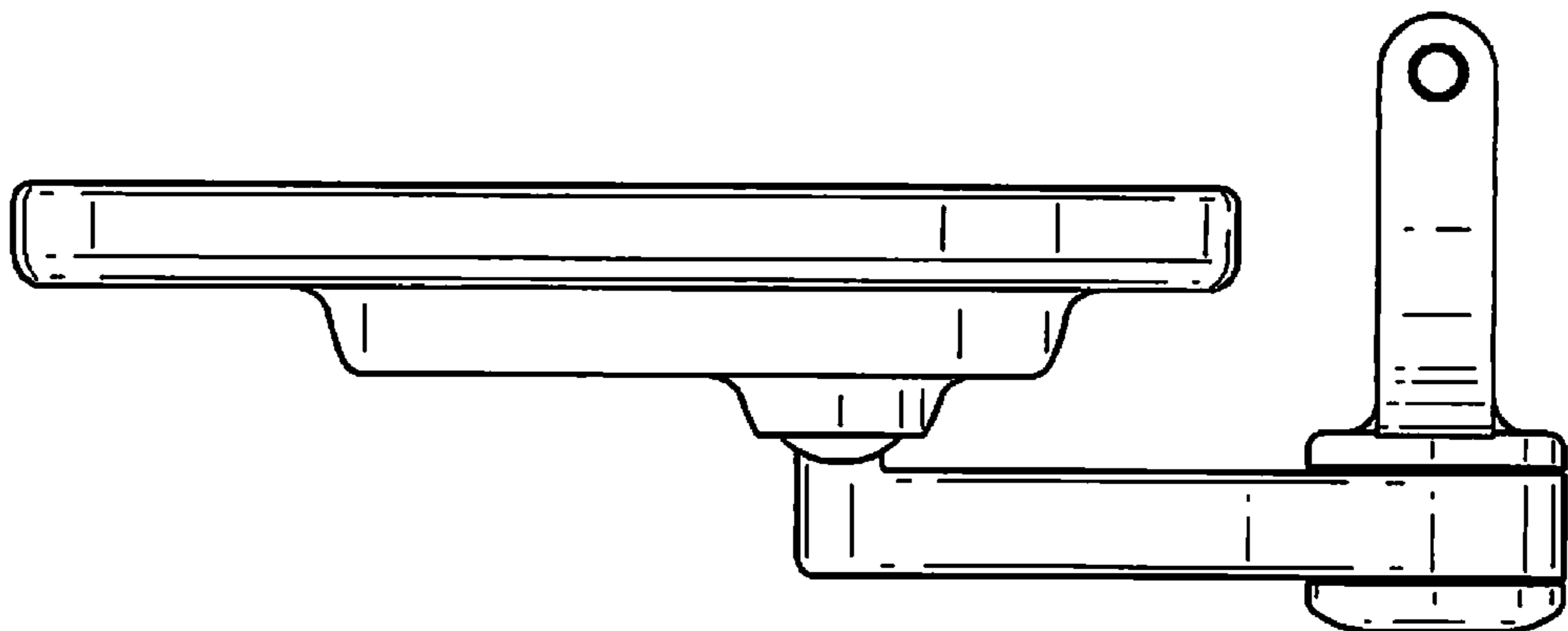
**FIG. 4**



**FIG. 5**



**FIG. 6**



**FIG. 7**