



US00D626042S

(12) **United States Design Patent**  
**Yamazaki et al.**

(10) **Patent No.:** **US D626,042 S**  
(45) **Date of Patent:** **\*\* Oct. 26, 2010**

(54) **REAR BUMPER FOR AUTOMOBILE**

(75) Inventors: **Kazuki Yamazaki**, Kanagawa (JP);  
**Keita Masuzaki**, Kanagawa (JP)

(73) Assignee: **Nissan Jidosha Kabushiki Kaisha**,  
Kanagawa-ku, Yokohama-shi (JP)

(\*\*) Term: **14 Years**

(21) Appl. No.: **29/348,466**

(22) Filed: **Jan. 8, 2010**

(30) **Foreign Application Priority Data**

Jul. 9, 2009 (JP) ..... 2009-015709

(51) **LOC (9) Cl.** ..... **12-16**

(52) **U.S. Cl.** ..... **D12/169**

(58) **Field of Classification Search** ..... D12/169,  
D12/196, 90-92; 293/102, 105, 113, 115,  
293/117, 120; 296/180.1, 180.2

See application file for complete search history.

(56) **References Cited**

**U.S. PATENT DOCUMENTS**

D588,959 S	3/2009	Bischoff et al.	
D592,567 S	5/2009	Saracoglu	
D600,176 S *	9/2009	Yamazaki et al. ....	D12/169
D600,603 S	9/2009	Di Buduo	
D614,534 S *	4/2010	Weaver .....	D12/90
D614,535 S *	4/2010	Park et al. ....	D12/92

**OTHER PUBLICATIONS**

U.S. Appl. No. 29/316,000, filed Aug. 13, 2009; first named inventor:  
Matthew Weaver.

\* cited by examiner

*Primary Examiner*—Melody N Brown

(74) *Attorney, Agent, or Firm*—Fross Zelnick Lehrman &  
Zissu, P.C.; Lawrence E. Apolzon, Esq.

(57) **CLAIM**

The ornamental design for a rear bumper for automobile, as  
shown and described.

**DESCRIPTION**

FIG. 1 is a perspective view of the front, right side and top of  
a rear bumper for automobile showing our new design;

FIG. 2 is a perspective view of the front, left side and bottom  
thereof;

FIG. 3 is a front view thereof;

FIG. 4 is a rear view thereof;

FIG. 5 is a left side view thereof;

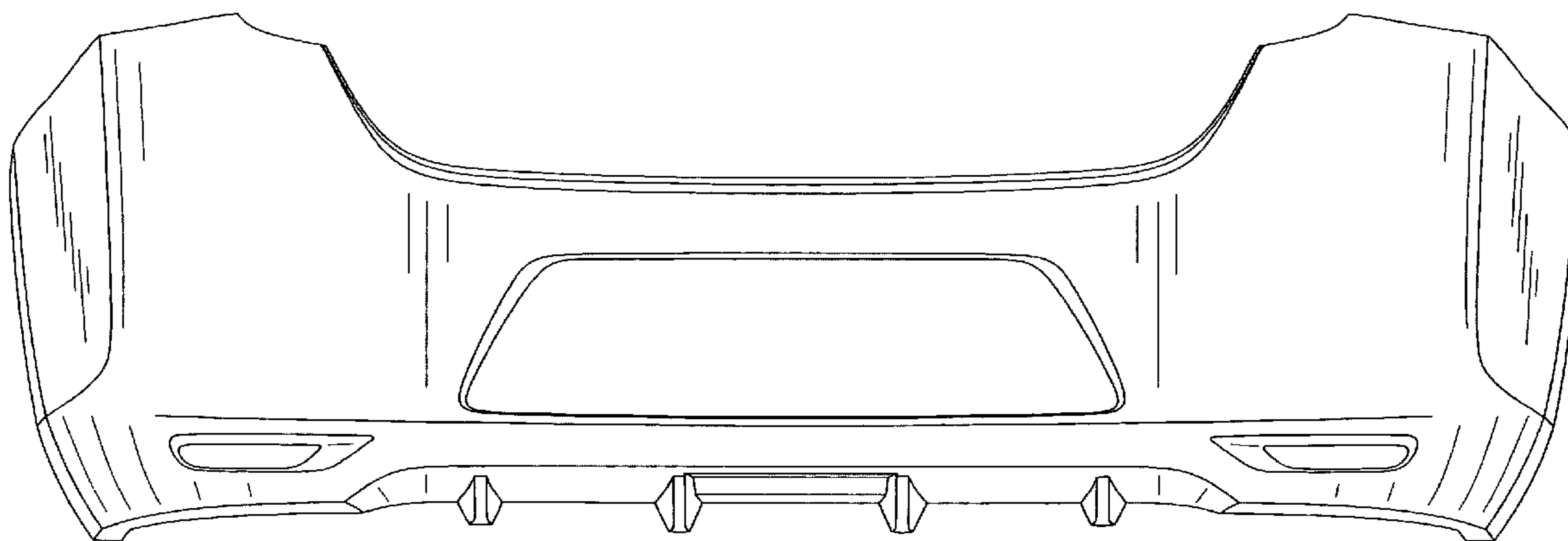
FIG. 6 is a right side view thereof;

FIG. 7 is a top plan view thereof; and,

FIG. 8 is a bottom view thereof.

The elements shown in broken lines are of illustrative pur-  
poses only and form no part of the claimed design.

**1 Claim, 7 Drawing Sheets**



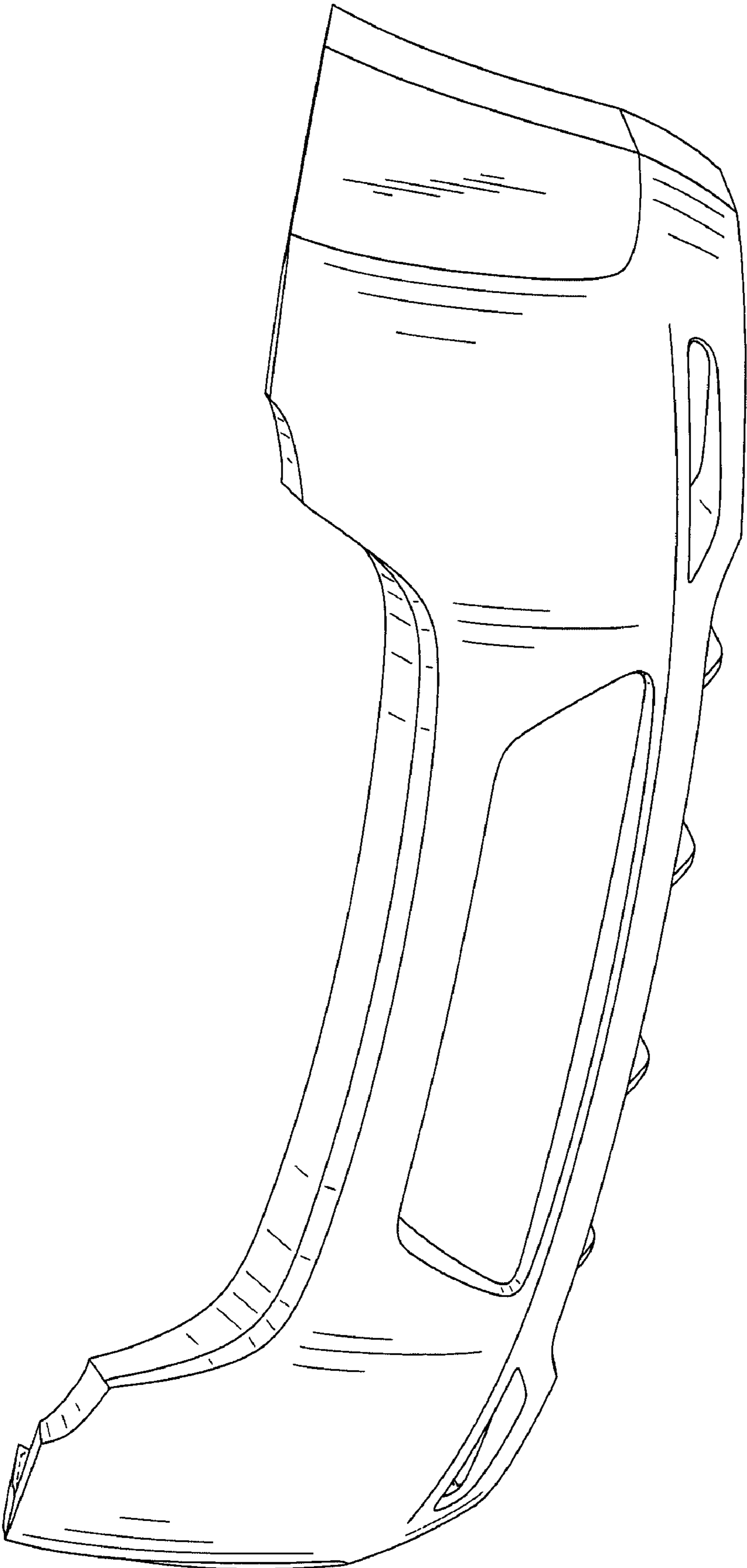


FIG. 1

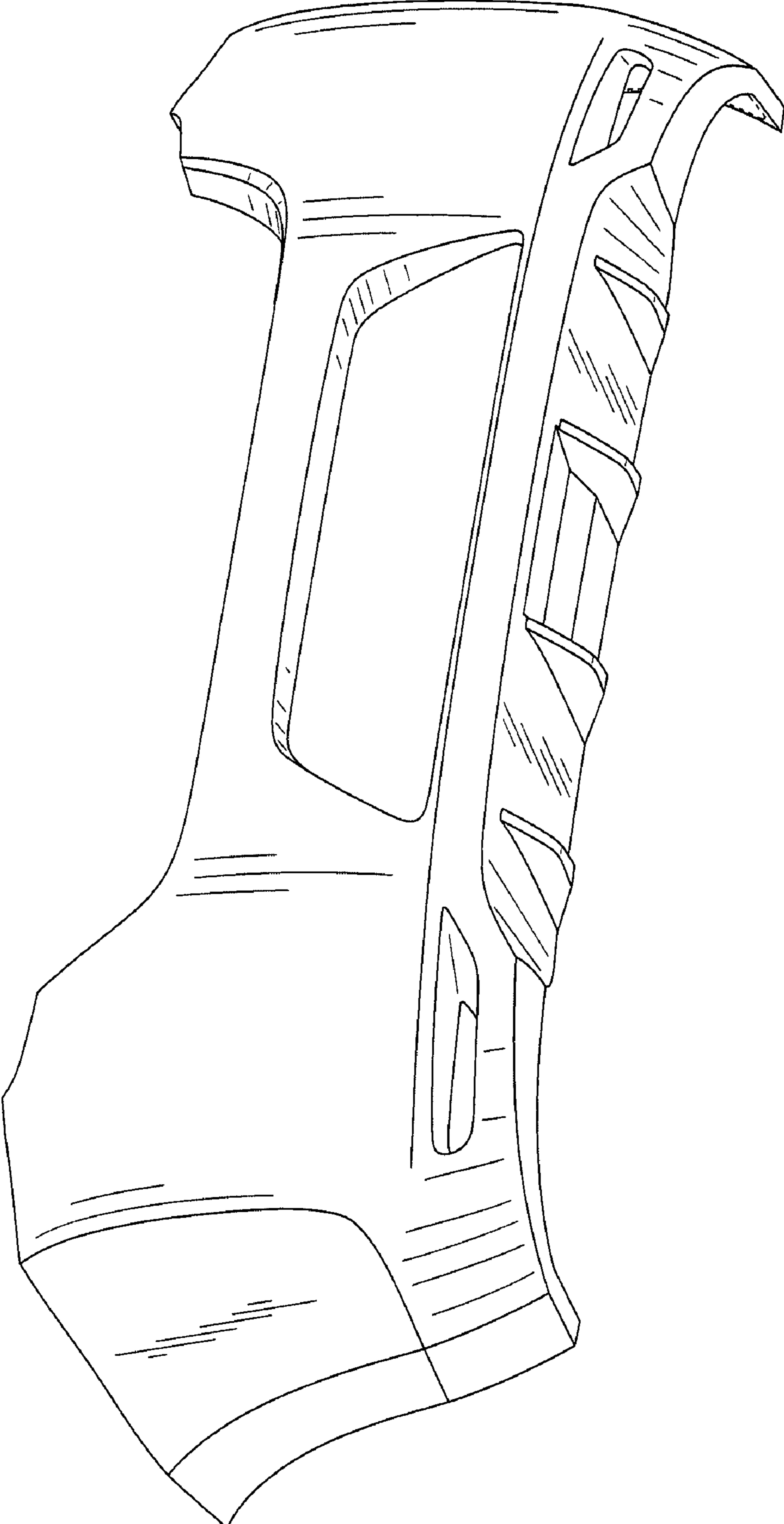


FIG. 2

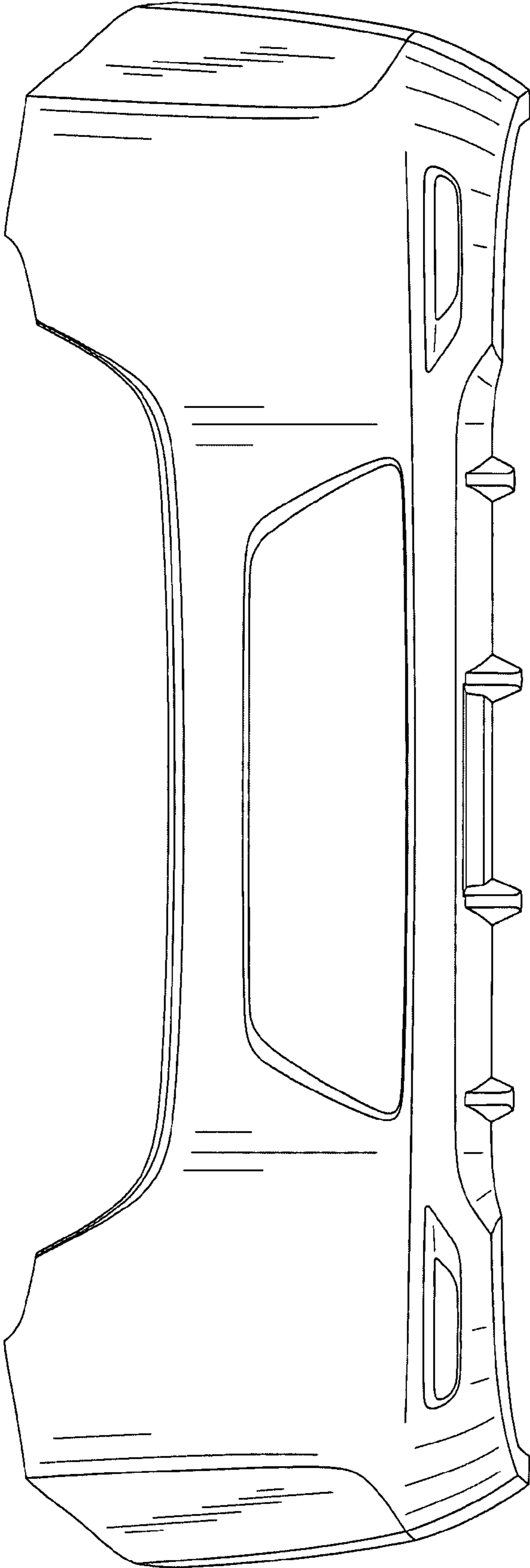


FIG. 3

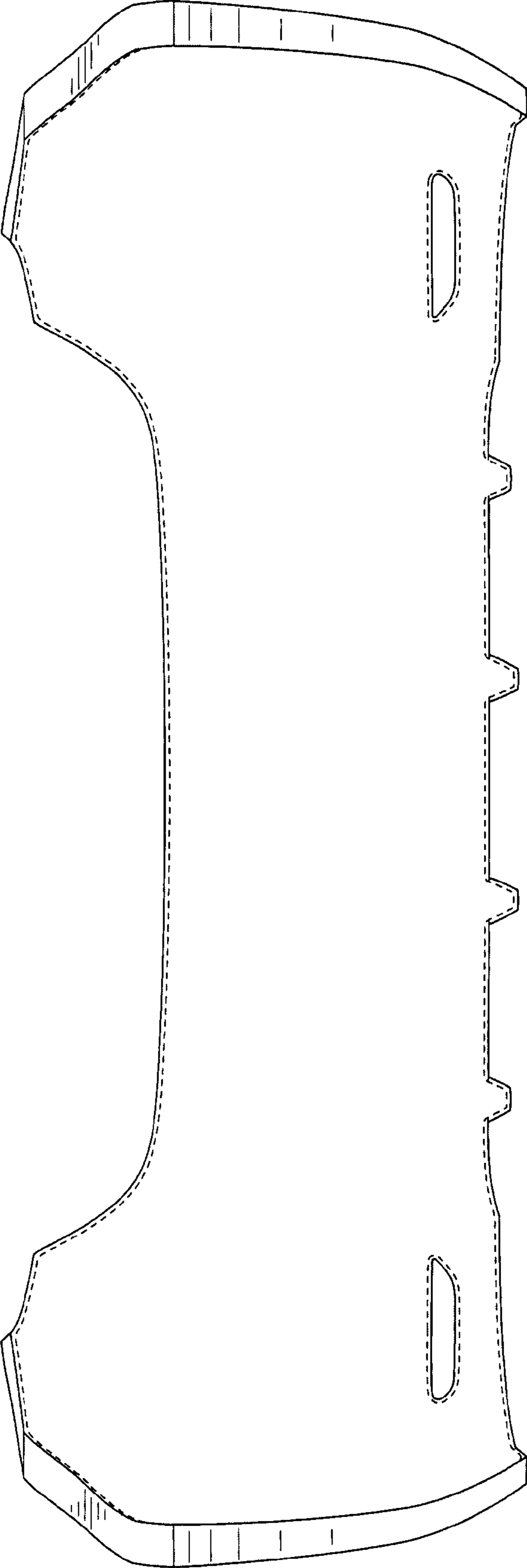
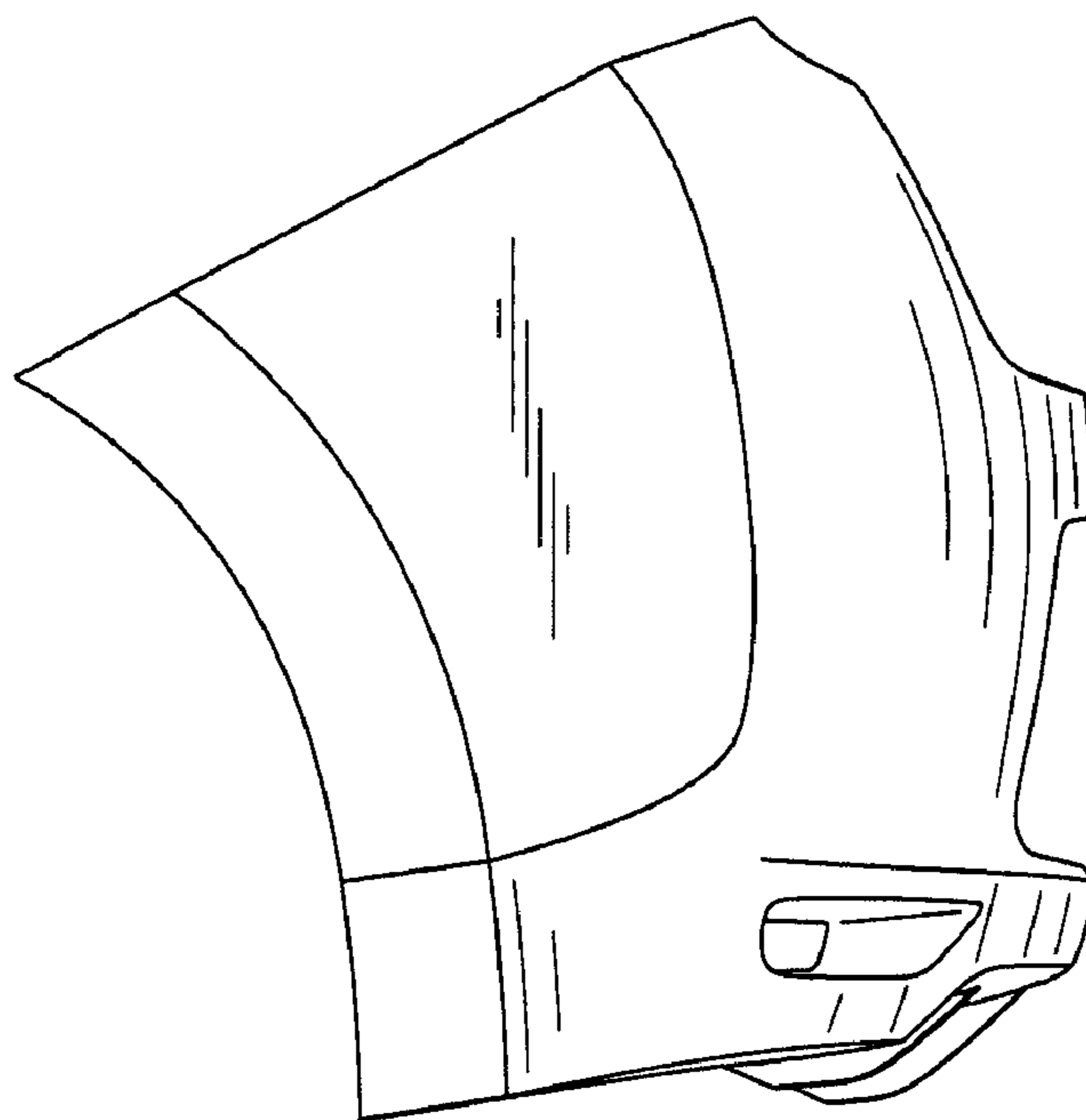
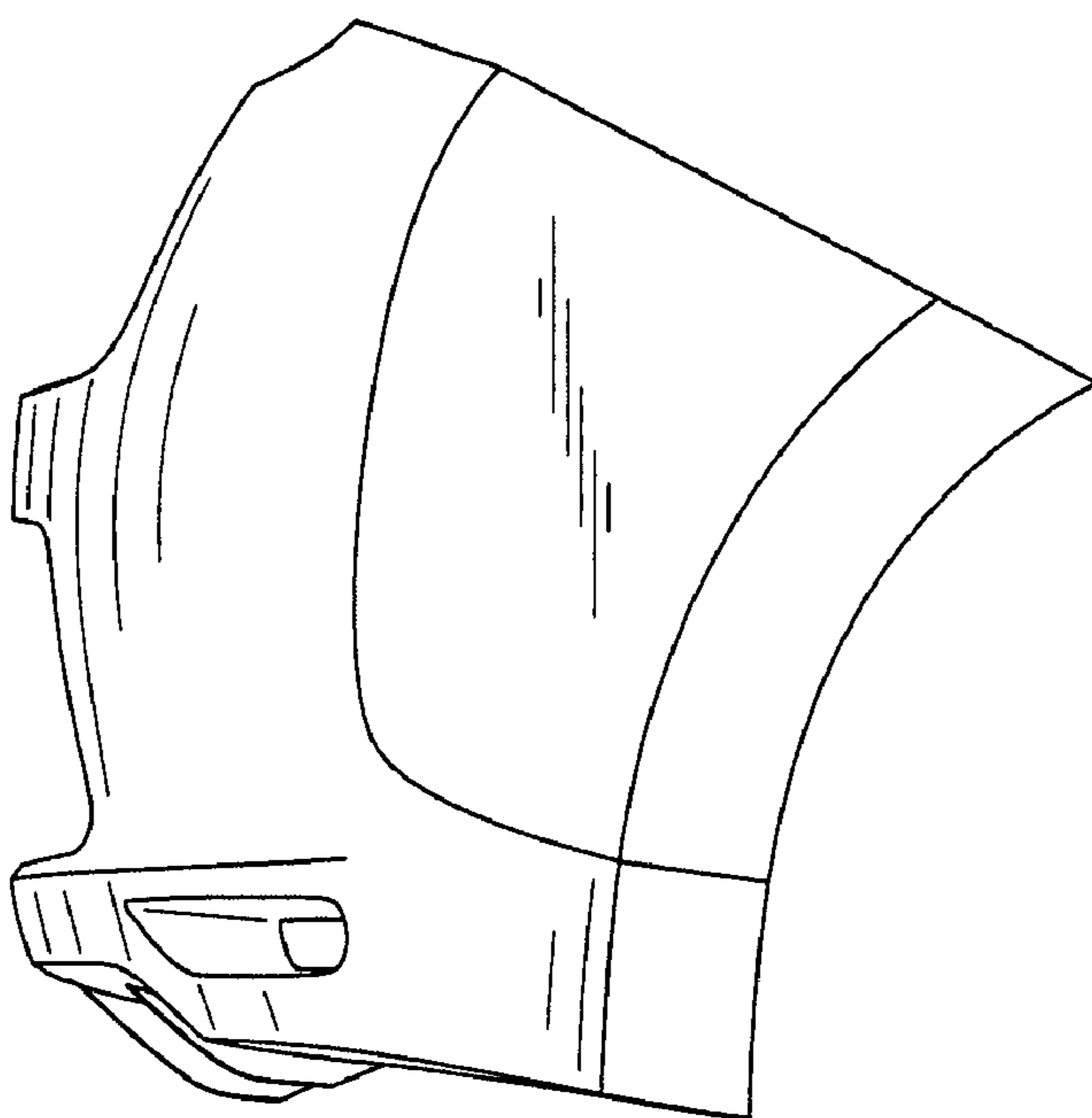


FIG. 4



**FIG. 5**



**FIG. 6**

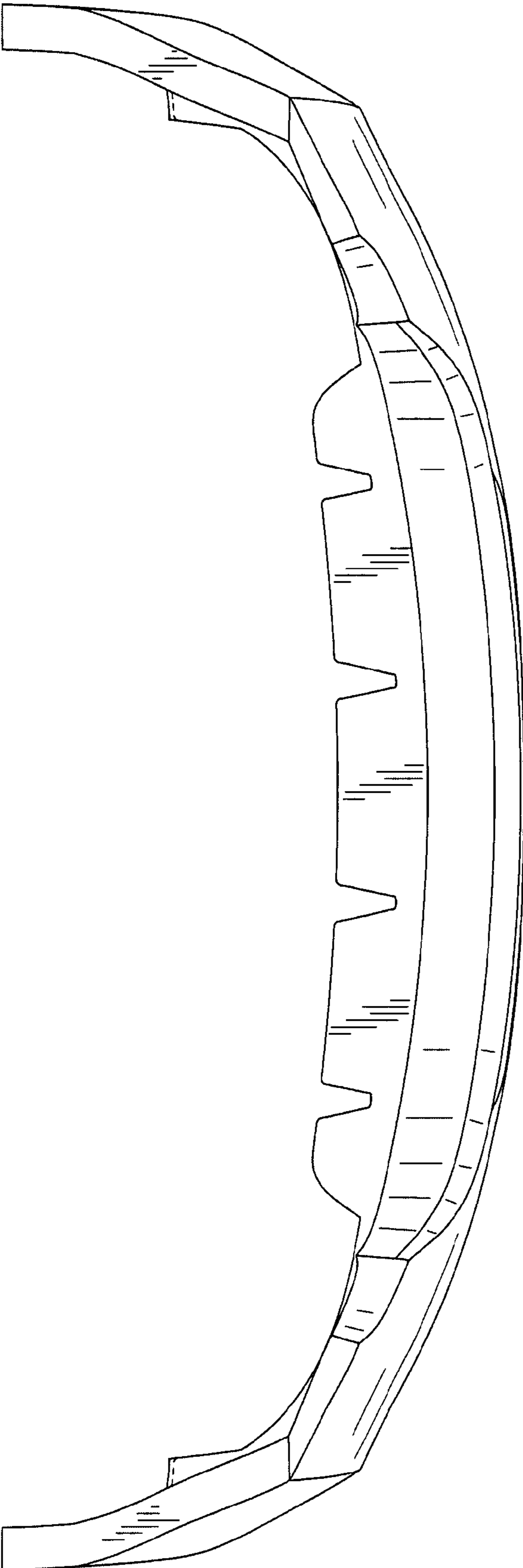


FIG. 7



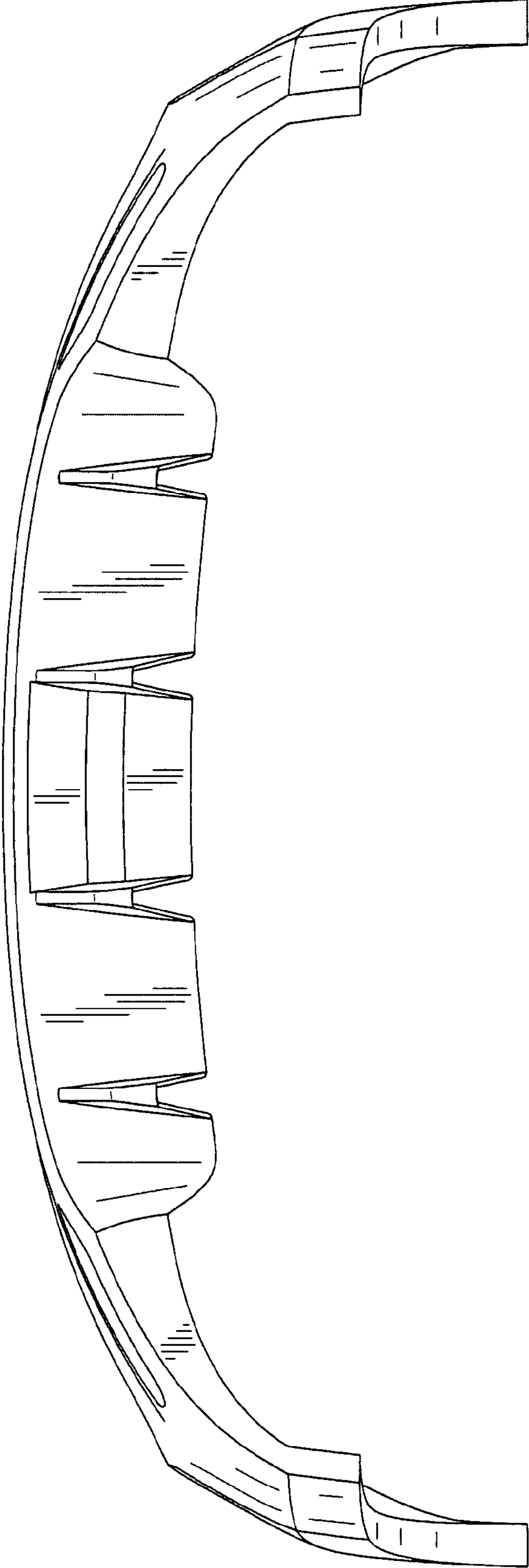


FIG. 8