



US00D626038S

(12) **United States Design Patent**
Li

(10) **Patent No.:** **US D626,038 S**

(45) **Date of Patent:** **** Oct. 26, 2010**

(54) **TRICYCLE**

(76) **Inventor:** **Ying-Yi Li**, No. 72, Chaoguei Rd., Situn District, Taichung City 407 (TW)

(**) **Term:** **14 Years**

(21) **Appl. No.:** **29/335,261**

(22) **Filed:** **Apr. 12, 2009**

(51) **LOC (9) Cl.** **12-11**

(52) **U.S. Cl.** **D12/112**

(58) **Field of Classification Search** D12/111,
D12/112; 280/202, 271, 281.1, 288.1, 282,
280/211, 259, 260, 261, 266, 270; D21/435;
D6/354, 378, 380; 297/195.1, 200, 219.11,
297/284.4, 452.1, 452.2, 452.32, 452.35,
297/452.48, 452.62, 215.1–215.15, DIG. 1,
297/DIG. 2, DIG. 8

See application file for complete search history.

(56) **References Cited**

U.S. PATENT DOCUMENTS

5,568,935 A * 10/1996 Mason 280/282
D406,471 S * 3/1999 Trotter D6/354
D429,906 S * 8/2000 Hansen D6/354
D516,962 S * 3/2006 Oosterveer D12/112

D517,453 S * 3/2006 Oosterveer D12/112
D518,417 S * 4/2006 Oosterveer D12/112
7,552,934 B2 * 6/2009 Lee et al. 280/266
7,661,690 B2 * 2/2010 McClure 280/259

* cited by examiner

Primary Examiner—Susan M Lee

Assistant Examiner—Linda G. Brooks

(74) *Attorney, Agent, or Firm*—Banger Shia

(57) **CLAIM**

I claim the ornamental design for a tricycle, as shown and described.

DESCRIPTION

FIG. 1 is a perspective view of a tricycle, showing my new design;

FIG. 2 is a front elevational view thereof;

FIG. 3 is a rear elevational view thereof;

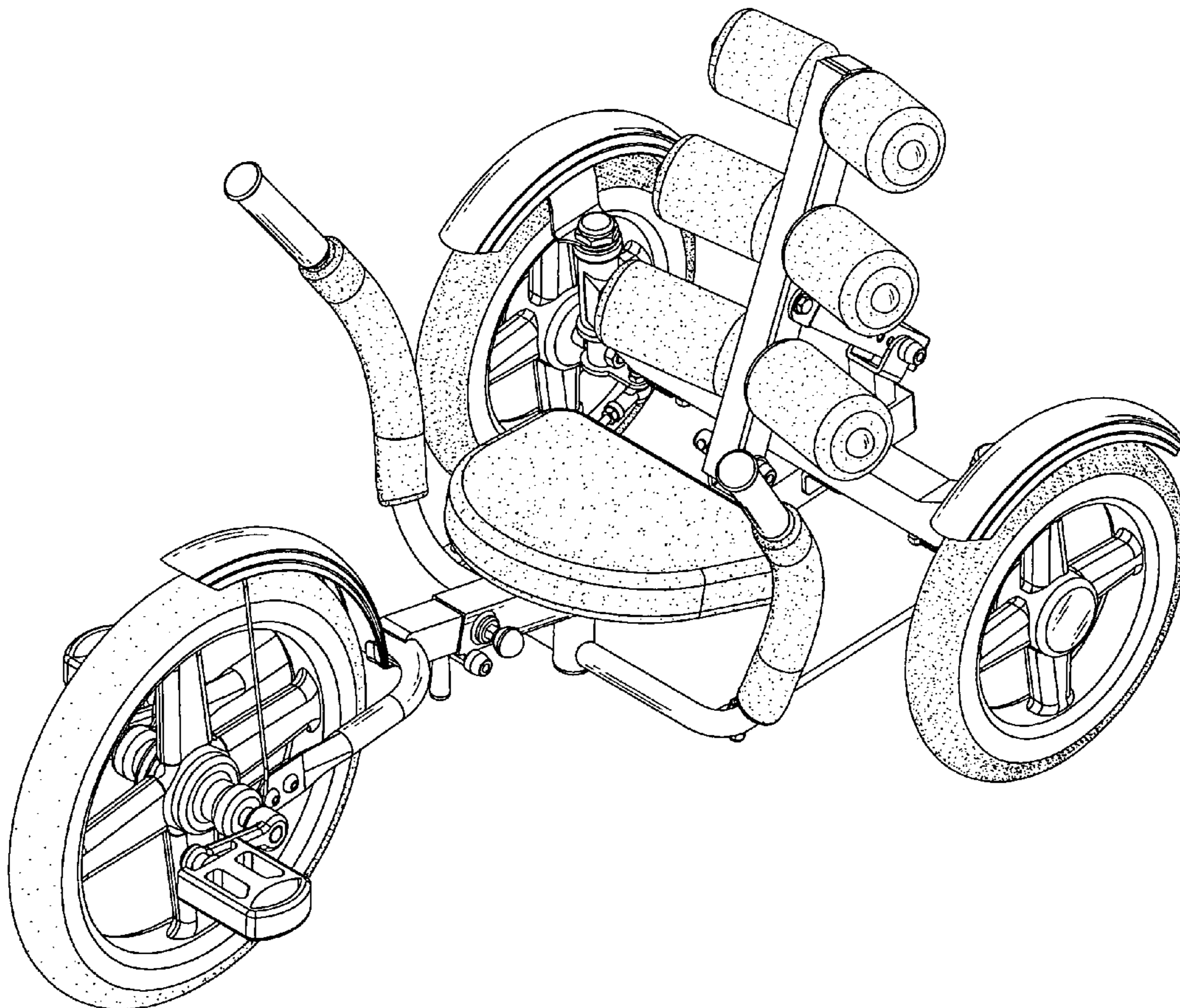
FIG. 4 is a left side elevational view thereof;

FIG. 5 is a right side elevational view thereof;

FIG. 6 is a top plan view thereof; and,

FIG. 7 is a bottom plan view thereof.

1 Claim, 7 Drawing Sheets



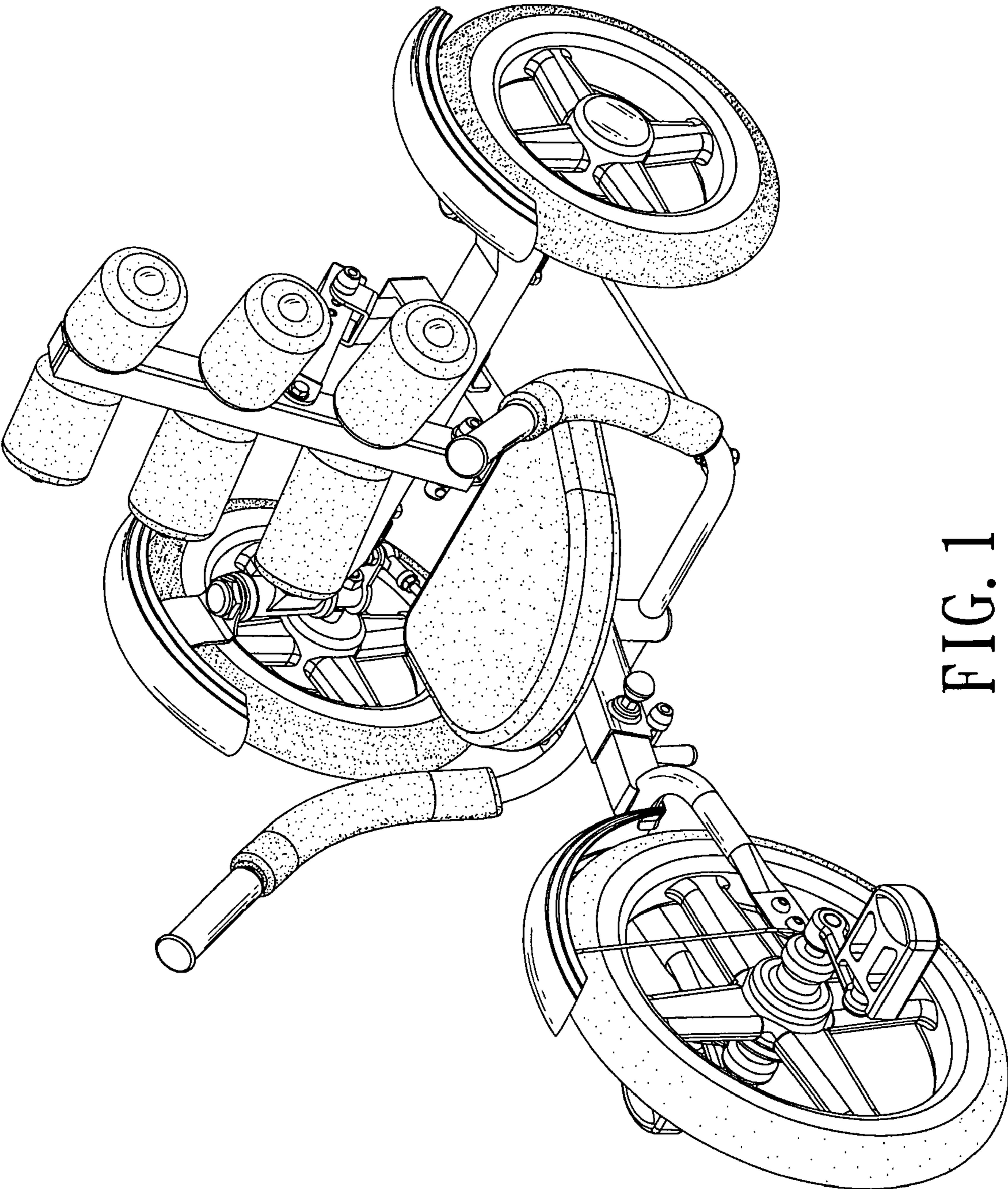


FIG. 1

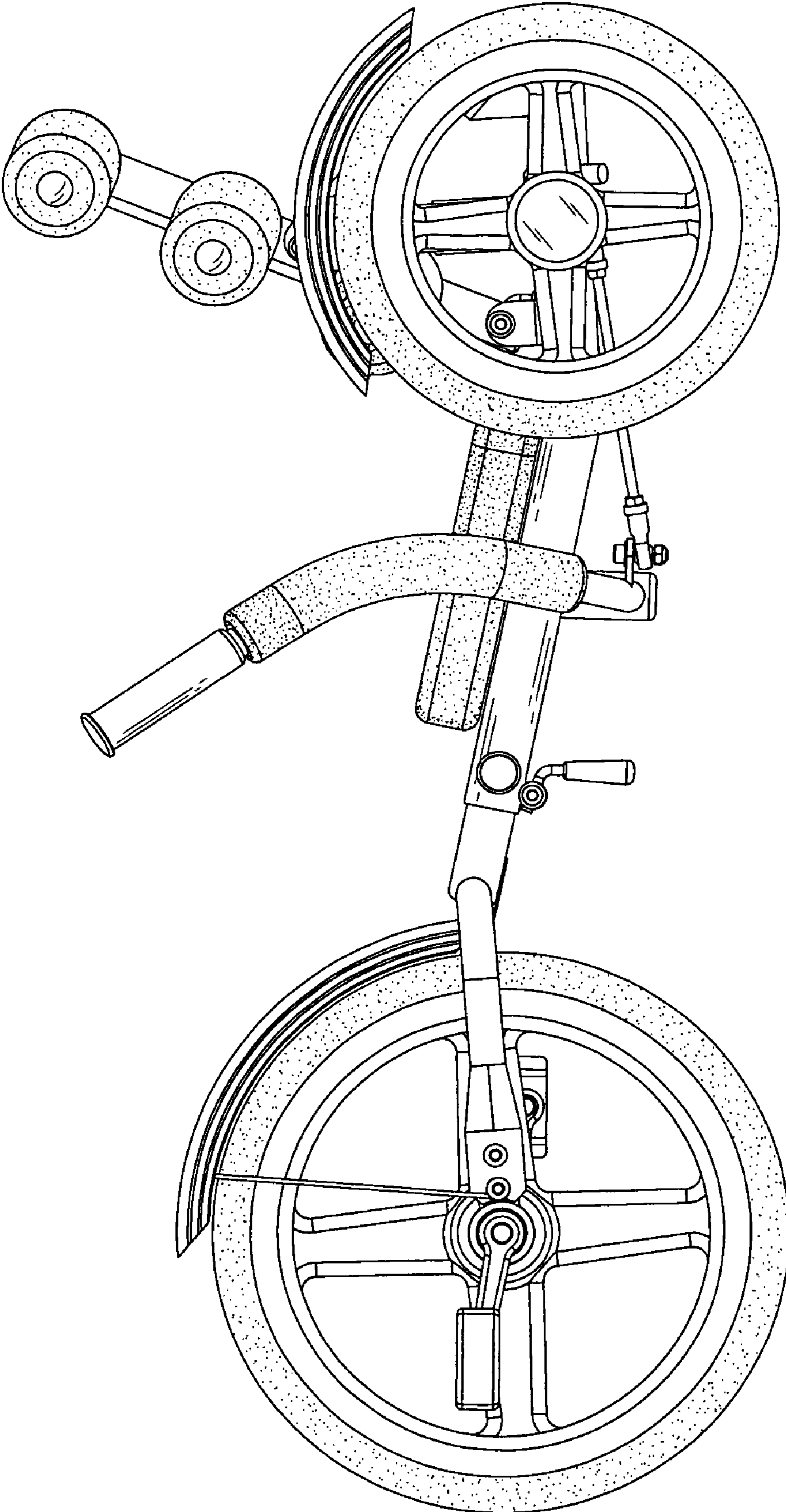


FIG. 2

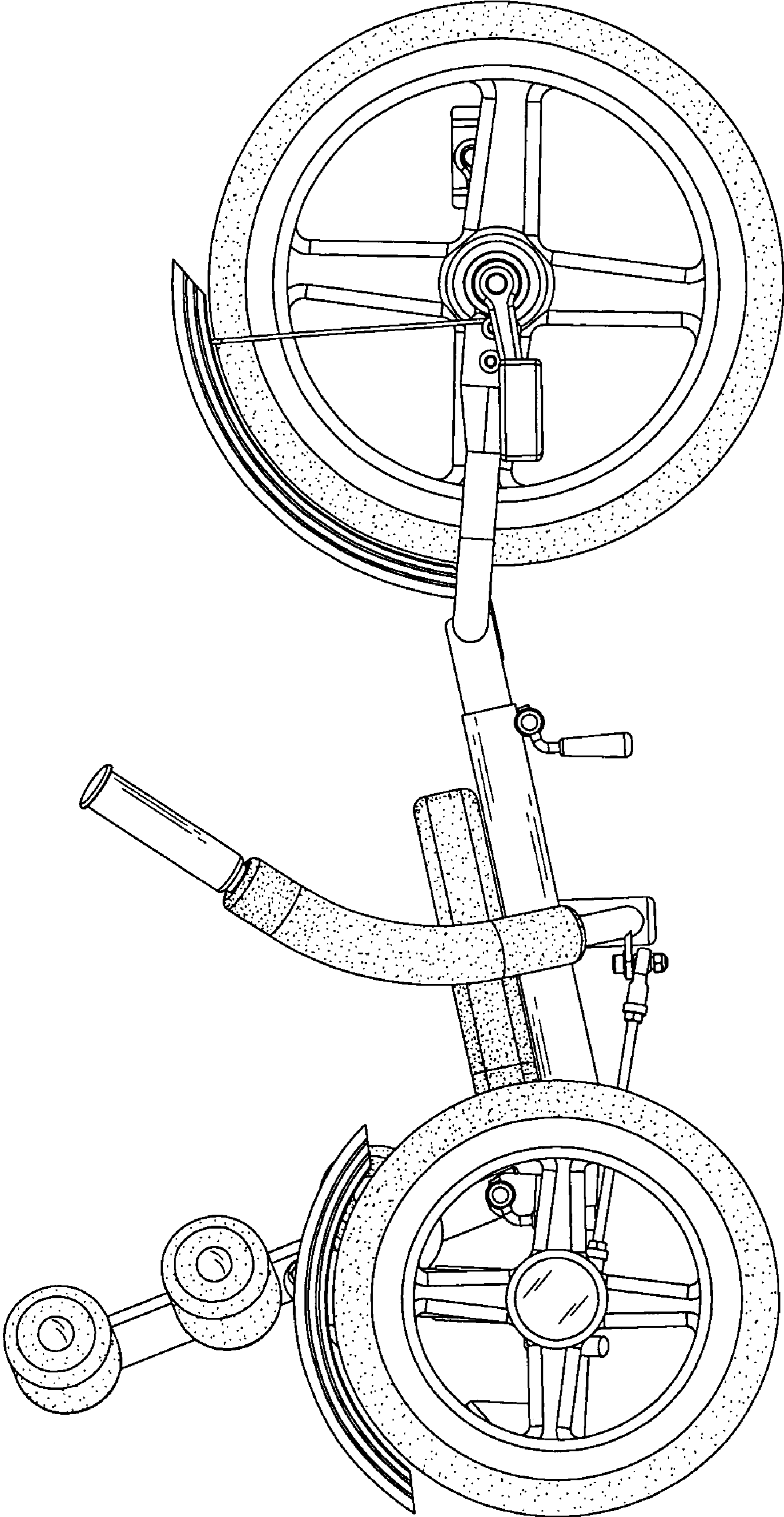


FIG. 3

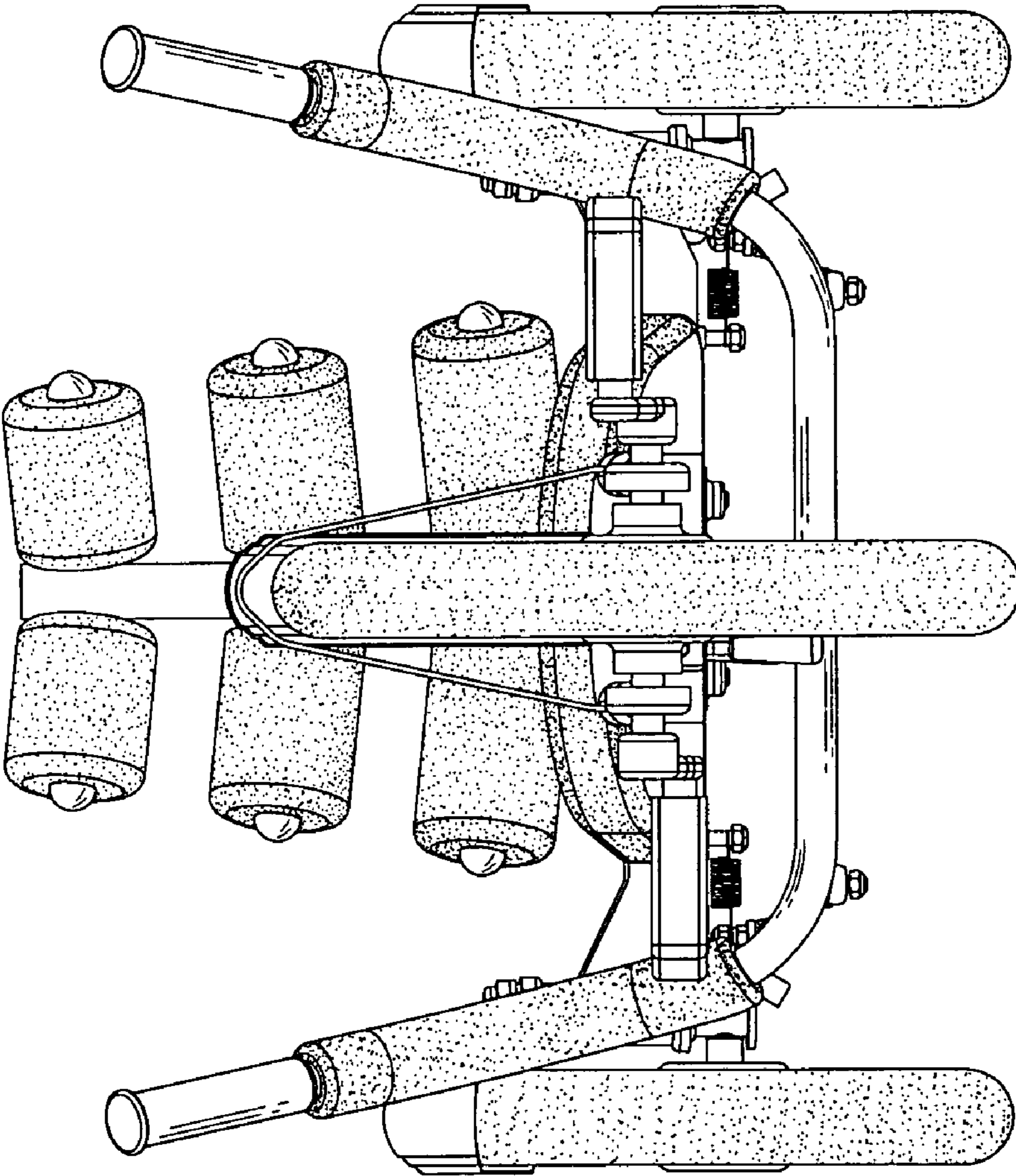


FIG. 4

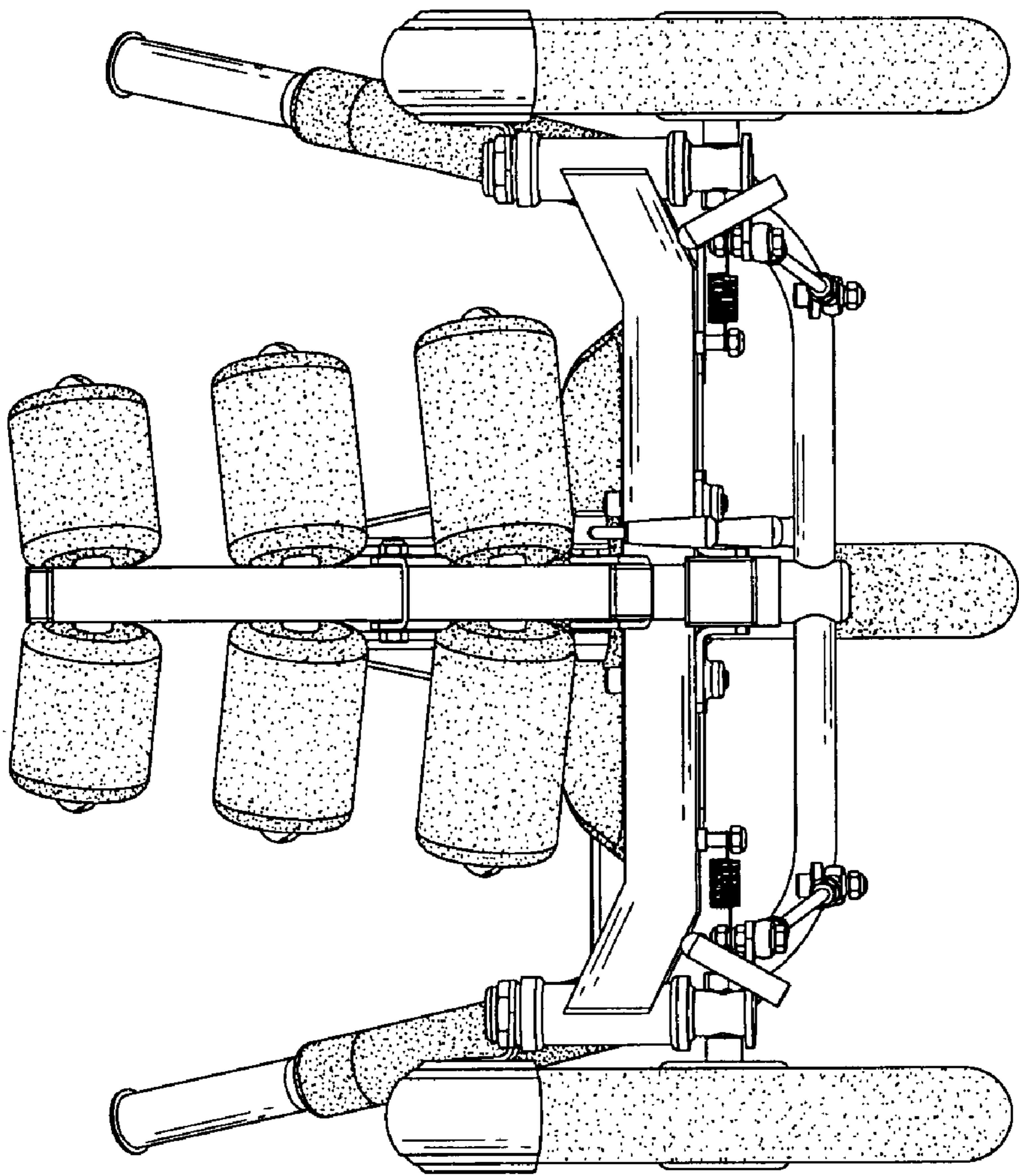


FIG. 5

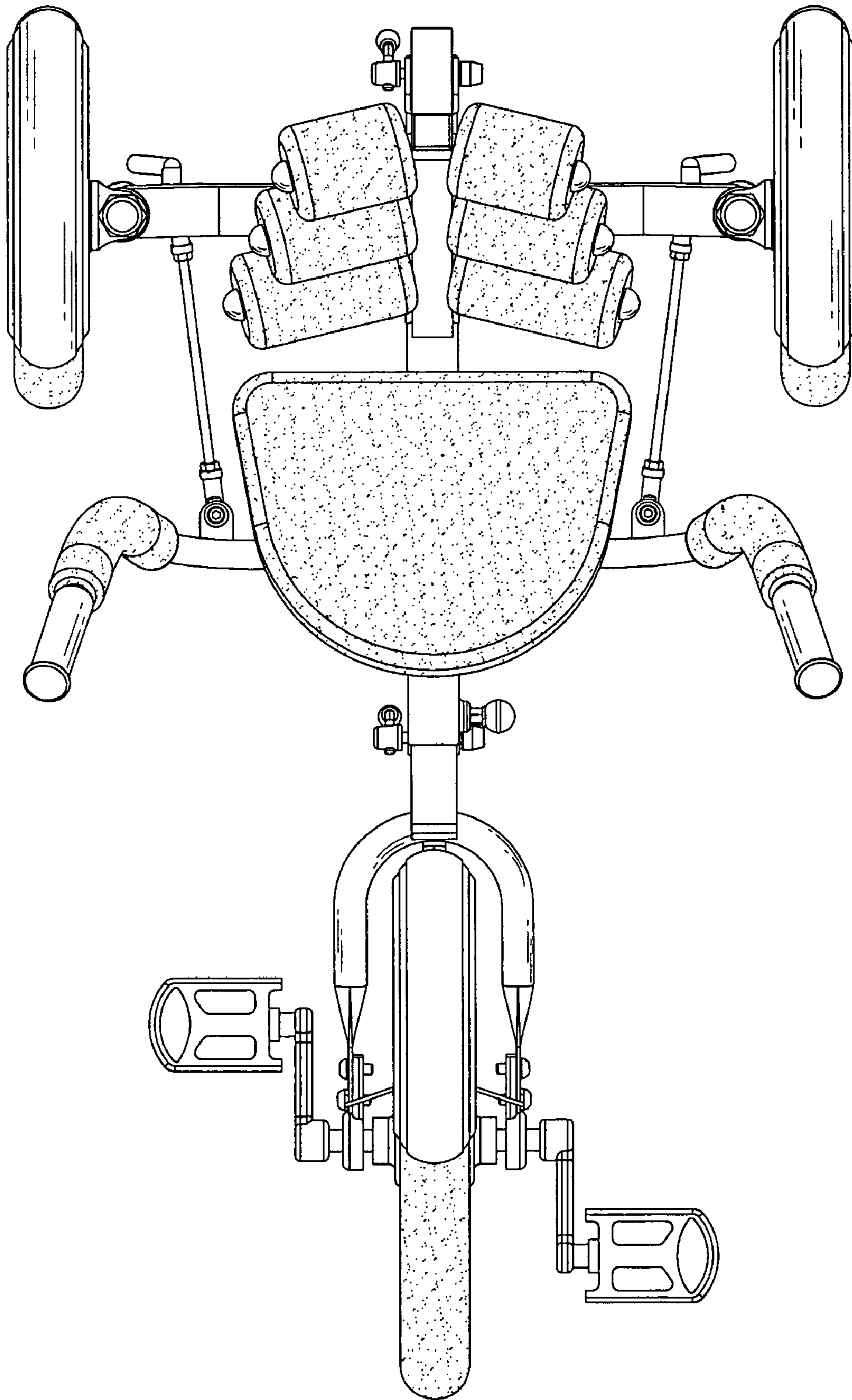


FIG. 6

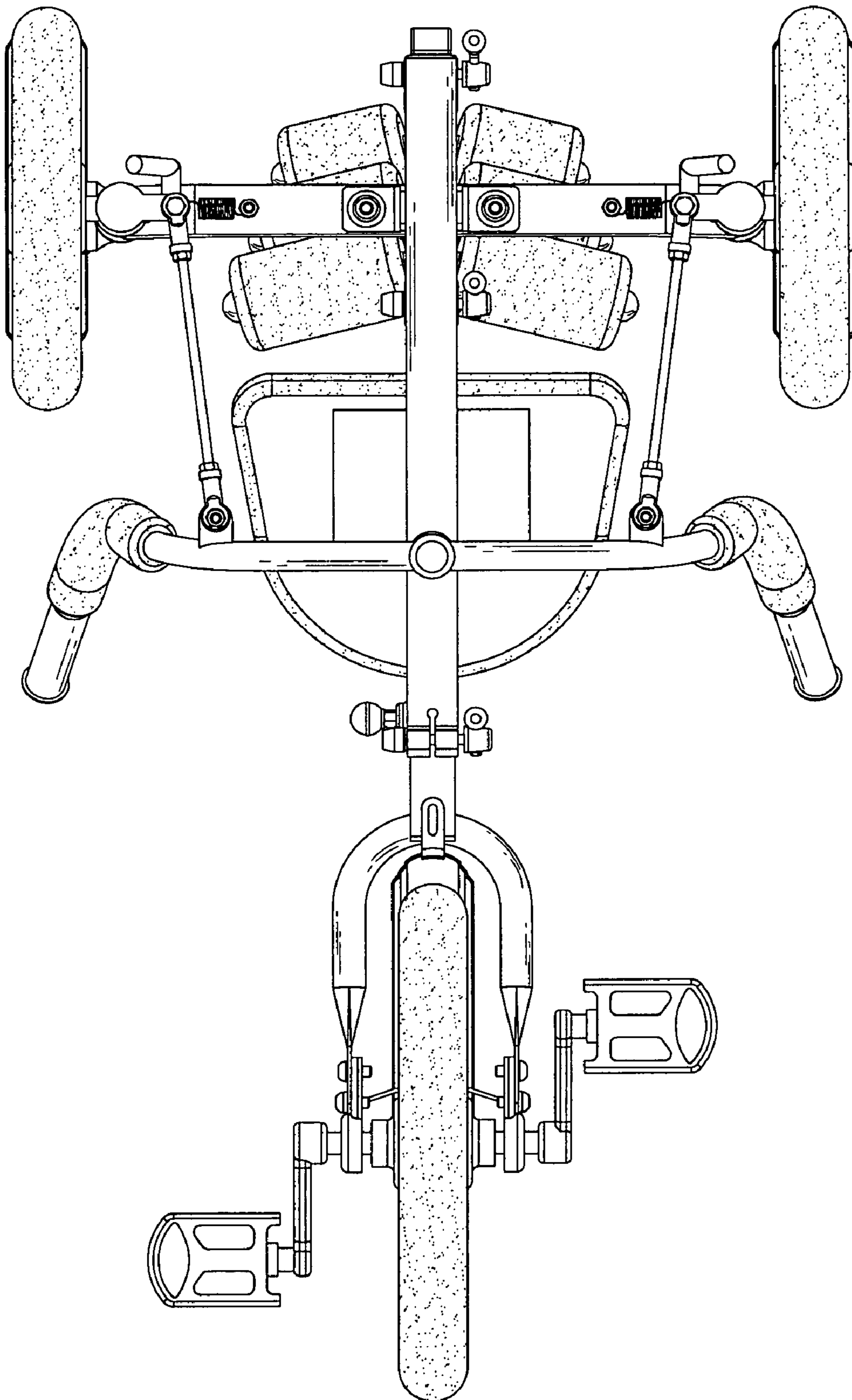


FIG. 7