



US00D626037S

(12) **United States Design Patent**  
**Thétard**

(10) **Patent No.:** **US D626,037 S**  
(45) **Date of Patent:** **\*\* Oct. 26, 2010**

(54) **FOLDING BICYCLE WITH ELECTRIC POWER SUPPLY**

D498,438 S \* 11/2004 Ying ..... D12/111  
7,055,842 B1 \* 6/2006 Lin ..... 280/278  
7,341,268 B2 \* 3/2008 Lin ..... 280/278  
7,568,714 B2 \* 8/2009 Sasnowski et al. .... 280/205

(75) Inventor: **Etienne Thétard**, Cambiano (IT)

(73) Assignee: **SINBAR Societe a Responsabilite Limitee** (FR)

(\*\*) Term: **14 Years**

(21) Appl. No.: **29/315,908**

(22) Filed: **Aug. 4, 2009**

(30) **Foreign Application Priority Data**

Feb. 4, 2009 (EM) ..... 001081616-0001

(51) **LOC (9) Cl.** ..... **12-11**

(52) **U.S. Cl.** ..... **D12/111**

(58) **Field of Classification Search** ..... D12/111,  
D12/110; 180/65.1-65.6, 205-207, 219,  
180/220; 280/274, 281.1, 275-280, 288.1-288.3,  
280/283-288

See application file for complete search history.

(56) **References Cited**

**U.S. PATENT DOCUMENTS**

6,011,366 A \* 1/2000 Murakami et al. .... 180/220  
6,131,683 A \* 10/2000 Wada ..... 180/220  
D434,349 S \* 11/2000 Currie et al. .... D12/111

\* cited by examiner

*Primary Examiner*—Philip S Hyder

*Assistant Examiner*—Linda G. Brooks

(74) *Attorney, Agent, or Firm*—Hiscock & Barclay, LLP

(57) **CLAIM**

The ornamental design for a folding bicycle with electric power supply, as shown and described.

**DESCRIPTION**

FIG. 1 is a front facing view of a folding bicycle with electric power supply, showing my new design;

FIG. 2 is a right side elevational view thereof;

FIG. 3 is a left side elevational view thereof;

FIG. 4 is a top plan view thereof;

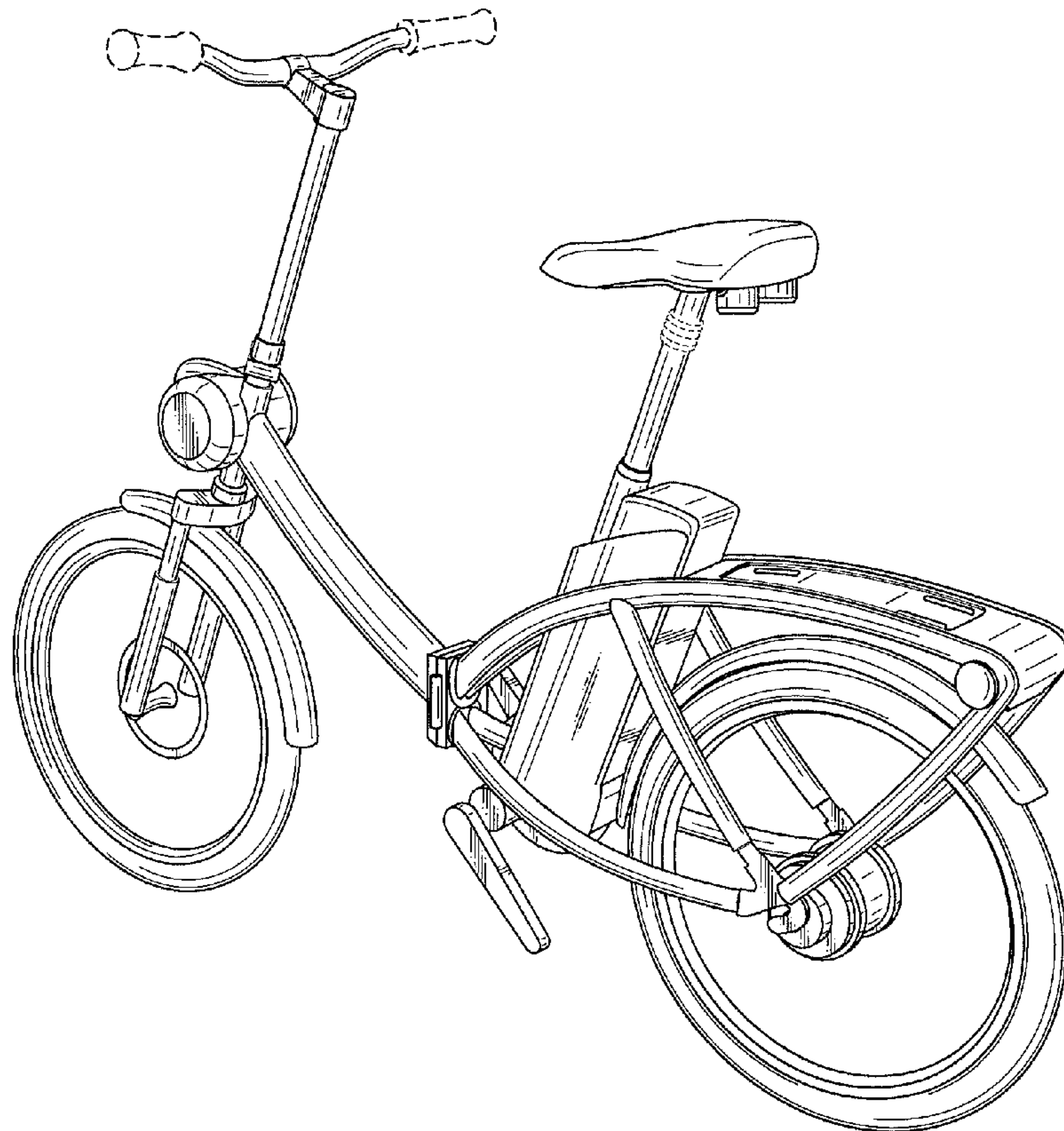
FIG. 5 is a rear view thereof;

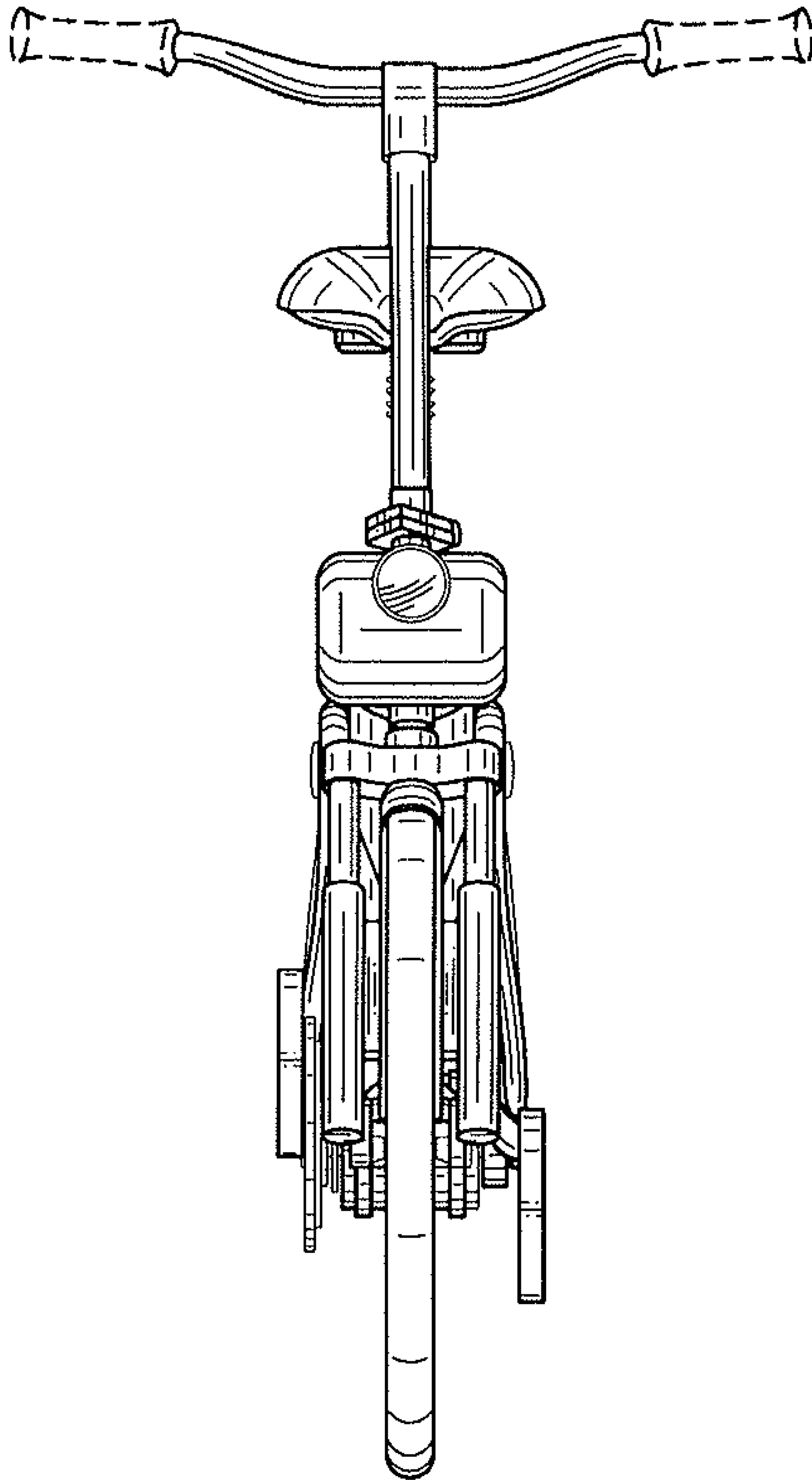
FIG. 6 is a front perspective view thereof; and,

FIG. 7 is a rear perspective view thereof.

The broken lines were provided for purposes of environment and form no part of the claim design.

**1 Claim, 7 Drawing Sheets**





**FIG. 1**

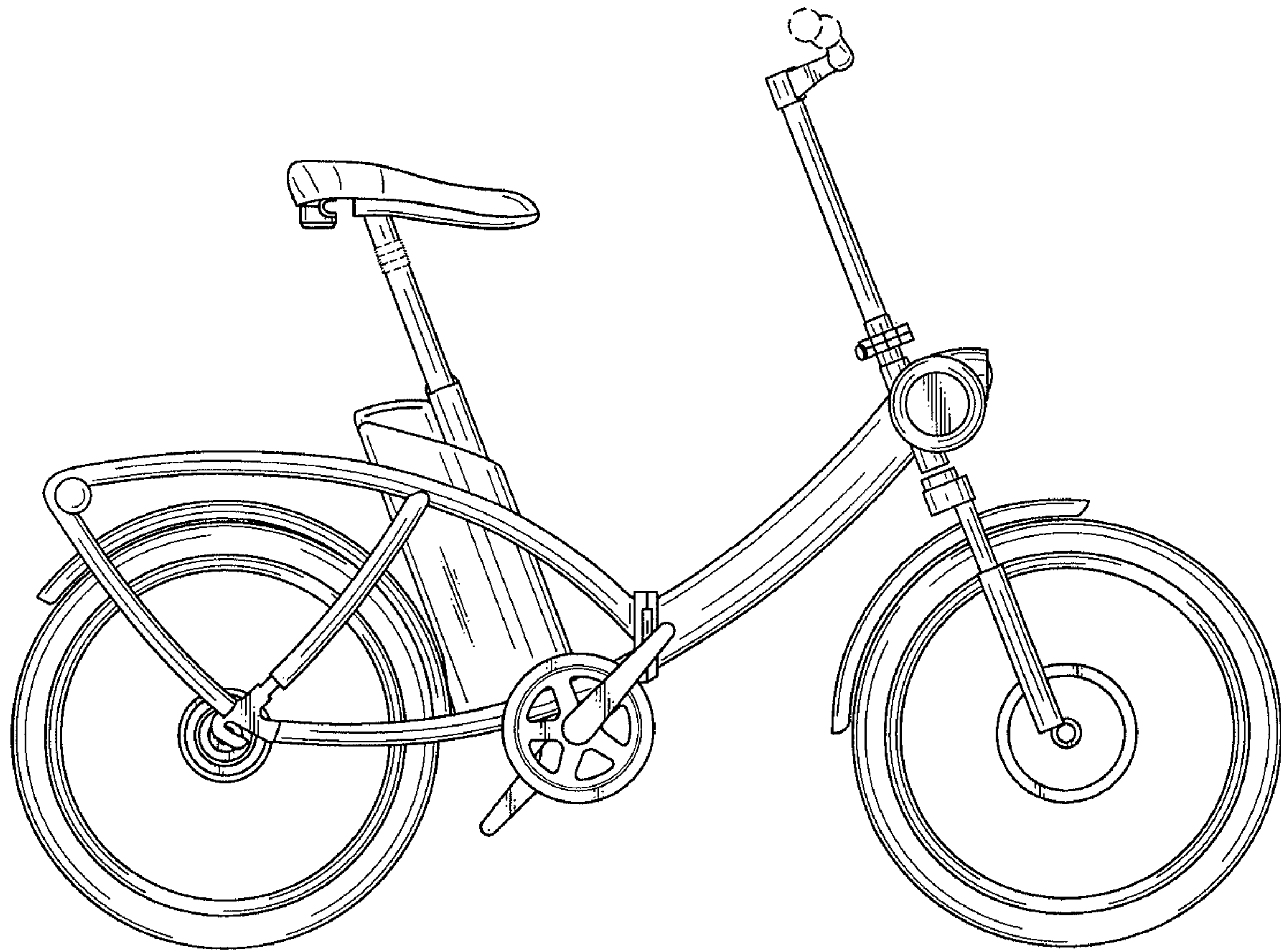


FIG.2

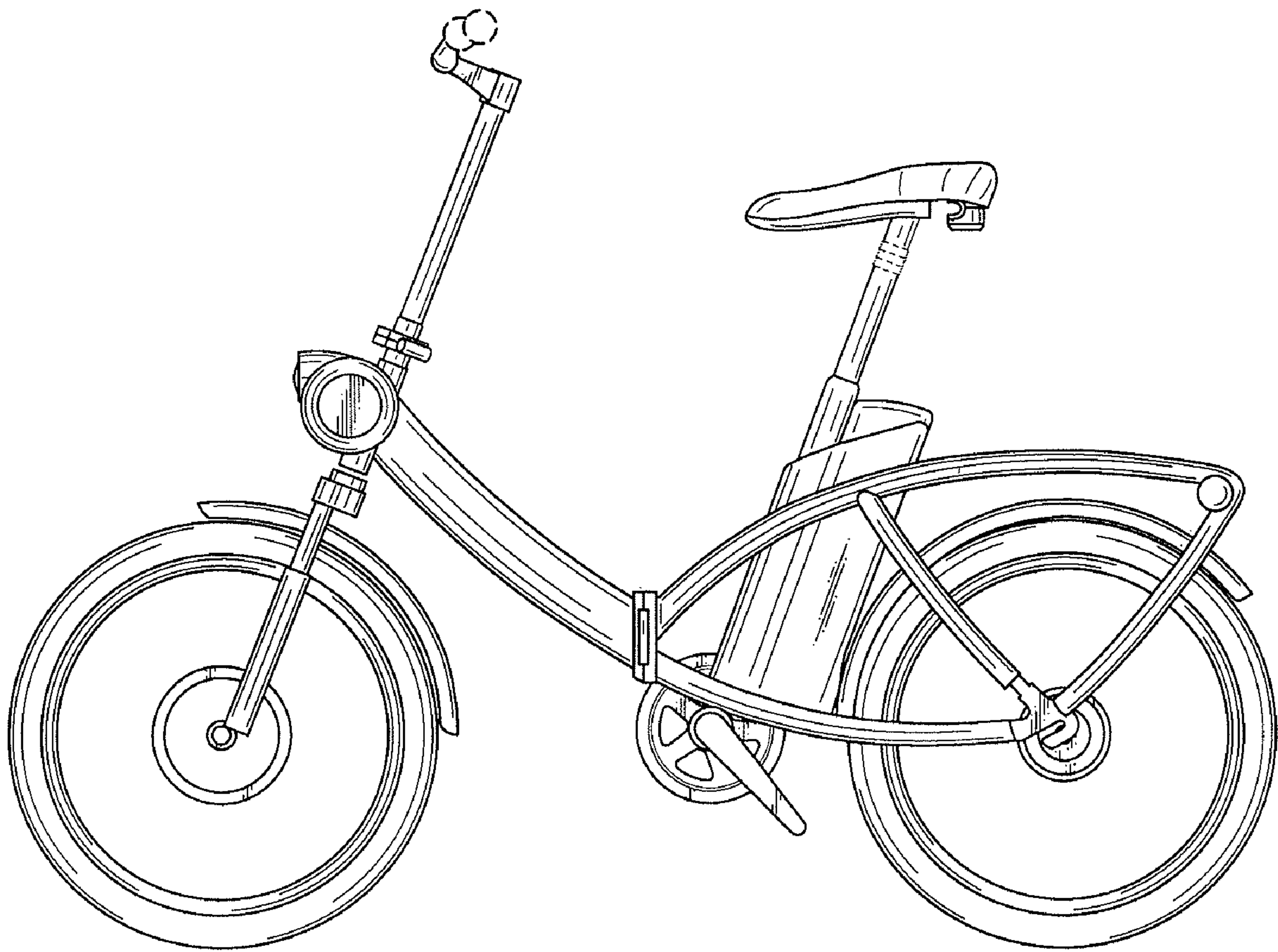


FIG.3



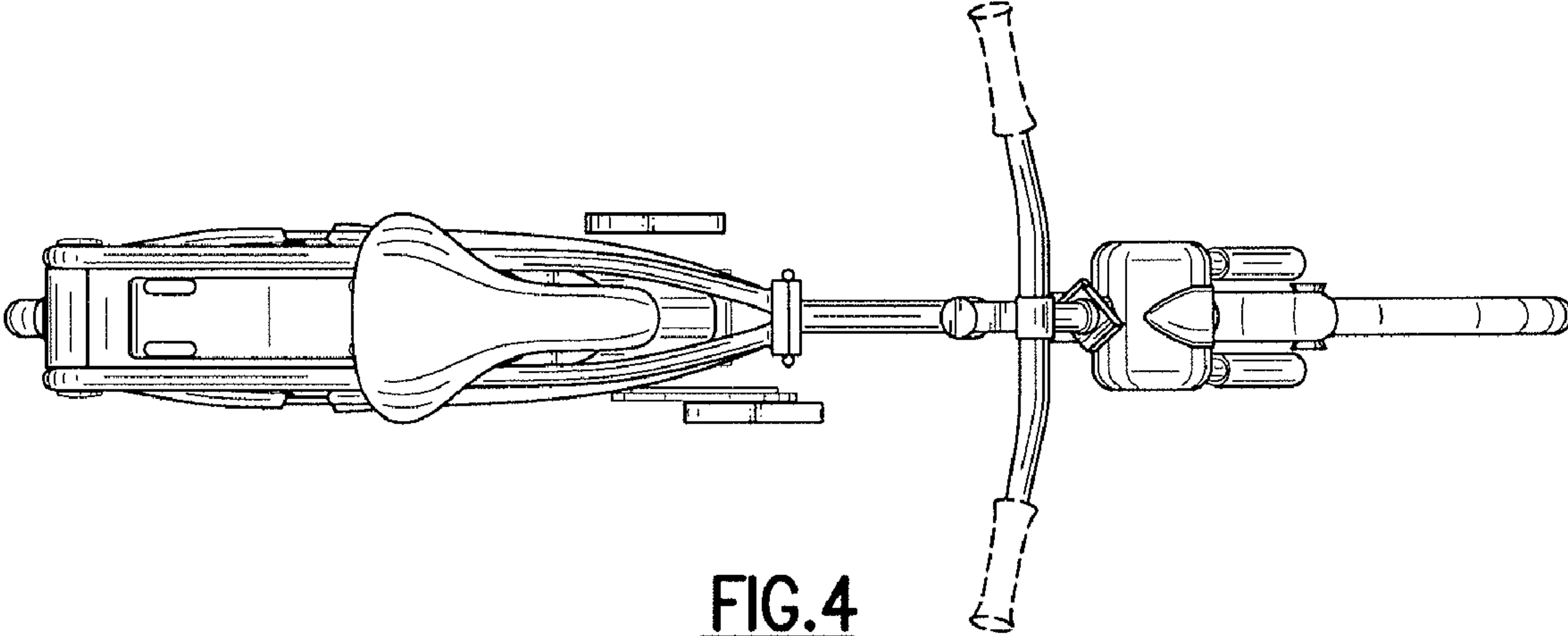
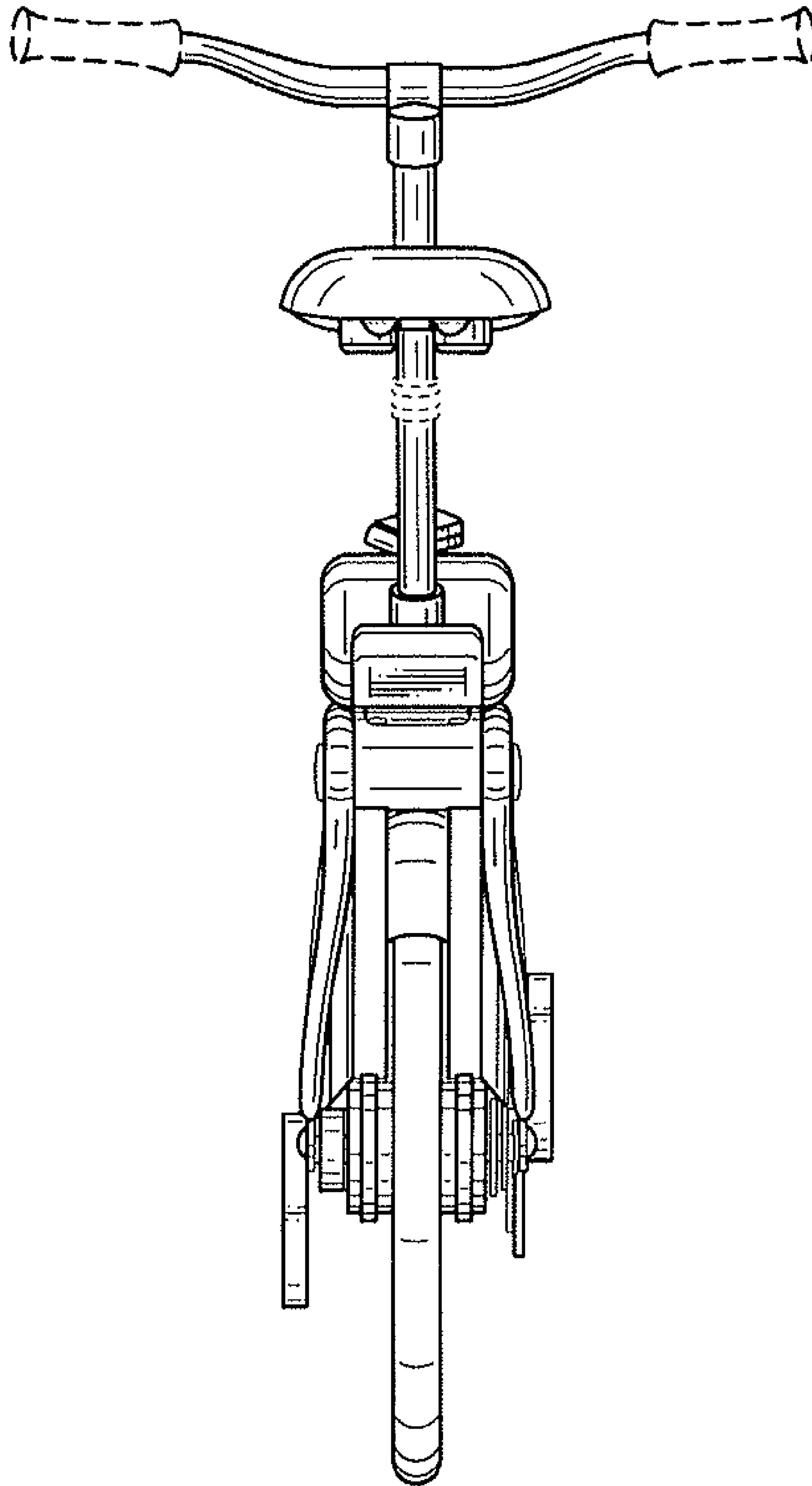


FIG.4



**FIG.5**

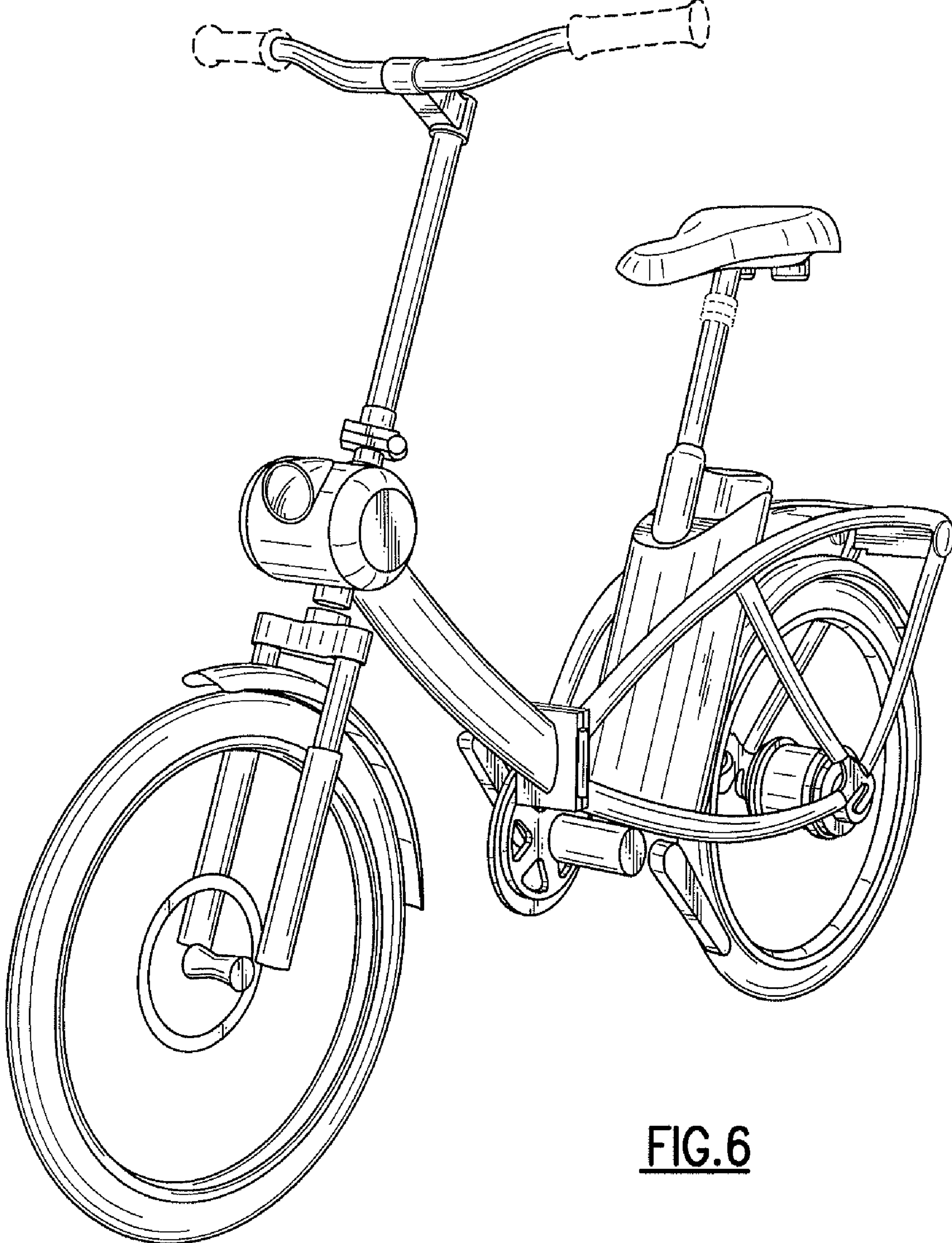


FIG. 6

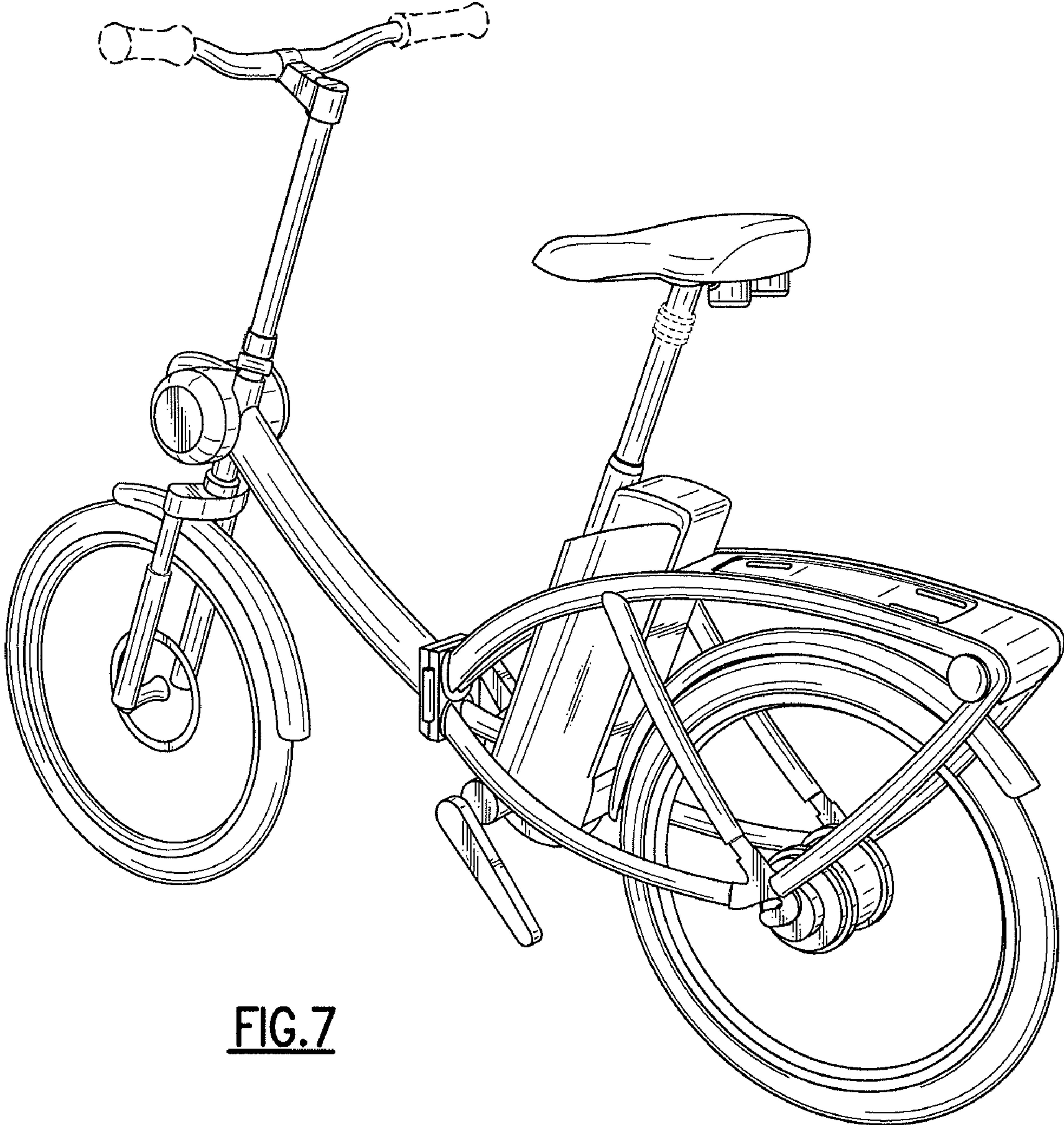


FIG. 7