



US00D626036S

(12) **United States Design Patent**
Yamazumi et al.

(10) **Patent No.:** **US D626,036 S**
(45) **Date of Patent:** **** Oct. 26, 2010**

(54) **MOTORCYCLE OR MOTORCYCLE
REPLICA**

D567,148 S * 4/2008 Inose et al. D12/110
D582,319 S 12/2008 Miwa et al.

(75) Inventors: **Hideaki Yamazumi**, Wako (JP); **Kanya Takigawa**, Wako (JP); **Asao Itaya**, Torrance, CA (US)

* cited by examiner

Primary Examiner—Philip S Hyder
Assistant Examiner—Linda G. Brooks

(73) Assignee: **Honda Motor Co., Ltd.**, Tokyo (JP)

(74) *Attorney, Agent, or Firm*—Birch, Stewart, Kolasch & Birch, LLP

(**) Term: **14 Years**

(57) **CLAIM**

(21) Appl. No.: **29/338,827**

The ornamental design for, a motorcycle or motorcycle replica, as shown and described.

(22) Filed: **Jun. 19, 2009**

(51) **LOC (9) Cl.** **12-11**

(52) **U.S. Cl.** **D12/110**

(58) **Field of Classification Search** D12/110;
180/219

See application file for complete search history.

DESCRIPTION

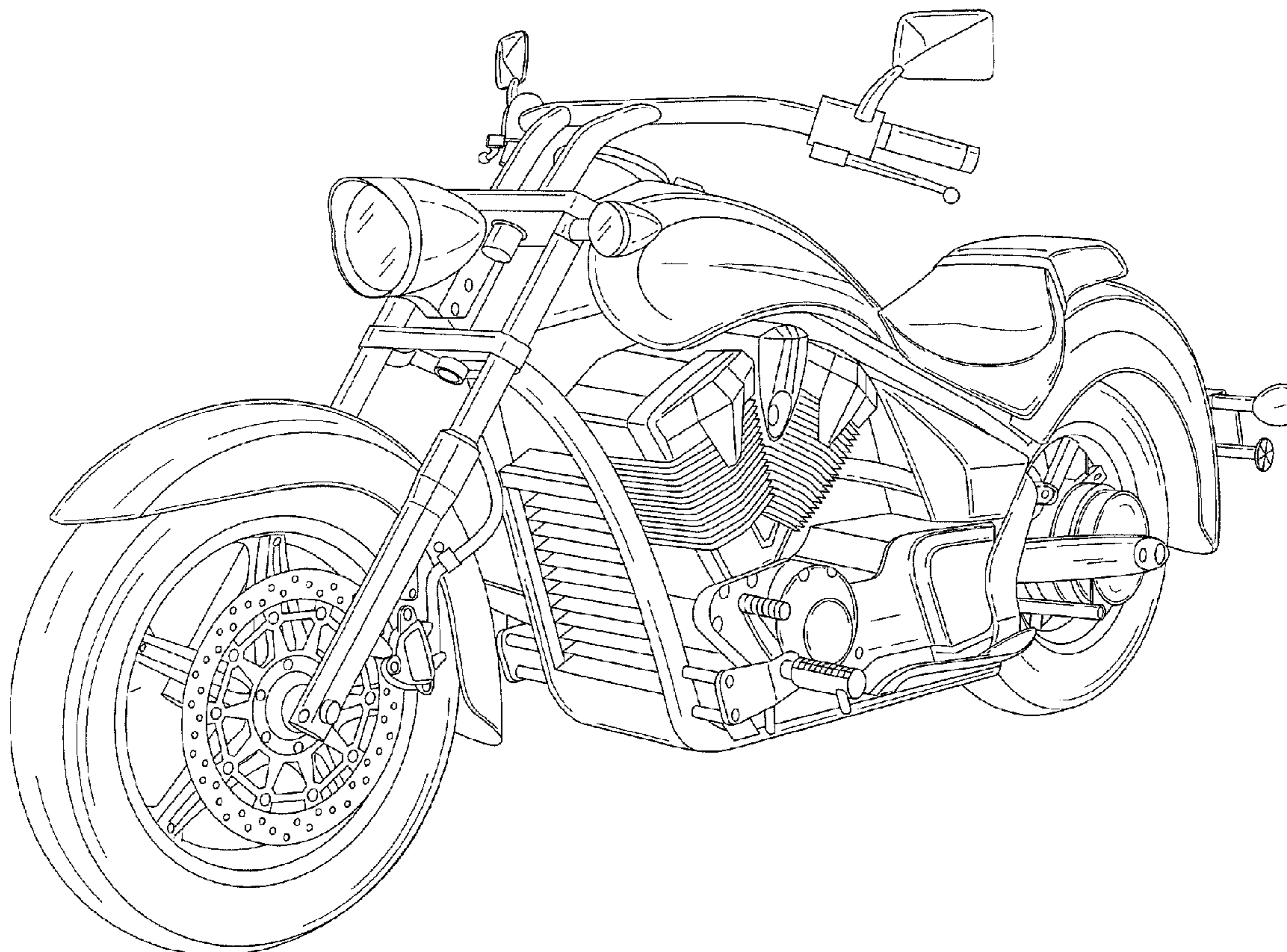
FIG. 1 is a front perspective view of a motorcycle or motorcycle replica showing our new design;
FIG. 2 is a rear perspective view thereof;
FIG. 3 is a front elevation view thereof;
FIG. 4 is a rear elevation view thereof;
FIG. 5 is a top plan view thereof;
FIG. 6 is a right side elevation view thereof; and,
FIG. 7 is a left side elevation view thereof.

(56) **References Cited**

U.S. PATENT DOCUMENTS

D511,718 S * 11/2005 Manchester et al. D12/110
D524,192 S * 7/2006 Sugimoto D12/110
D525,919 S * 8/2006 Sugimoto D12/110
D550,591 S * 9/2007 Mugikura D12/110

1 Claim, 7 Drawing Sheets



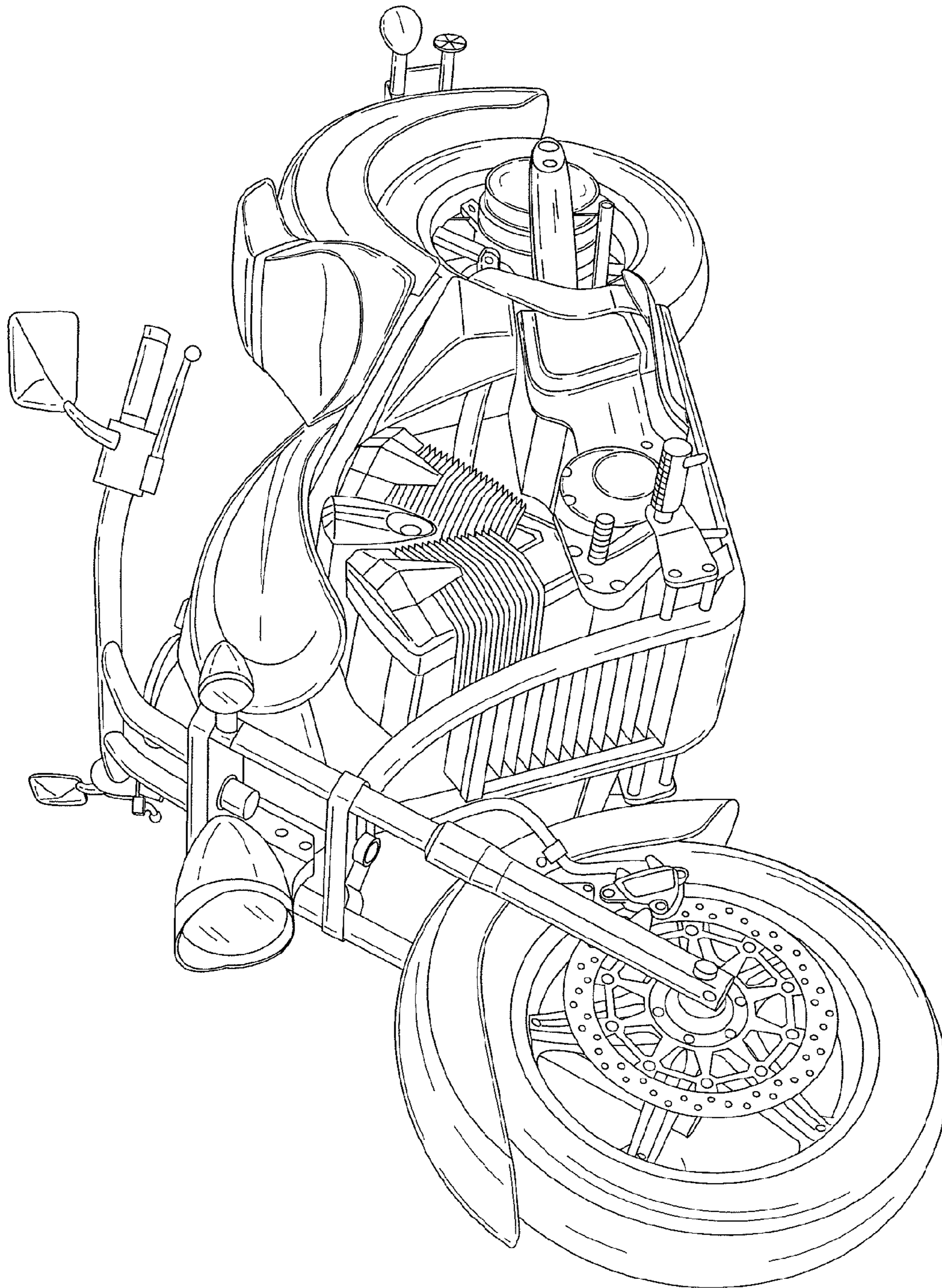


Fig.1

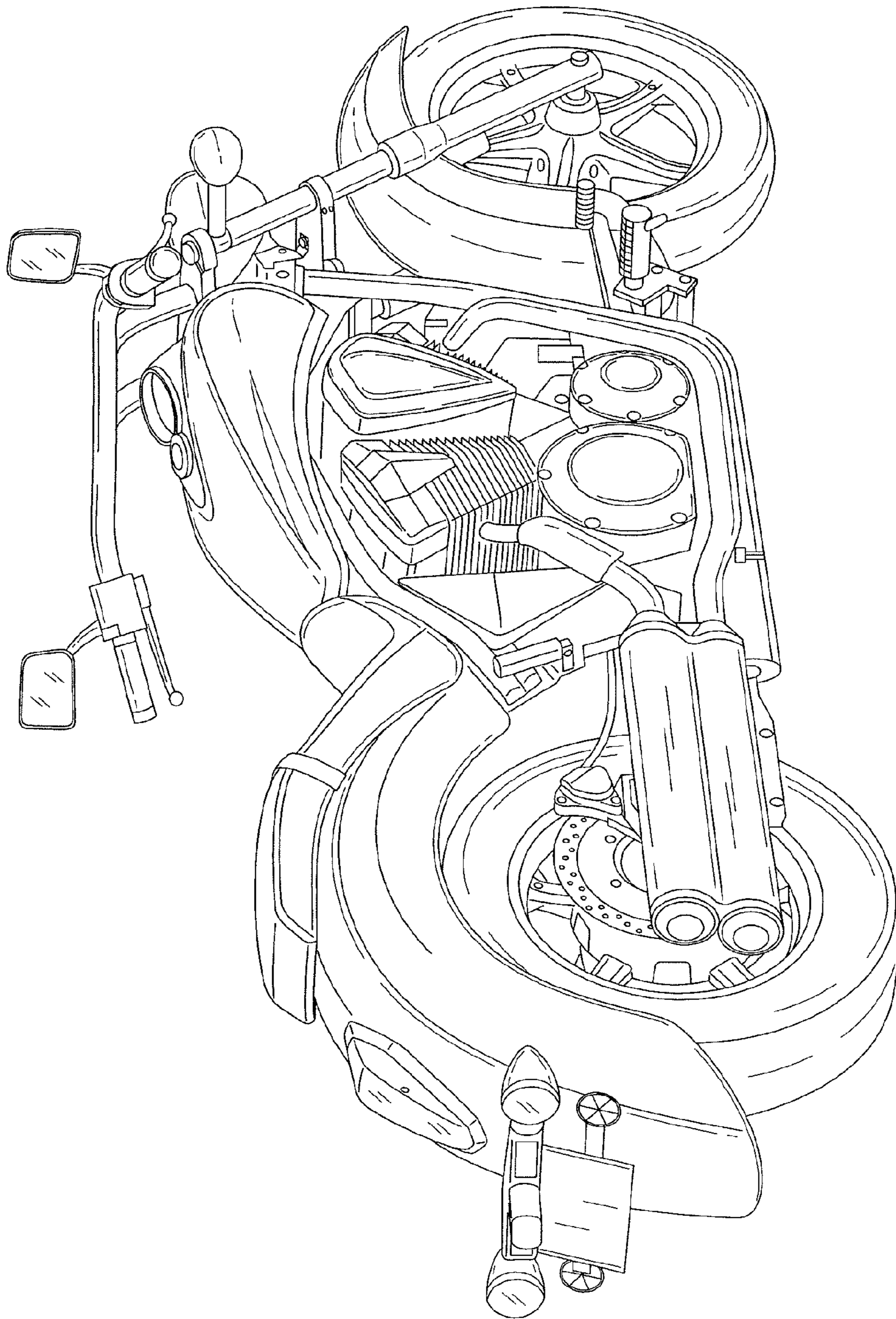


Fig. 2

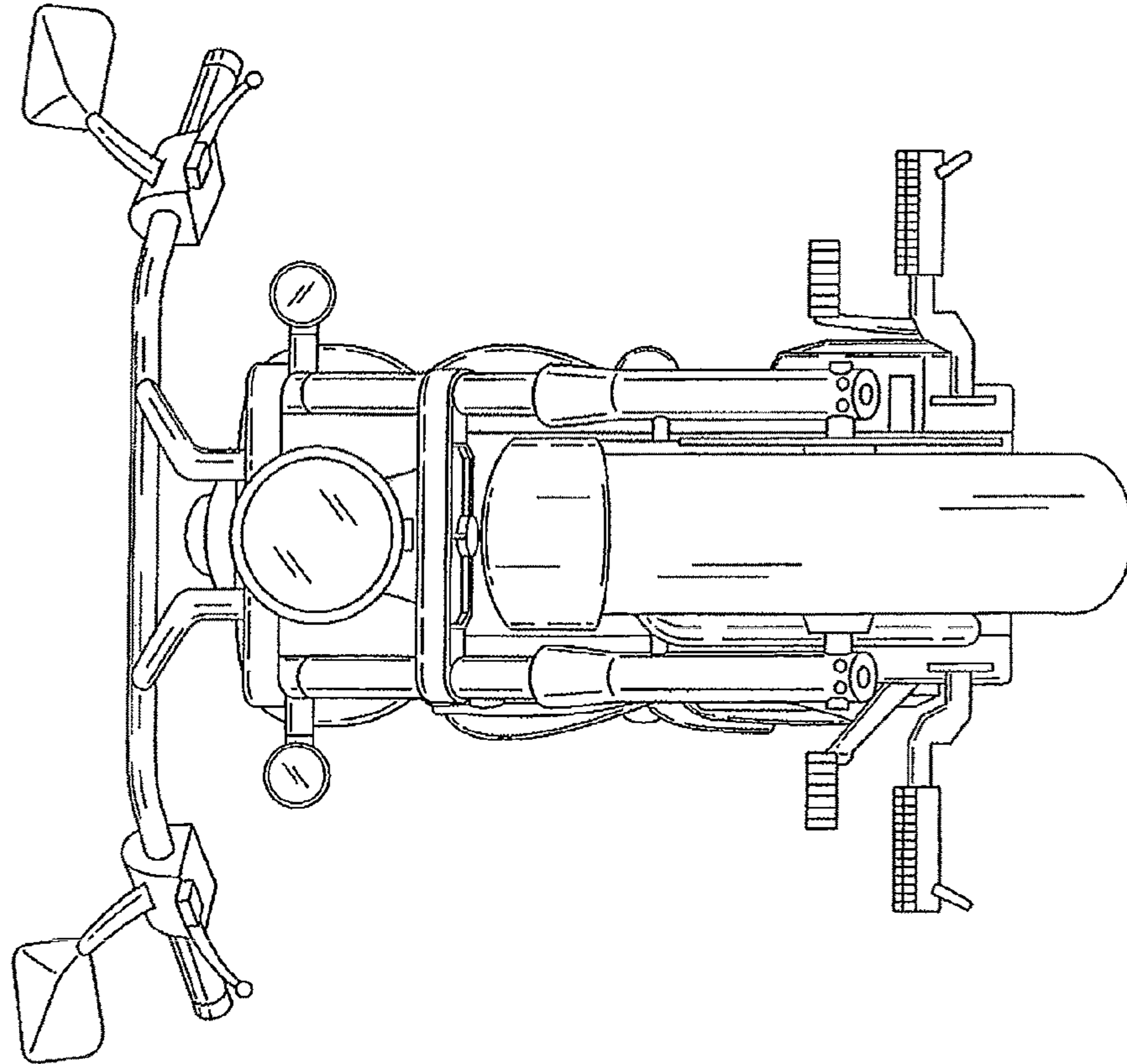


Fig. 3

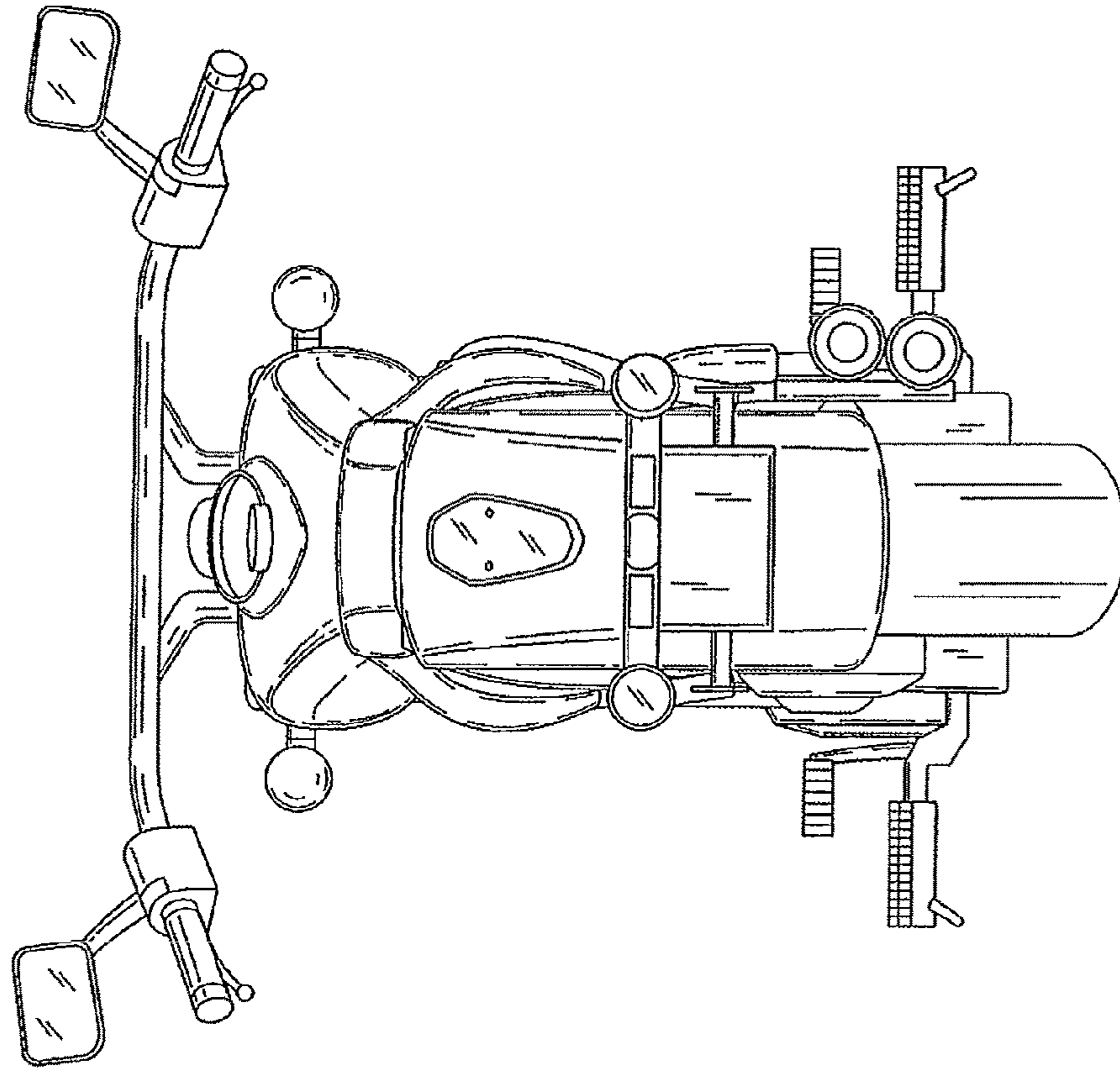
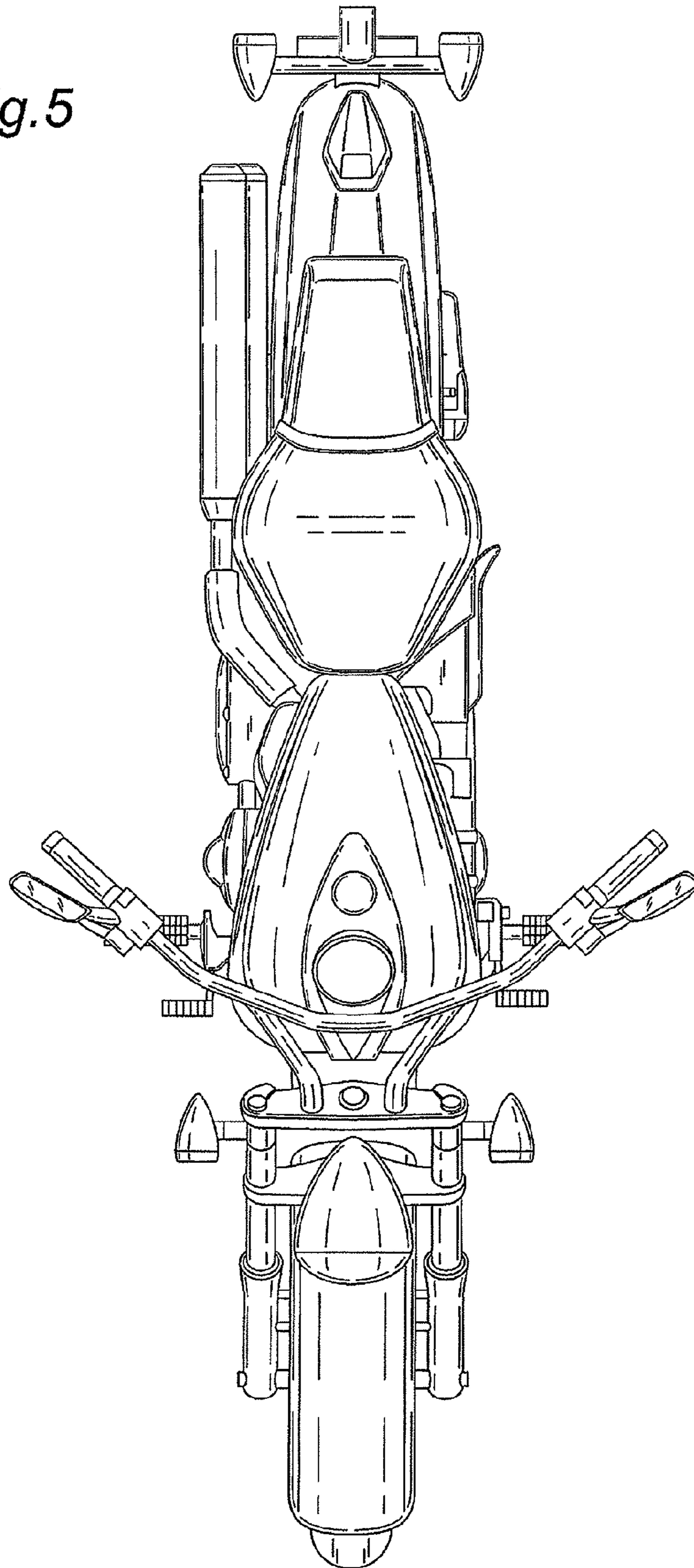


Fig.4

Fig. 5



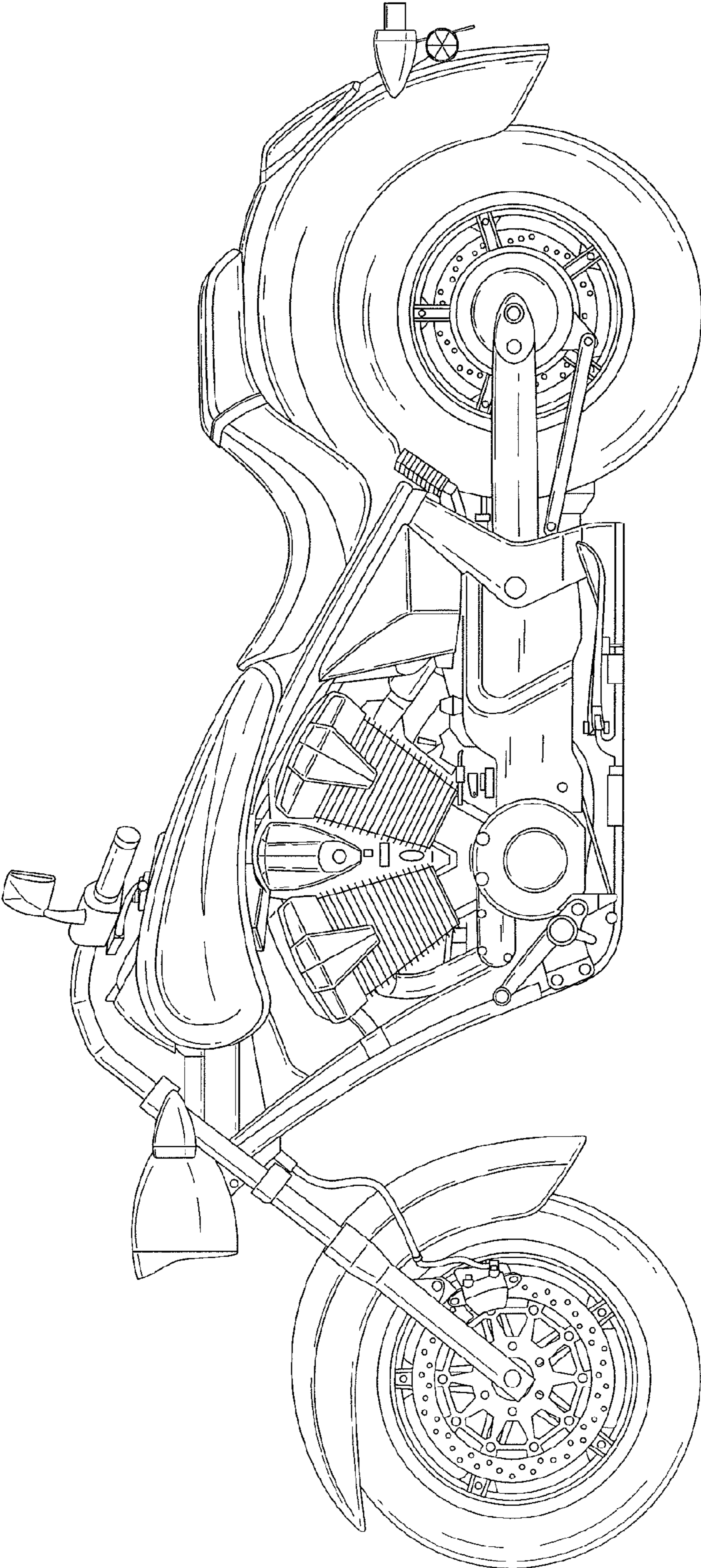


Fig.6

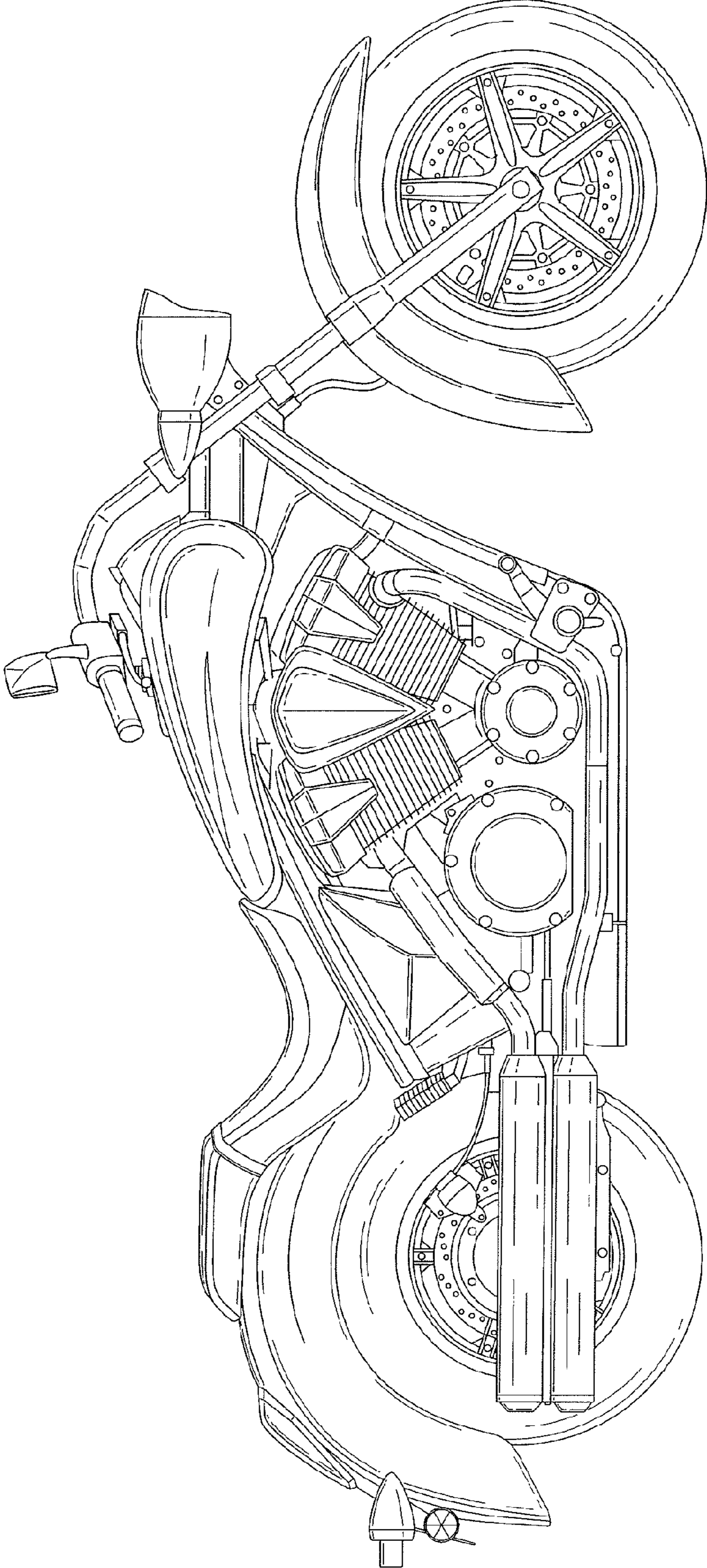


Fig. 7