



US00D626035S

(12) **United States Design Patent**  
**Yumru**

(10) **Patent No.:** **US D626,035 S**

(45) **Date of Patent:** **\*\* Oct. 26, 2010**

(54) **EXPANDABLE TRAILER, CONTAINER OR CARAVAN**

(76) **Inventor:** **Cengiz Yumru**, Villa Taylan Apartmani  
No: 74/1 Baltalimani Sanyer 34467,  
Istanbul (TR)

(\*\*) **Term:** **14 Years**

(21) **Appl. No.:** **29/321,560**

(22) **Filed:** **Jul. 18, 2008**

(51) **LOC (9) Cl.** ..... **12-10**

(52) **U.S. Cl.** ..... **D12/102**

(58) **Field of Classification Search** ..... D12/97,  
D12/102, 181; 280/423 R, 423 B, 425 A,  
280/400, 2, 789, 790; 296/181, 183, 15  
See application file for complete search history.

(56) **References Cited**

**U.S. PATENT DOCUMENTS**

D194,662	S *	2/1963	Zalewski	.....	D12/102
D292,196	S *	10/1987	Dooley	.....	D12/97
4,749,221	A *	6/1988	Scott	.....	296/184.1
4,874,184	A *	10/1989	Boyer	.....	280/423.1
D318,033	S *	7/1991	Pelt	.....	D12/95
D328,728	S *	8/1992	Shea, Sr.	.....	D12/103
D340,887	S *	11/1993	Kropf	.....	D12/105
D344,473	S *	2/1994	Romesburg	.....	D12/97
D348,304	S *	6/1994	Norman et al.	.....	D12/95
5,383,703	A *	1/1995	Irvine, III	.....	296/24.45
D383,093	S *	9/1997	Garzancich et al.	.....	D12/102
6,877,440	B1 *	4/2005	Kilian et al.	.....	105/406.1

7,234,761	B1 *	6/2007	Crean	.....	296/180.4
D554,024	S *	10/2007	Lane	.....	D12/102
D561,063	S *	2/2008	Hughes et al.	.....	D12/102
D568,793	S *	5/2008	Oliver et al.	.....	D12/103
D577,315	S *	9/2008	Parker	.....	D12/102
7,461,888	B2 *	12/2008	Brown	.....	296/186.1
2002/0149230	A1 *	10/2002	Schroeder	.....	296/181
2002/0180238	A1 *	12/2002	Sill	.....	296/181
2003/0107238	A1 *	6/2003	McWilliams	.....	296/181

\* cited by examiner

*Primary Examiner*—Elizabeth A Albert

*Assistant Examiner*—Kelley A Donnelly

(74) *Attorney, Agent, or Firm*—Egbert Law Offices PLLC

(57) **CLAIM**

The ornamental design for an expandable trailer, container or caravan, as shown and described.

**DESCRIPTION**

FIG. 1 is an upper perspective view of the expandable trailer, container or caravan showing my design.

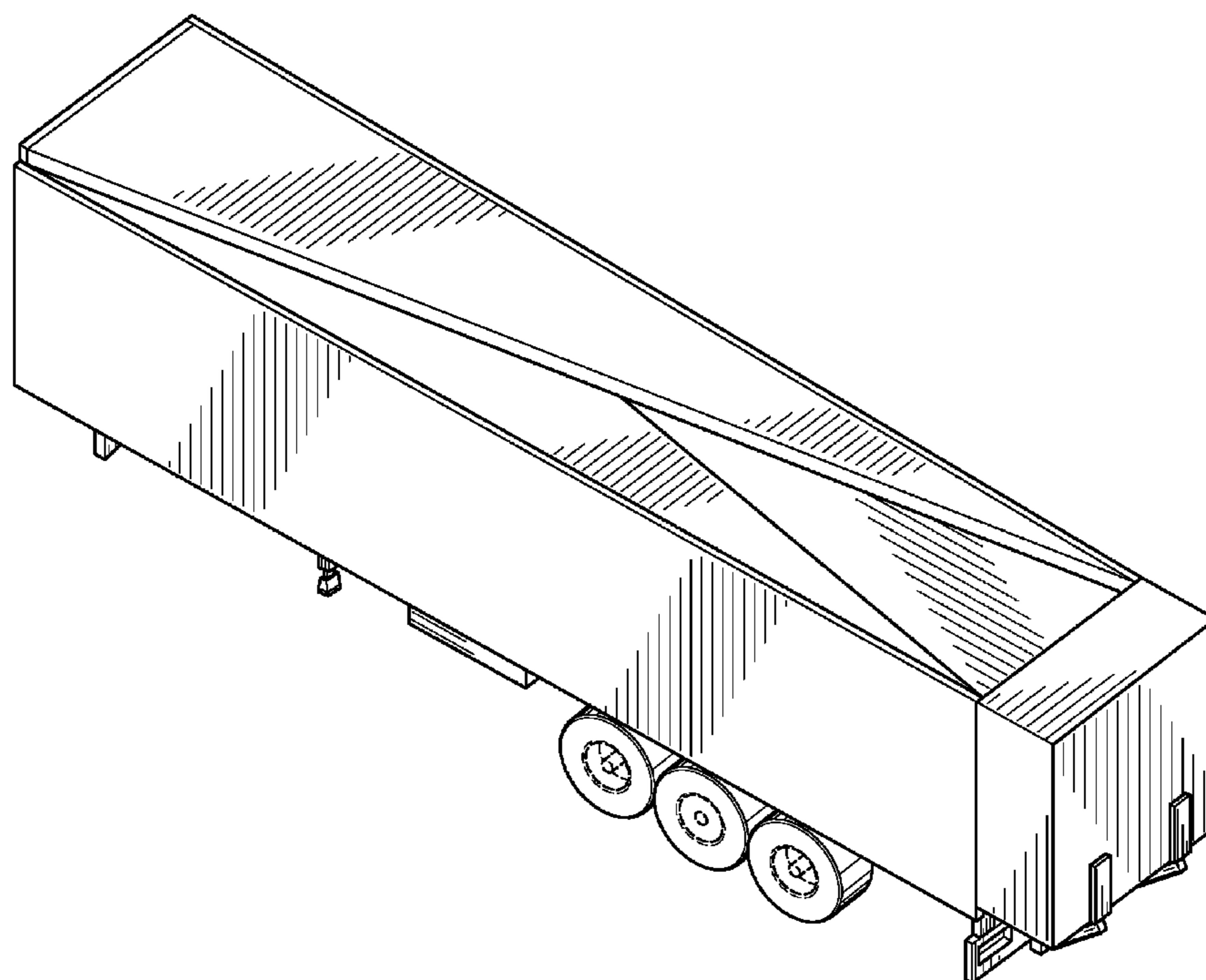
FIG. 2 is a bottom perspective view thereof, showing an expanded position;

FIG. 3 is an upper perspective view thereof, according to FIG. 2 in a partially expanded position; and,

FIG. 4 is another perspective view thereof, in a partially expanded position.

The broken lines are for environmental purposes only and form no part of the claimed design.

**1 Claim, 4 Drawing Sheets**



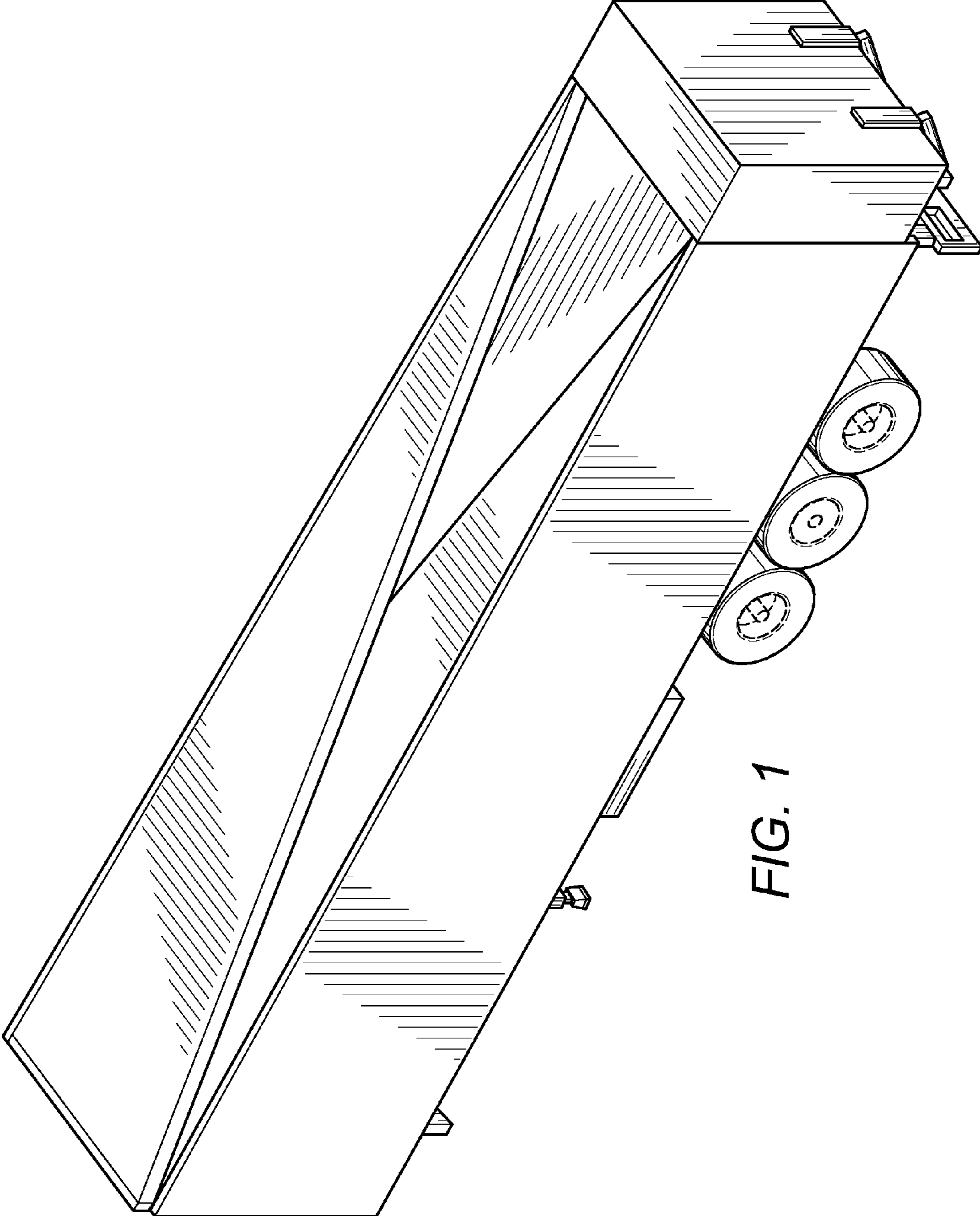


FIG. 1

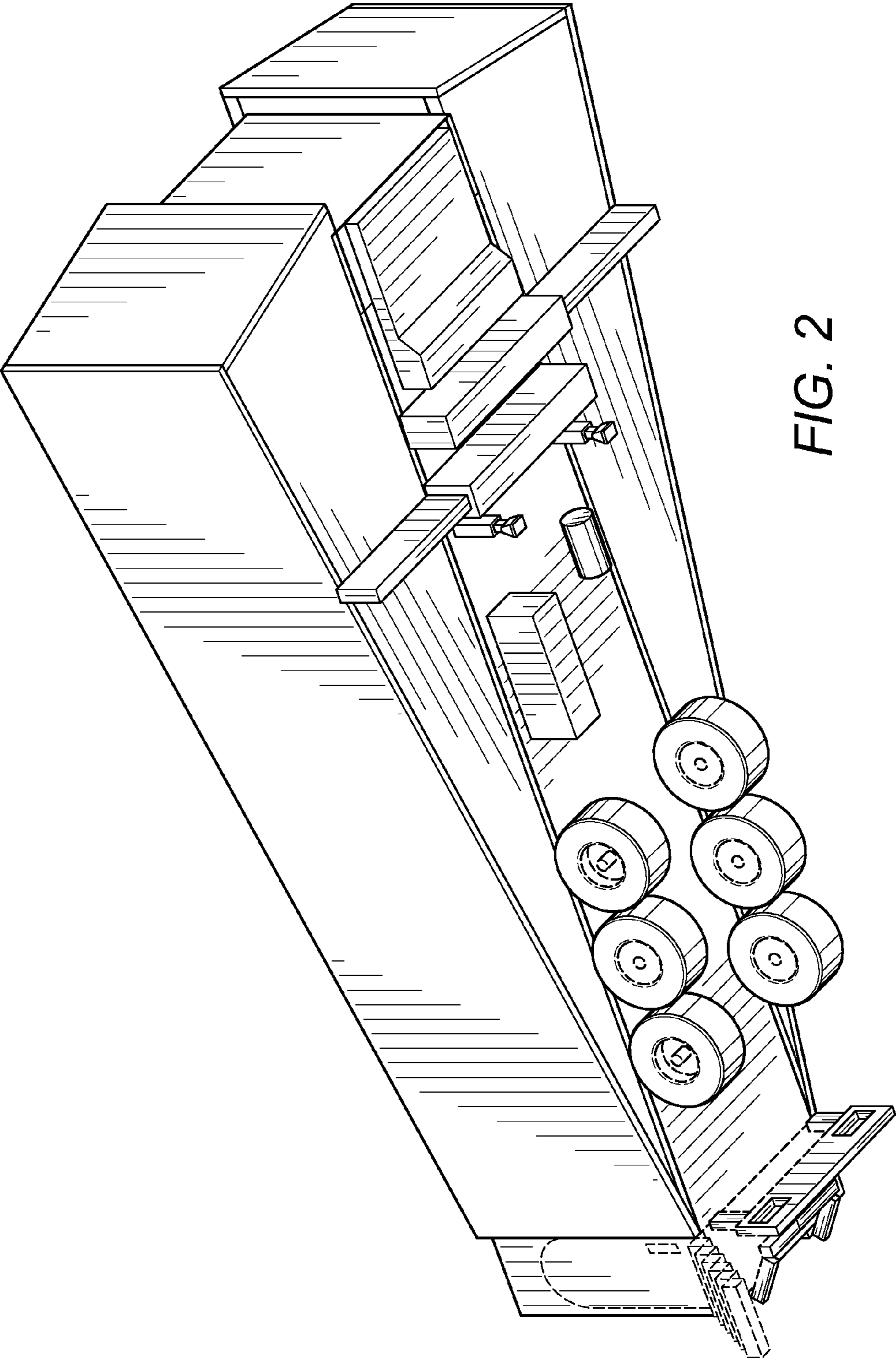


FIG. 2

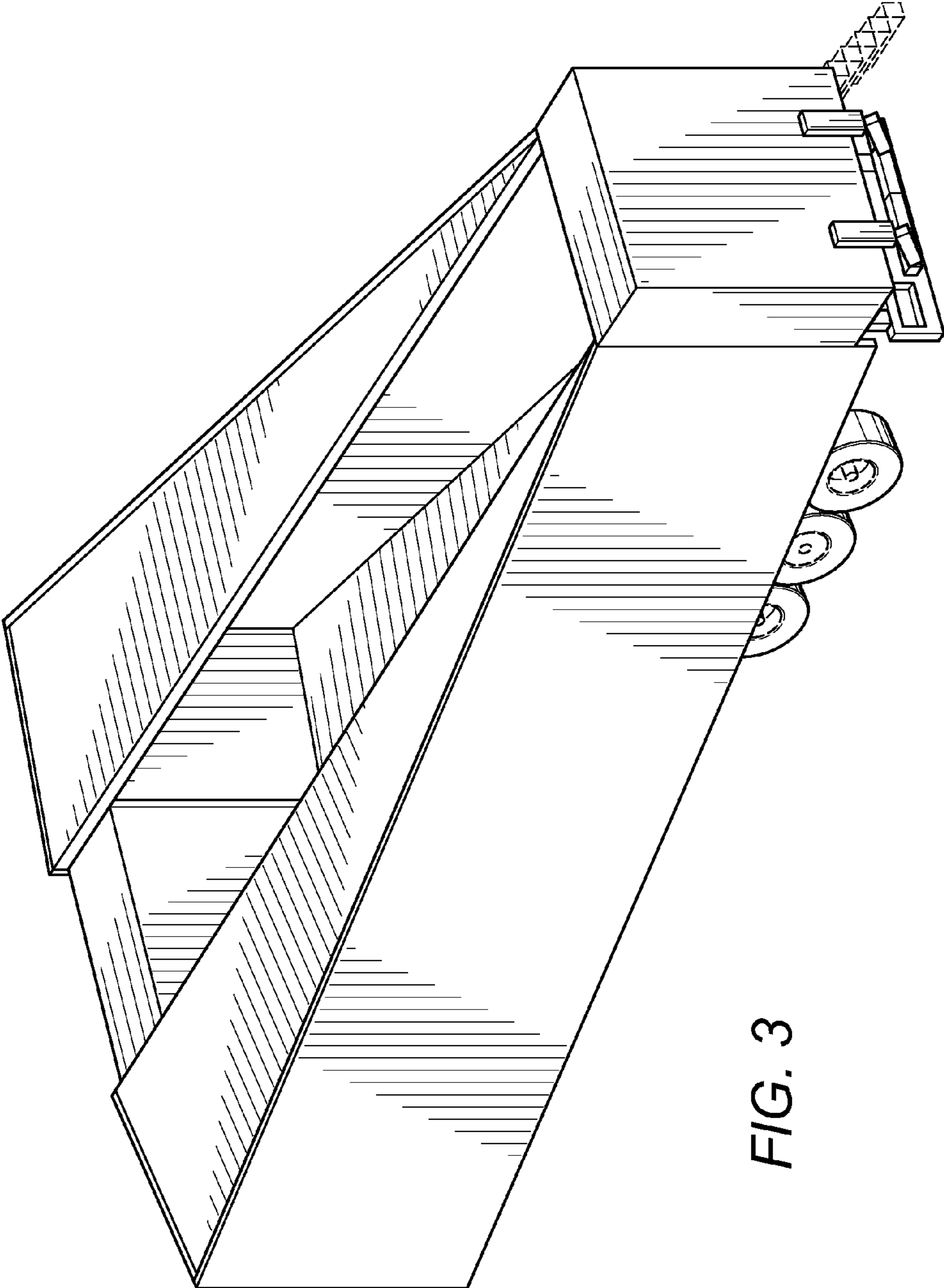


FIG. 3

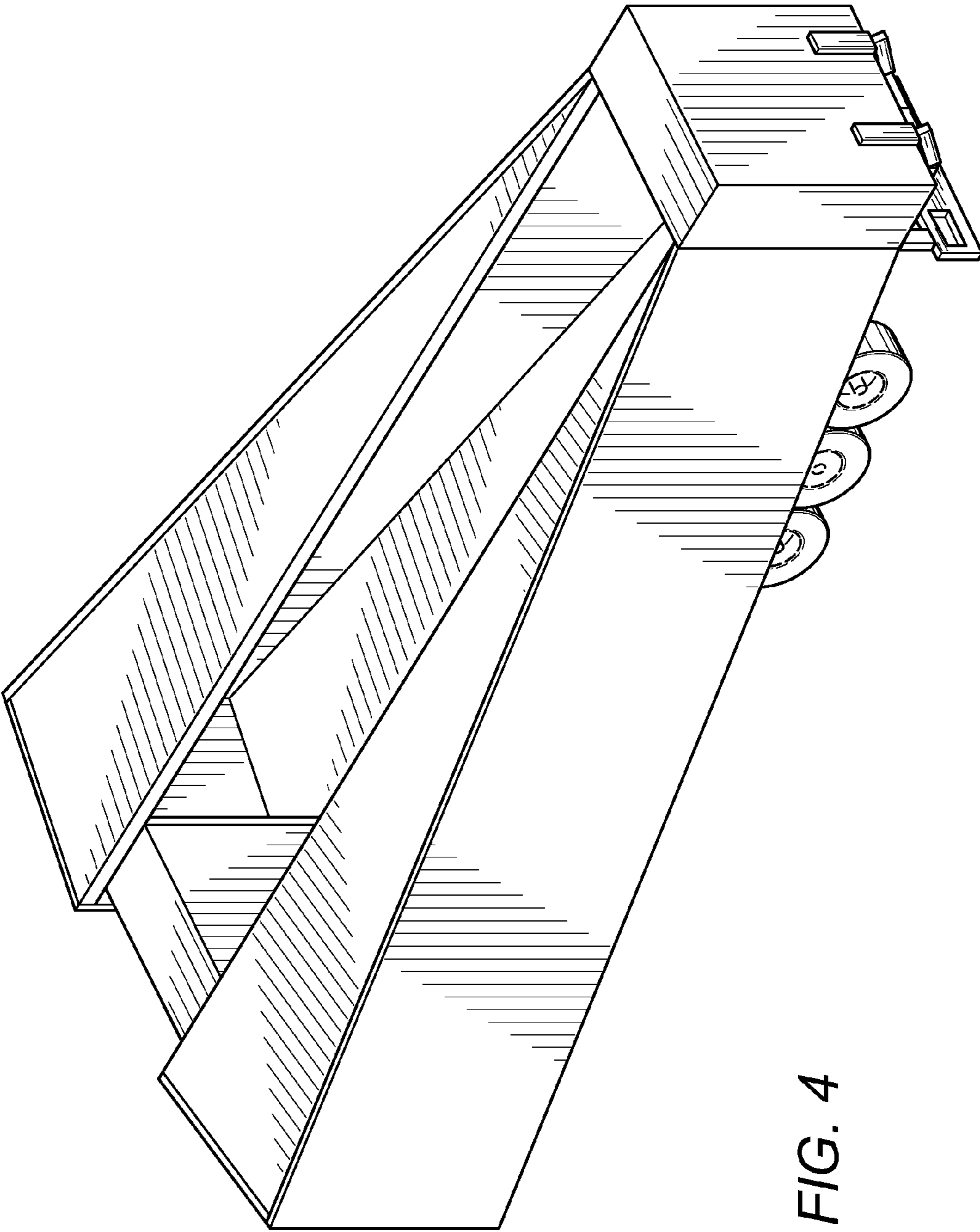


FIG. 4