

US00D626030S

(12) **United States Design Patent**
Valdez

(10) **Patent No.:** **US D626,030 S**

(45) **Date of Patent:** **** Oct. 26, 2010**

(54) **FLATTENING WAIST BELT**

(76) **Inventor:** **Vera G. Valdez**, 8737 Lucia Ave.,
Whittier, CA (US) 90605

(**) **Term:** **14 Years**

(21) **Appl. No.:** **29/352,217**

(22) **Filed:** **Dec. 17, 2009**

(51) **LOC (9) Cl.** **02-07**

(52) **U.S. Cl.** **D11/231**

(58) **Field of Classification Search** D11/200–237;
D2/625–629; 24/614, 625, 650, 199–200,
24/170, 30.5 R, 318; 224/163

See application file for complete search history.

(56) **References Cited**

U.S. PATENT DOCUMENTS

1,235,820	A	8/1917	Leibe	
1,508,411	A	9/1924	Riker	
1,566,104	A	12/1925	Knothe	
D78,173	S *	4/1929	Tonks	D11/216
3,043,037	A	7/1962	Lesser	
D209,657	S *	12/1967	Walling	D11/216
D215,195	S *	9/1969	Meriden	D11/216
4,313,230	A	2/1982	Chovaniec	
4,437,598	A *	3/1984	Hull	224/163
4,521,923	A	6/1985	Mackey	
D284,524	S *	7/1986	Ainsworth	D11/231
D286,581	S	11/1986	Panth	
D289,227	S	4/1987	Glynn	
D302,140	S *	7/1989	Johnston	D11/216
D360,970	S	8/1995	Gates	
D366,856	S	2/1996	Takimoto	

D387,187	S	12/1997	Connor	
D488,912	S	4/2004	Berger	
D508,872	S *	8/2005	Hoeppner	D11/216
D535,916	S *	1/2007	Mouquet	D11/231
D564,942	S *	3/2008	Chuang	D11/231
D581,836	S *	12/2008	Bettinardi	D11/231
D613,201	S *	4/2010	Orr	D11/231

* cited by examiner

Primary Examiner—T. Chase Nelson

Assistant Examiner—Mark Cavanna

(74) *Attorney, Agent, or Firm*—QuickPatents, Inc.; Kevin Prince

(57) **CLAIM**

What is claimed is the ornamental design for a flattening waist belt, as shown and described.

DESCRIPTION

FIG. 1 is a perspective view of a flattening waist belt, showing the new design;

FIG. 2 is a front elevational view thereof;

FIG. 3 is a rear elevational view thereof;

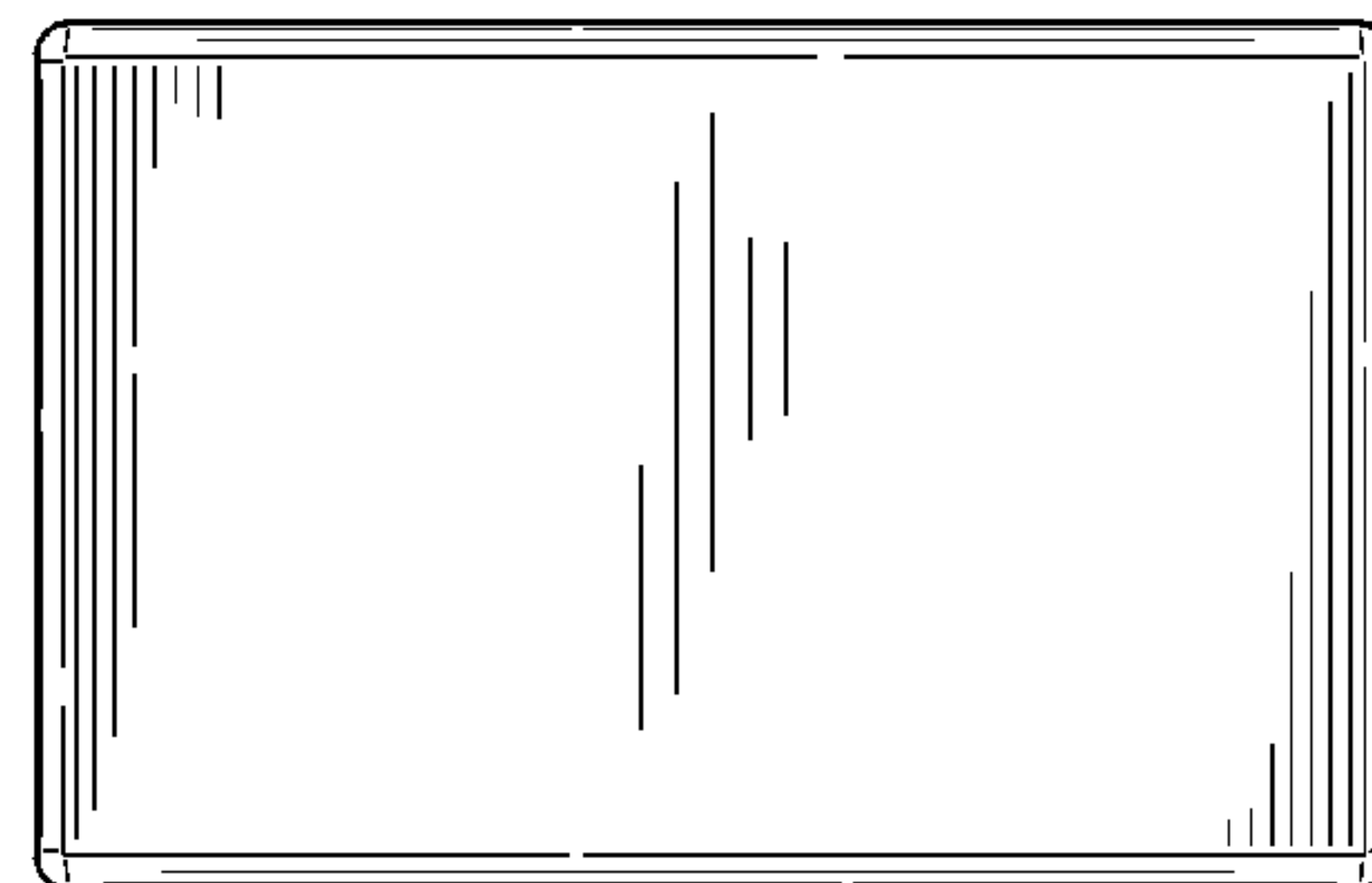
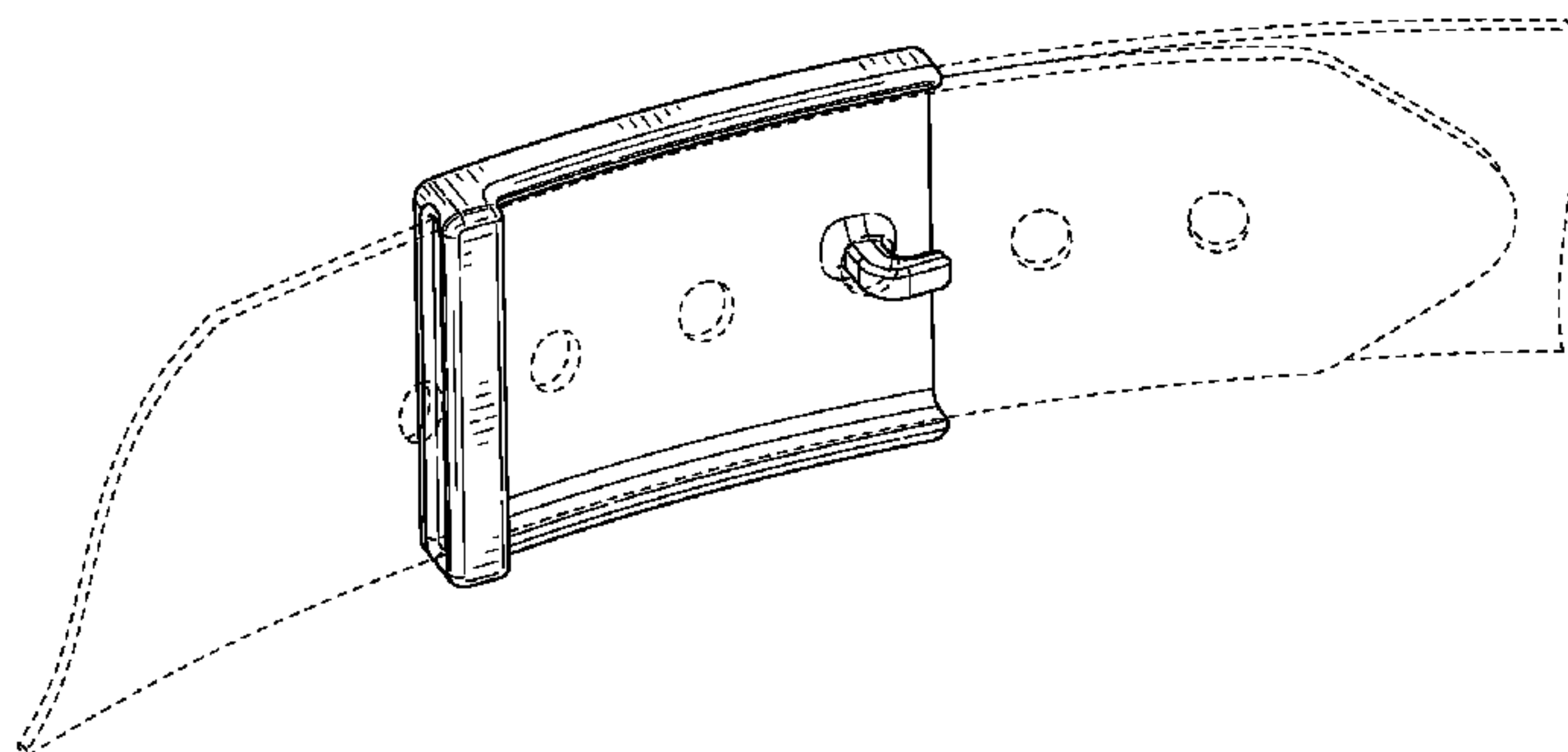
FIG. 4 is a right-side elevational view thereof;

FIG. 5 is a left-side elevational view thereof; and,

FIG. 6 is a top plan view, the bottom plan view being a mirror image thereof.

The broken lines showing a belt in FIG. 1 are included for the purpose of illustrating the invention in use, and form no part of the claimed design.

1 Claim, 2 Drawing Sheets



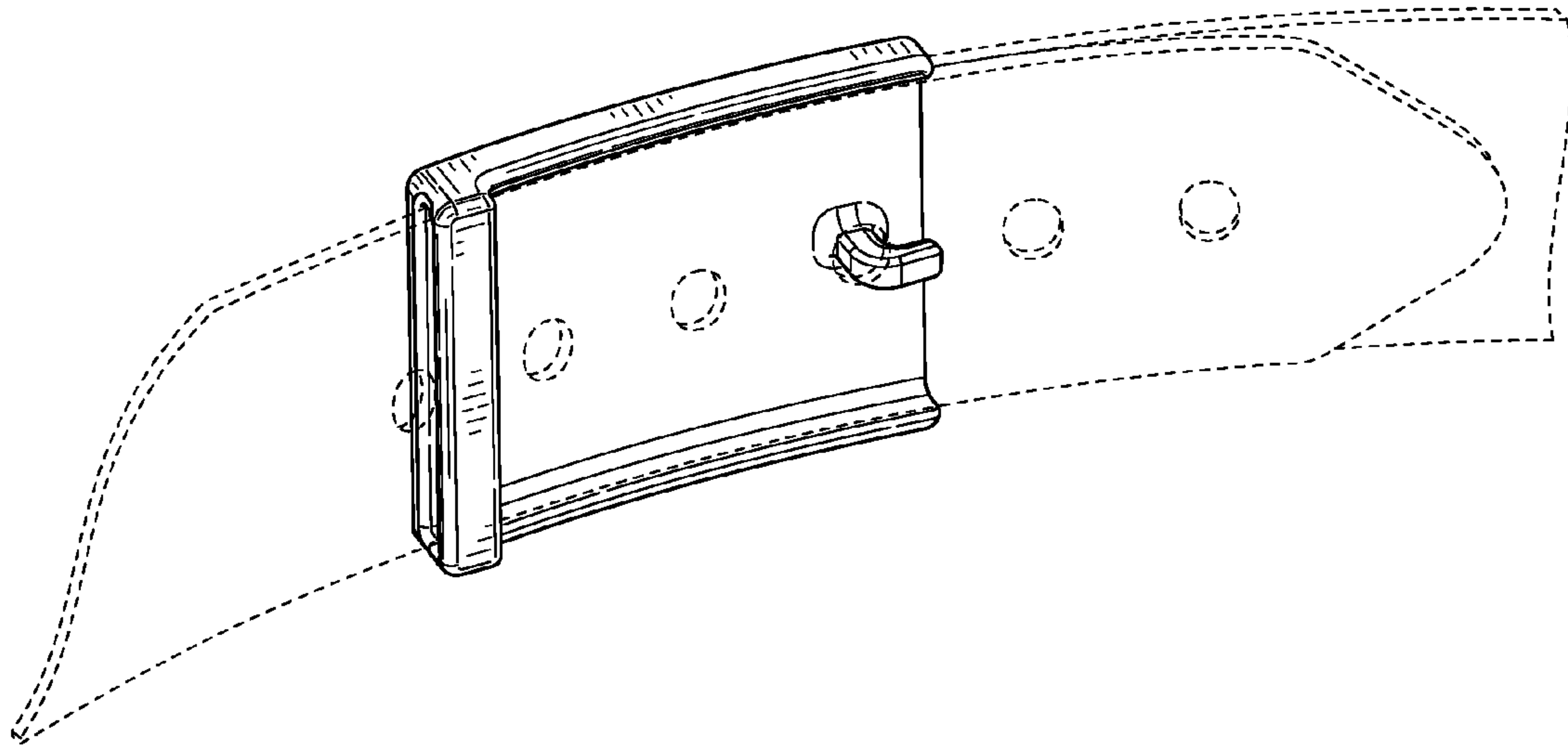


FIG. 1

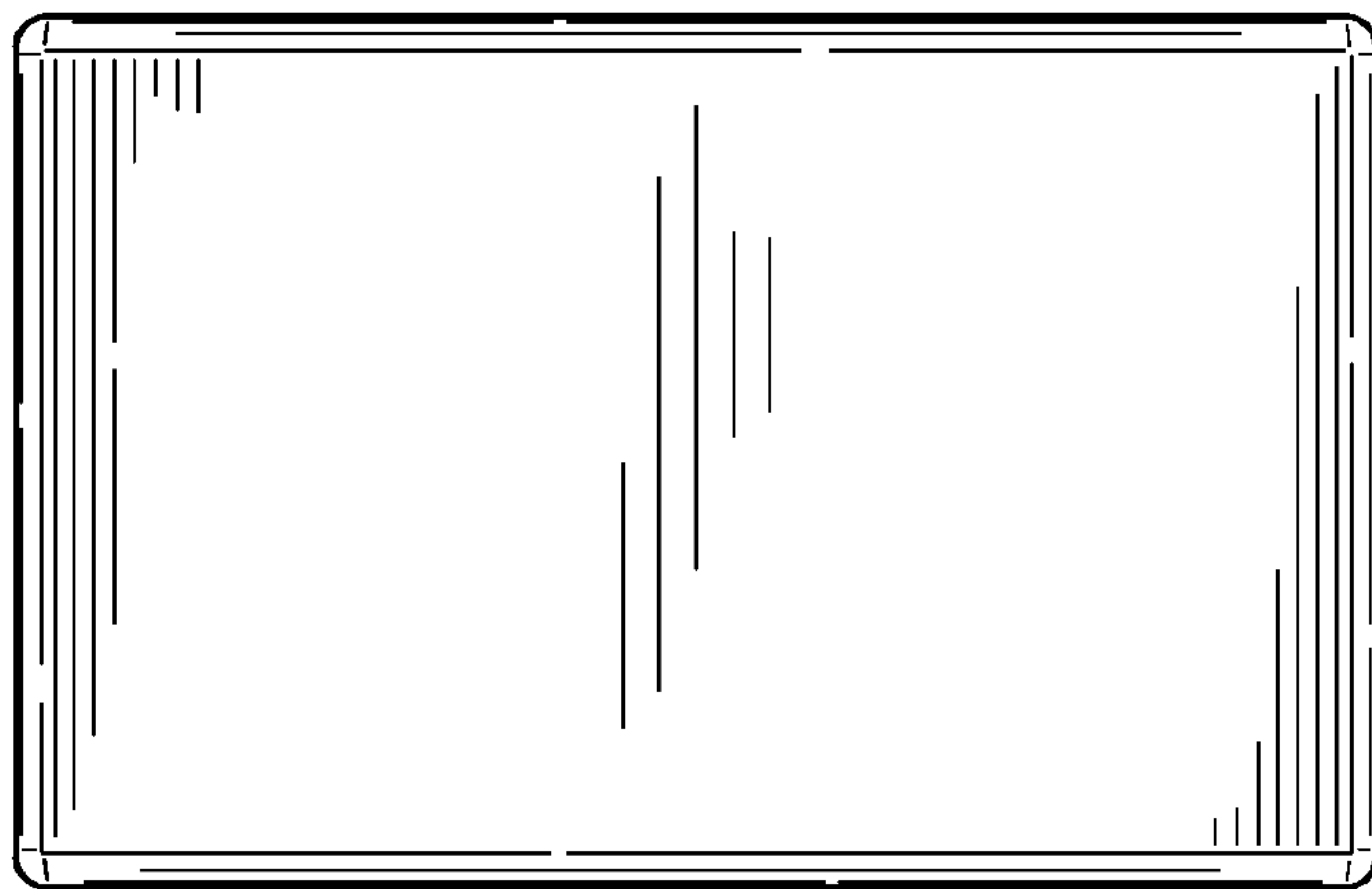


FIG. 2

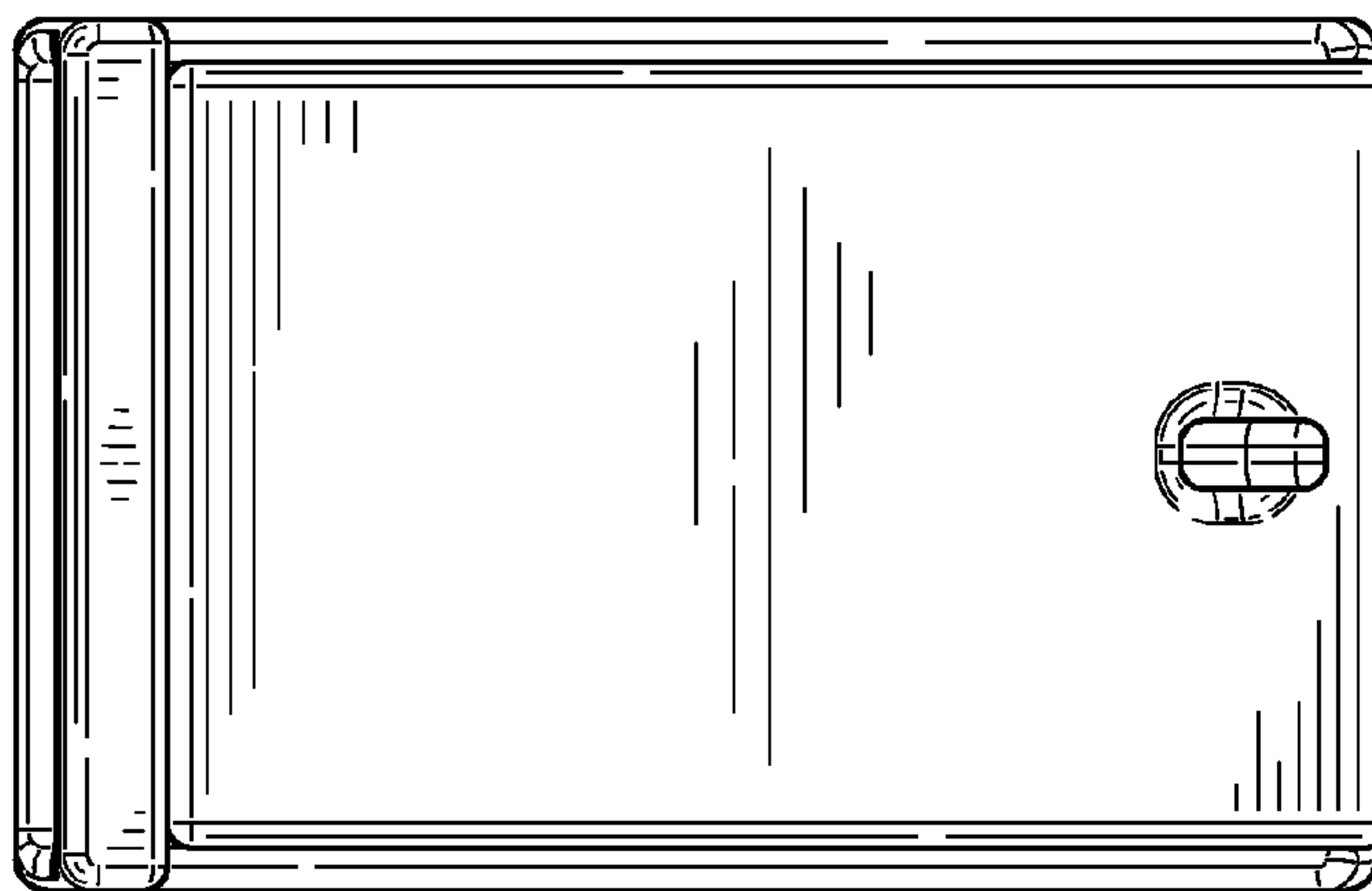


FIG. 3



FIG. 4

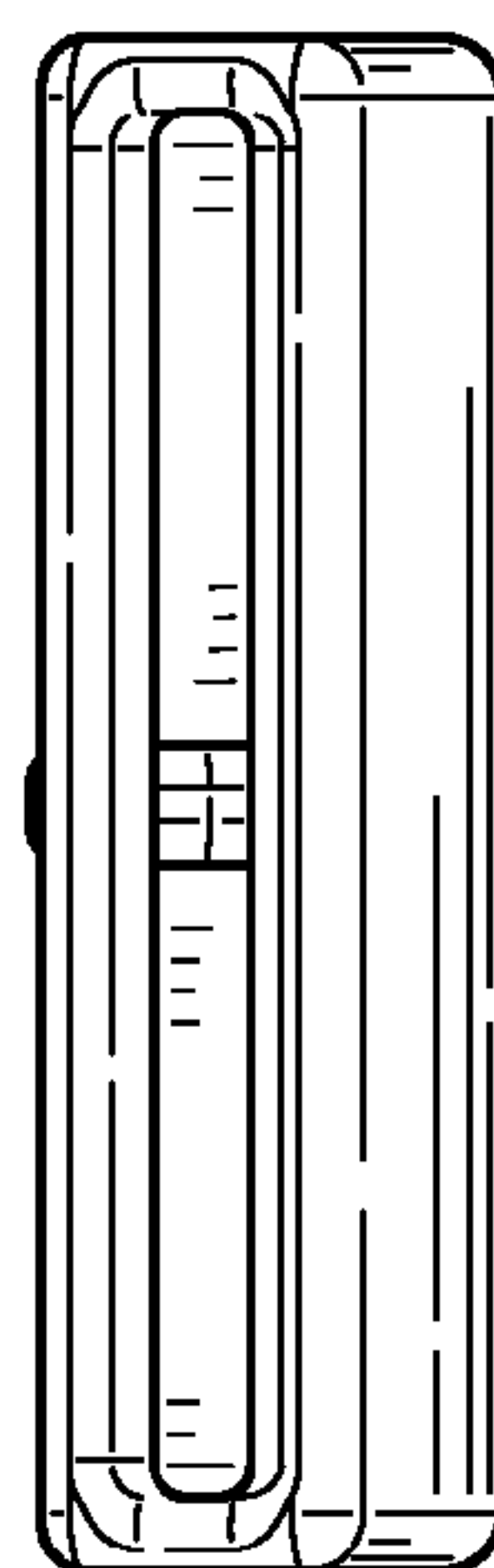


FIG. 5

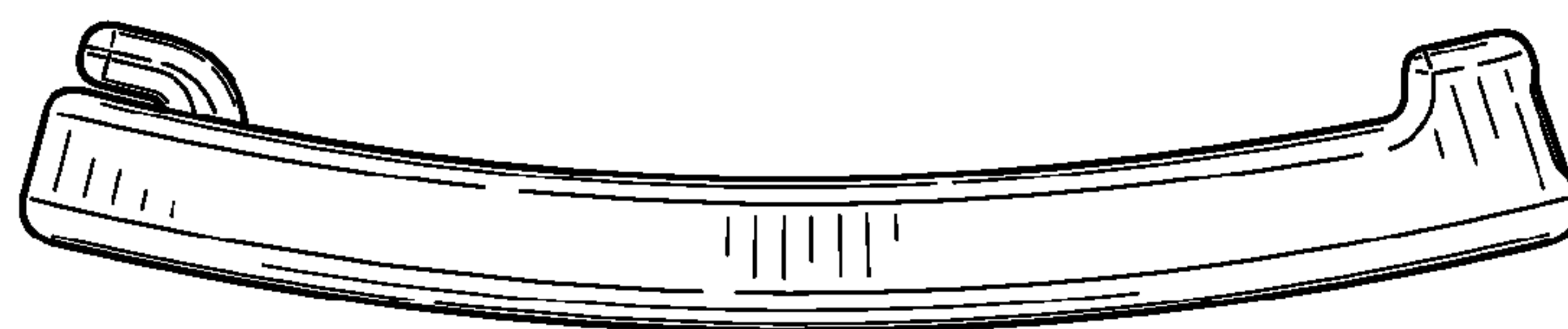


FIG. 6