

US00D626024S

(12) **United States Design Patent**
Galli

(10) **Patent No.:** **US D626,024 S**

(45) **Date of Patent:** **** *Oct. 26, 2010**

(54) **PORTION OF A WATCH CASE**

(75) Inventor: **Giorgio Galli**, Milan (IT)

(73) Assignee: **Timex Group B.V.** (NL)

(**) Term: **14 Years**

(21) Appl. No.: **29/343,442**

(22) Filed: **Sep. 14, 2009**

(51) **LOC (9) Cl.** **10-07**

(52) **U.S. Cl.** **D10/126**

(58) **Field of Classification Search** D10/30-39,
D10/122-132; 368/276, 281, 282, 285, 294,
368/295, 296

See application file for complete search history.

(56) **References Cited**

U.S. PATENT DOCUMENTS

D323,993 S *	2/1992	Lee	D10/32
D331,707 S *	12/1992	Iwata	D10/39
D346,974 S *	5/1994	Houlihan	D10/38
D346,975 S	5/1994	Houlihan		
D348,401 S *	7/1994	Riley	D10/30
D353,105 S *	12/1994	Houlihan	D10/30
D354,239 S *	1/1995	Ishizaka	D10/38
D360,369 S *	7/1995	Wong et al.	D10/38
D377,315 S *	1/1997	Moriai et al.	D10/38
D378,574 S	3/1997	Houlihan		
D380,690 S	7/1997	Riley		
D387,999 S *	12/1997	Cobarrubias	D10/30
D394,399 S *	5/1998	Matsuda et al.	D10/30
D401,862 S *	12/1998	Sugita et al.	D10/30
D402,210 S *	12/1998	Kong Sang	D10/30
D411,115 S	6/1999	Houlihan et al.		
D411,957 S *	7/1999	Ramos	D10/30
D416,812 S	11/1999	Houlihan et al.		

D417,401 S *	12/1999	Houlihan et al.	D10/30
D421,395 S *	3/2000	Paredes	D10/30
D424,451 S *	5/2000	Houlihan	D10/30
D443,832 S *	6/2001	Streltsov	D10/30
D455,967 S *	4/2002	Koo	D10/32
D459,664 S *	7/2002	Koo	D10/32
6,414,907 B1 *	7/2002	Pennington	368/10
D472,820 S *	4/2003	Ditullo et al.	D10/30
D565,971 S *	4/2008	Peraldi	D10/39
D569,275 S *	5/2008	Moriai et al.	D10/38

OTHER PUBLICATIONS

Printout of Casio Chronograph watch from www.casio.com/products/Timepiece/Classic.

* cited by examiner

Primary Examiner—Lucy Lieberman

(74) *Attorney, Agent, or Firm*—Carmody & Torrance LLP

(57) **CLAIM**

The ornamental design for a portion of a watch case, as shown and described.

DESCRIPTION

FIG. 1 is a front perspective view of a portion of a watch case showing my new design;

FIG. 2 is a front elevation thereof;

FIG. 3 is a right side elevation thereof;

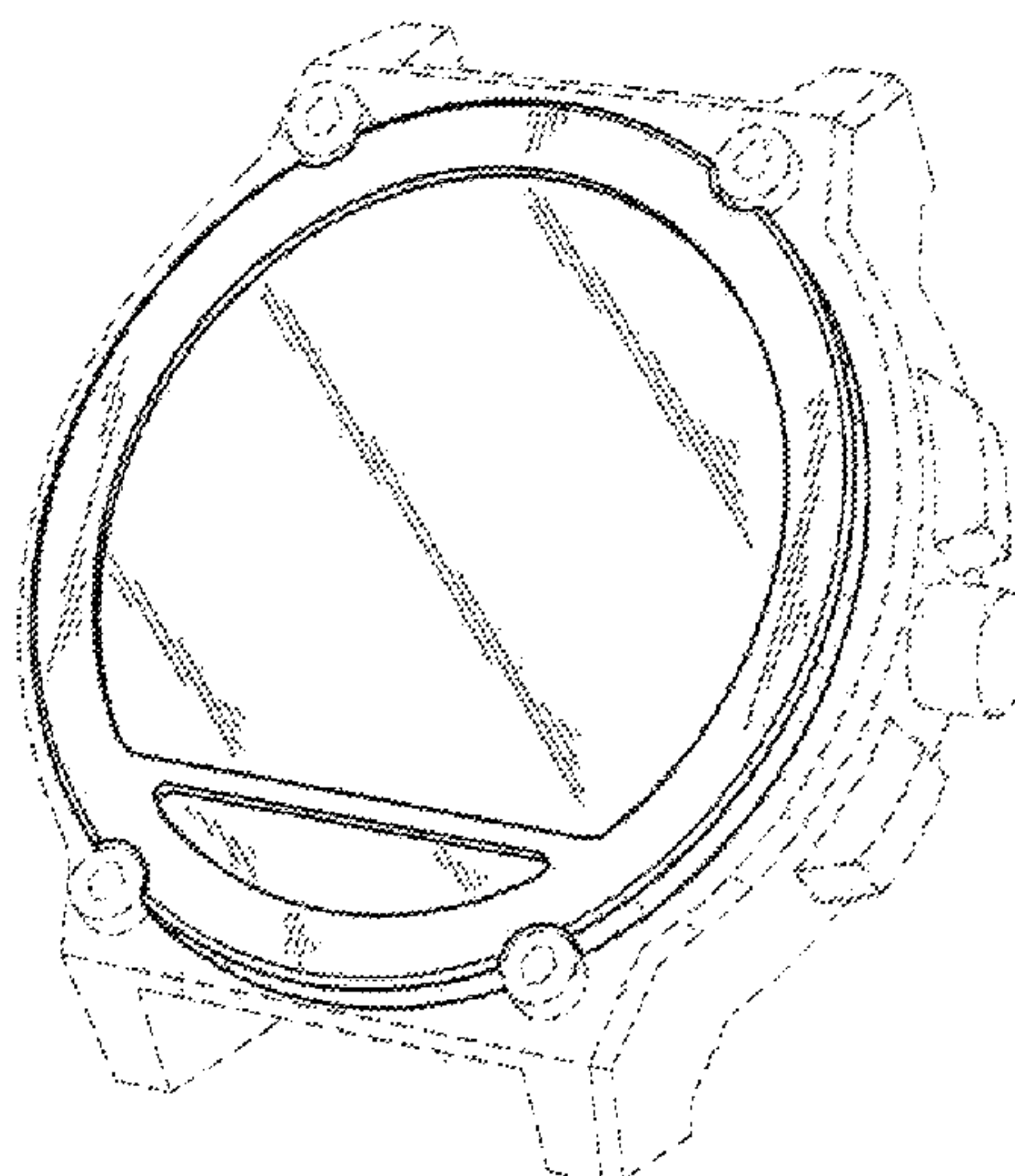
FIG. 4 is a left side elevation thereof;

FIG. 5 is a bottom plan view thereof; and,

FIG. 6 is a top plan view thereof.

The broken line showings are environmental only and form no part of the claimed design.

1 Claim, 3 Drawing Sheets



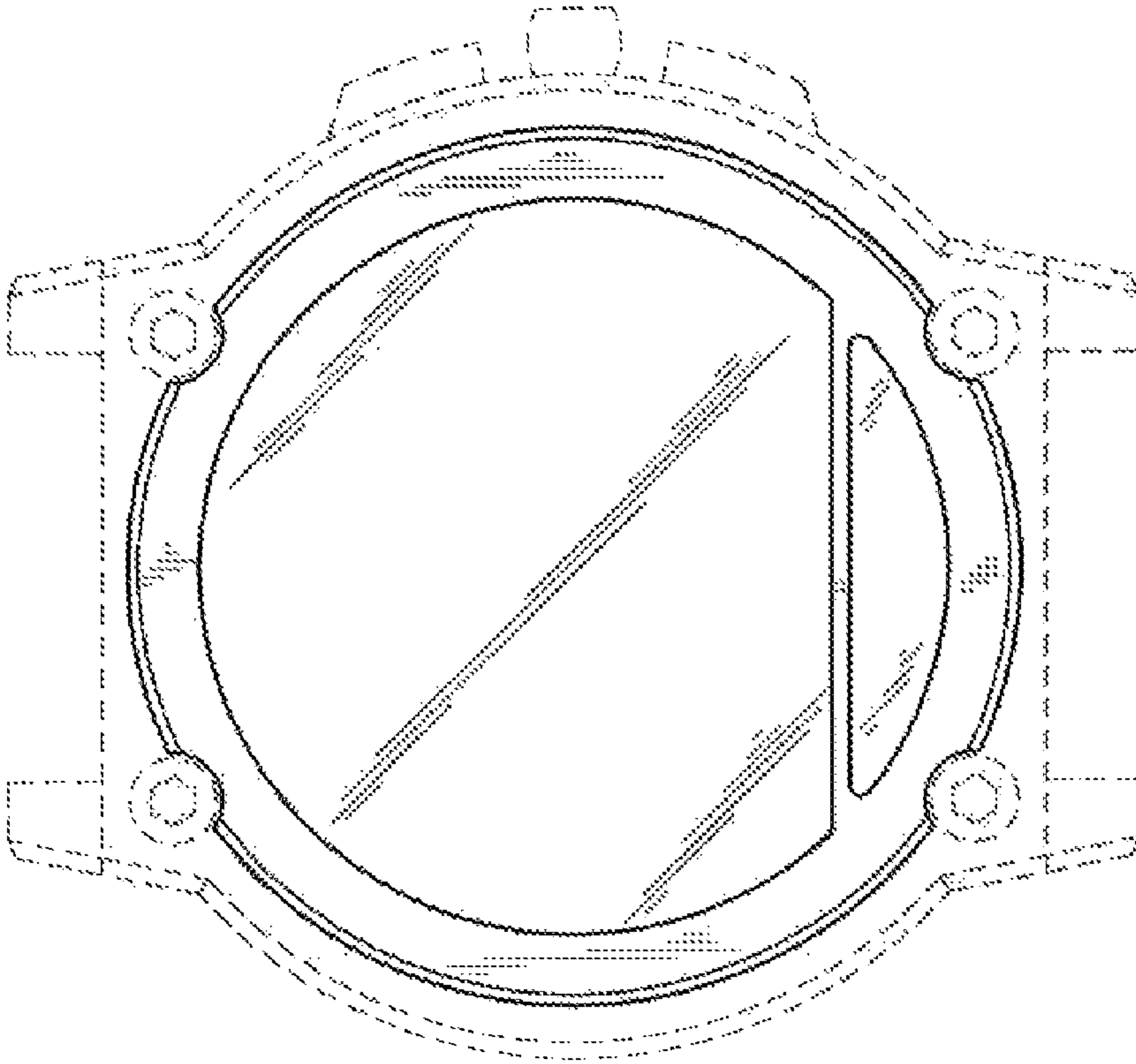


FIG. 2

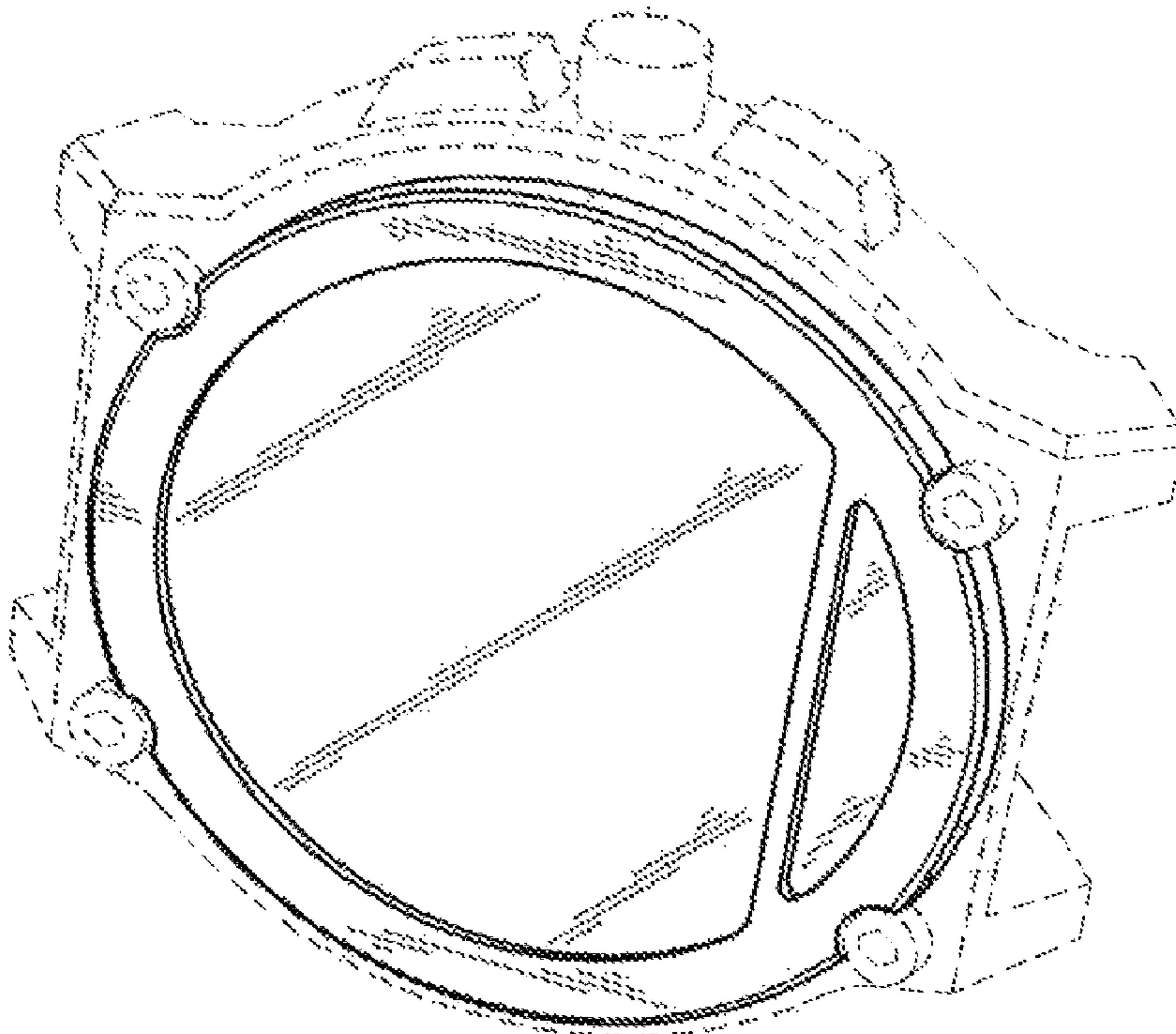


FIG. 1

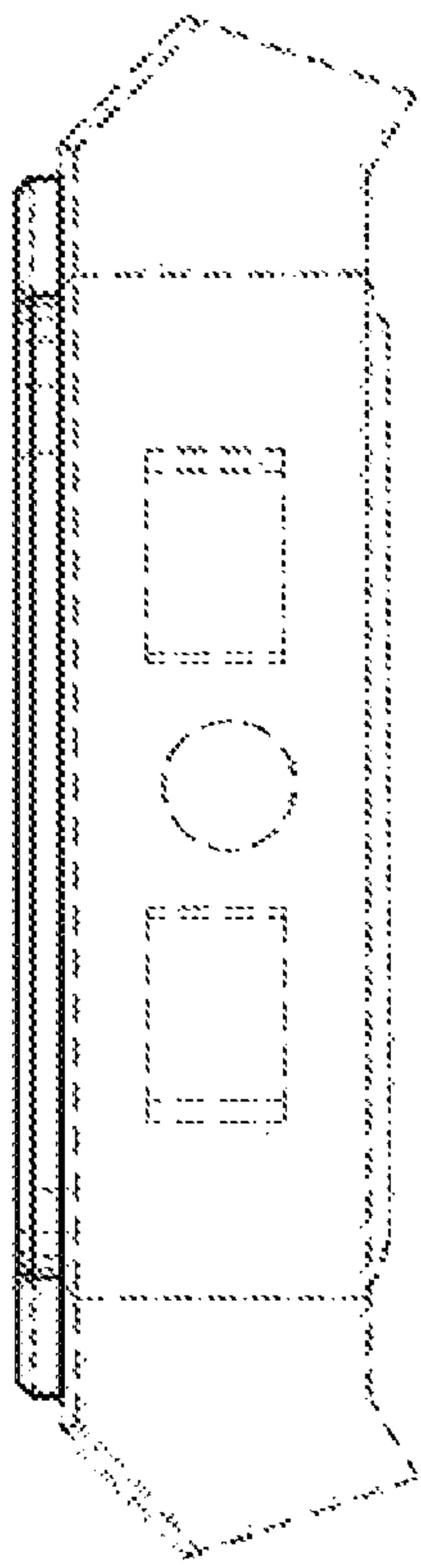


FIG. 3

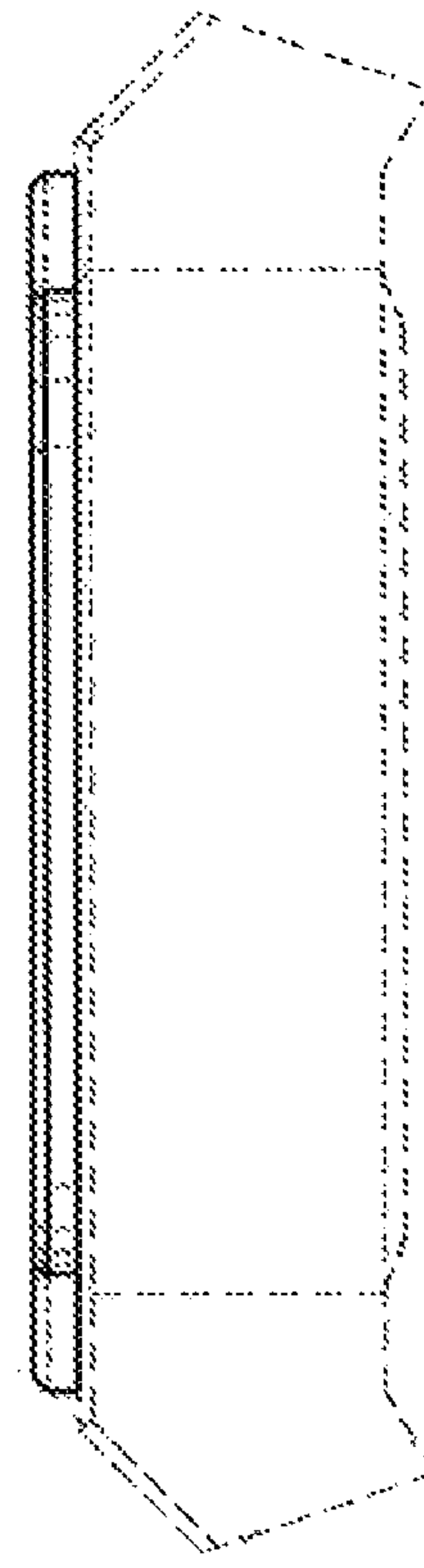


FIG. 4

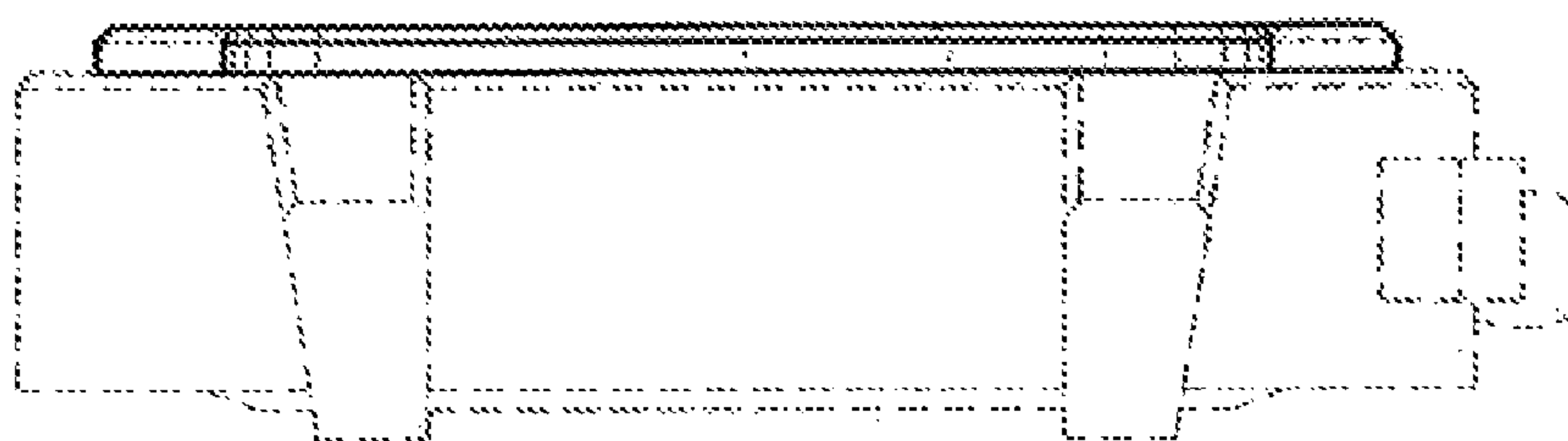


FIG. 5

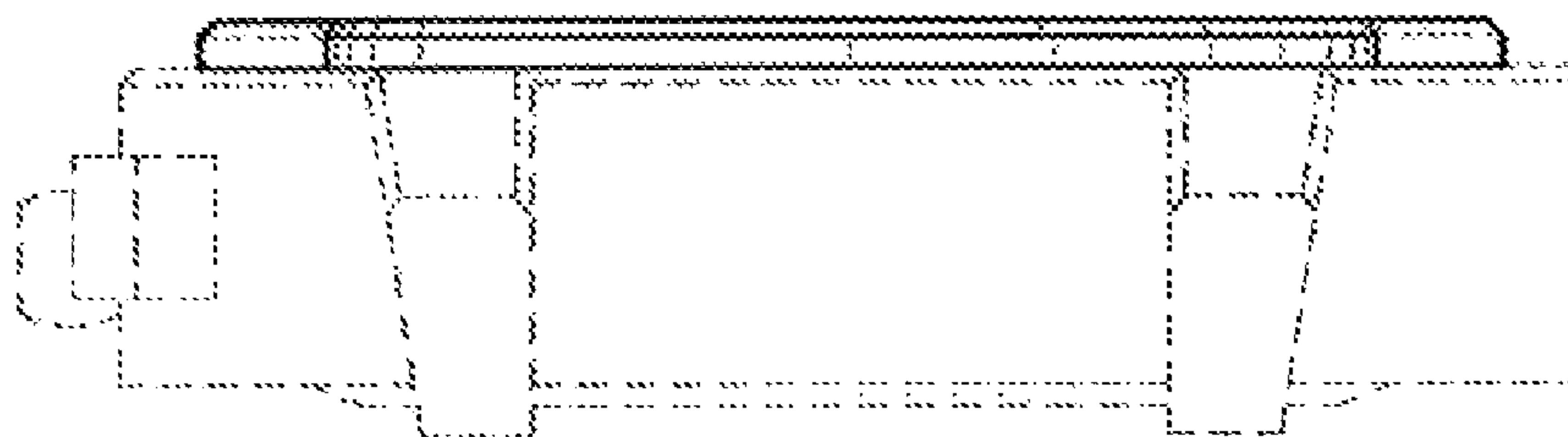


FIG. 6