



US00D626021S

(12) **United States Design Patent**
Kalbach

(10) **Patent No.:** **US D626,021 S**

(45) **Date of Patent:** **** *Oct. 26, 2010**

(54) **VEHICLE ROOF RACK OBSTACLE
DETECTION SENSOR**

(76) Inventor: **Edward Van Lee Kalbach**, 575 W. 3200
S., Nibley, UT (US) 84321-6337

(*) Notice: This patent is subject to a terminal dis-
claimer.

(**) Term: **14 Years**

(21) Appl. No.: **29/324,930**

(22) Filed: **Sep. 23, 2008**

(51) **LOC (9) Cl.** **10-04**

(52) **U.S. Cl.** **D10/70; D10/65**

(58) **Field of Classification Search** D10/46,
D10/65, 70; 340/942, 933, 436, 555, 556,
340/435, 425.5; 250/222.1, 221

See application file for complete search history.

(56) **References Cited**

U.S. PATENT DOCUMENTS

3,419,847	A	12/1968	Bonney	
3,716,833	A	2/1973	Roth	
4,284,971	A	8/1981	Lowry et al.	
4,383,238	A	5/1983	Endo	
4,833,469	A	5/1989	David	
D328,436	S *	8/1992	Fuerst et al.	D10/70
5,247,440	A	9/1993	Capurka et al.	
5,276,426	A	1/1994	LoBello	
D354,243	S	1/1995	Soares	
5,689,236	A	11/1997	Kister	
5,710,553	A	1/1998	Soares	
5,828,320	A	10/1998	Buck	
5,945,907	A	8/1999	Yaron et al.	
6,002,346	A	12/1999	Bowden et al.	

6,223,467	B1	5/2001	Mahalek et al.	
6,559,775	B1	5/2003	King	
6,581,006	B2	6/2003	Cazzell et al.	
7,236,103	B2 *	6/2007	Pammer et al.	340/942
7,579,965	B2 *	8/2009	Bucholz	340/933
7,605,692	B2 *	10/2009	Yamada et al.	340/425.5

FOREIGN PATENT DOCUMENTS

EP 0853298 A2 7/1998

* cited by examiner

Primary Examiner—Antoine D Davis

(74) *Attorney, Agent, or Firm*—TraskBritt

(57) **CLAIM**

The ornamental design for a vehicle roof rack obstacle detec-
tion sensor, as shown and described.

DESCRIPTION

FIG. 1 is a perspective view of the vehicle roof rack obstacle
detection sensor showing my new design;

FIG. 2 is a side view of the vehicle roof rack obstacle detec-
tion sensor shown in FIG. 1;

FIG. 3 is another side view of the vehicle roof rack obstacle
detection sensor shown in FIG. 1;

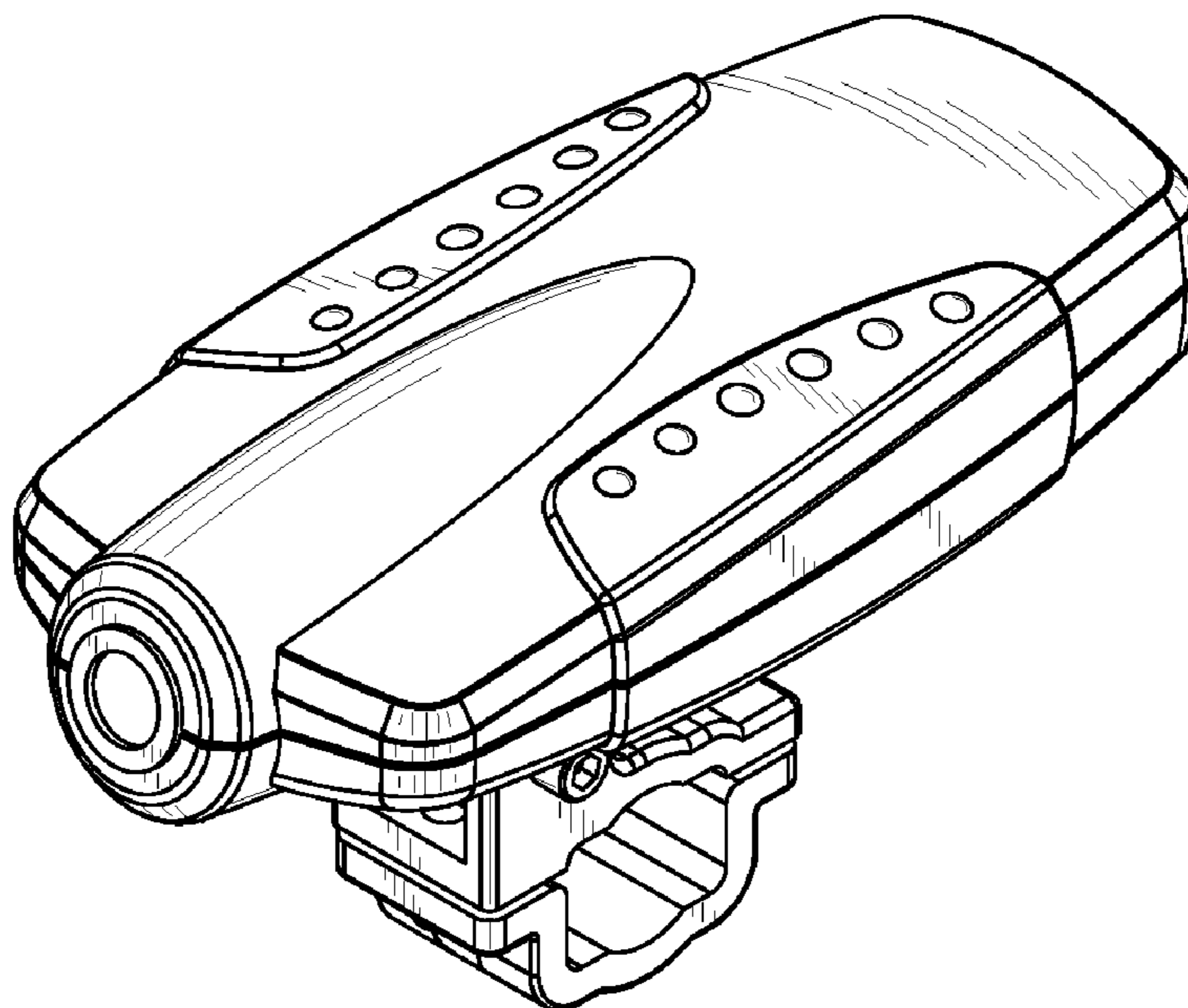
FIG. 4 is a top view of the vehicle roof rack obstacle detection
sensor shown in FIG. 1;

FIG. 5 is a bottom view of the vehicle roof rack obstacle
detection sensor shown in FIG. 1;

FIG. 6 is a front view of the vehicle roof rack obstacle detec-
tion sensor shown in FIG. 1; and,

FIG. 7 is a rear view of the vehicle roof rack obstacle detection
sensor shown in FIG. 1.

1 Claim, 2 Drawing Sheets



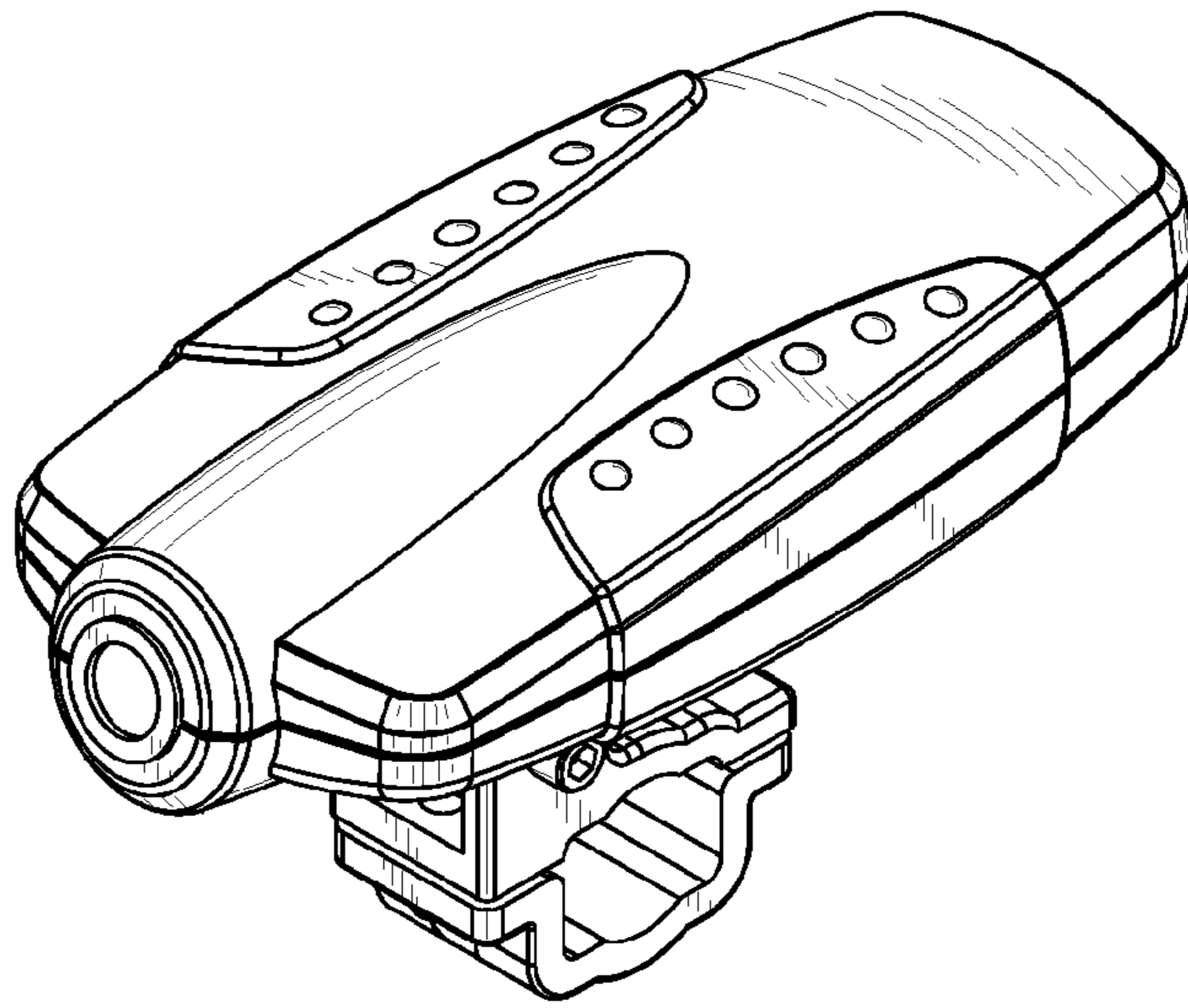


FIG. 1

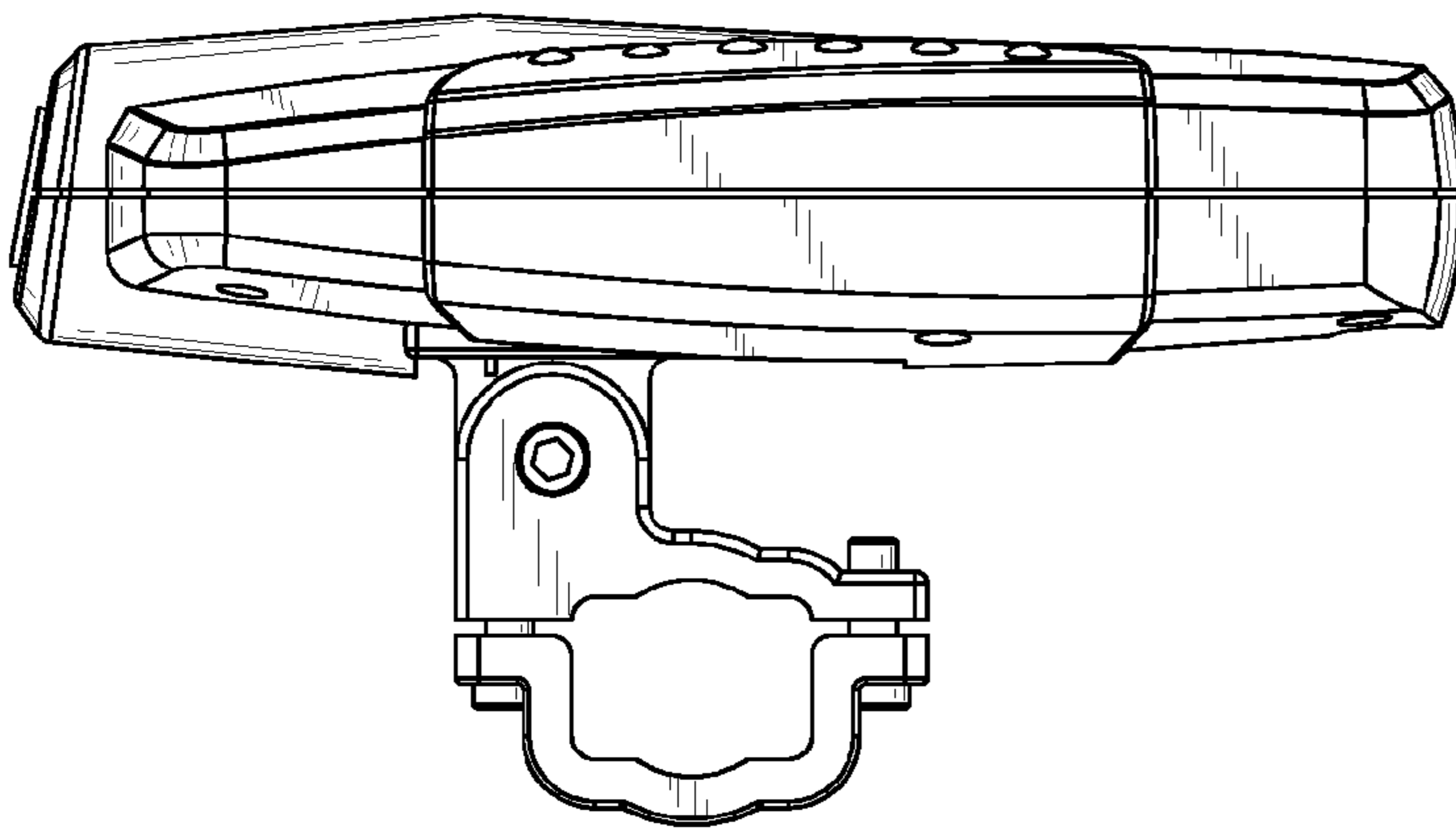


FIG. 2

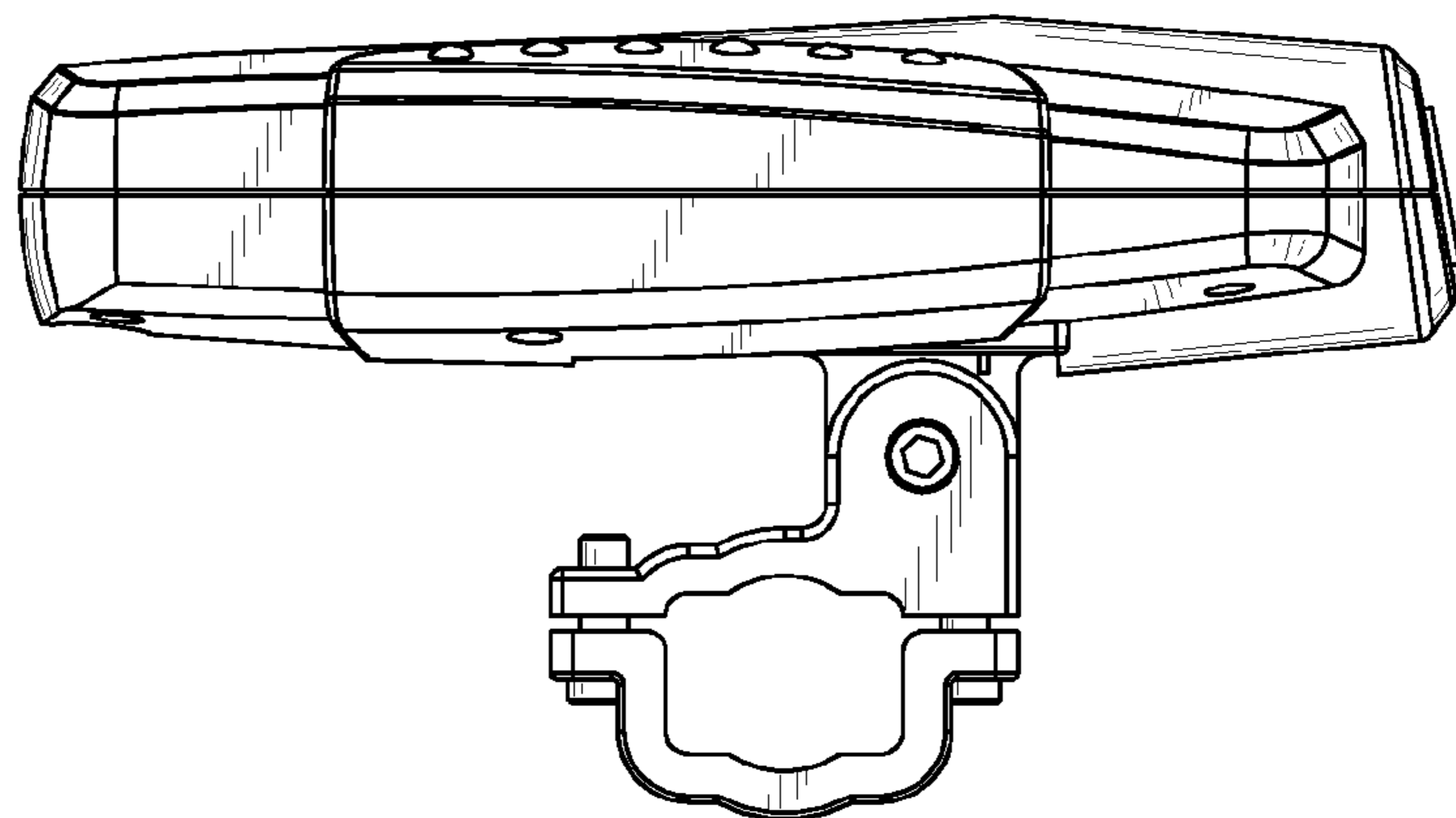


FIG. 3

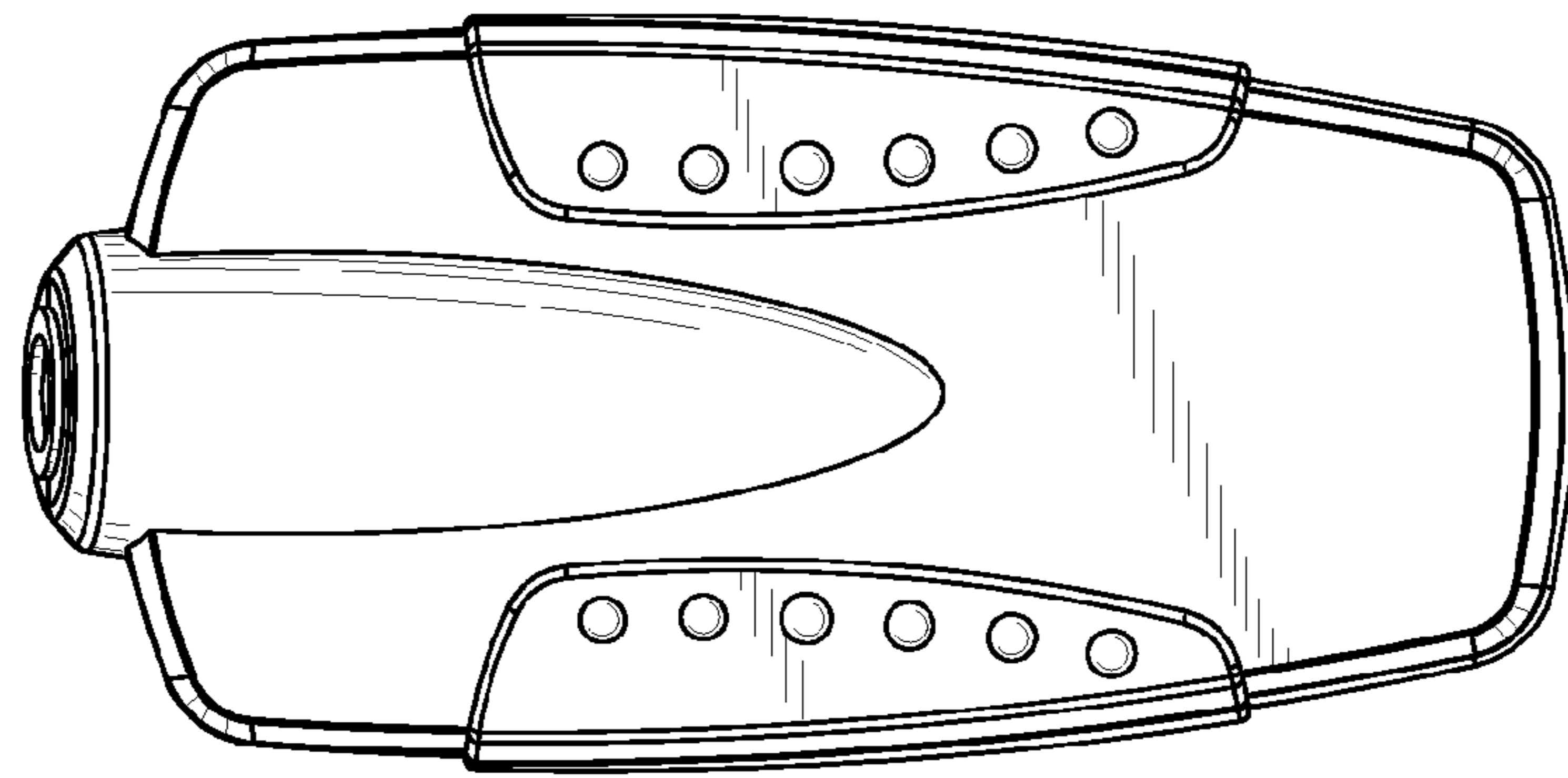


FIG. 4

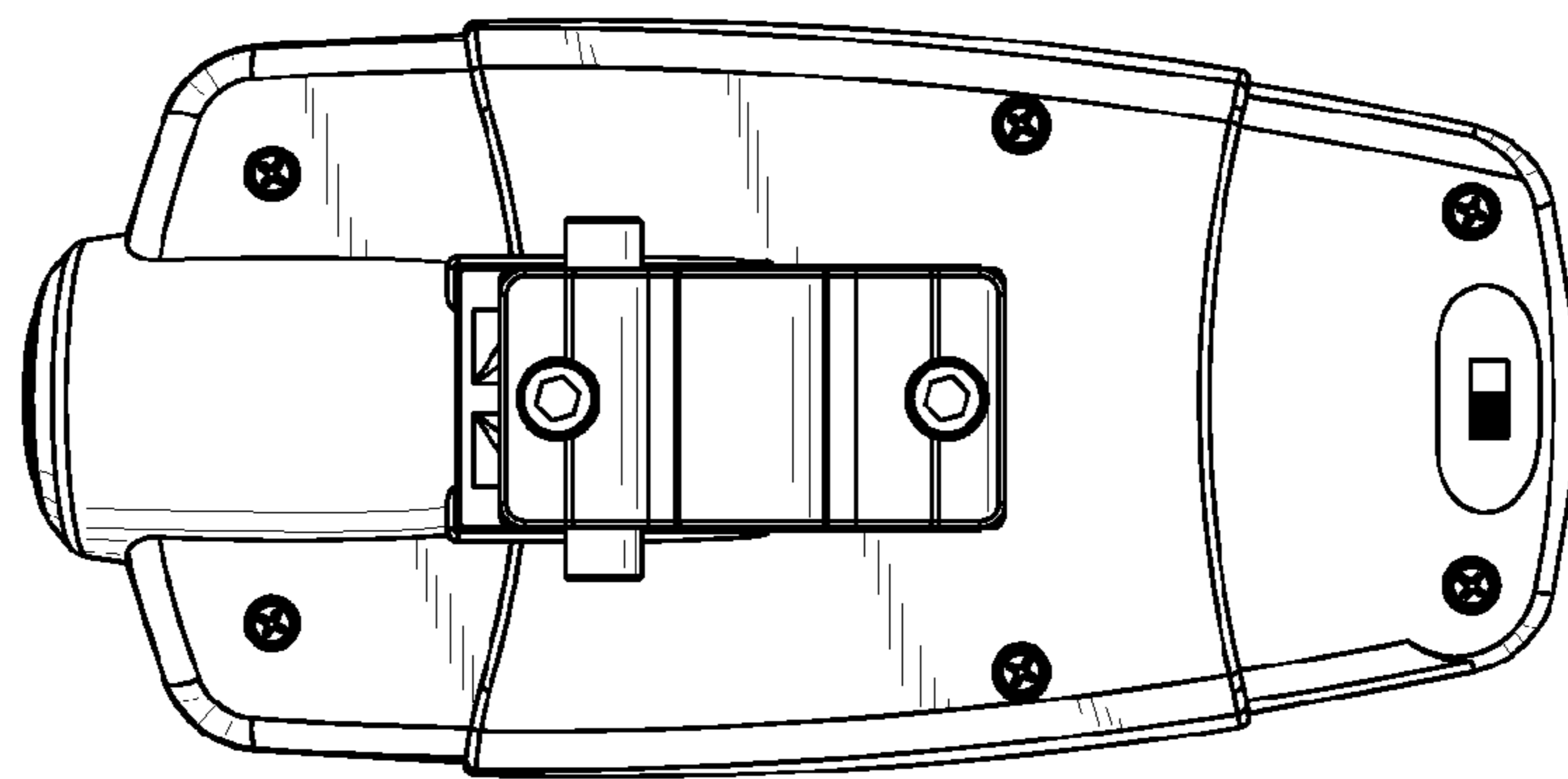


FIG. 5

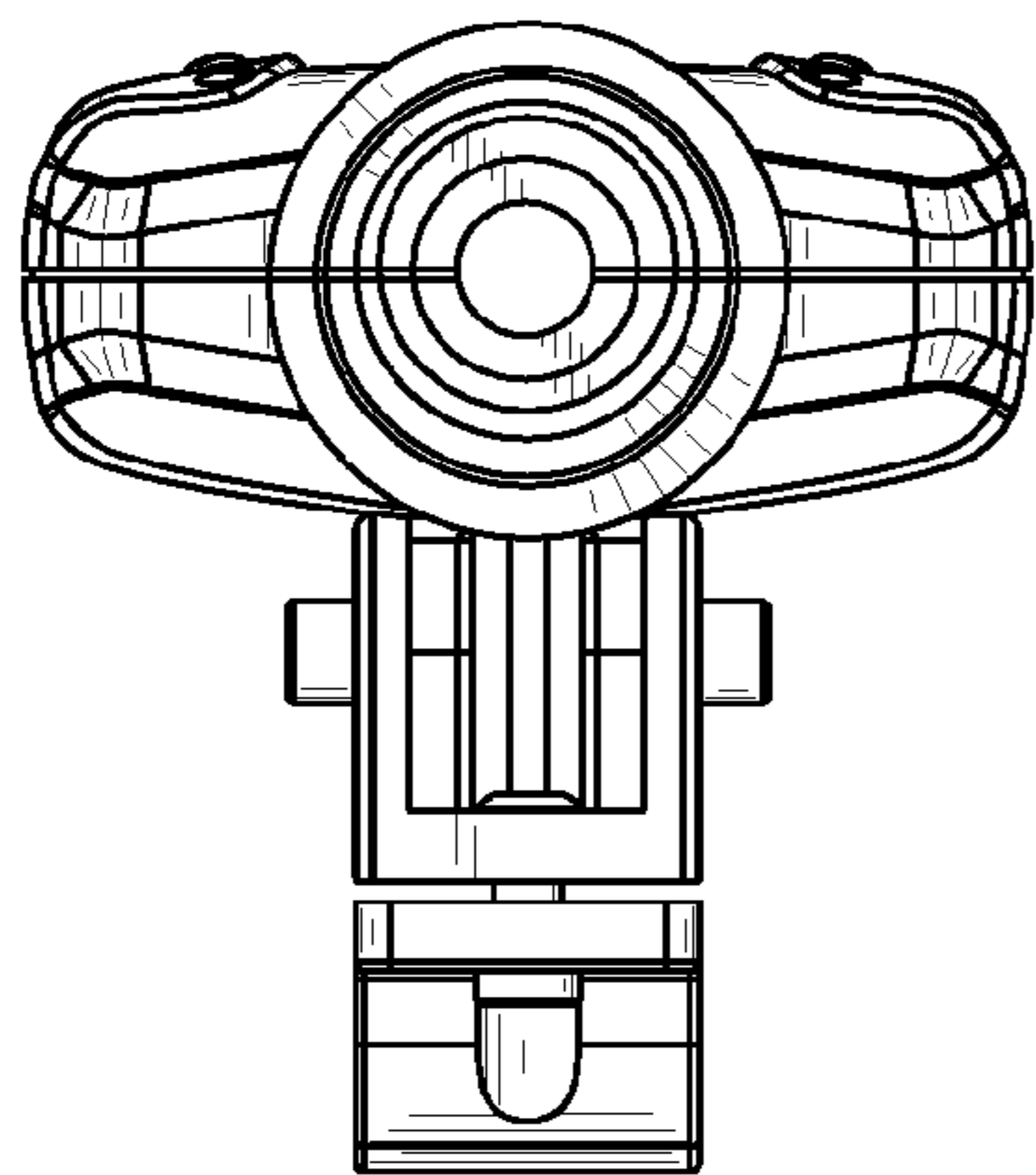


FIG. 6

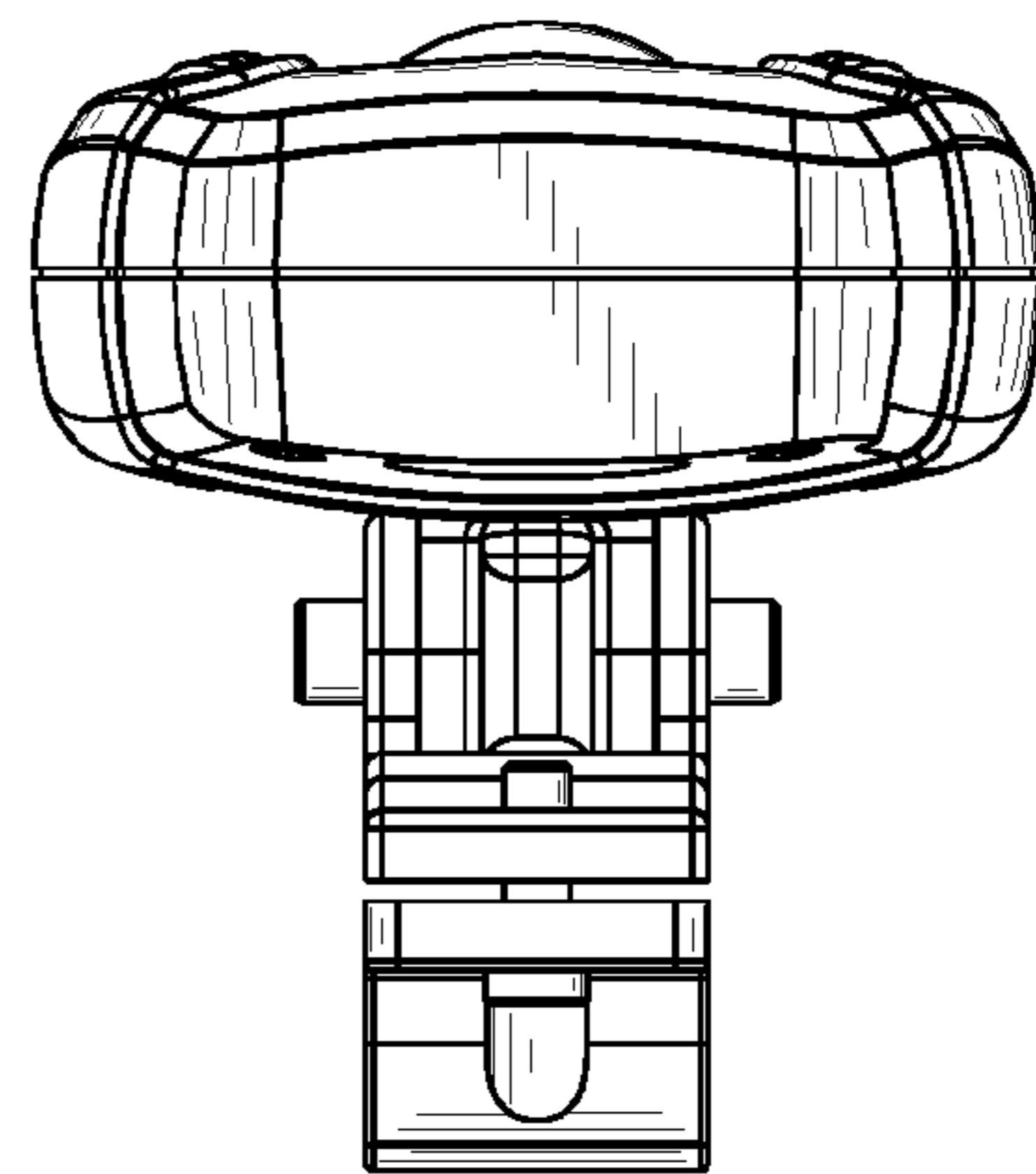


FIG. 7