



US00D626020S

(12) **United States Design Patent**  
**Sabaschkow**

(10) **Patent No.:** **US D626,020 S**

(45) **Date of Patent:** **\*\* Oct. 26, 2010**

(54) **SPIRIT LEVEL**

(75) Inventor: **Manfred Sabaschkow**, Volkersweiler (DE)

(73) Assignee: **Stabila Messgerate Gustav Ullrich GmbH**, Annweiler (DE)

(\*\*) Term: **14 Years**

(21) Appl. No.: **29/355,862**

(22) Filed: **Feb. 16, 2010**

(51) **LOC (9) Cl.** ..... **10-04**

(52) **U.S. Cl.** ..... **D10/69**

(58) **Field of Classification Search** ..... D10/69;  
33/365, 366.11-366.27, 367-391  
See application file for complete search history.

(56) **References Cited**

**U.S. PATENT DOCUMENTS**

D537,373 S \* 2/2007 Lin ..... D10/69

\* cited by examiner

*Primary Examiner*—Antoine D Davis

(74) *Attorney, Agent, or Firm*—Dennison, Schultz & MacDonald

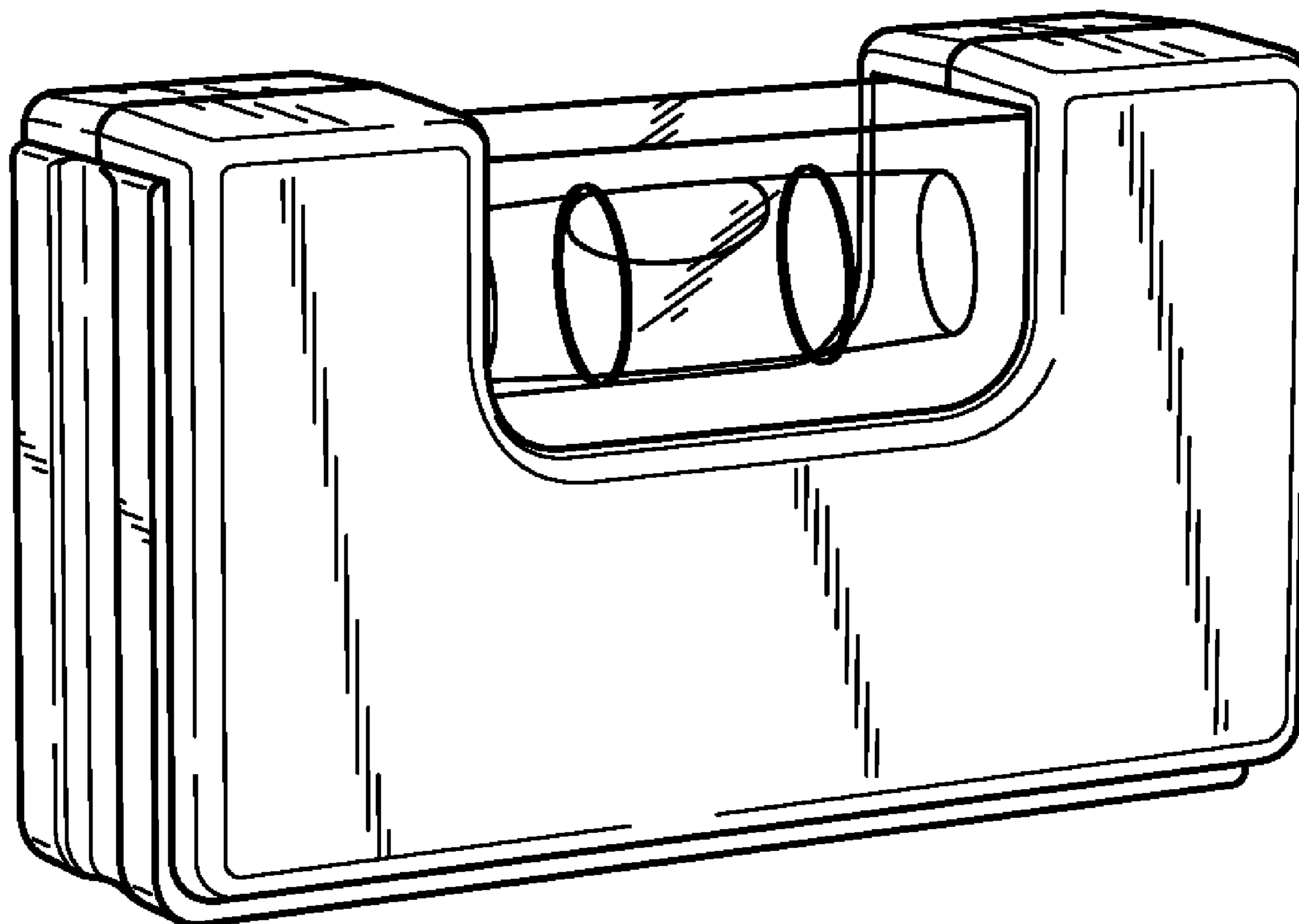
(57) **CLAIM**

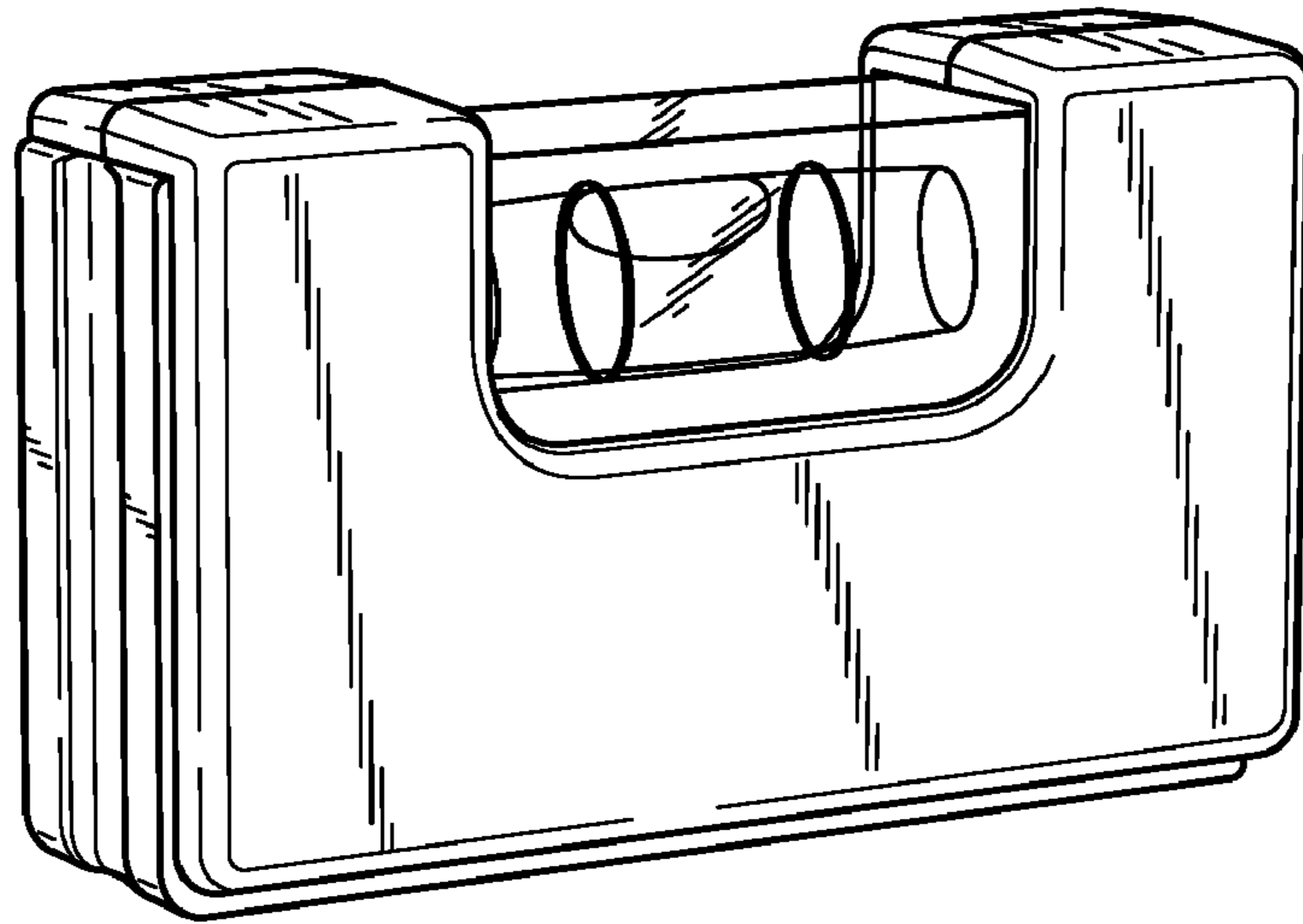
The ornamental design for a spirit level, as shown and described.

**DESCRIPTION**

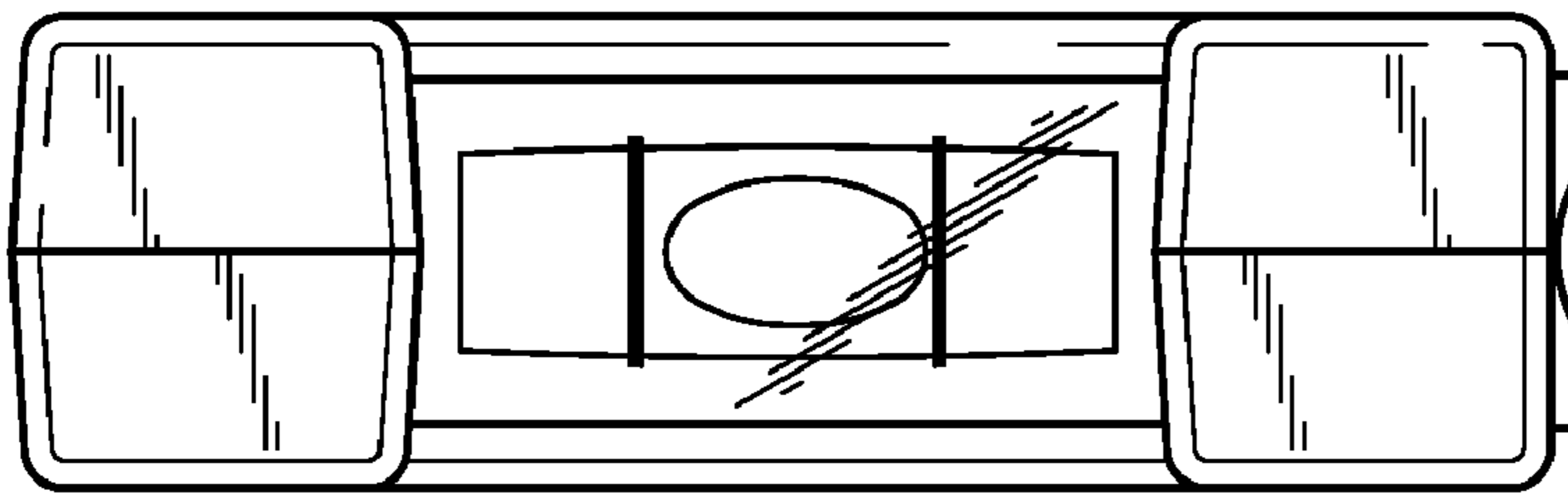
FIG. 1 is a perspective view of the spirit level;  
FIG. 2 is a top view of the spirit level;  
FIG. 3 is a rear view of the spirit level;  
FIG. 4 is a first end face view of the spirit level;  
FIG. 5 is a front view of the spirit level;  
FIG. 6 is a second end face view of the spirit level; and,  
FIG. 7 is a bottom view of the spirit level.

**1 Claim, 2 Drawing Sheets**

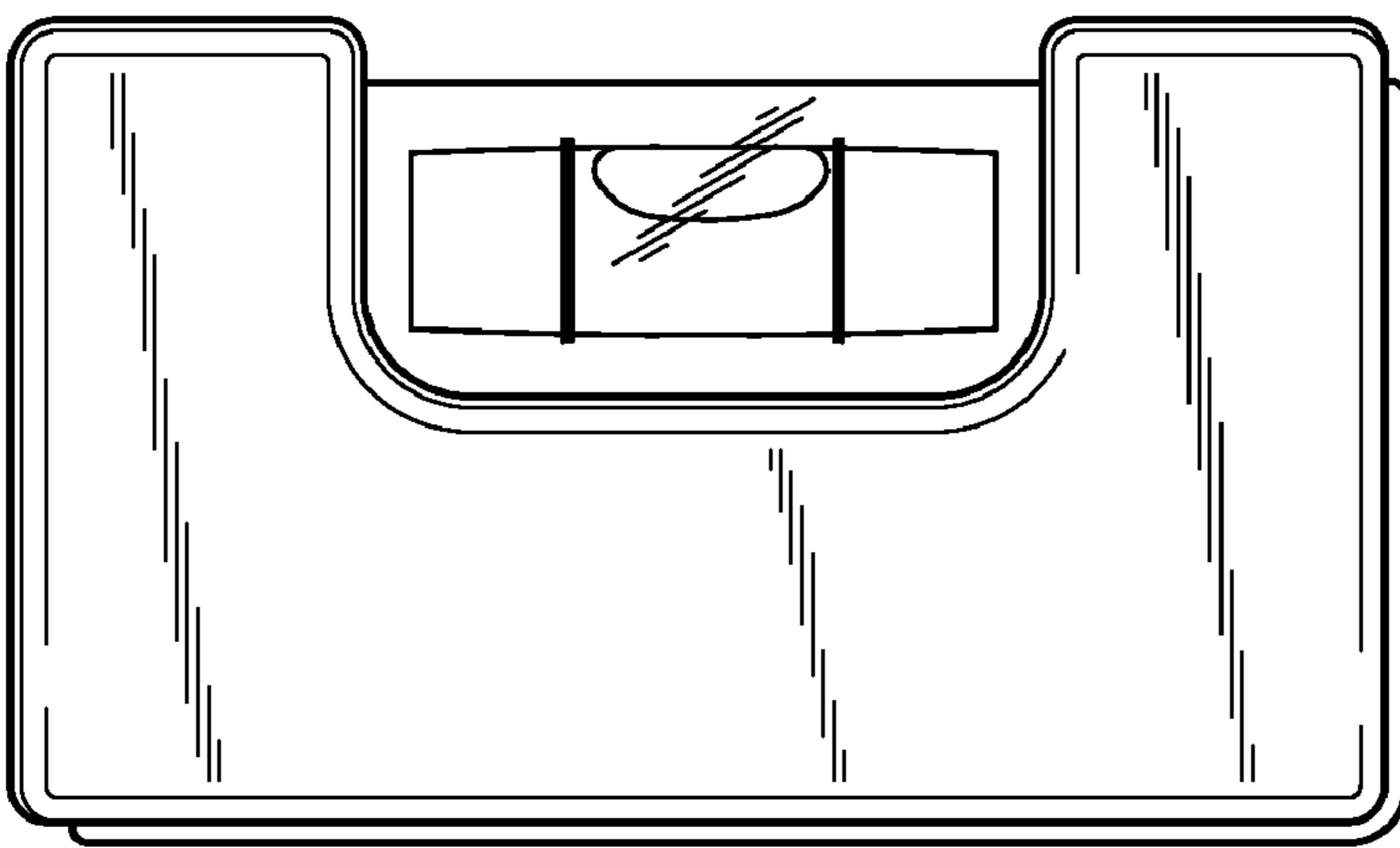




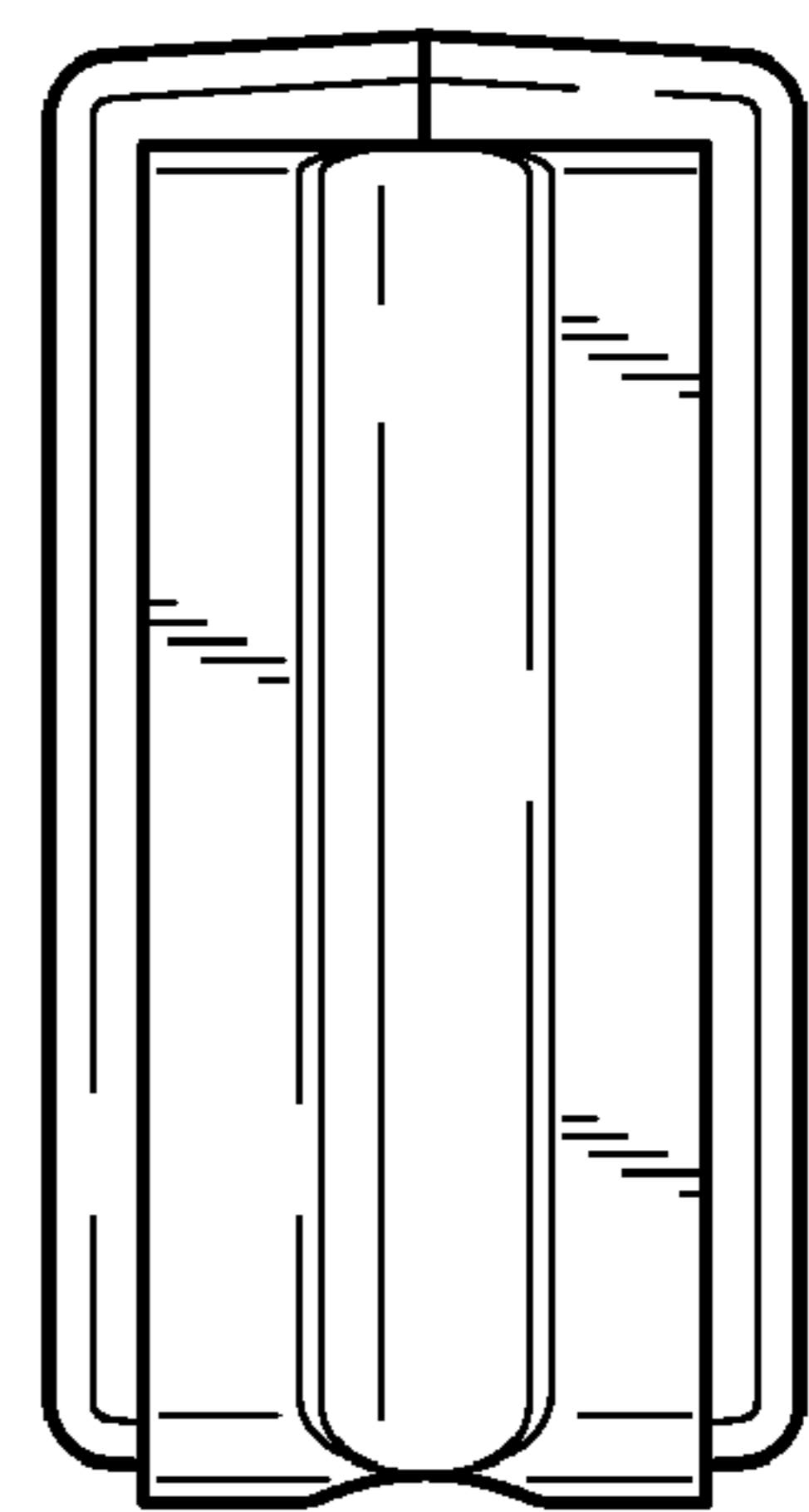
**Fig. 1**



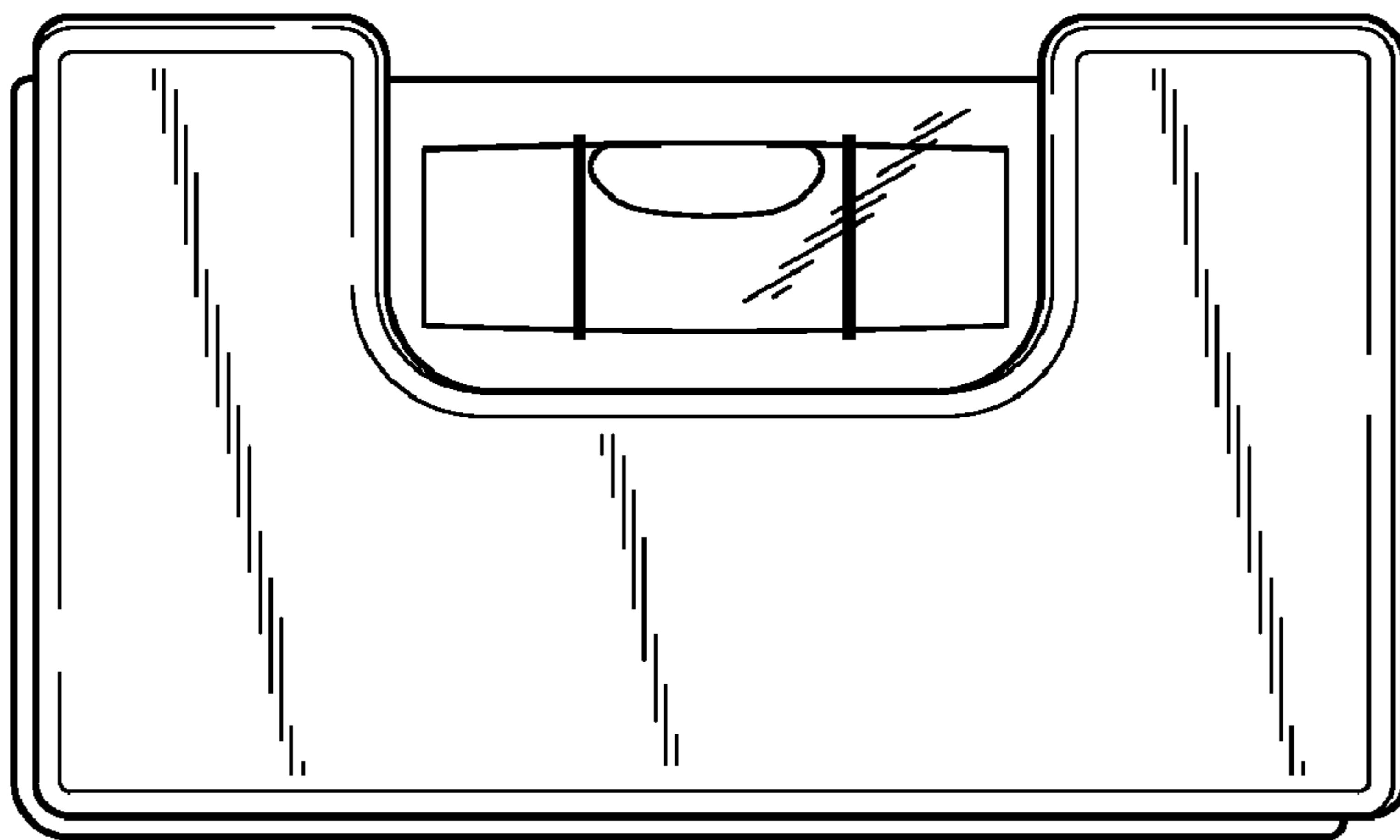
**Fig. 2**



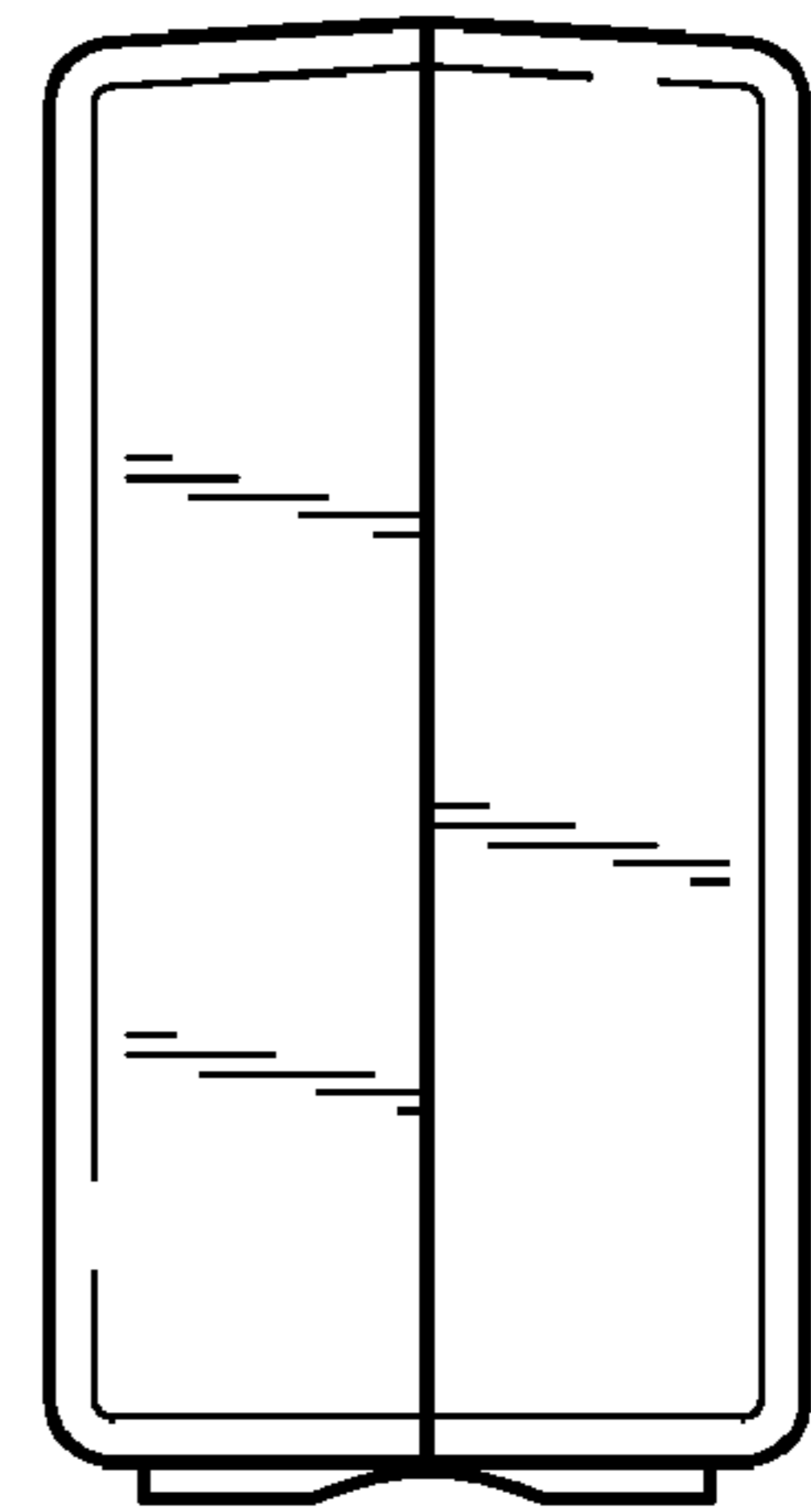
**Fig. 3**



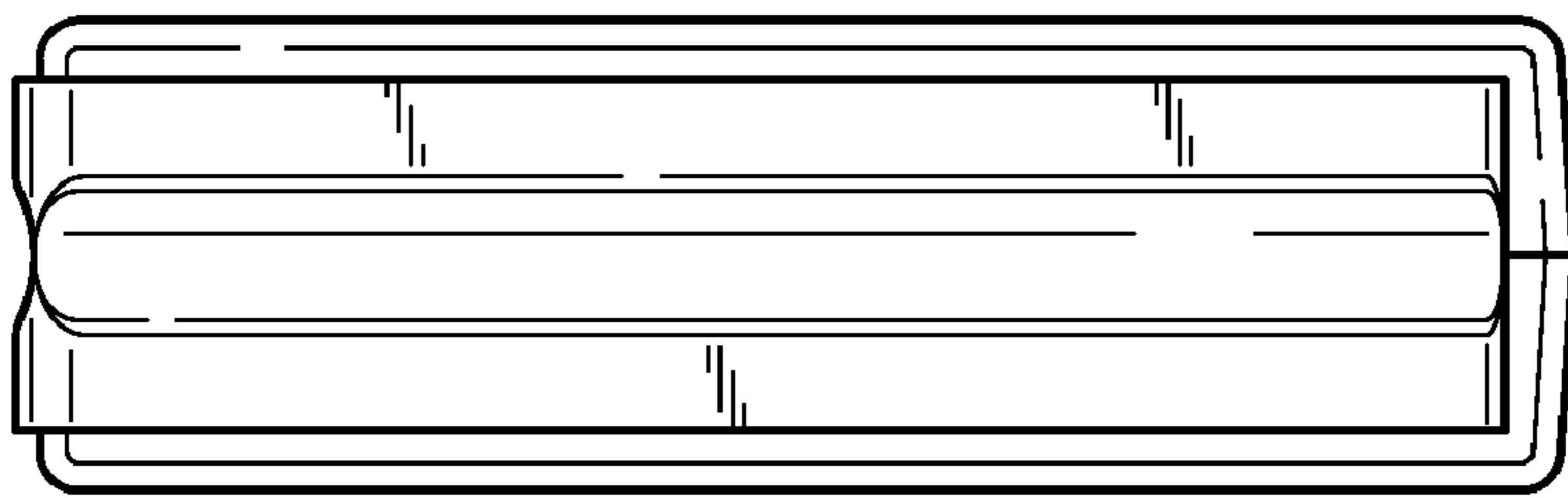
**Fig. 4**



**Fig. 5**



**Fig. 6**



**Fig. 7**