

US00D626019S

(12) **United States Design Patent**  
**Kao**

(10) **Patent No.:** **US D626,019 S**

(45) **Date of Patent:** **\*\* Oct. 26, 2010**

(54) **GPS NAVIGATOR FOR CAR**

(75) Inventor: **Hsing-Yi Kao**, Tu-Cheng (TW)

(73) Assignee: **Cheng Uei Precision Industry Co., Ltd.**, Tu-Cheng, Taipei Hsien (TW)

(\*\*) Term: **14 Years**

(21) Appl. No.: **29/354,112**

(22) Filed: **Jan. 19, 2010**

(51) **LOC (9) Cl.** ..... **10-04**

(52) **U.S. Cl.** ..... **D10/65**

(58) **Field of Classification Search** ..... D10/65,  
D10/70; D14/347; 342/351, 419, 457, 357.06–357.16;  
343/702; 345/87, 104, 133, 156, 168, 173,  
345/901–905; 348/180, 184, 315, 739; 364/444,  
364/499; 701/206–209, 213–214  
See application file for complete search history.

(56) **References Cited**

**U.S. PATENT DOCUMENTS**

D506,937	S	*	7/2005	Lee et al.	.....	D10/65
D515,441	S	*	2/2006	Shindo	.....	D10/65
D540,203	S	*	4/2007	Jeon	.....	D10/65
D541,682	S	*	5/2007	Uno	.....	D10/65
D543,876	S	*	6/2007	Kalis et al.	.....	D10/65
7,236,159	B1	*	6/2007	Siversson	.....	345/173
7,262,761	B1	*	8/2007	Duarte et al.	.....	345/168
7,310,050	B2	*	12/2007	Yeh	.....	340/815.83
D558,619	S	*	1/2008	Bloem	.....	D10/65

D561,616	S	*	2/2008	Park et al.	.....	D10/65
D561,619	S	*	2/2008	Miyawaki	.....	D10/65
D563,245	S	*	3/2008	Deboves et al.	.....	D10/65
D571,235	S	*	6/2008	Stevens et al.	.....	D10/65
D574,272	S	*	8/2008	Stevens et al.	.....	D10/65
2009/0160803	A1	*	6/2009	Hashimoto	.....	345/173
2009/0174611	A1	*	7/2009	Schlub et al.	.....	343/702
2009/0219259	A1	*	9/2009	Kwon	.....	345/173

\* cited by examiner

*Primary Examiner*—Antoine D Davis

(74) *Attorney, Agent, or Firm*—Cheng-Ju Chiang

(57) **CLAIM**

The ornamental design for a GPS navigator for car, as shown and described.

**DESCRIPTION**

FIG. 1 is a perspective view of a GPS navigator for car showing my new design;

FIG. 2 is a front elevational view thereof;

FIG. 3 is a rear elevational view thereof;

FIG. 4 is a left side elevational view thereof;

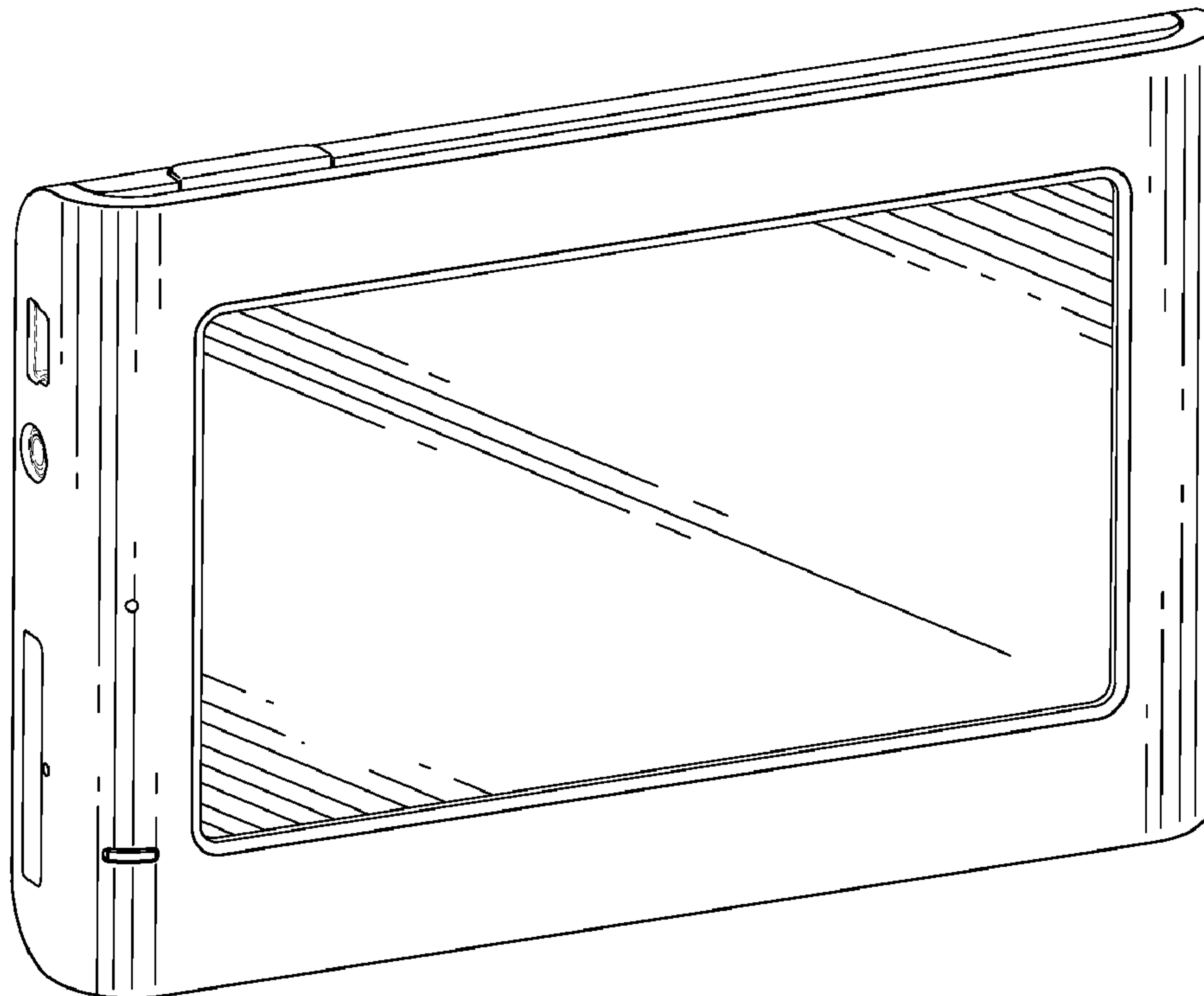
FIG. 5 is a right side elevational view thereof;

FIG. 6 is a top plan view thereof; and,

FIG. 7 is a bottom plan view thereof.

The broken lines in the Figures are for illustrative purposes and form no part of the claimed designs.

**1 Claim, 7 Drawing Sheets**



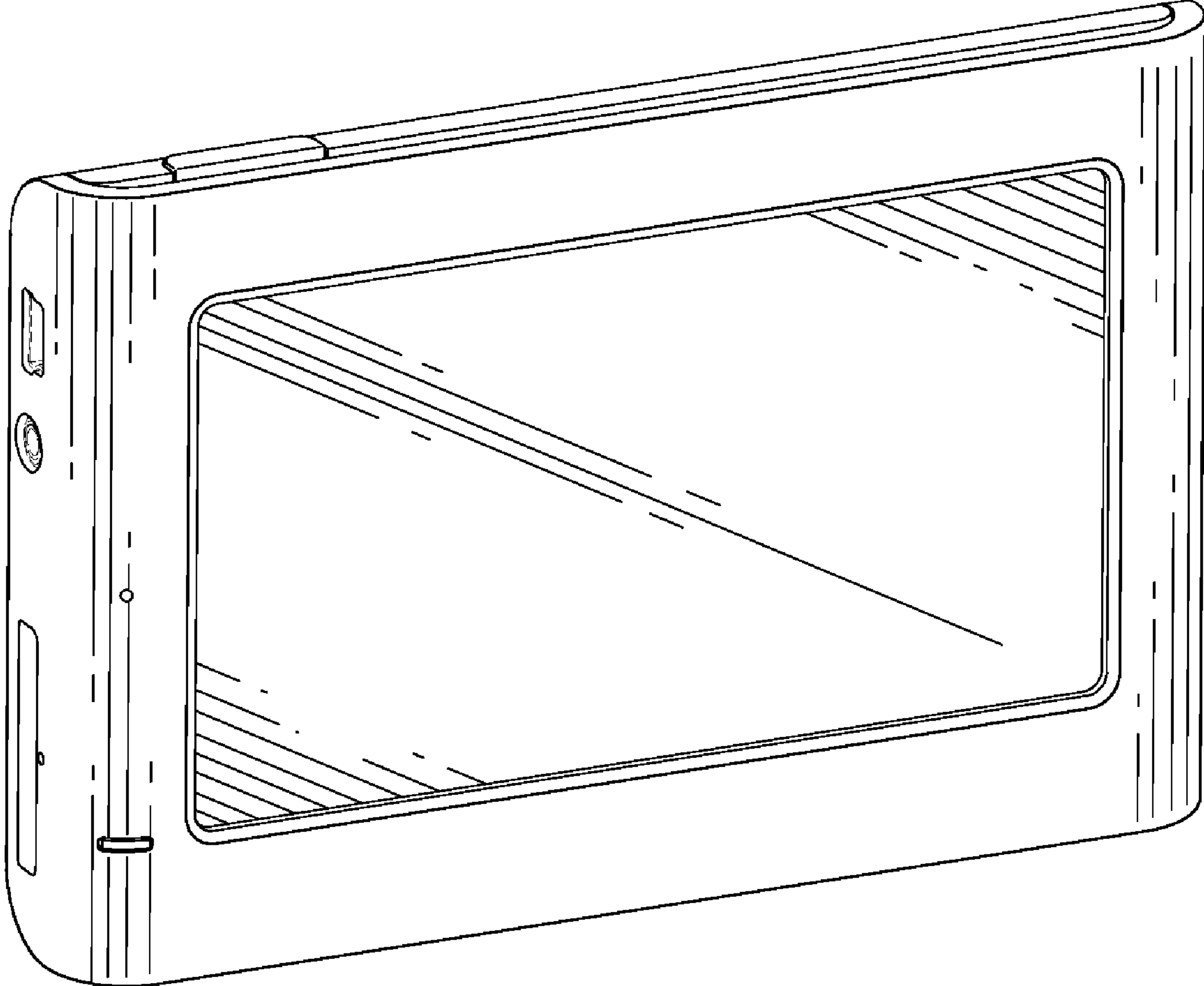


FIG. 1

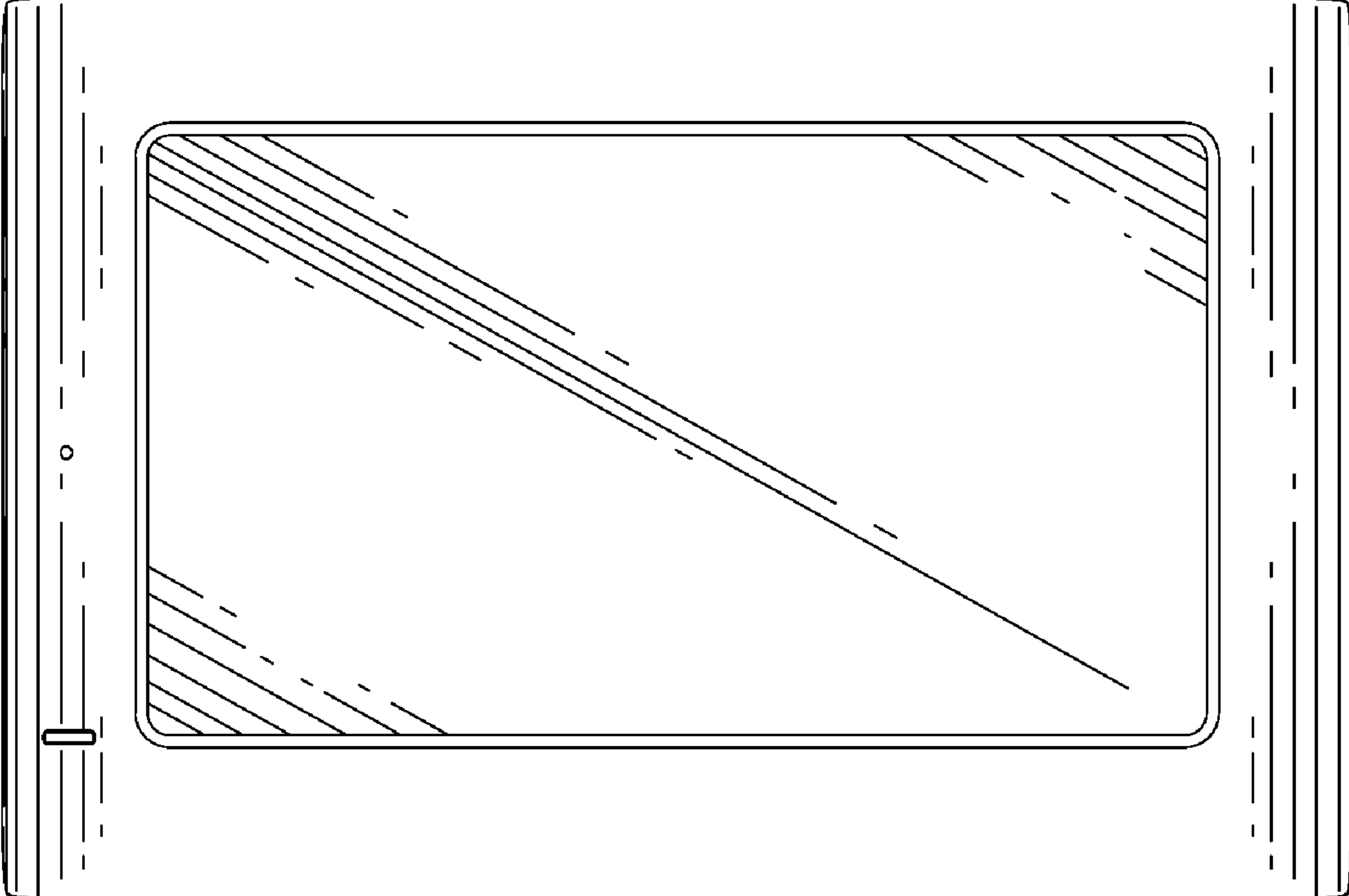


FIG. 2

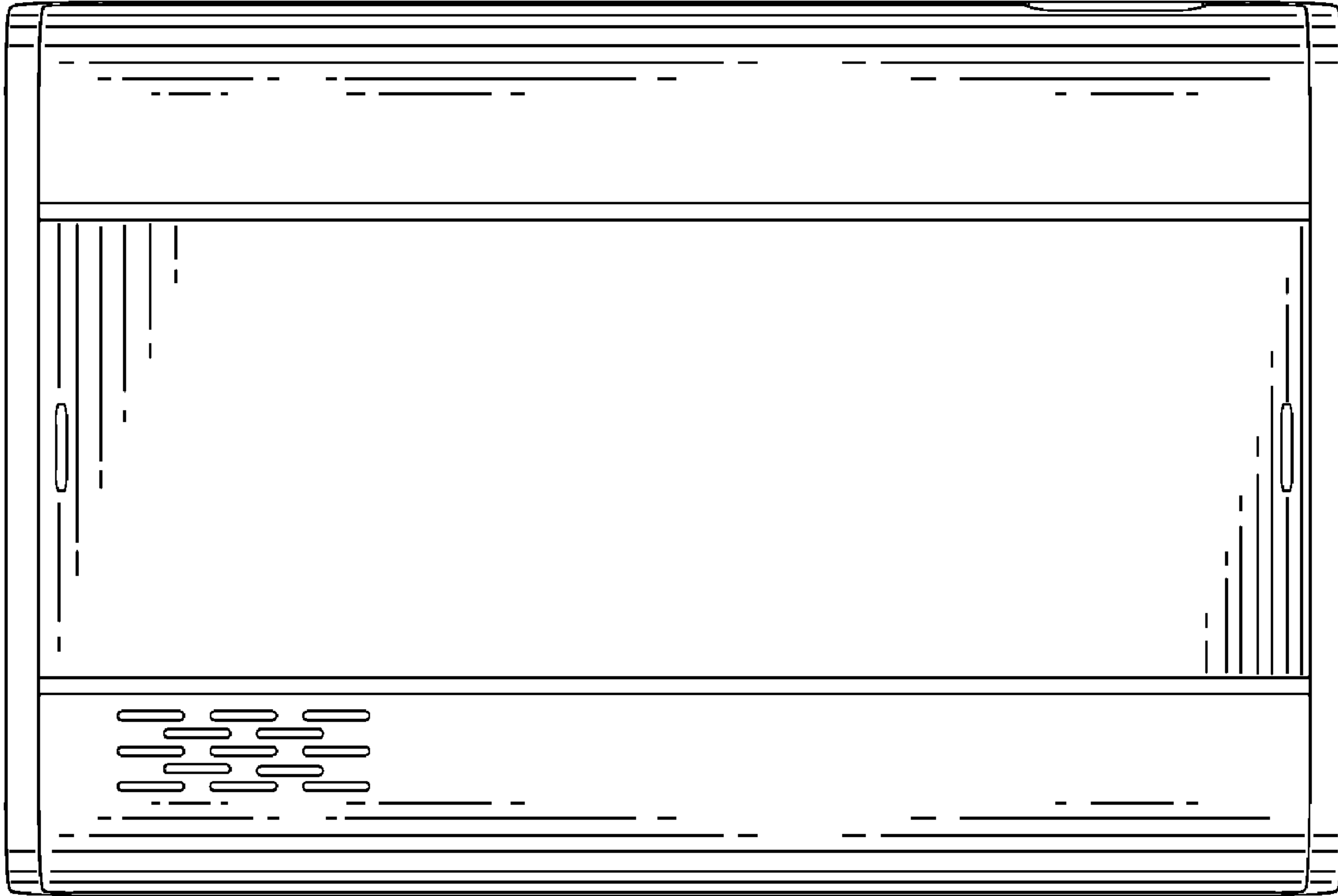


FIG. 3

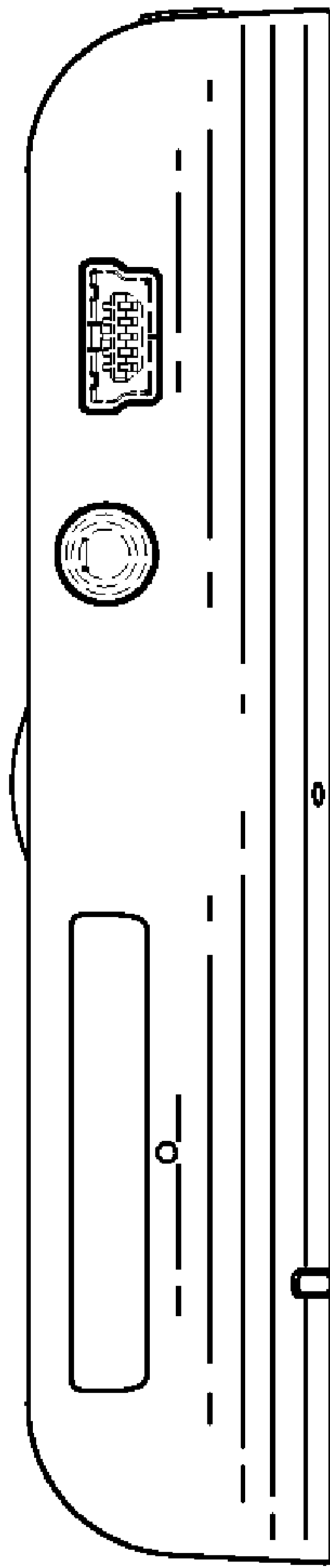


FIG. 4

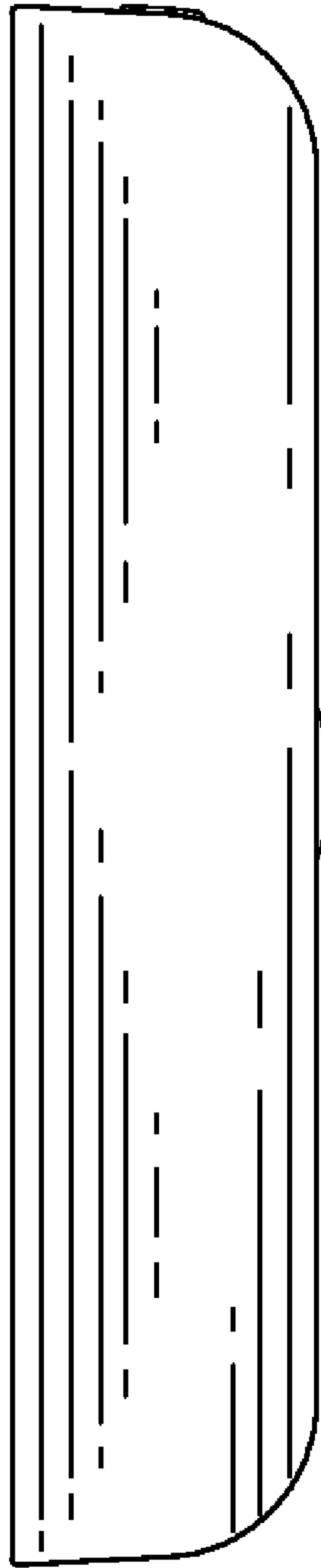


FIG. 5

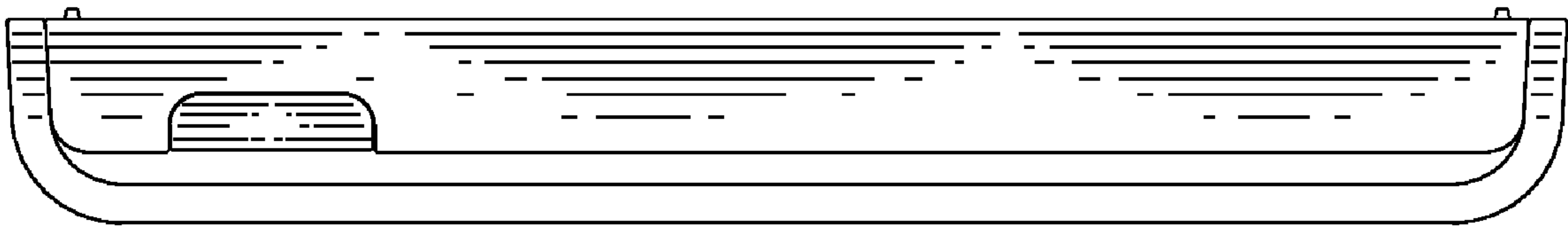


FIG. 6

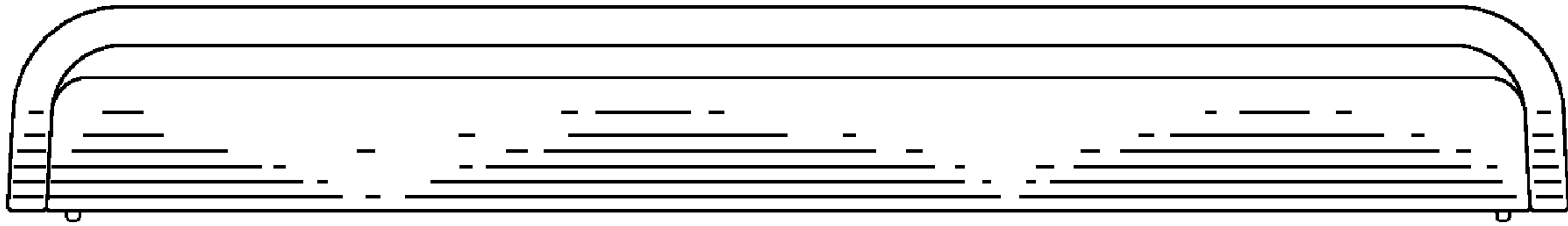


FIG. 7