



US00D626016S

(12) **United States Design Patent**  
**Lin**

(10) **Patent No.:** **US D626,016 S**

(45) **Date of Patent:** **\*\* Oct. 26, 2010**

(54) **CLOCK**

(75) Inventor: **Yi Hsuan Lin**, San Jose, CA (US)

(73) Assignee: **Billes Products, L.L.C.**, New Orleans, LA (US)

(\*\*) Term: **14 Years**

(21) Appl. No.: **29/340,159**

(22) Filed: **Jul. 14, 2009**

(51) **LOC (9) Cl.** ..... **10-01**

(52) **U.S. Cl.** ..... **D10/22; D10/1**

(58) **Field of Classification Search** ..... D10/1-29;  
368/80, 223, 228, 232, 276, 316

See application file for complete search history.

(56) **References Cited**

U.S. PATENT DOCUMENTS

D217,506 S *	5/1970	Knoetgen	.....	D16/135
D276,506 S *	11/1984	Henkels	.....	D10/23
D292,677 S *	11/1987	Jordi	.....	D10/31
D295,501 S *	5/1988	Brayford	.....	D10/31
D299,011 S *	12/1988	Brussing	.....	D10/23
D302,126 S *	7/1989	Sugano	.....	D10/22
D329,610 S *	9/1992	Lara	.....	D10/21
D346,973 S *	5/1994	Moore et al.	.....	D10/31
D349,652 S *	8/1994	Grant, Jr.	.....	D10/2

D359,914 S *	7/1995	Wilson	.....	D10/22
D361,273 S *	8/1995	Maple	.....	D10/1
D413,272 S *	8/1999	Duke	.....	D10/22
D417,398 S *	12/1999	Fernekes et al.	.....	D10/1
D436,373 S *	1/2001	Mershon	.....	D19/34
D452,167 S *	12/2001	Leyde et al.	.....	D10/18
D553,511 S *	10/2007	Sacca	.....	D10/22
D596,508 S *	7/2009	Warren	.....	D10/31
D599,857 S *	9/2009	Weinstein et al.	.....	D20/20

\* cited by examiner

*Primary Examiner*—Lucy Lieberman

(74) *Attorney, Agent, or Firm*—Roy Kiesel, a PLC

(57) **CLAIM**

The ornamental design for a clock, as shown.

**DESCRIPTION**

FIG. 1 is a perspective view of a clock incorporating the inventive design.

FIG. 2 is a top view thereof;

FIG. 3 is a bottom view thereof;

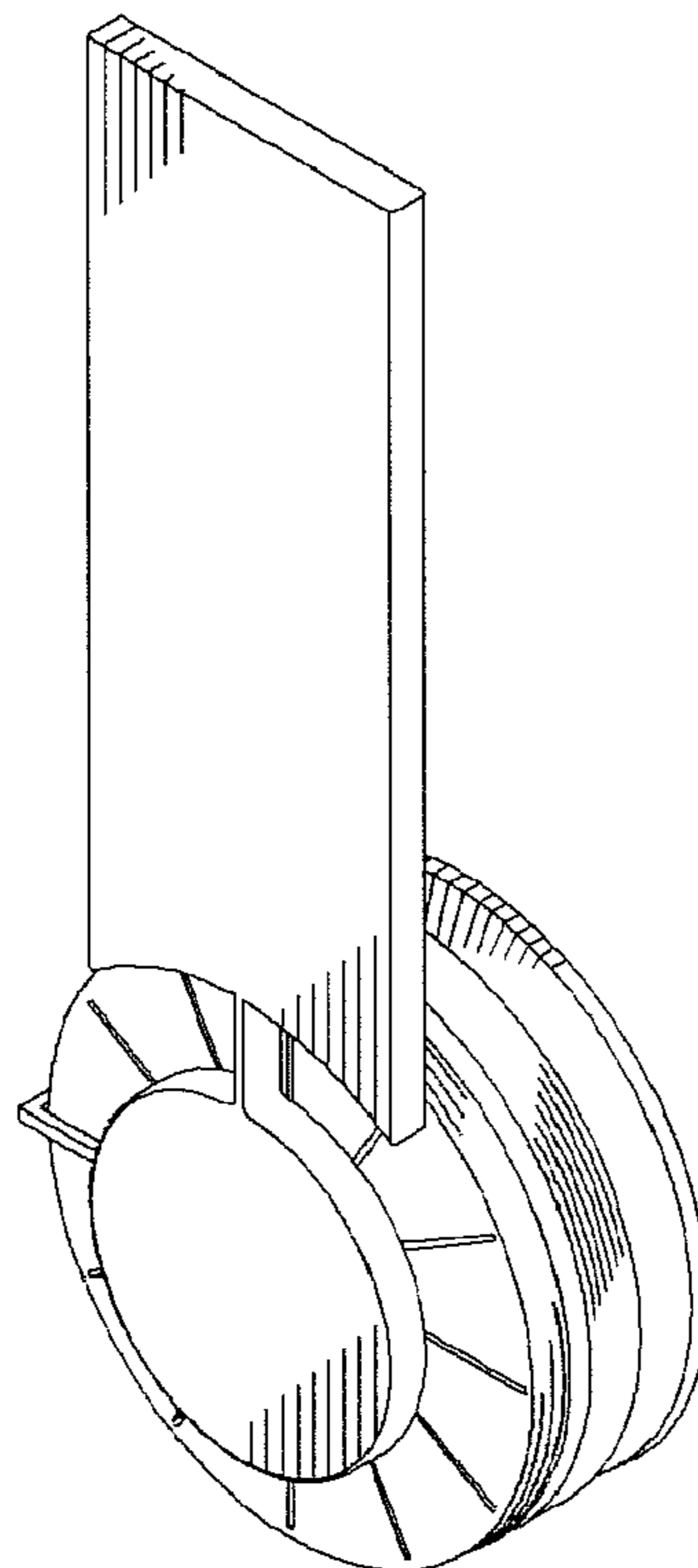
FIG. 4 is a front view thereof;

FIG. 5 is a back view thereof;

FIG. 6 is a right view thereof; and,

FIG. 7 is a left view thereof.

**1 Claim, 4 Drawing Sheets**



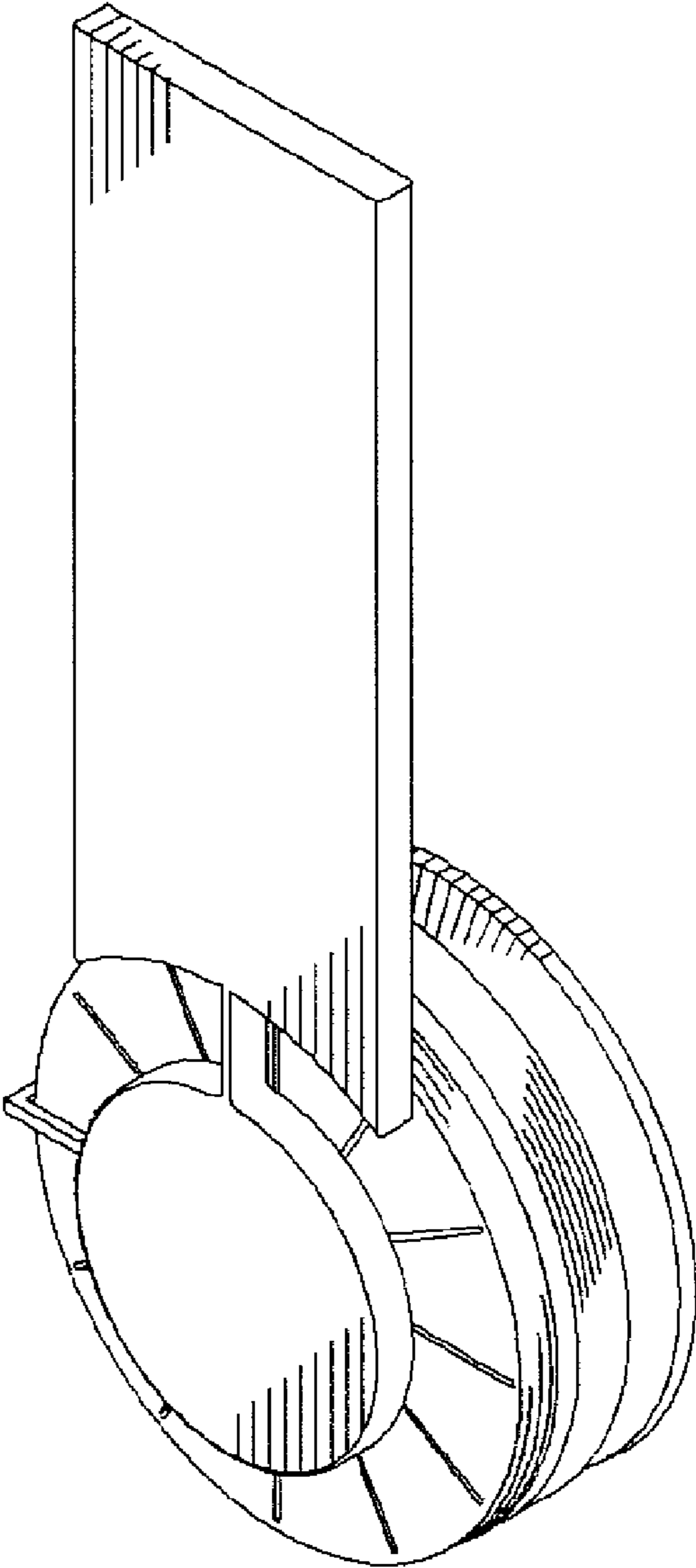


FIG. 1

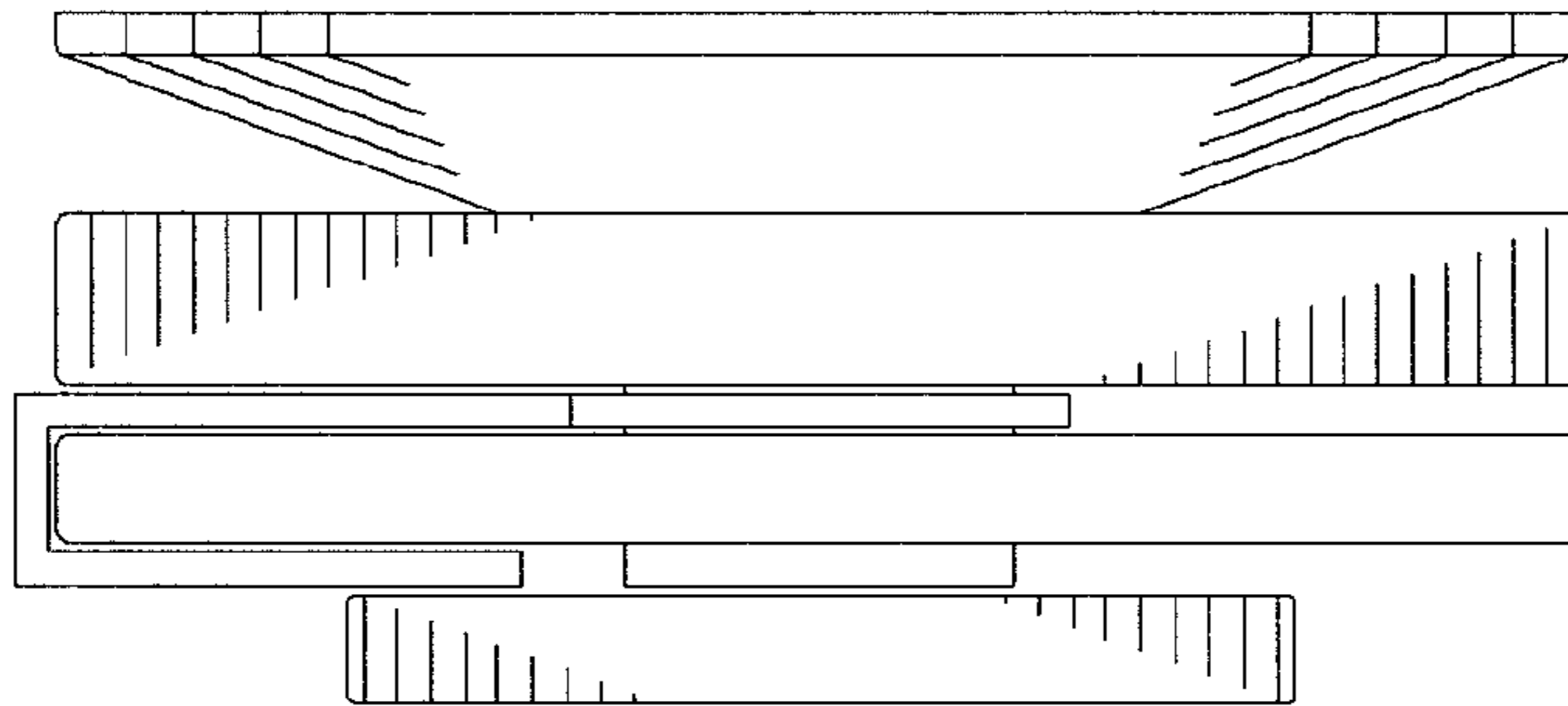


FIG. 2

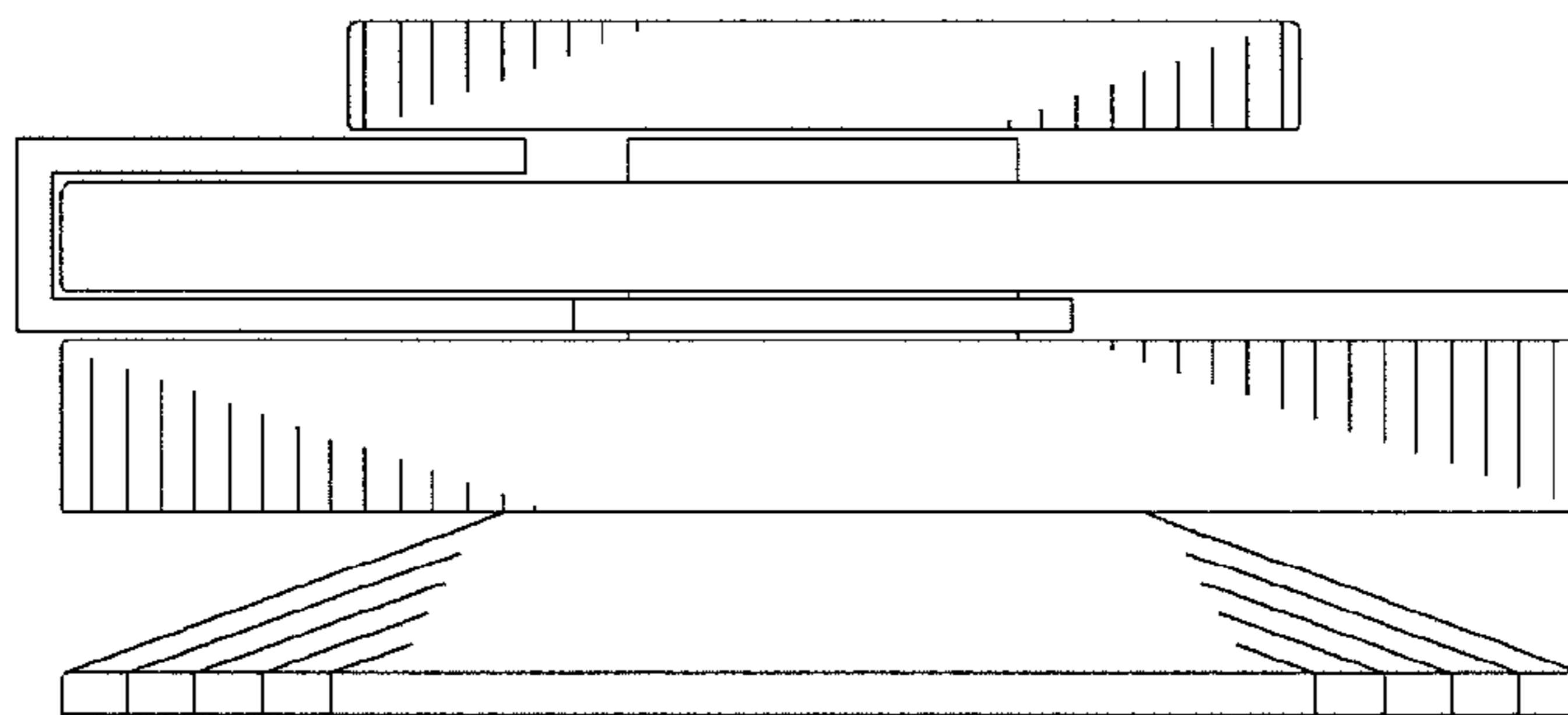


FIG. 3

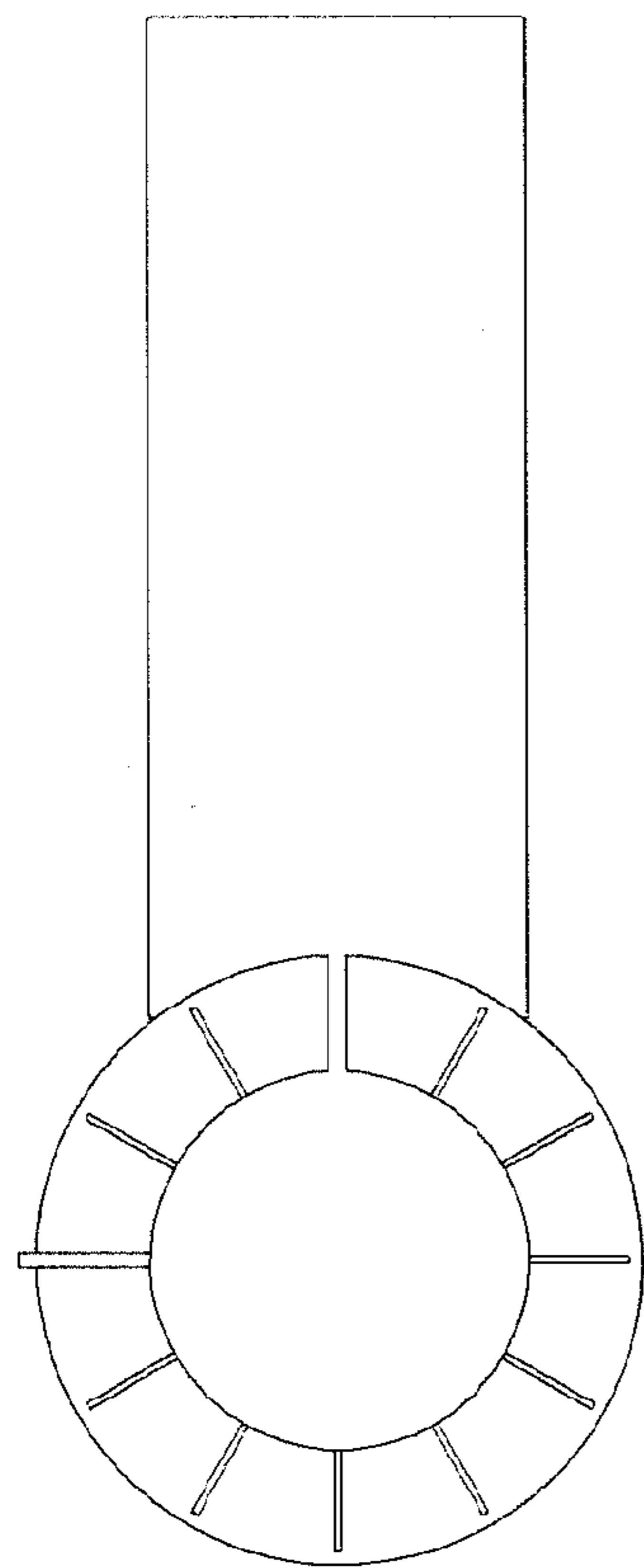


FIG. 4

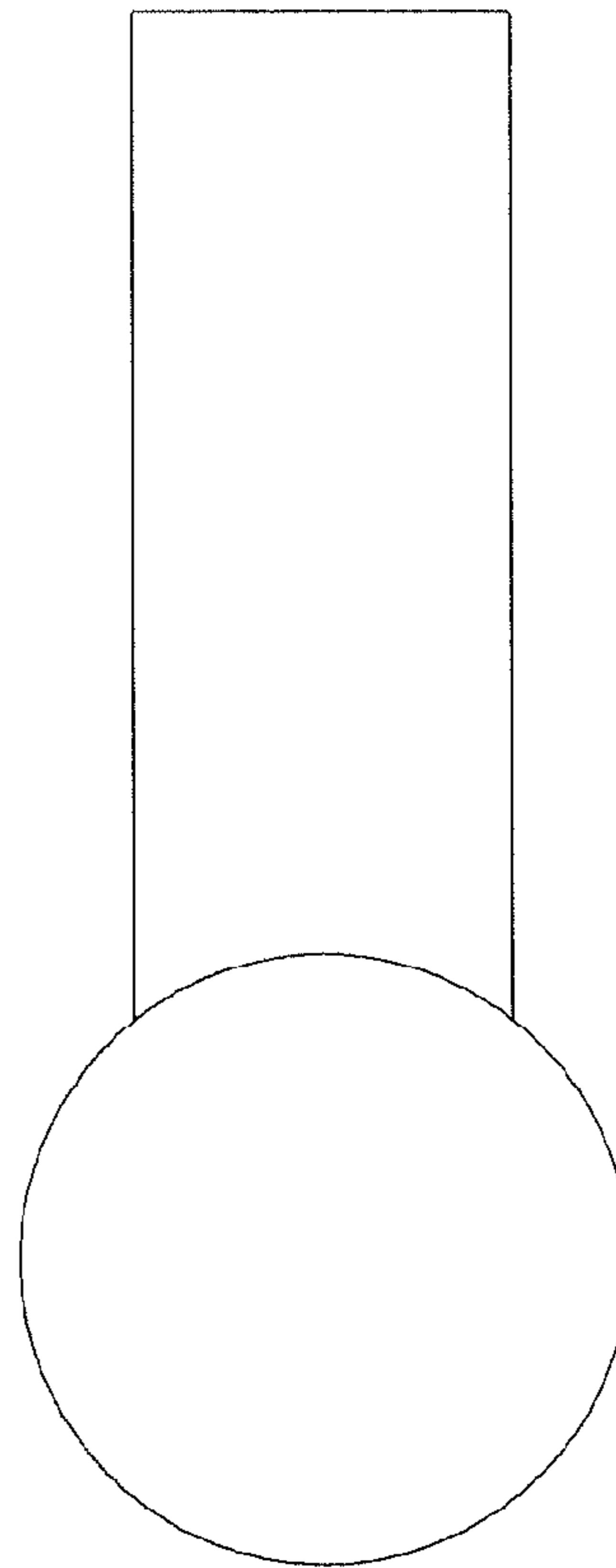


FIG. 5

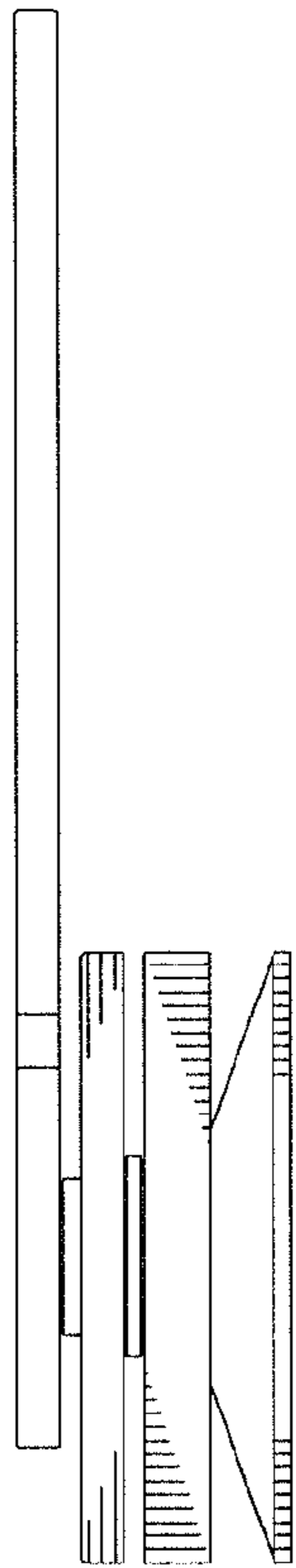


FIG. 6

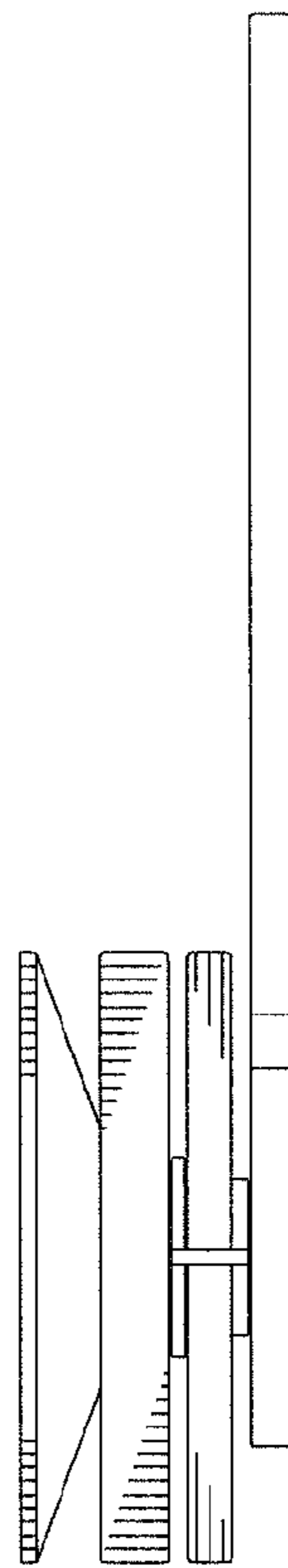


FIG. 7