



US00D626014S

(12) **United States Design Patent**
Fosse et al.

(10) **Patent No.:** **US D626,014 S**
(45) **Date of Patent:** **** Oct. 26, 2010**

(54) **EGG CLAMSHELL CONTAINER**

(57) **CLAIM**

(75) Inventors: **David B. Fosse**, Saint Francis, MN (US);
Daniel K. Fosse, Cambridge, MN (US)

The ornamental design for an egg clamshell container, as shown and described.

(73) Assignee: **Lindar Corporation**, Baxter, MN (US)

DESCRIPTION

(**) Term: **14 Years**

FIG. 1 is an isometric view of an egg clamshell container in an open position;

(21) Appl. No.: **29/348,863**

FIG. 2 is a right side view of the egg clamshell container in an open position;

(22) Filed: **Feb. 16, 2010**

FIG. 3 is a left side view of the egg clamshell container in an open position;

(51) **LOC (9) Cl.** **09-03**

FIG. 4 is a front view of the egg clamshell container in an open position;

(52) **U.S. Cl.** **D9/757; D9/762**

FIG. 5 is a rear view of the egg clamshell container in an open position;

(58) **Field of Classification Search** D9/762,
D9/757, 737, 761, 420, 425, 426, 456; D7/611;
206/521, 521.1, 521.3, 521.4, 521.6, 521.8,
206/521.9, 564; 220/508; 229/406

FIG. 6 is a top view of the egg clamshell container in an open position;

See application file for complete search history.

FIG. 7 is a bottom view of the egg clamshell container in an open position;

(56) **References Cited**

FIG. 8 is an isometric view of the egg clamshell container in a closed position;

U.S. PATENT DOCUMENTS

D385,780 S *	11/1997	Krupa et al.	D9/757
D466,802 S *	12/2002	Davkovski	D9/757
D484,796 S *	1/2004	Buckley	D9/757
D491,463 S *	6/2004	Zelina et al.	D9/757
D506,932 S *	7/2005	Ramirez	D9/737
D514,954 S *	2/2006	Kim	D9/757
D520,377 S *	5/2006	Beese et al.	D9/762
D606,421 S *	12/2009	Krummenacher	D9/757

FIG. 9 is a right side view of the egg clamshell container in a closed position;

FIG. 10 is a left side view of the egg clamshell container in a closed position;

FIG. 11 is a front view of the egg clamshell container in a closed position;

FIG. 12 is a rear view of the egg clamshell container in a closed position;

FIG. 13 is a top view of the egg clamshell container in a closed position; and,

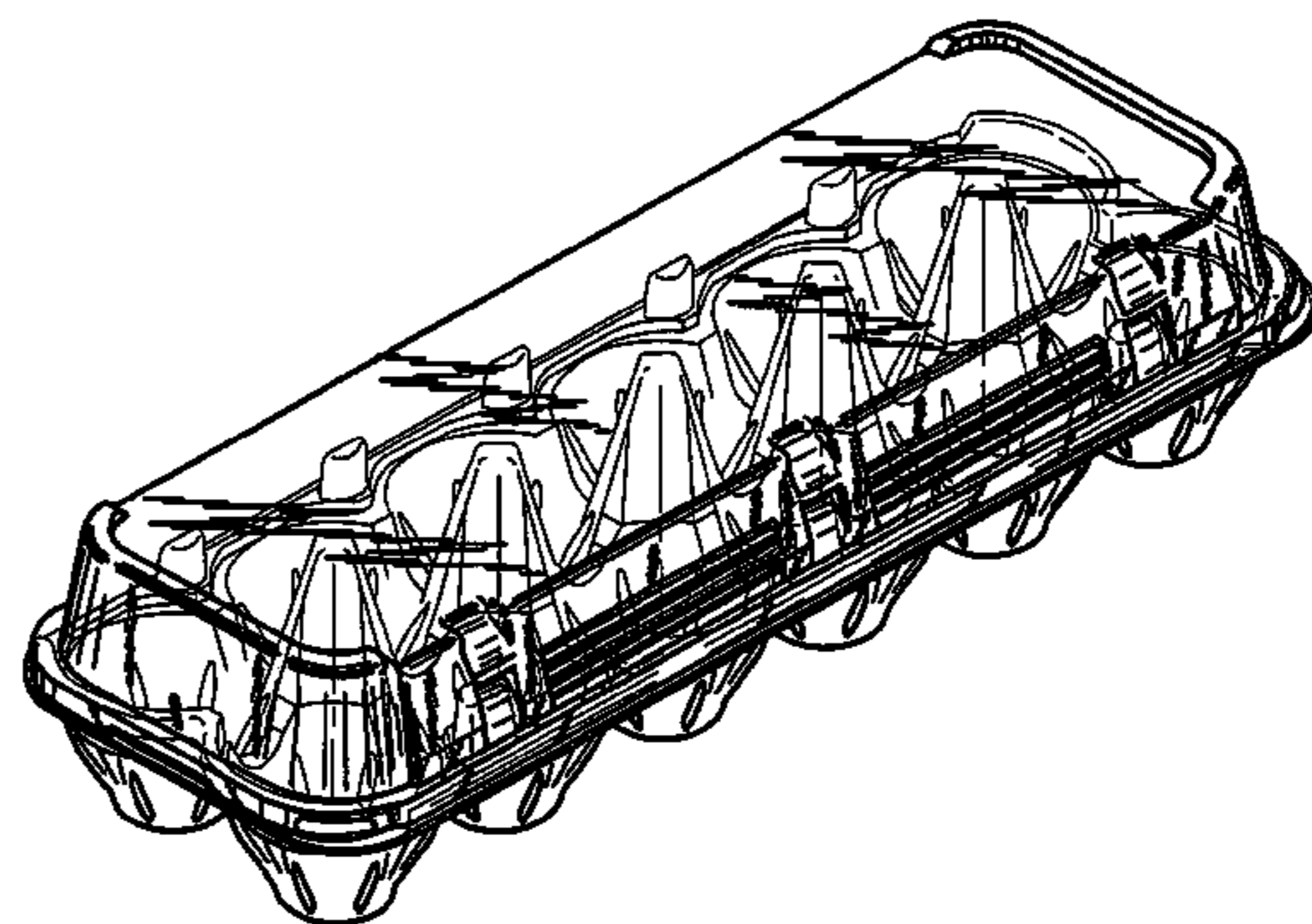
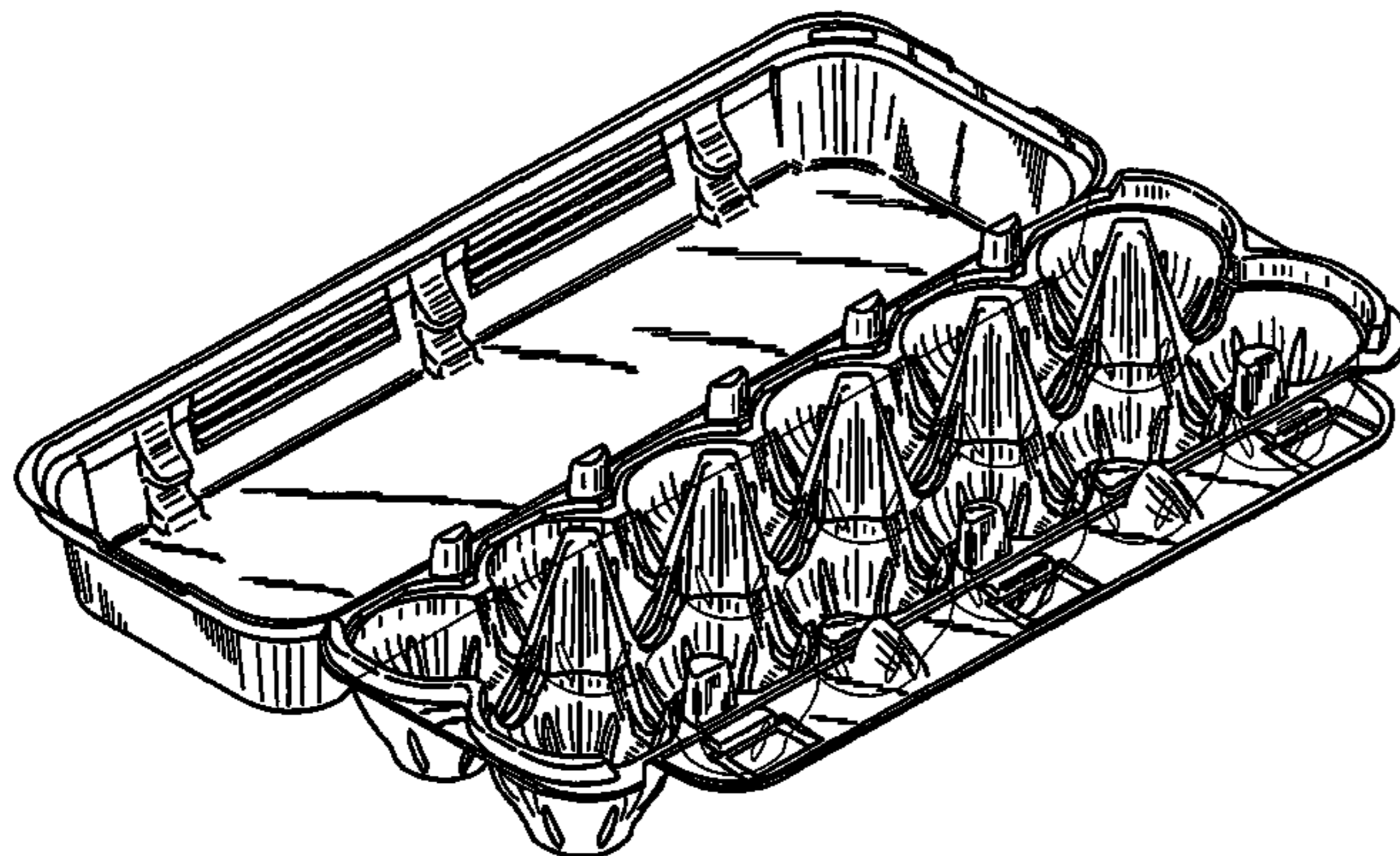
FIG. 14 is a bottom view of the egg clamshell container in a closed position.

* cited by examiner

Primary Examiner—Mark A Goodwin

(74) *Attorney, Agent, or Firm*—Kinney & Lange, P.A.

1 Claim, 9 Drawing Sheets



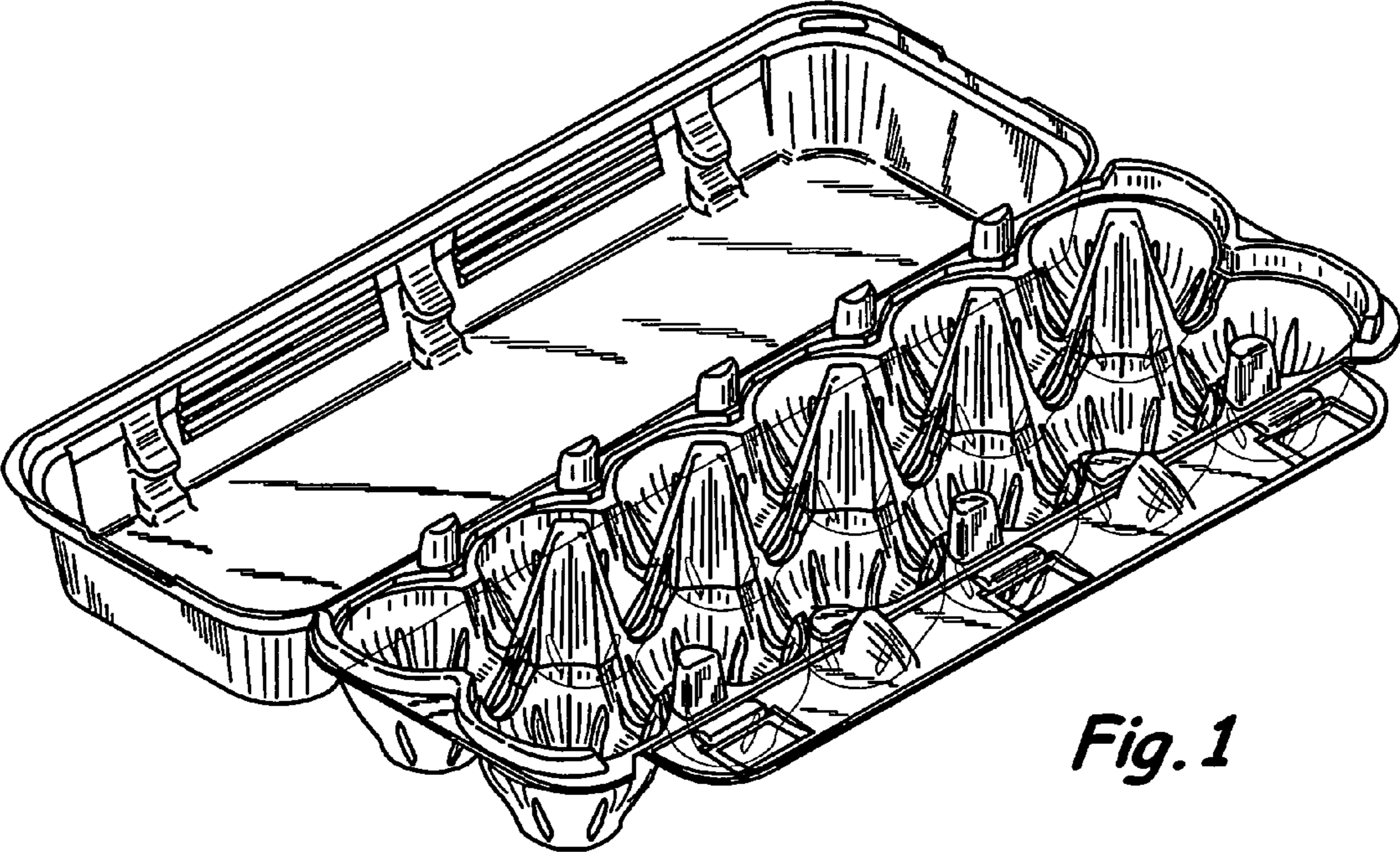


Fig. 1

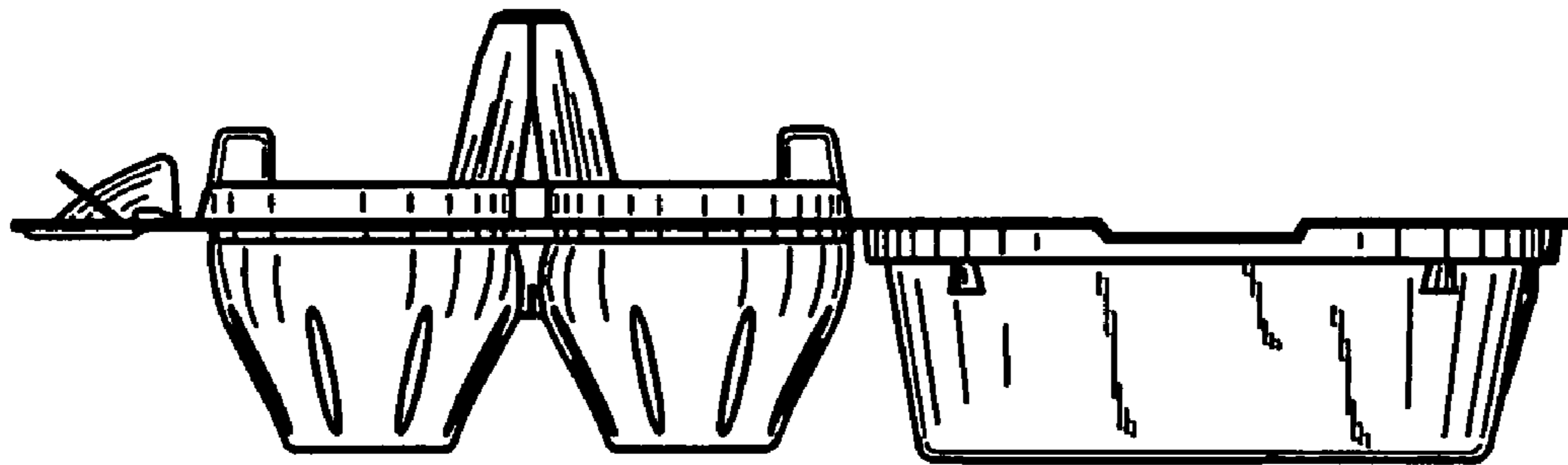


Fig. 2

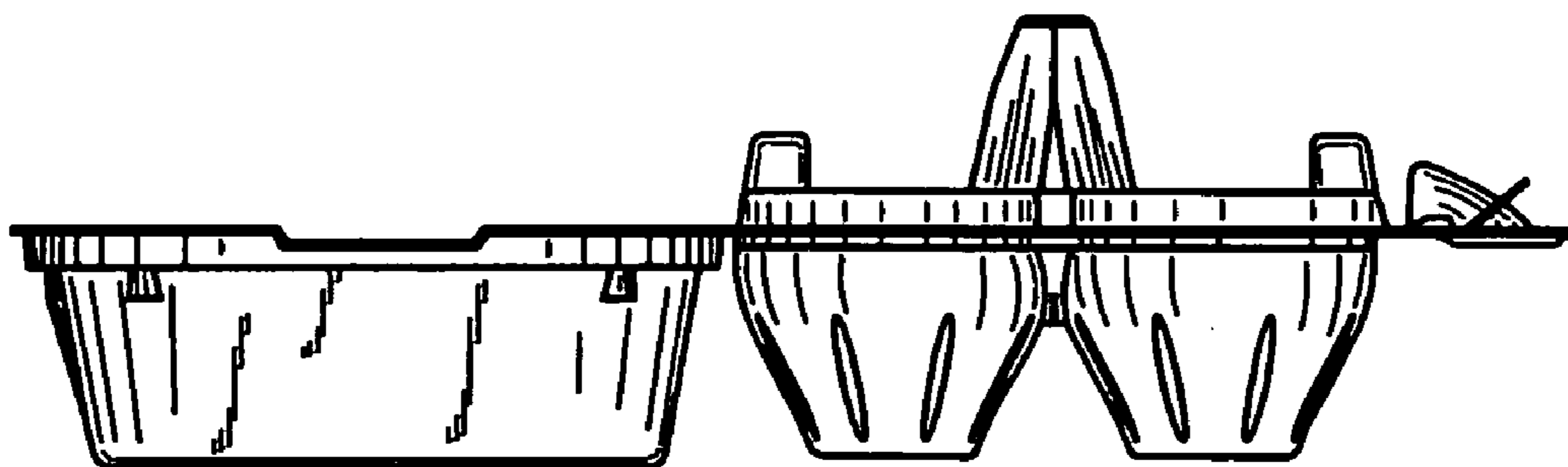


Fig. 3

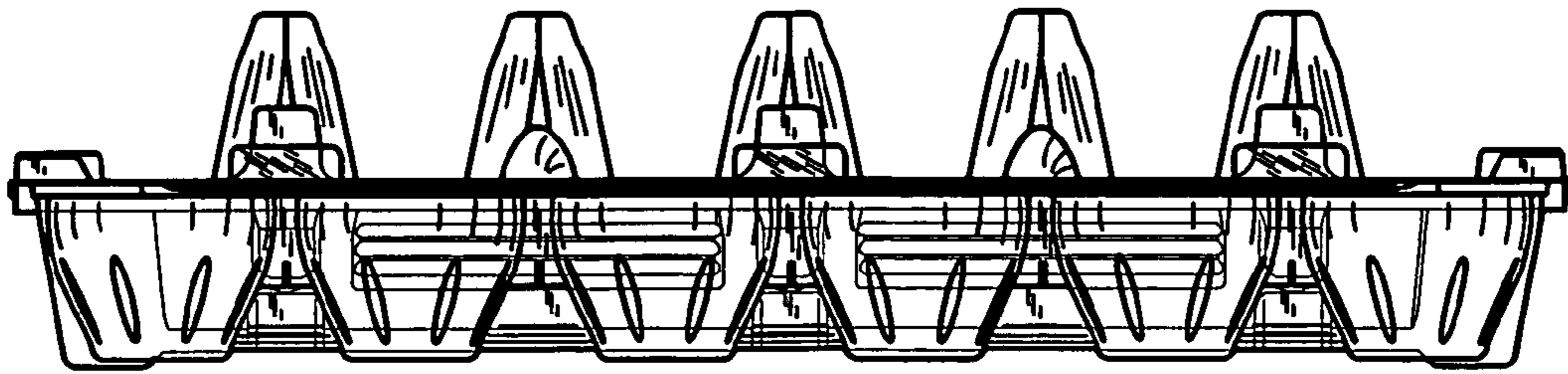


Fig. 4

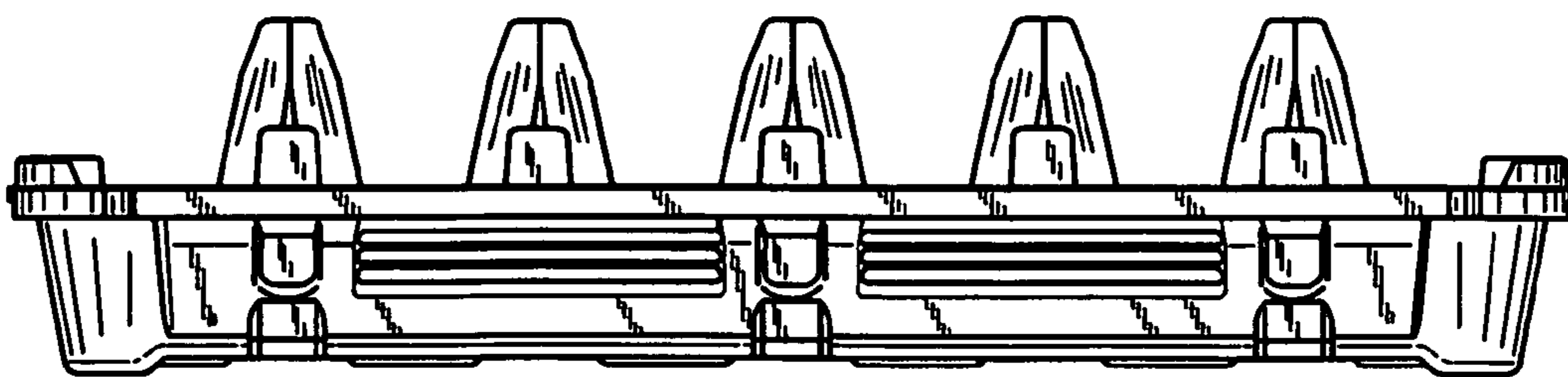


Fig. 5

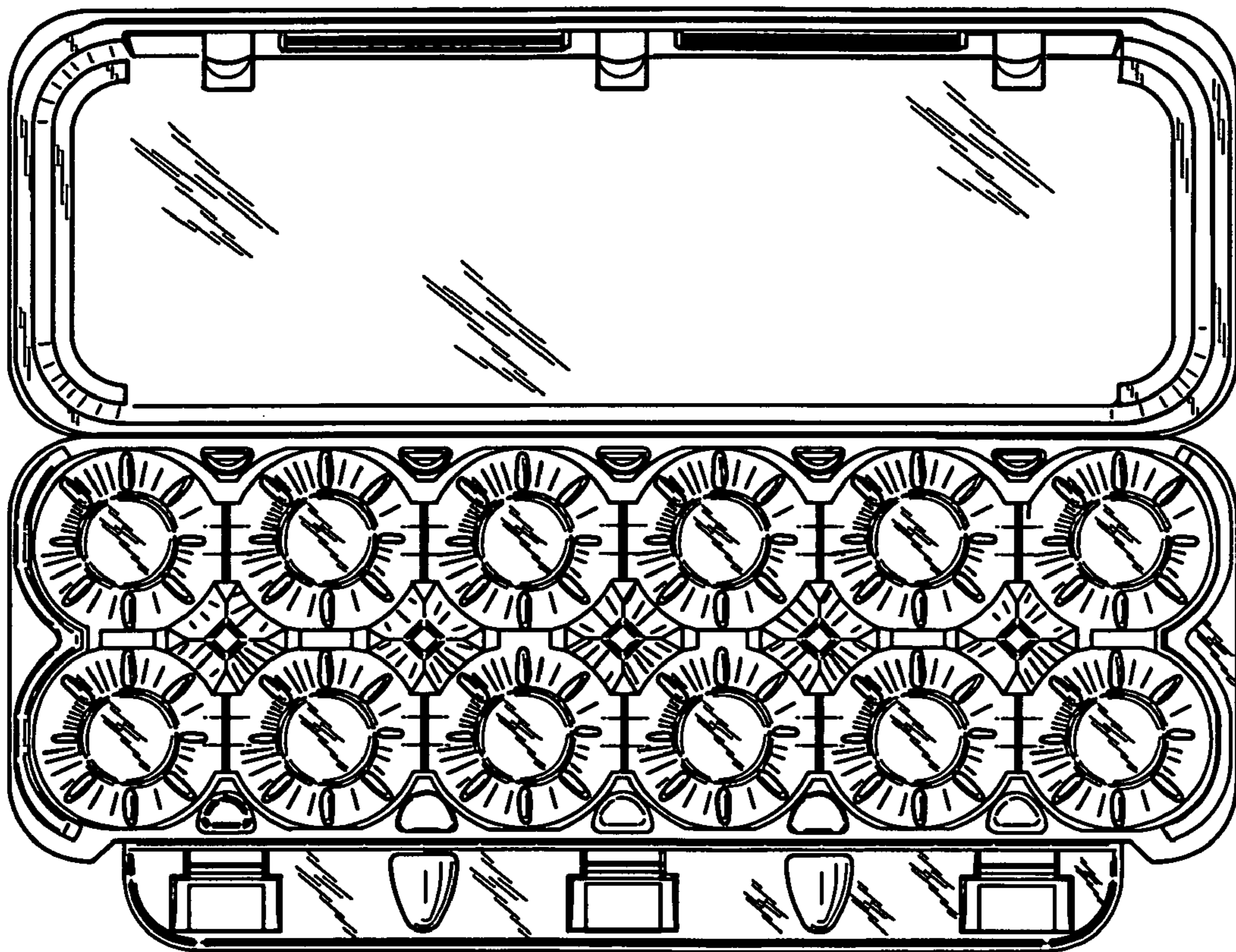


Fig. 6

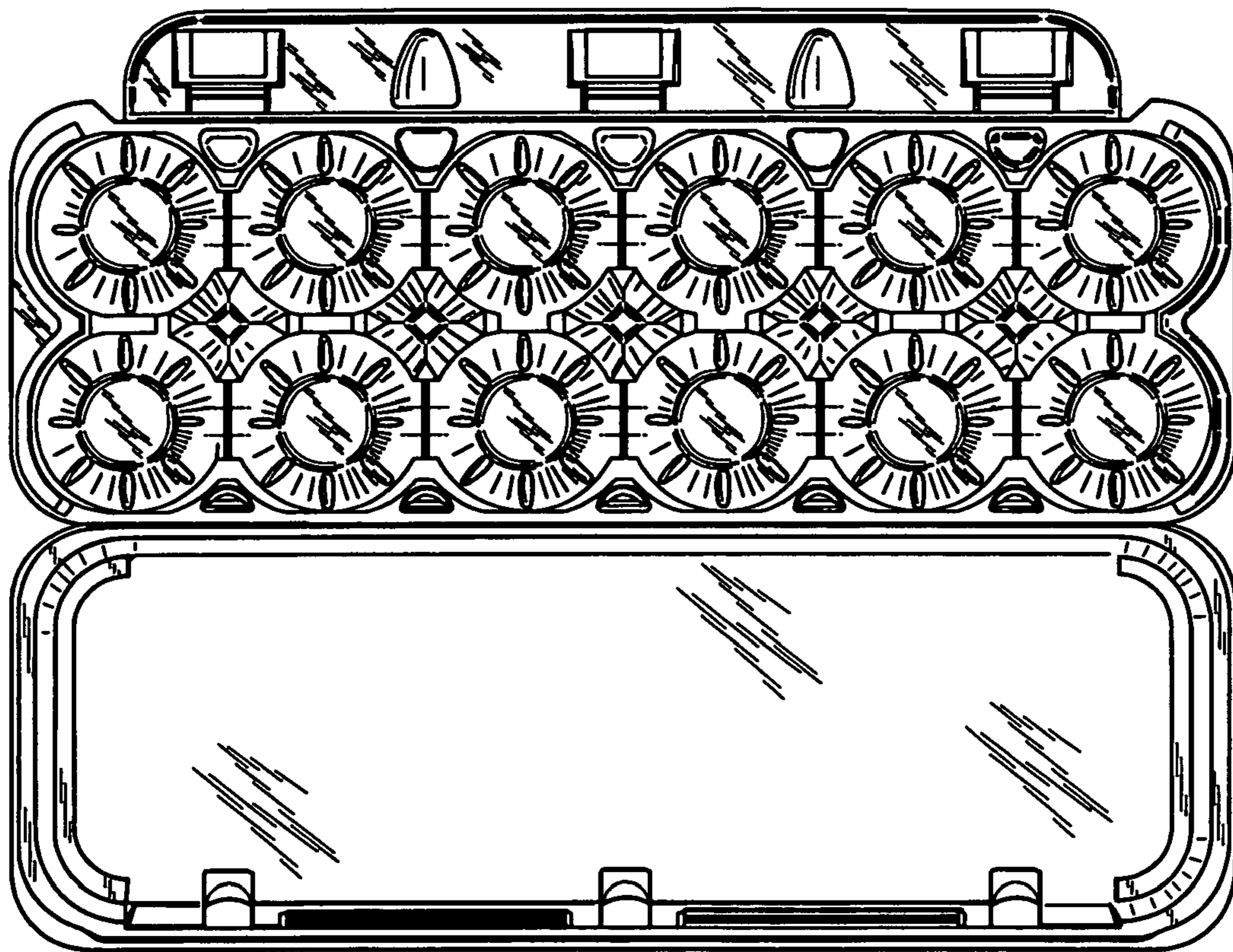


Fig. 7

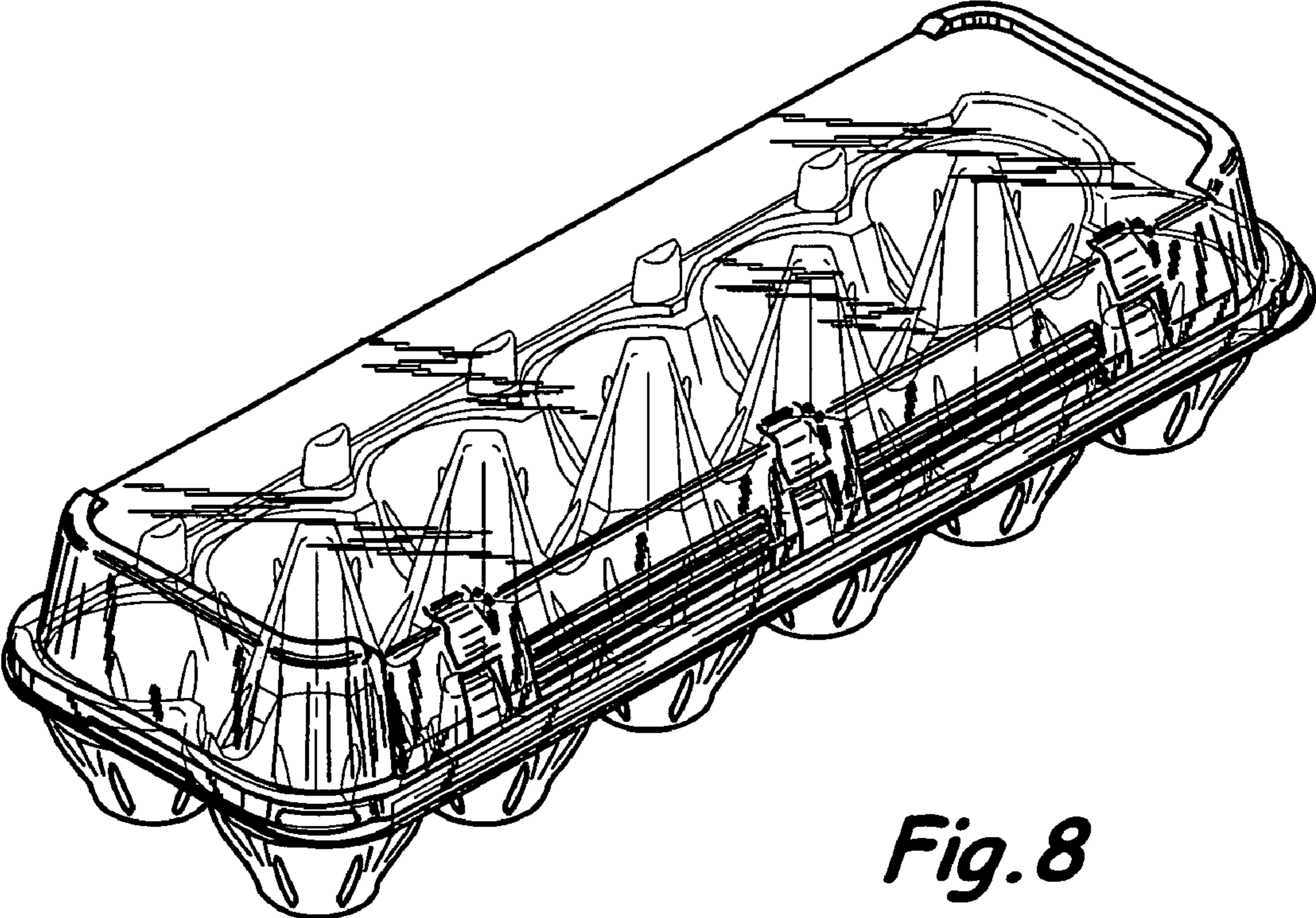


Fig. 8

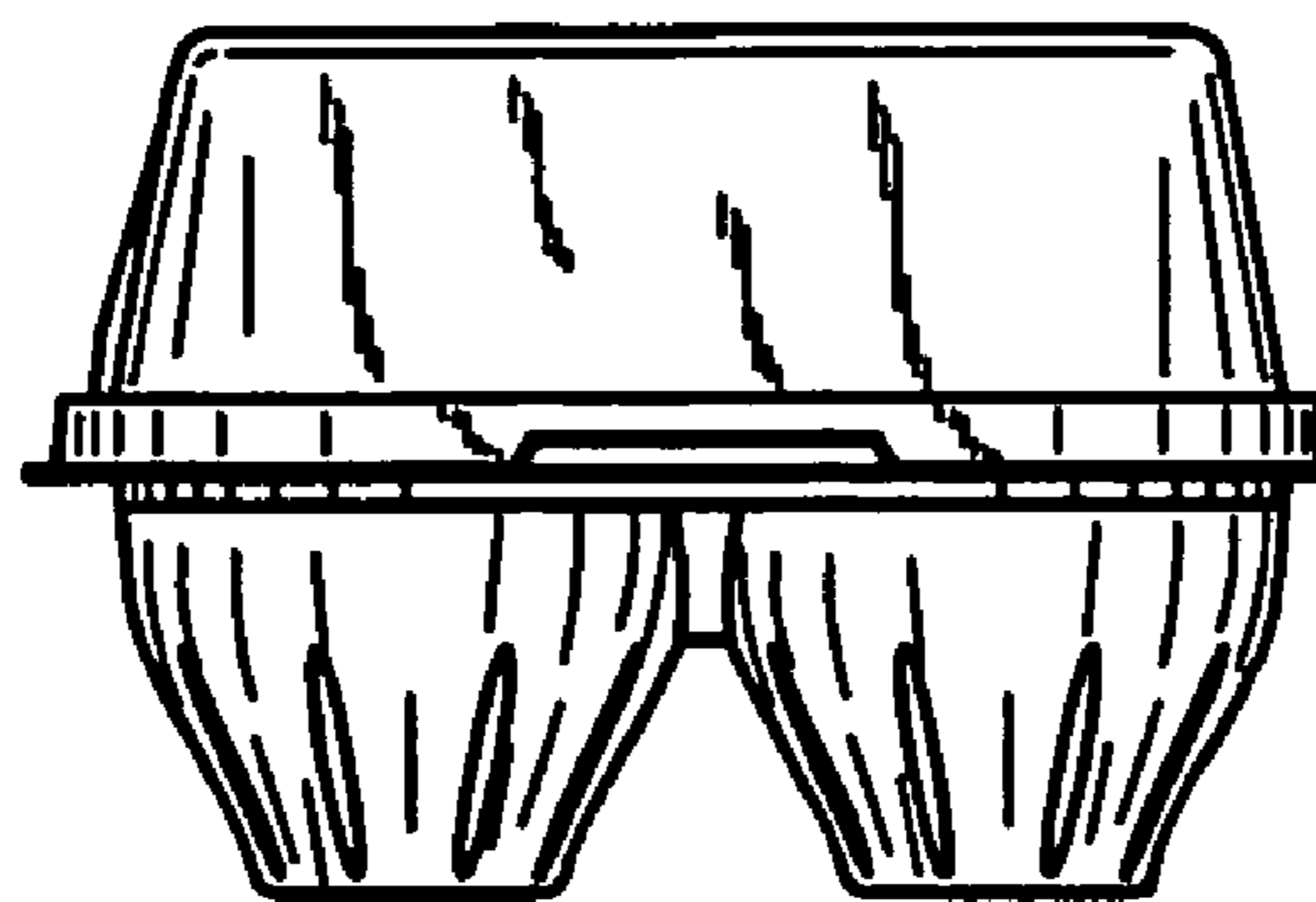


Fig. 9

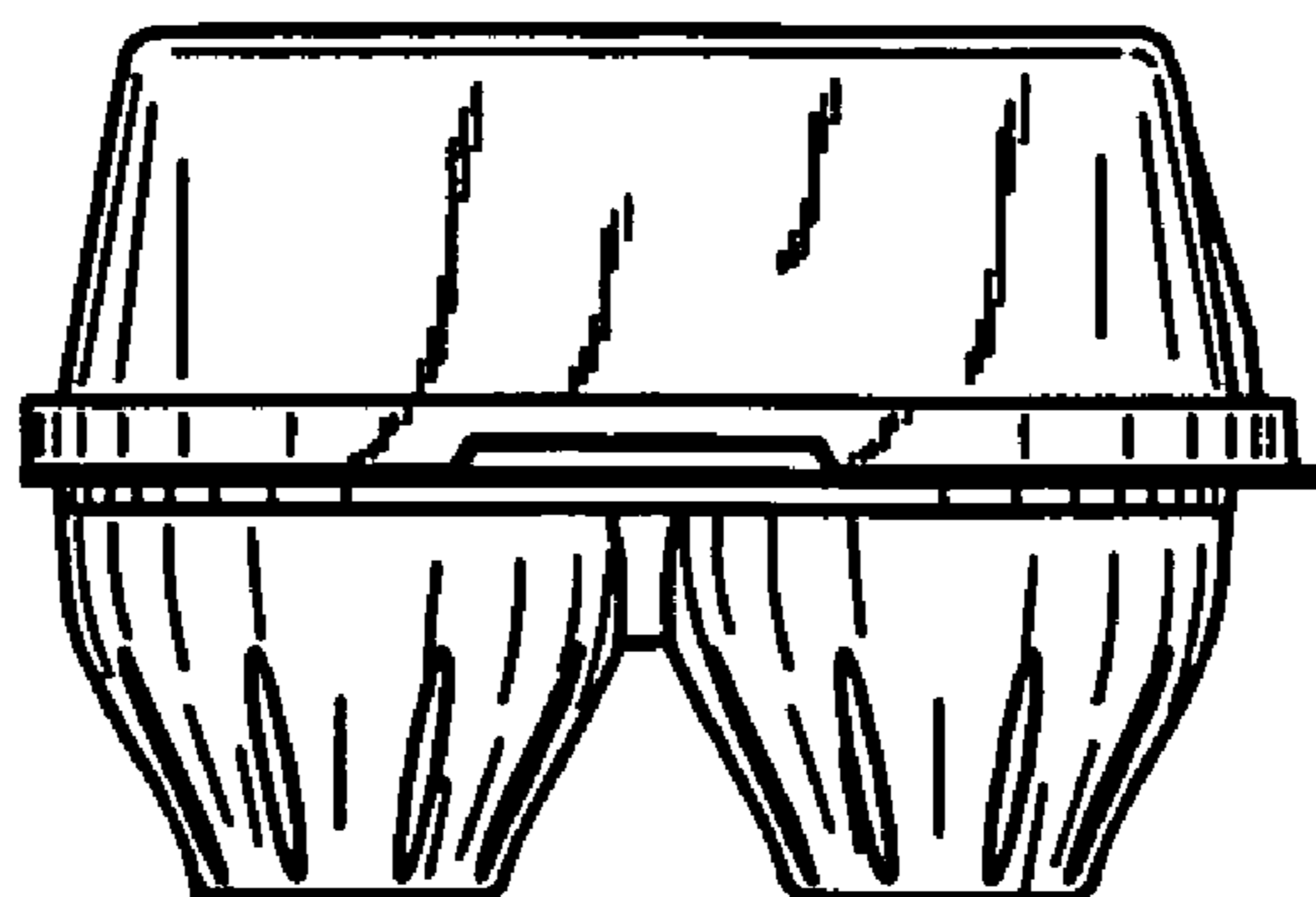


Fig. 10

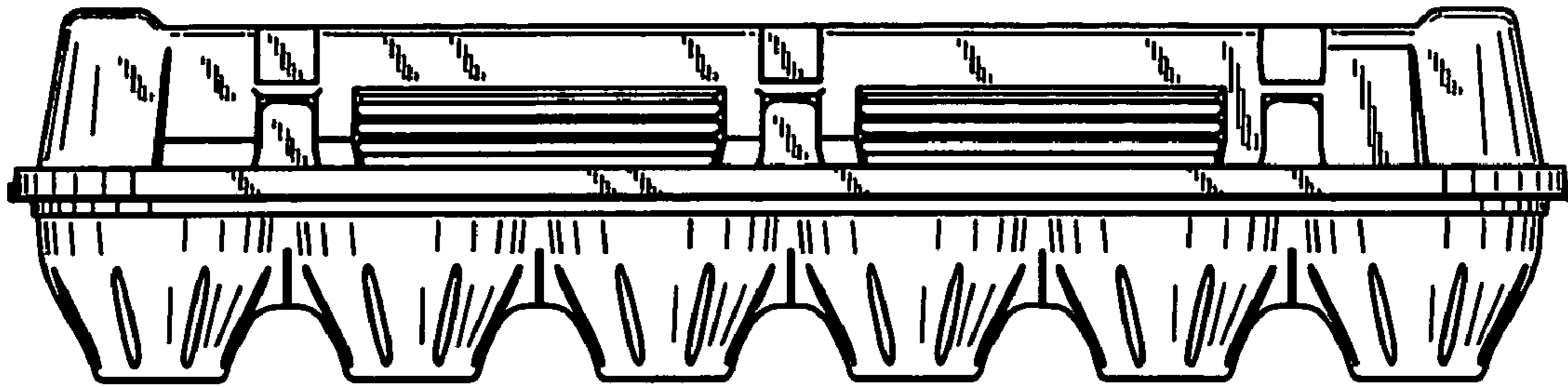


Fig. 11

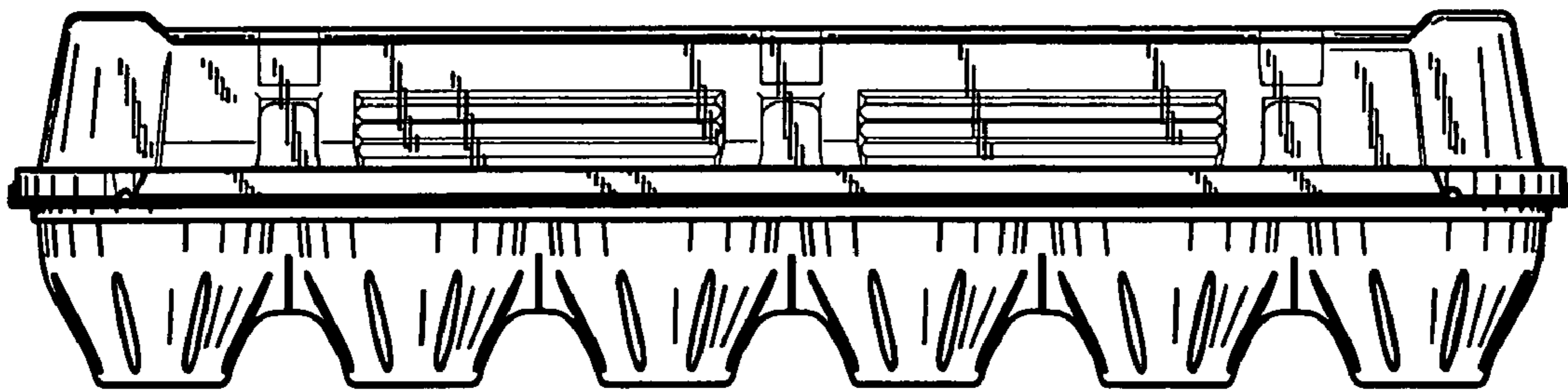


Fig. 12

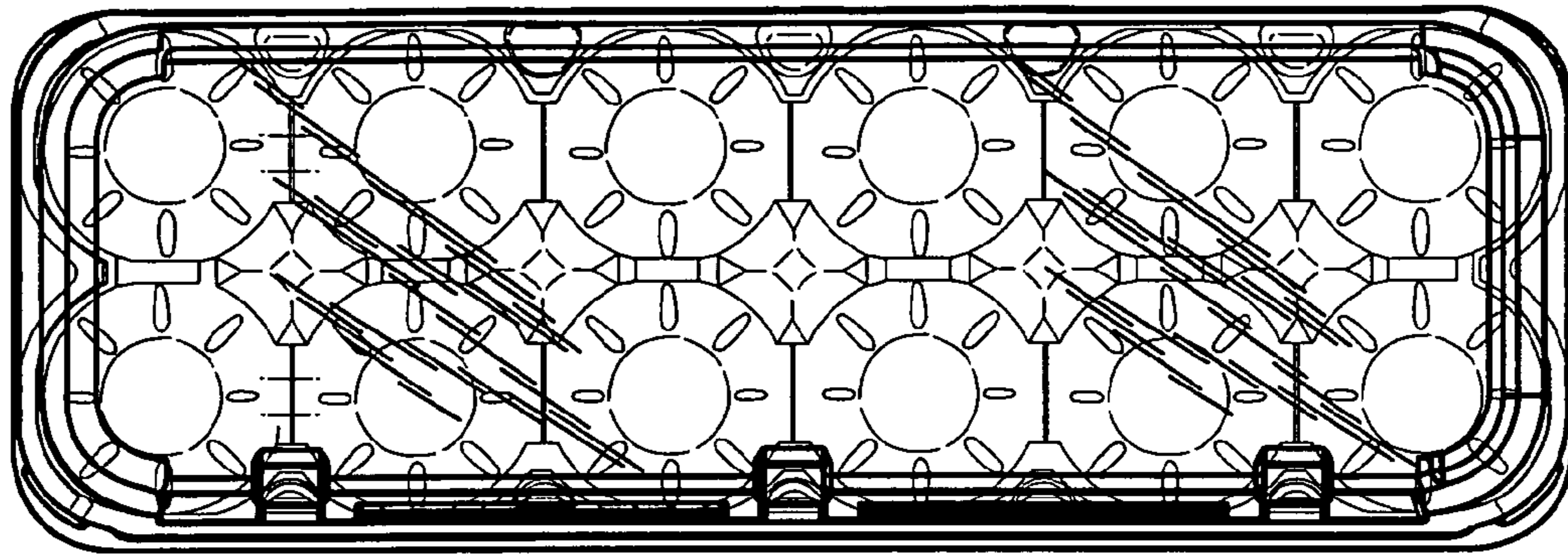


Fig. 13

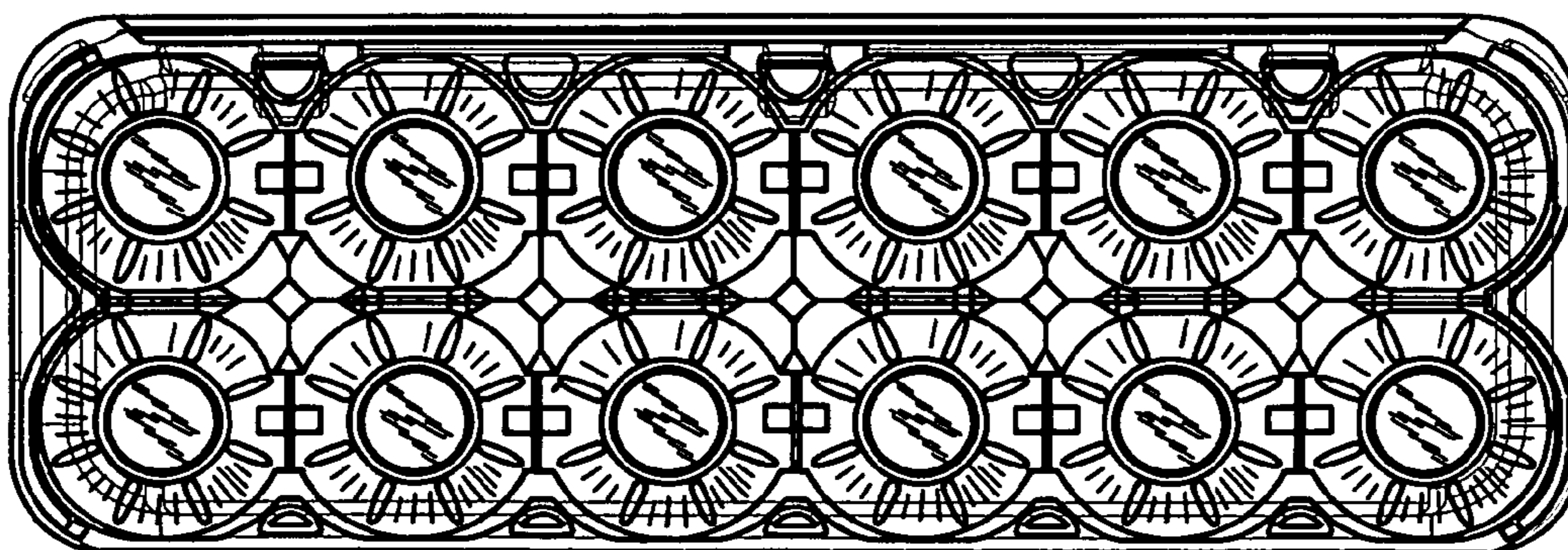


Fig. 14