



US00D626010S

(12) **United States Design Patent**  
**Criss et al.**

(10) **Patent No.:** **US D626,010 S**  
(45) **Date of Patent:** **\*\* Oct. 26, 2010**

(54) **PACKAGING CONTAINER WITH SURFACE ORNAMENTATION**

(75) Inventors: **Susan Elaine Criss**, Maineville, OH (US); **Jason Alan Born**, Loveland, OH (US); **Deborah M. Doan**, Mason, OH (US)

(73) Assignee: **The Procter & Gamble Company**, Cincinnati, OH (US)

(\*\*) Term: **14 Years**

(21) Appl. No.: **29/357,187**

(22) Filed: **Mar. 9, 2010**

**Related U.S. Application Data**

(62) Division of application No. 29/301,798, filed on Mar. 17, 2008, now Pat. No. Des. 615,418.

(51) **LOC (9) Cl.** ..... **09-05**

(52) **U.S. Cl.** ..... **D9/711**

(58) **Field of Classification Search** ..... D9/643, D9/707, 703, 720, 414, 416, 418, 424-426, D9/430, 432, 822; 206/457, 822; 220/890; 229/116.1, 87.05, 87.01, 87.19, 87.15, 92, 229/92.1, 92.7; 215/400; 383/109

See application file for complete search history.

(56) **References Cited**

**U.S. PATENT DOCUMENTS**

D4,875 S \* 5/1871 Diets ..... D9/713  
D53,723 S \* 8/1919 Wilkins ..... D9/713  
D83,245 S \* 2/1931 Boyer ..... D9/713

D84,965 S \* 8/1931 Walters ..... D9/713  
D103,446 S \* 3/1937 Amend ..... D9/705  
D161,965 S \* 2/1951 Rones ..... D9/705  
D203,627 S \* 2/1966 Tamarin ..... D9/713  
D356,731 S \* 3/1995 Nakaizumi ..... D9/713  
D558,588 S \* 1/2008 Lee ..... D9/707  
D600,566 S \* 9/2009 Ho et al. .... D9/643

\* cited by examiner

*Primary Examiner*—Caron Veynar

*Assistant Examiner*—Abraham Bahta

(74) *Attorney, Agent, or Firm*—Kelly L. McDow; Cynthia L. Clay

(57) **CLAIM**

The ornamental design for a packaging container with surface ornamentation, as shown and described.

**DESCRIPTION**

The present application file contains at least one drawing executed in color. Copies of this patent or patent application publication with color drawing(s) will be provided by the Office upon request and payment of the necessary fee.

FIG. 1 is a perspective view of the packaging container with surface ornamentation showing our new design;

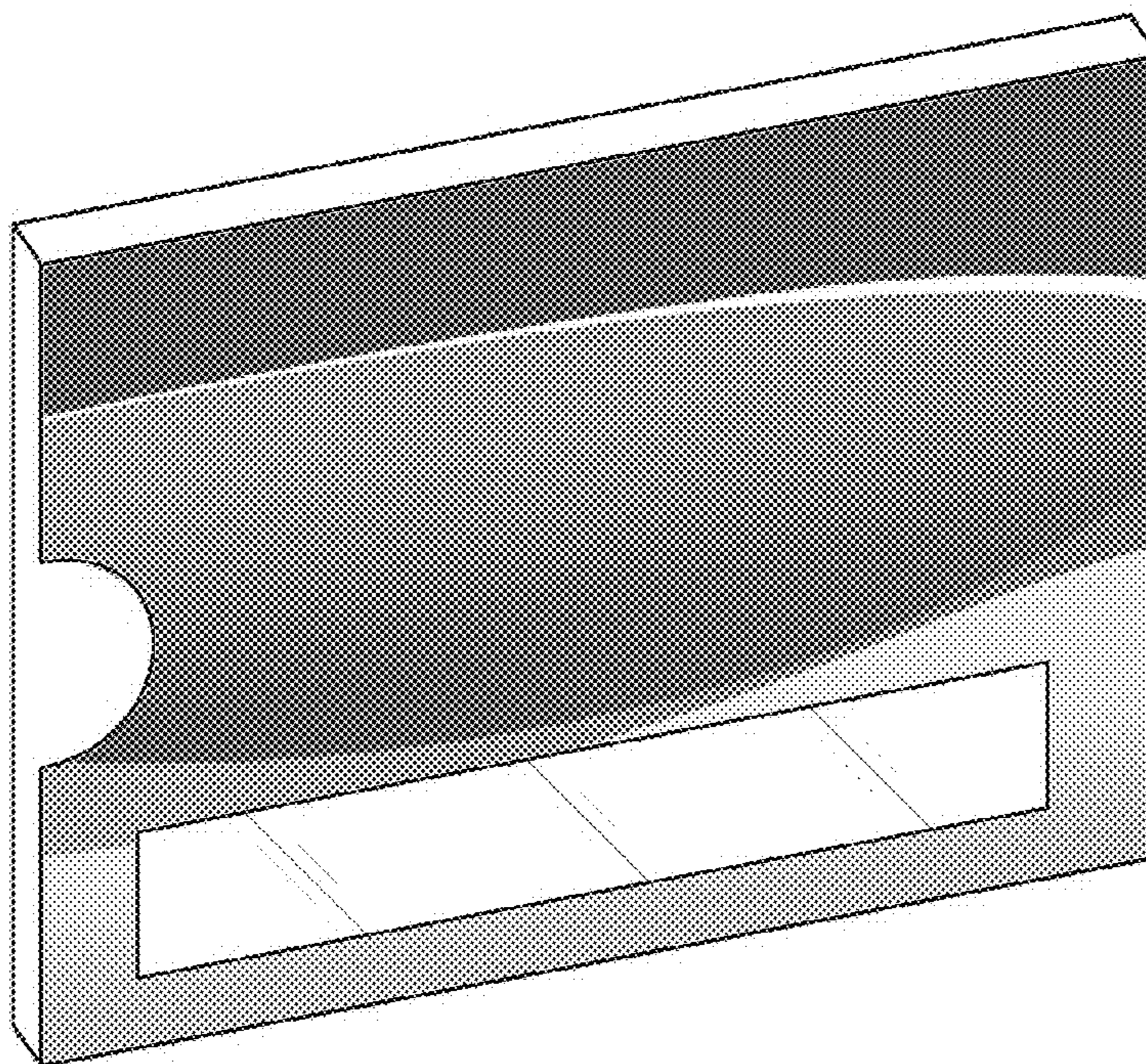
FIG. 2 is a front view thereof;

FIG. 3 is a rear view thereof;

FIG. 4 is a top view thereof, the bottom view thereof being a mirror image thereof; and,

FIG. 5 is a right side view thereof, the left side view thereof being a mirror image thereof.

**1 Claim, 3 Drawing Sheets**  
**(2 of 3 Drawing Sheet(s) Filed in Color)**



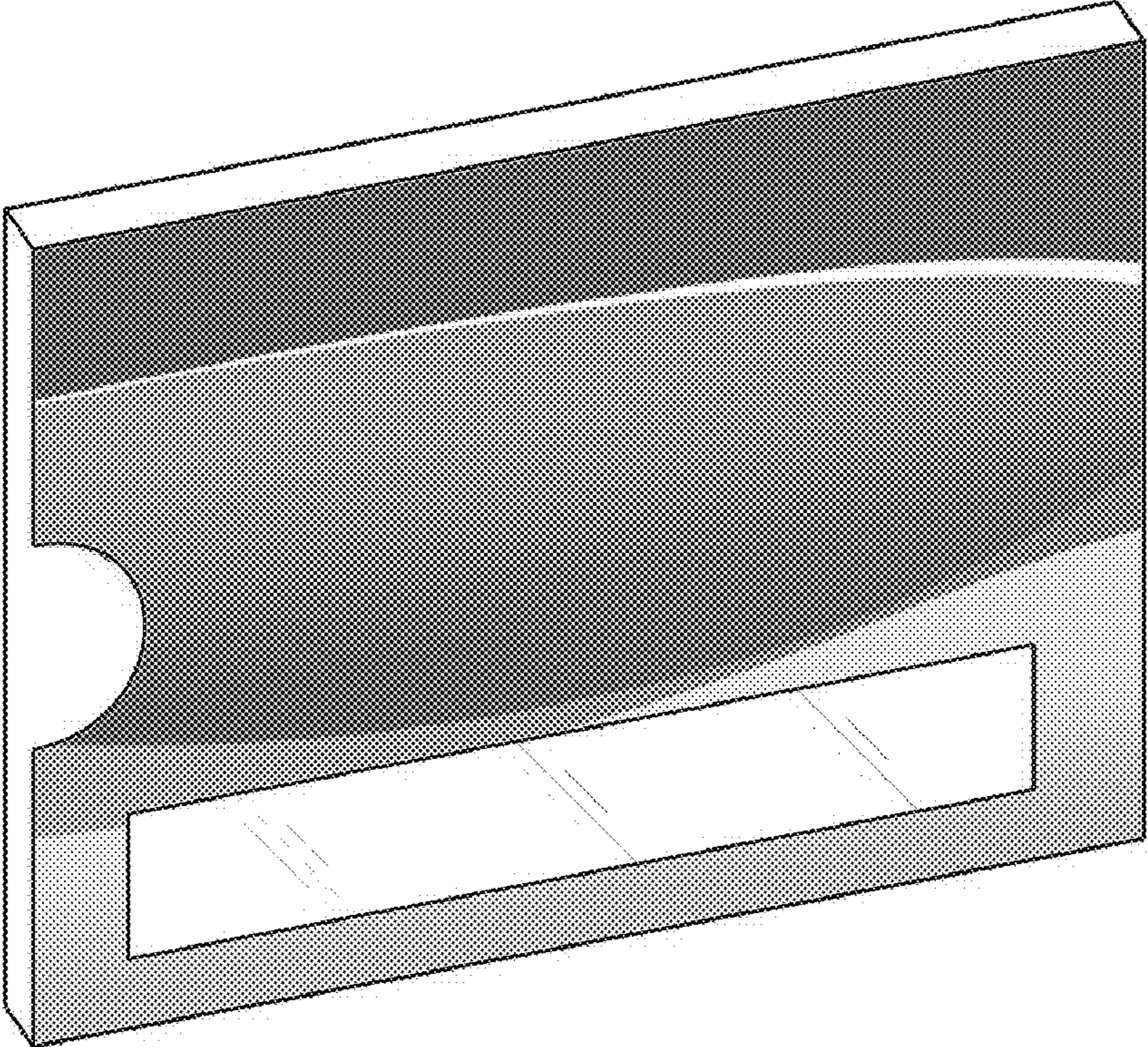


Fig. 1

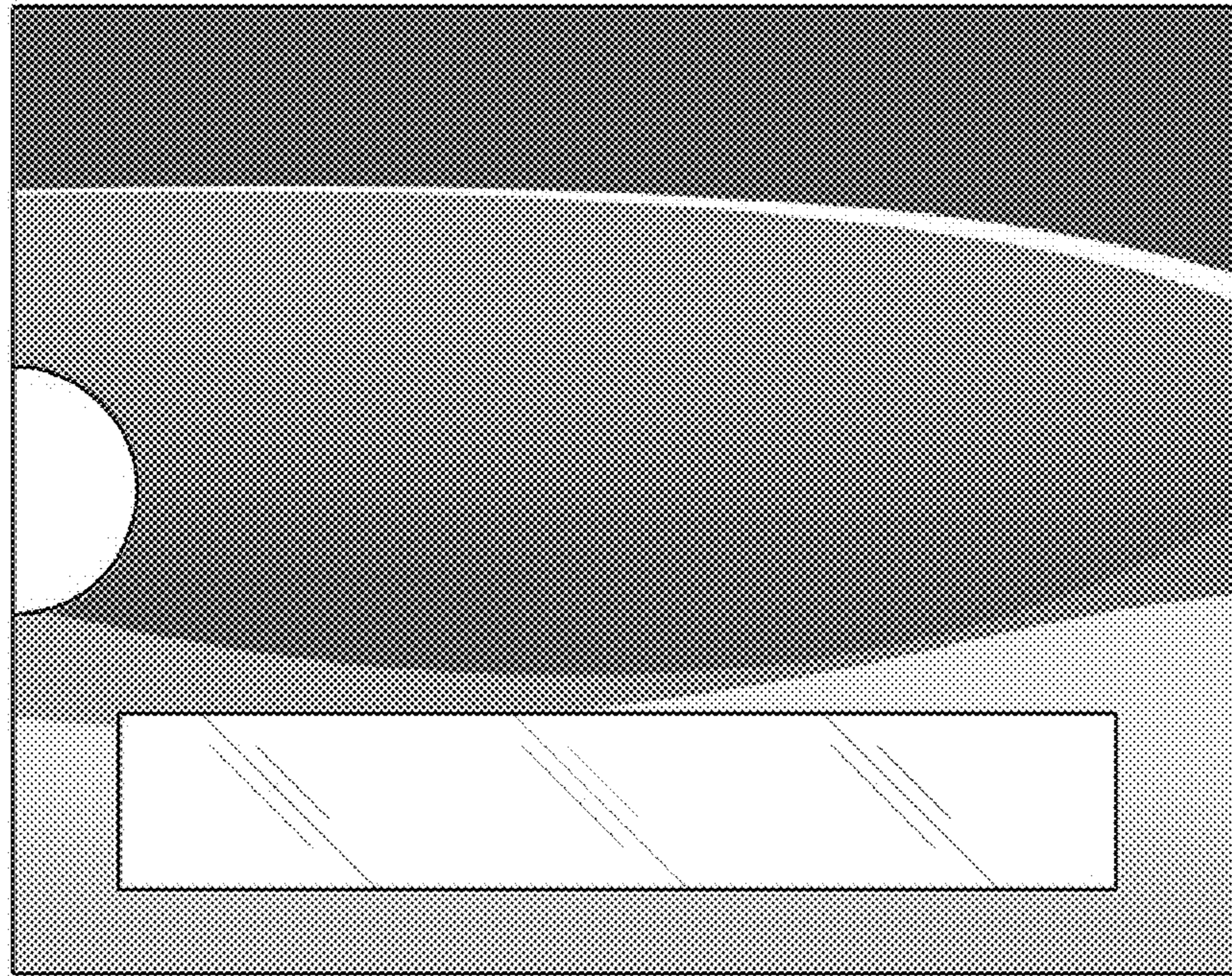


Fig. 2

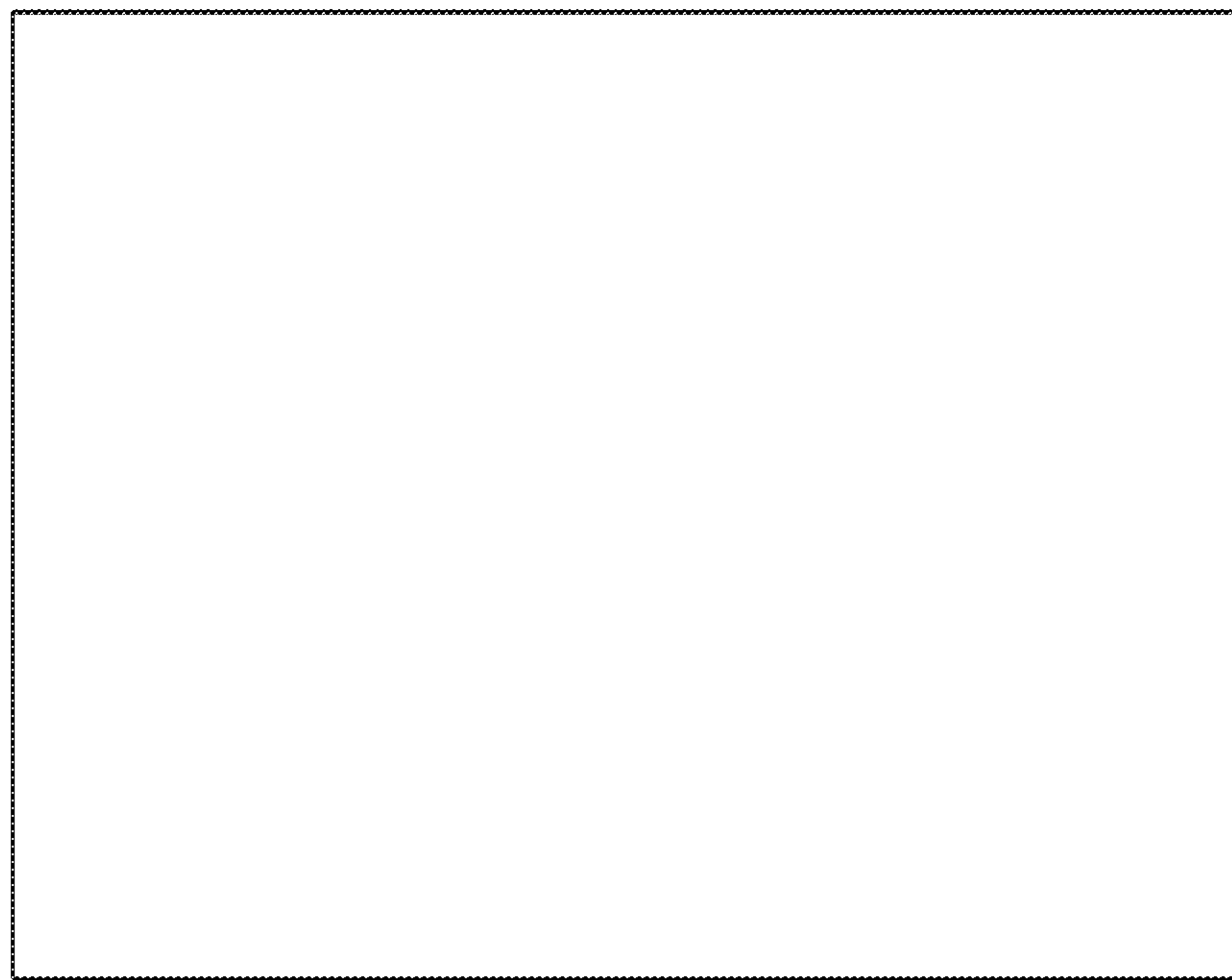


Fig. 3



Fig. 4



Fig. 5