



US00D626007S

(12) **United States Design Patent**
Mouquet

(10) **Patent No.:** **US D626,007 S**
(45) **Date of Patent:** **** Oct. 26, 2010**

(54) **BOTTLE**

2,965,907 A * 12/1960 Ropelato 4/259

(Continued)

(75) Inventor: **Philippe Mouquet**, Paris (FR)

FOREIGN PATENT DOCUMENTS

(73) Assignee: **Comptoir Nouveau de la Parfumerie**,
Paris (FR)

EM 000158902-0002 * 6/2004

(Continued)

(**) Term: **14 Years**

Primary Examiner—Catherine Tuttle

(21) Appl. No.: **29/350,600**

(74) *Attorney, Agent, or Firm*—Foley and Lardner LLP

(22) Filed: **Nov. 19, 2009**

(57) **CLAIM**

(30) **Foreign Application Priority Data**

I claim the ornamental design for a bottle, as shown and described.

May 20, 2009 (WO) DM/071 844

DESCRIPTION

(51) **LOC (9) Cl.** **09-01**

FIG. 1 is a front top perspective view of a bottle showing my new design with the glass container in a first position;

(52) **U.S. Cl.** **D9/694**

FIG. 2 is a right side view of the bottle shown in FIG. 1;

(58) **Field of Classification Search** D9/682–694,
D9/516–575, 434–436, 443, 444, 447–450;
D28/5, 77, 85, 91.1; 215/379, 385, 395;
220/376, 628, 629, 660, 669, 662, 665, 726,
220/821, 915; 222/129, 135, 153.01, 153.03,
222/153.04, 153.09, 153.11–153.14, 182,
222/183, 631, 635, 209–213, 215, 321.7–321.9,
222/372, 373, 378, 379, 383.1, 384–386,
222/398, 400.7, 400.8, 401, 402.1–402.25
See application file for complete search history.

FIG. 3 is a left side view of the bottle shown in FIG. 1;

FIG. 4 is a front side view of the bottle shown in FIG. 1;

FIG. 5 is a left side view of the bottle shown in FIG. 1;

FIG. 6 is a top side view of the bottle shown in FIG. 1;

FIG. 7 is a bottom side view of the bottle shown in FIG. 1;

FIG. 8 is a right side view of the bottle shown with the glass container rotated into a second position;

FIG. 9 is a front top perspective view of the bottle shown with the glass container rotated into a third position; and,

FIG. 10 is a front view of the bottle shown with the glass container rotated into a fourth position.

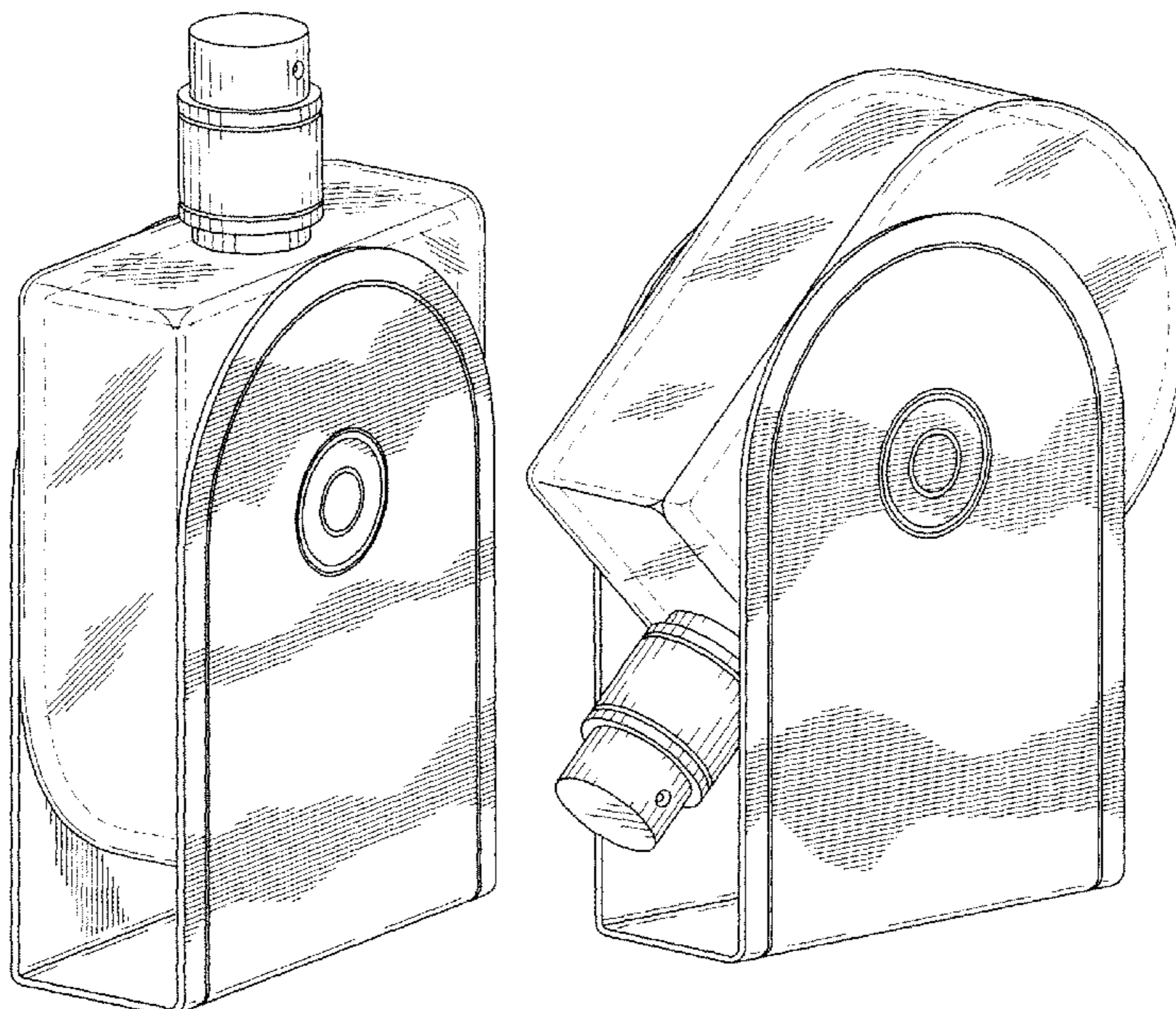
The broken lines are included for the purpose of illustrating visible interior portions of the bottle that form no part of the claimed design.

(56) **References Cited**

U.S. PATENT DOCUMENTS

D70,116 S *	5/1926	Jaroslawski	D9/521
D85,925 S *	1/1932	Fuerst	D9/571
D88,067 S *	10/1932	Bergaud	D9/573
D103,048 S *	2/1937	Higgins	D9/571
D113,862 S *	3/1939	Ansell	D9/544
2,276,047 A *	3/1942	Kurth	401/88
2,814,153 A *	11/1957	Martin	401/88

1 Claim, 7 Drawing Sheets



US D626,007 S

Page 2

U.S. PATENT DOCUMENTS

D283,795 S * 5/1986 Demourgues D9/573
D428,340 S * 7/2000 Herrmann D9/739
D479,689 S * 9/2003 Altonen et al. D9/516
D499,028 S * 11/2004 Faillant-Dumas D9/544
D541,664 S * 5/2007 Galdini D9/574
D573,035 S * 7/2008 Dean D9/690

D609,110 S * 2/2010 Moretti D9/627
2009/0206107 A1* 8/2009 Raz et al. 222/175

FOREIGN PATENT DOCUMENTS

EM 001076814-0001 * 3/2009
WO D062645-002 * 3/2003

* cited by examiner

Fig. 1

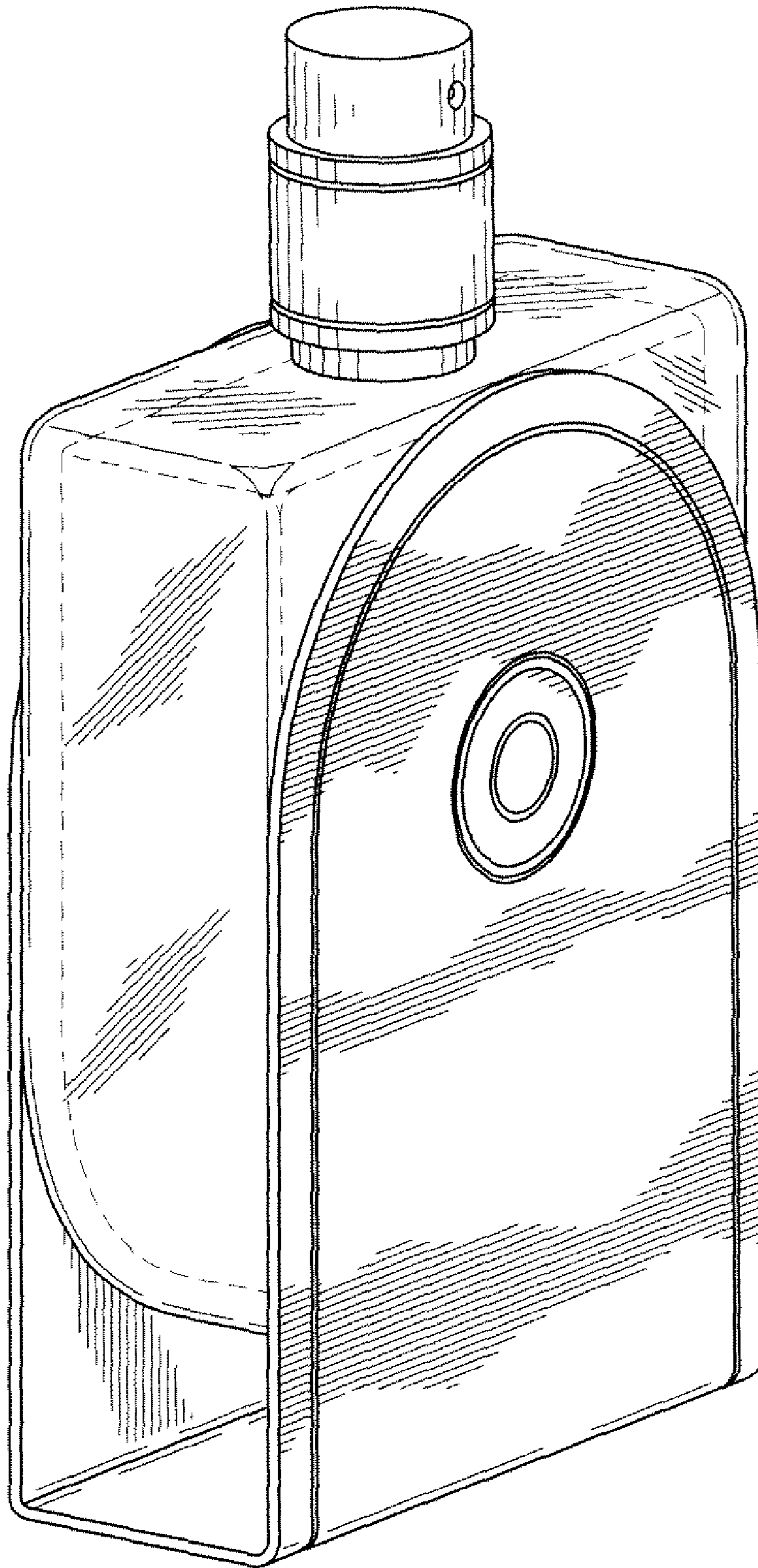


Fig. 2

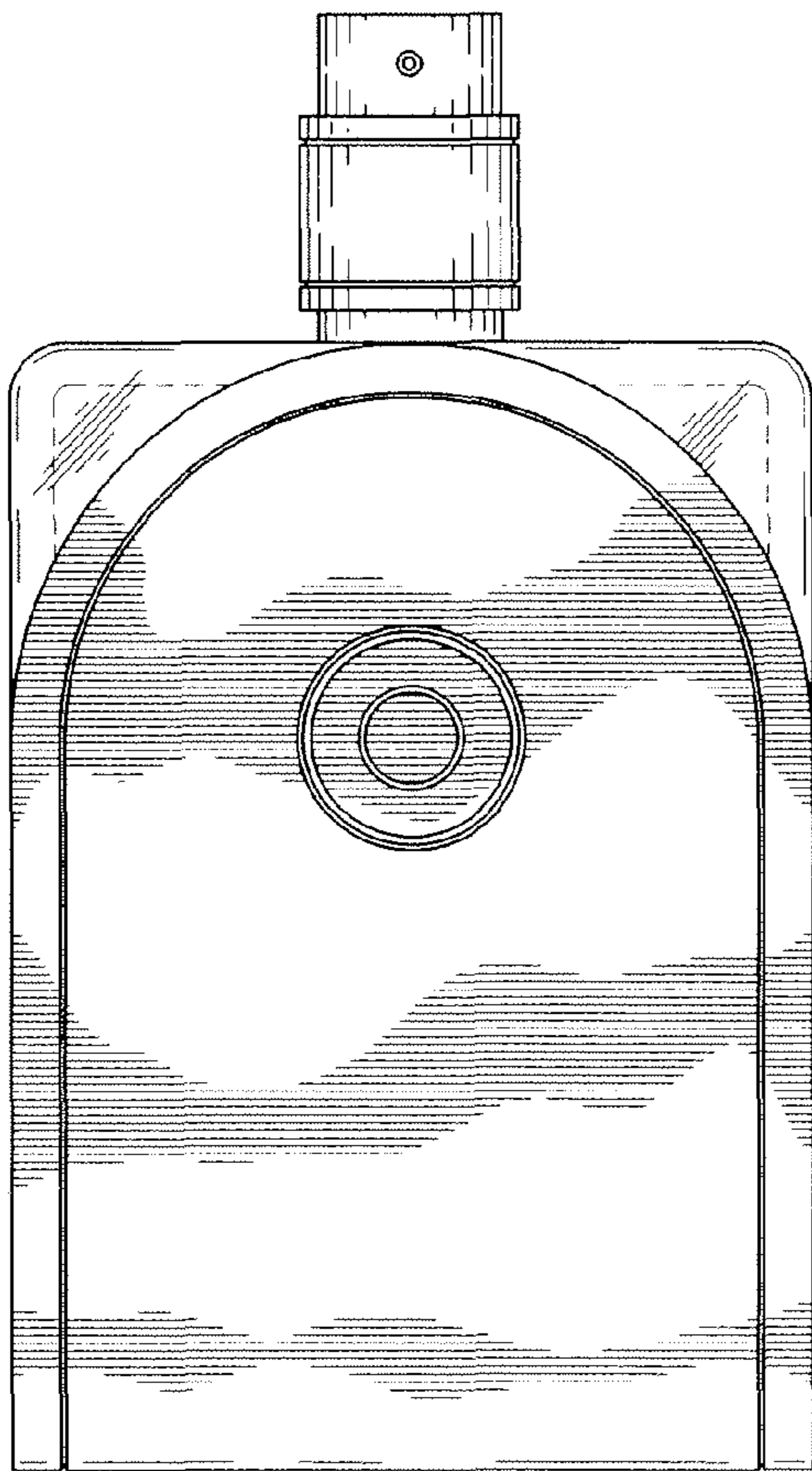


Fig. 3

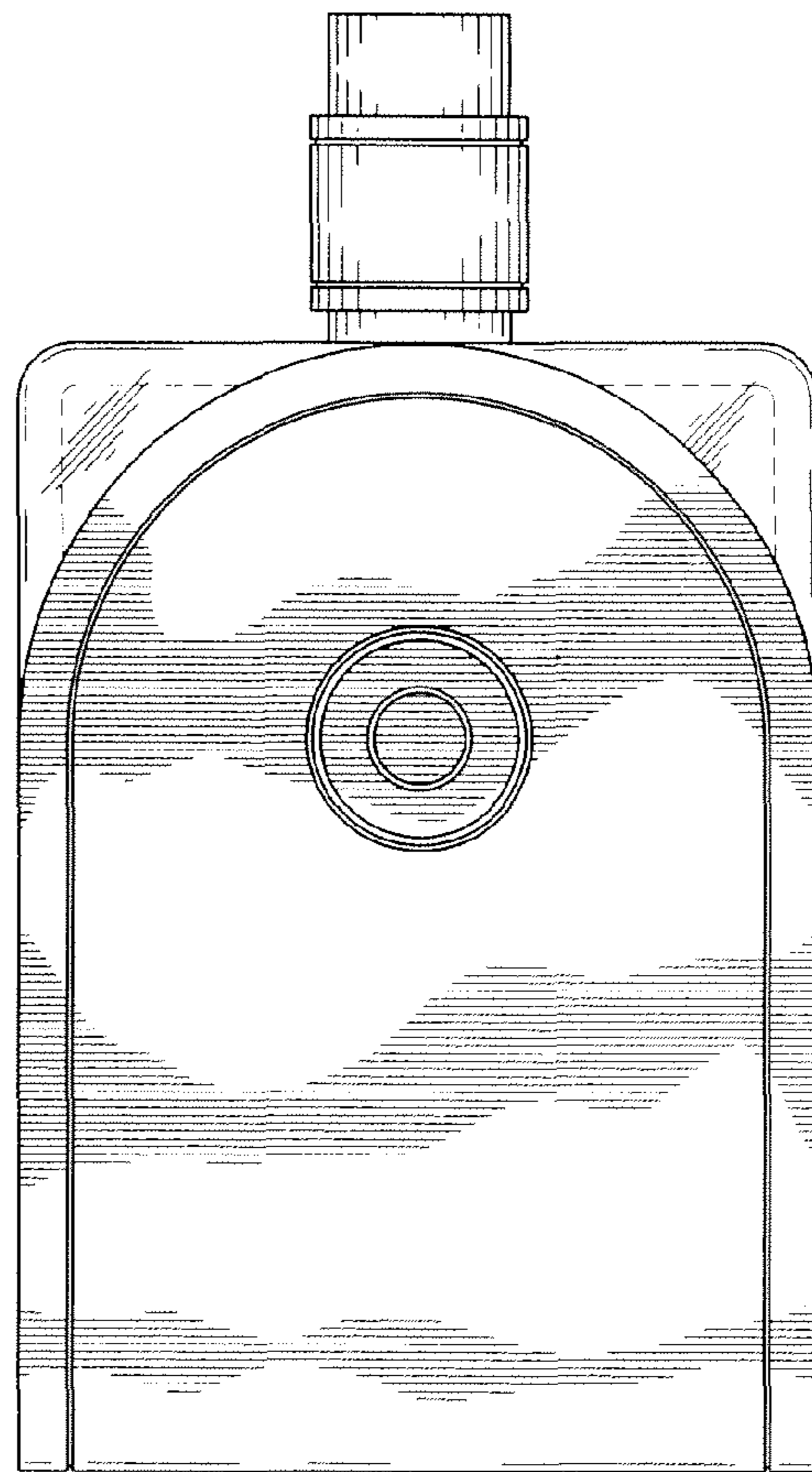


Fig. 4

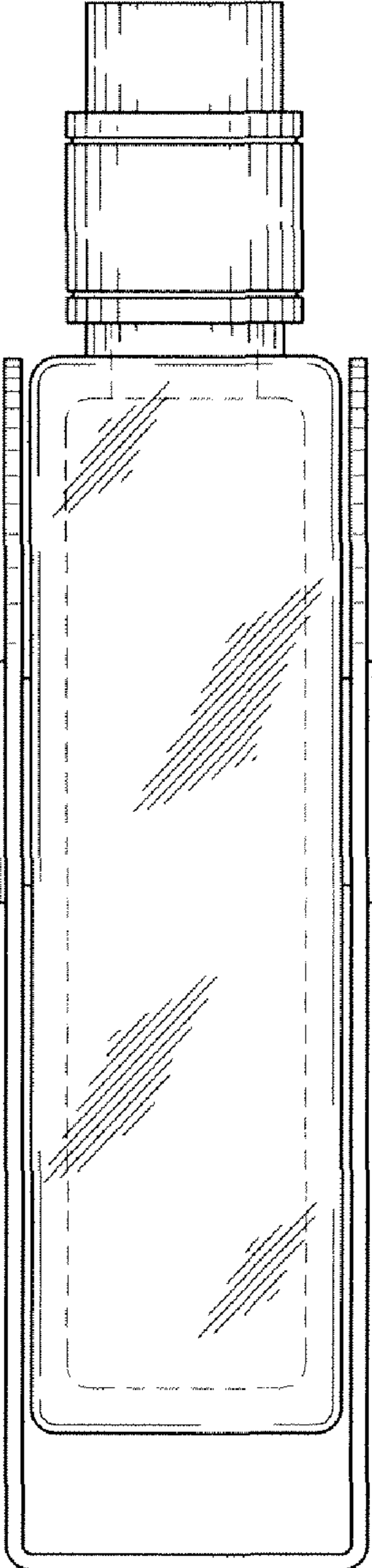


Fig. 5

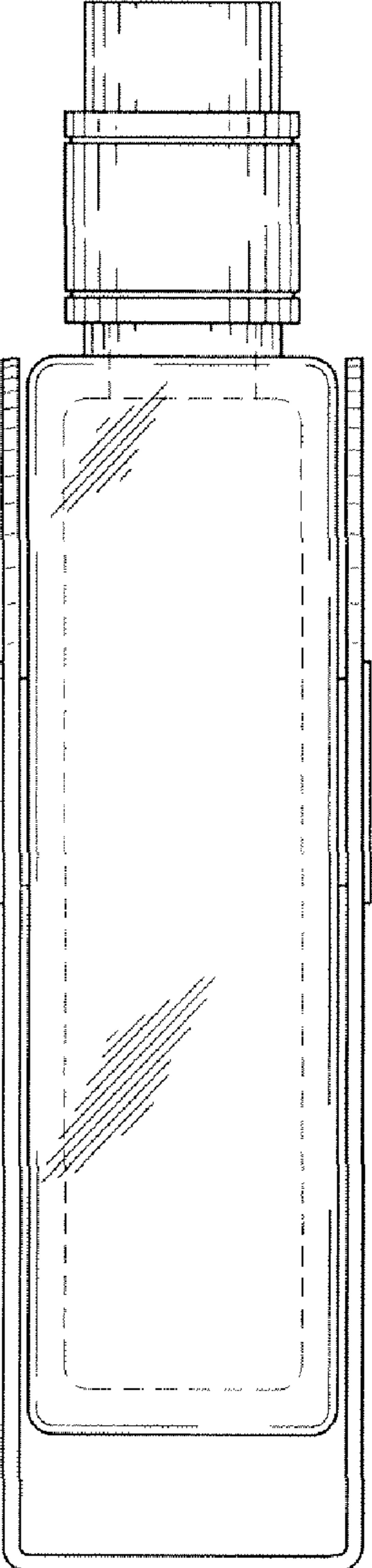


Fig. 6

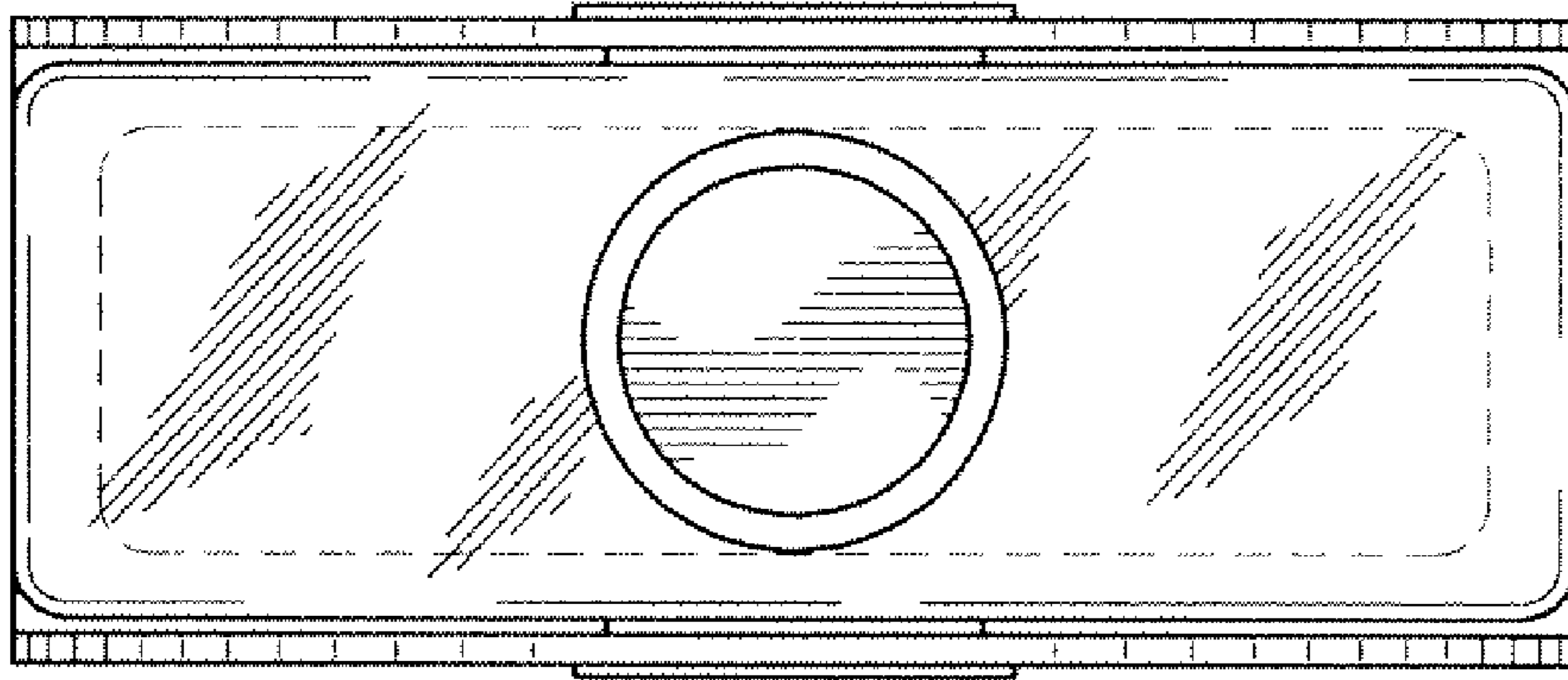


Fig. 7

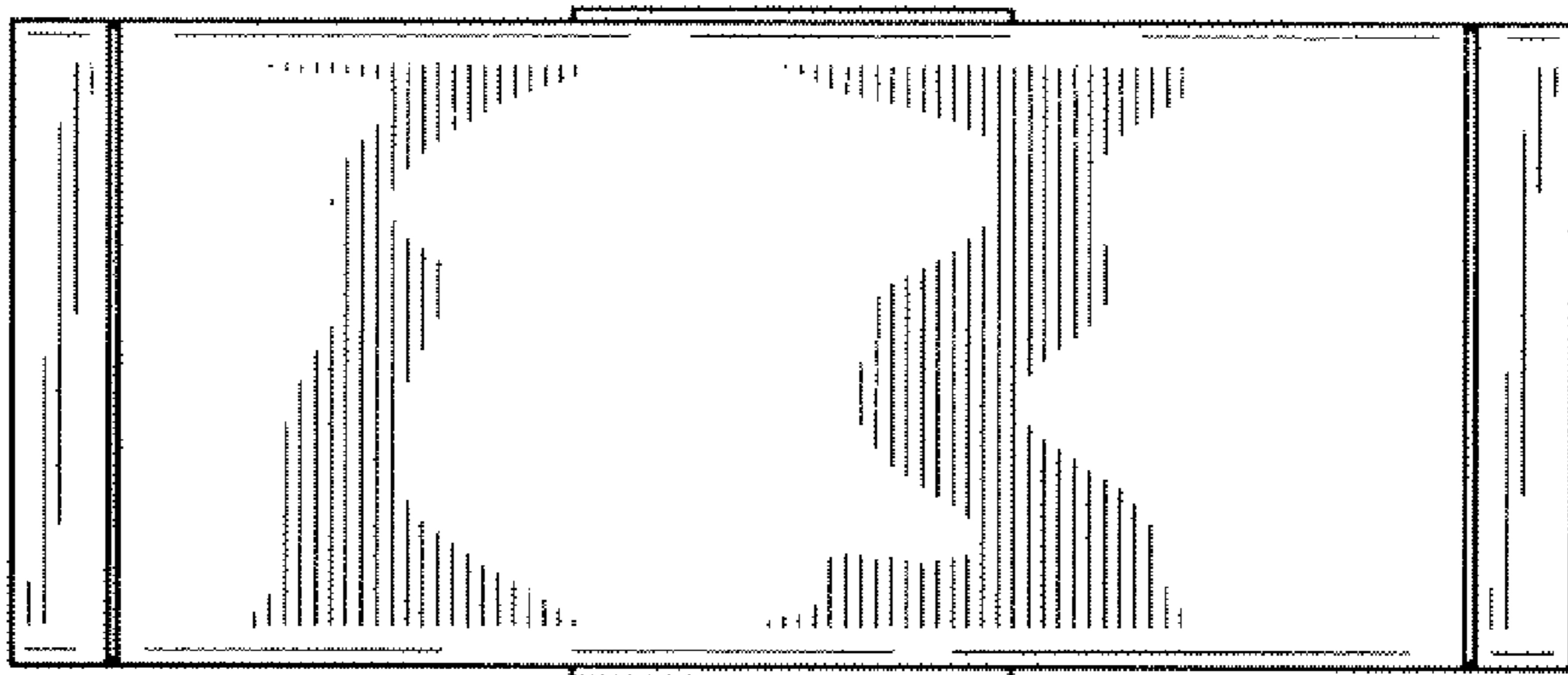


Fig. 8

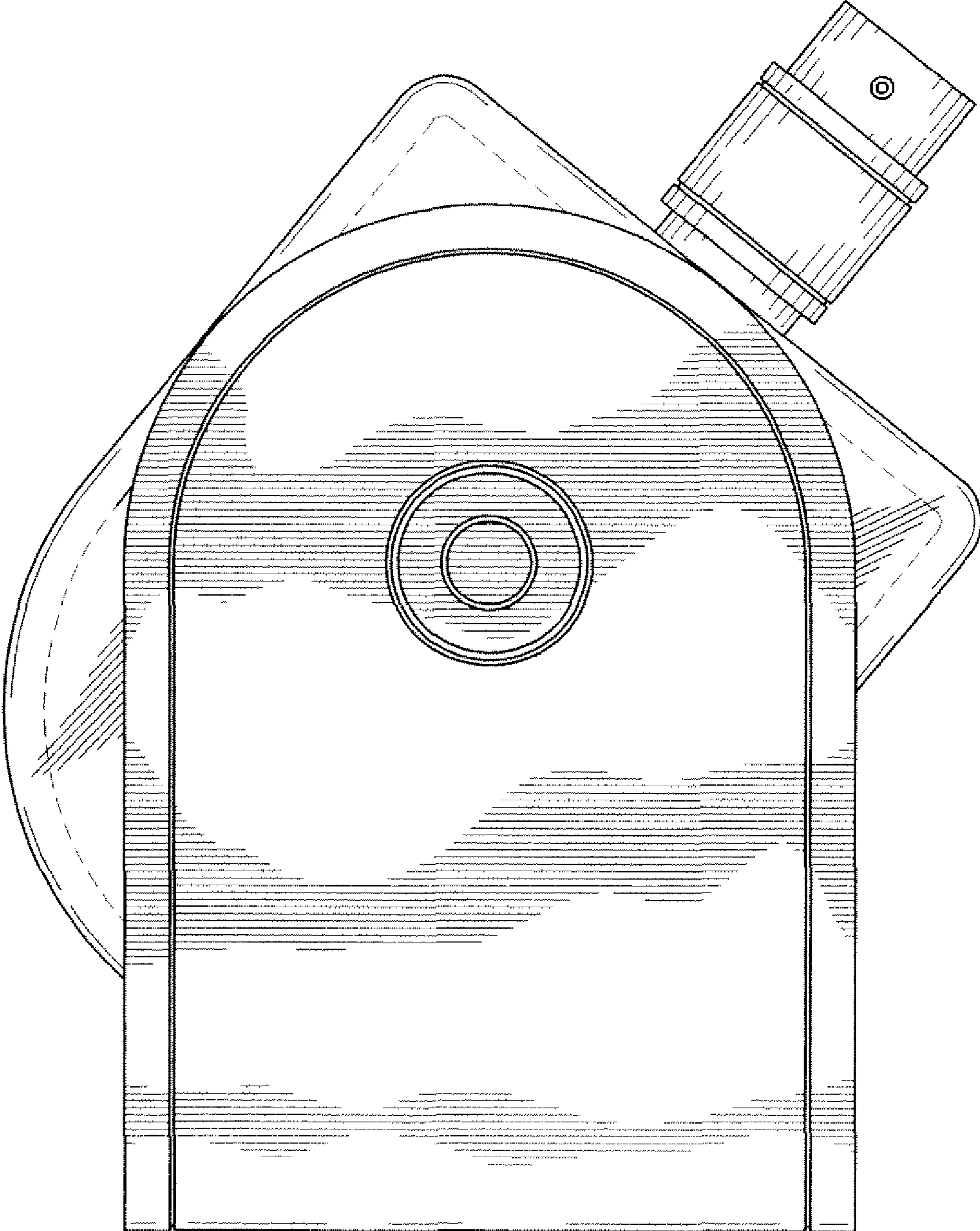


Fig. 9

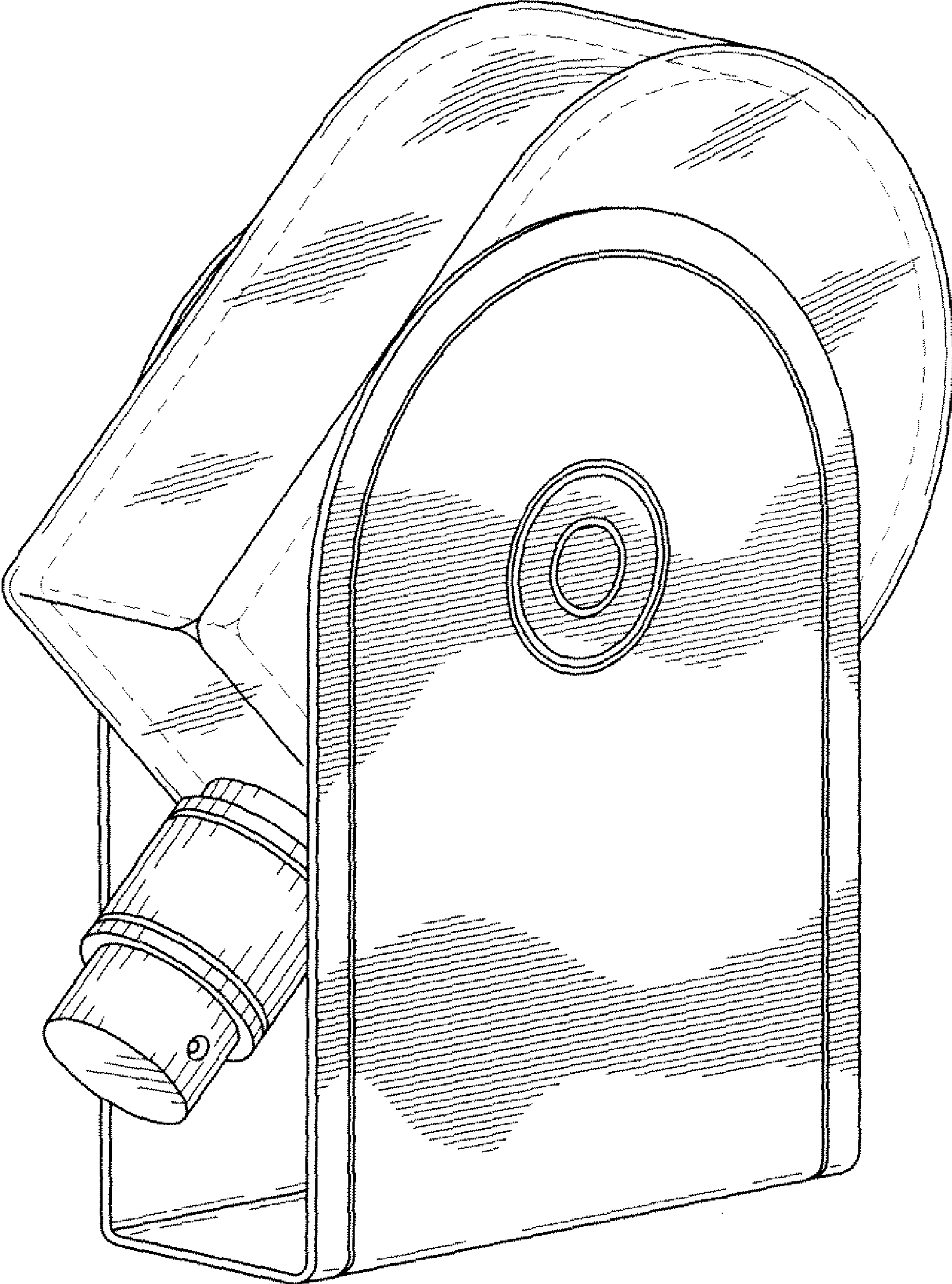


Fig. 10

