



US00D626000S

(12) **United States Design Patent**
Chertoff et al.

(10) **Patent No.:** **US D626,000 S**
(45) **Date of Patent:** **** Oct. 26, 2010**

(54) **FRAGRANCE BOTTLE WITH CAP**

(75) Inventors: **Jesse A. Chertoff**, Brooklyn, NY (US);
Elizabeth Bogert, Croton on Hudson,
NY (US); **Hans Dorsinville**, New York,
NY (US)

(73) Assignee: **Gabrielle Studio, Inc.**, New York, NY
(US)

(**) Term: **14 Years**

(21) Appl. No.: **29/341,095**

(22) Filed: **Jul. 30, 2009**

(51) **LOC (9) Cl.** **09-01**

(52) **U.S. Cl.** **D9/519; D9/529; D9/451;**
D9/540

(58) **Field of Classification Search** D9/451,
D9/516, 519, 520, 523, 526, 529, 549, 572,
D9/575, 682, 685, 686, 688, 689, 690, 691,
D9/540, 693, 719, 500, 503, 504; 215/379,
215/381-385, 200, 272, 276, 316, 318, 388,
215/390; 220/560.09, 200, 213, 600, 602,
220/608, 609, 660, 662, 665, 669, 675, 705
See application file for complete search history.

(56) **References Cited**

U.S. PATENT DOCUMENTS

- D112,545 S * 12/1938 Younghusband D9/504
- D164,193 S * 8/1951 Medgyes D9/451
- D173,126 S * 9/1954 Reilly D99/25
- 2,745,642 A * 5/1956 Hermann 366/130
- 2,915,251 A * 12/1959 North, Jr. 239/302
- 2,952,378 A * 9/1960 Renslow 220/4.16
- D200,981 S * 4/1965 Chessman D9/443
- 3,351,415 A * 11/1967 Hoffman 401/137
- 3,494,515 A * 2/1970 Fattori 222/548
- D289,355 S * 4/1987 Paulides D7/523
- D306,258 S * 2/1990 Liss D9/447
- D333,784 S * 3/1993 Goodman D9/424
- D347,761 S * 6/1994 Arroyo D7/510
- D354,441 S * 1/1995 Fontanella D9/504
- D367,009 S * 2/1996 Dinand D9/519

- D367,207 S * 2/1996 Lutzker D7/591
- D387,990 S * 12/1997 Dinand D9/519
- D425,785 S * 5/2000 Hirato et al. D9/689
- D464,571 S * 10/2002 Hill et al. D9/519
- D465,733 S * 11/2002 Hill D9/519
- D478,813 S * 8/2003 Beene D9/519
- D480,000 S * 9/2003 Hirato D9/504
- D511,978 S * 11/2005 Wilson D10/32

(Continued)

OTHER PUBLICATIONS

<http://www.gnpd.com>; Mintel gnpd; Eau de Toilette; Record ID:
968858;Euroitalia; Moschino Cheap and Chic Hippy Frizz; Fra-
grances; Women's Fragrances; UK; Sep. 2008.

Primary Examiner—Stella M Reid

Assistant Examiner—Elizabeth J Oswecki

(74) *Attorney, Agent, or Firm*—Cynthia R. Miller

(57) **CLAIM**

The ornamental design for a fragrance bottle with cap, sub-
stantially as shown.

DESCRIPTION

FIG. 1 is a top, front and right side perspective view of a
fragrance bottle with cap showing our new design;

FIG. 2 is a front elevation view thereof;

FIG. 3 is a rear elevation view thereof;

FIG. 4 is a right side elevation view thereof;

FIG. 5 is a left side elevation view thereof;

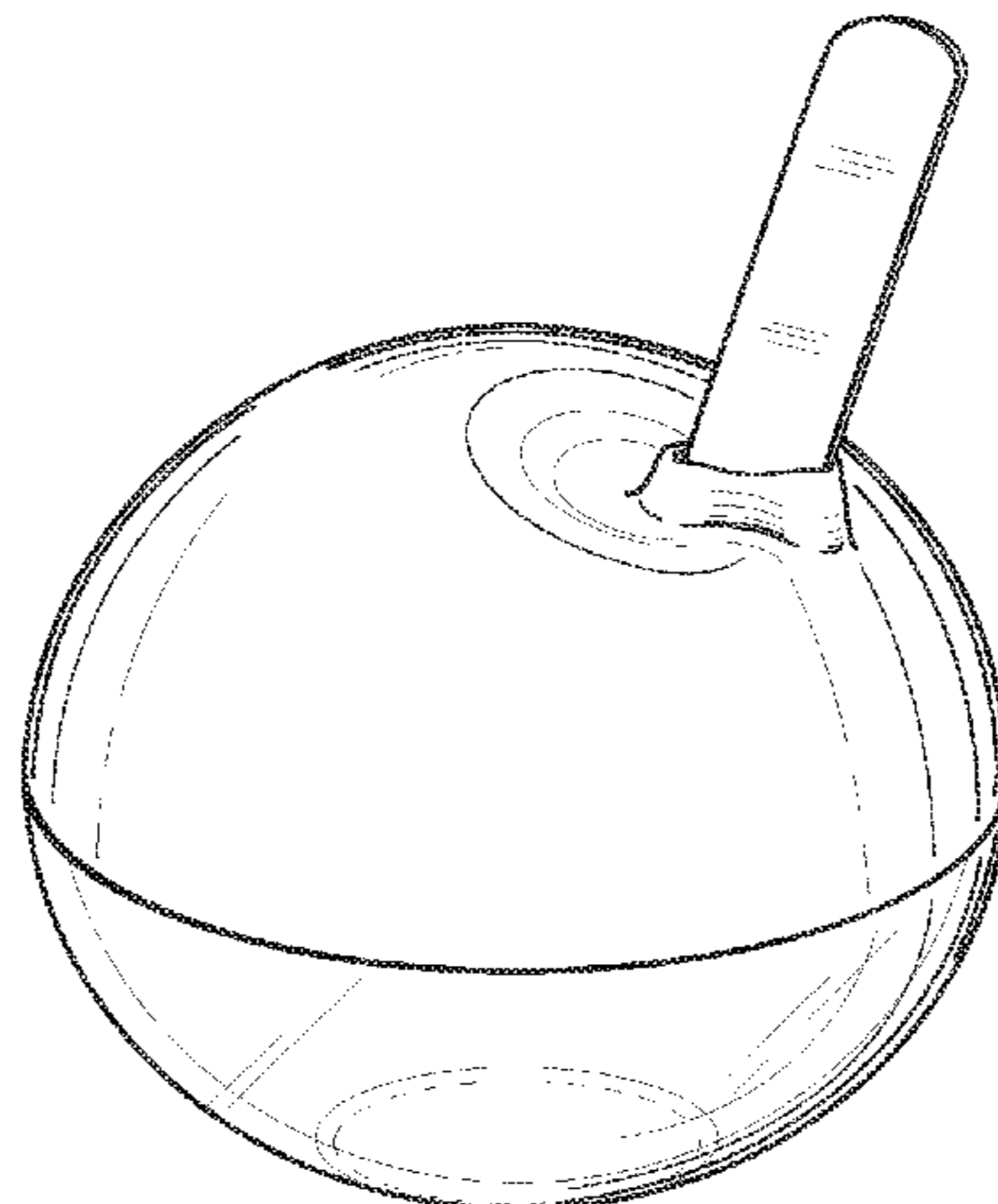
FIG. 6 is a top plan view thereof;

FIG. 7 is a bottom plan view thereof; and,

FIG. 8 is an exploded view of a fragrance bottle with cap, with
the cap removed.

The broken line showing of a spray pump and portions of the
base of the bottle in FIGS. 1, 7 and 8 are included for the
purpose of illustrating only and form no part of the claimed
design.

1 Claim, 4 Drawing Sheets



US D626,000 S

Page 2

U.S. PATENT DOCUMENTS

D522,118 S *	5/2006	Miro	D23/366	D572,535 S *	7/2008	El-Ghouyel et al.	D7/538
D529,397 S	10/2006	Lavigne et al.		D573,026 S *	7/2008	Tsai	D9/519
D530,881 S *	10/2006	Doehren et al.	D1/102	D578,002 S *	10/2008	Canamasas Puigbo	D9/519
D543,244 S *	5/2007	Tsuruha	D19/73	D592,064 S *	5/2009	Kilany	D9/519
D552,473 S *	10/2007	Simkin	D9/519	D612,245 S *	3/2010	Canamasas Puigbo	D9/519
D564,900 S *	3/2008	Green et al.	D9/715	D619,896 S *	7/2010	Iwazu et al.	D9/504
D571,224 S *	6/2008	Py	D9/682	2006/0081721 A1 *	4/2006	Caserta et al.	239/44

* cited by examiner

FIG. 1

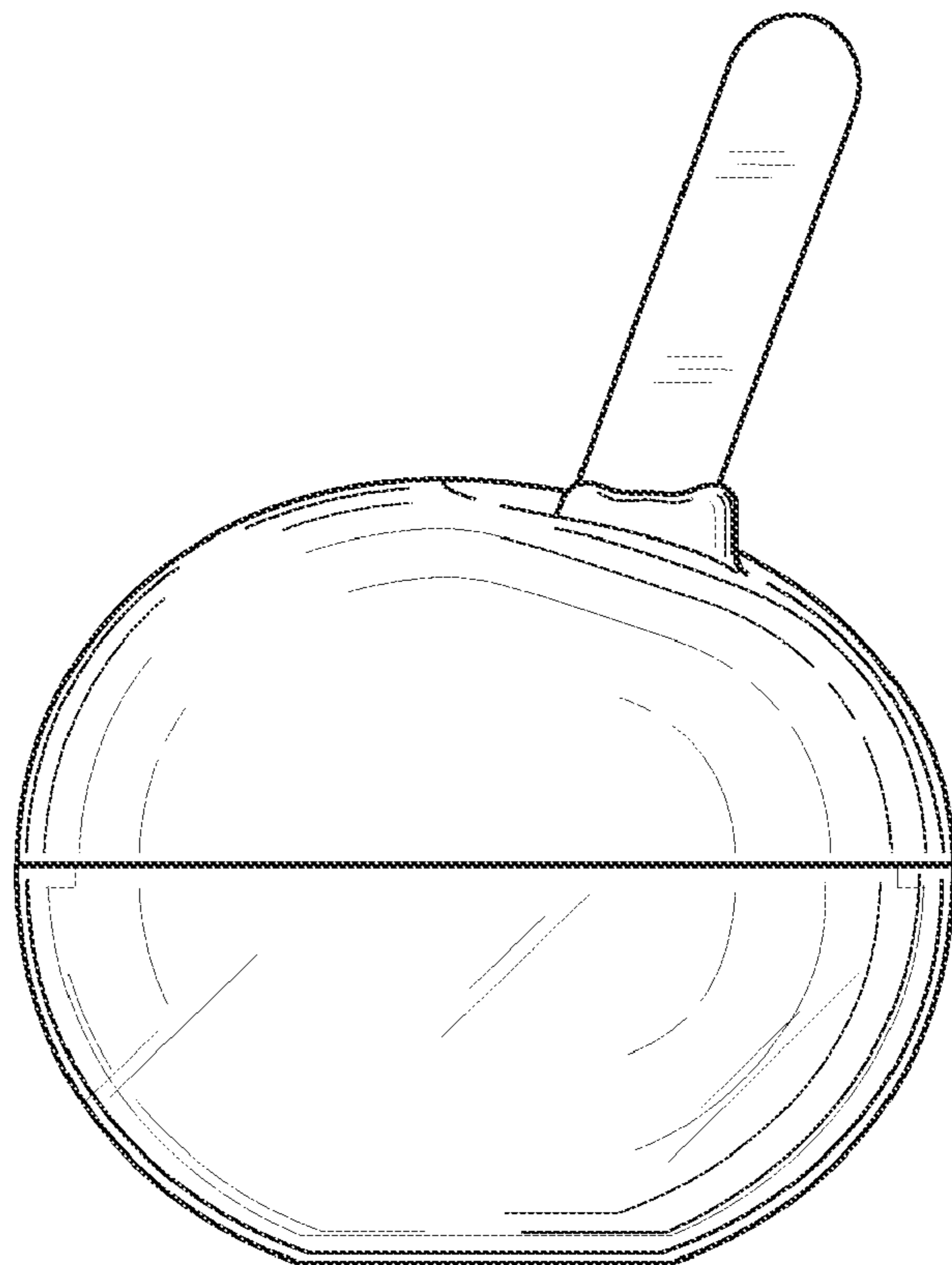
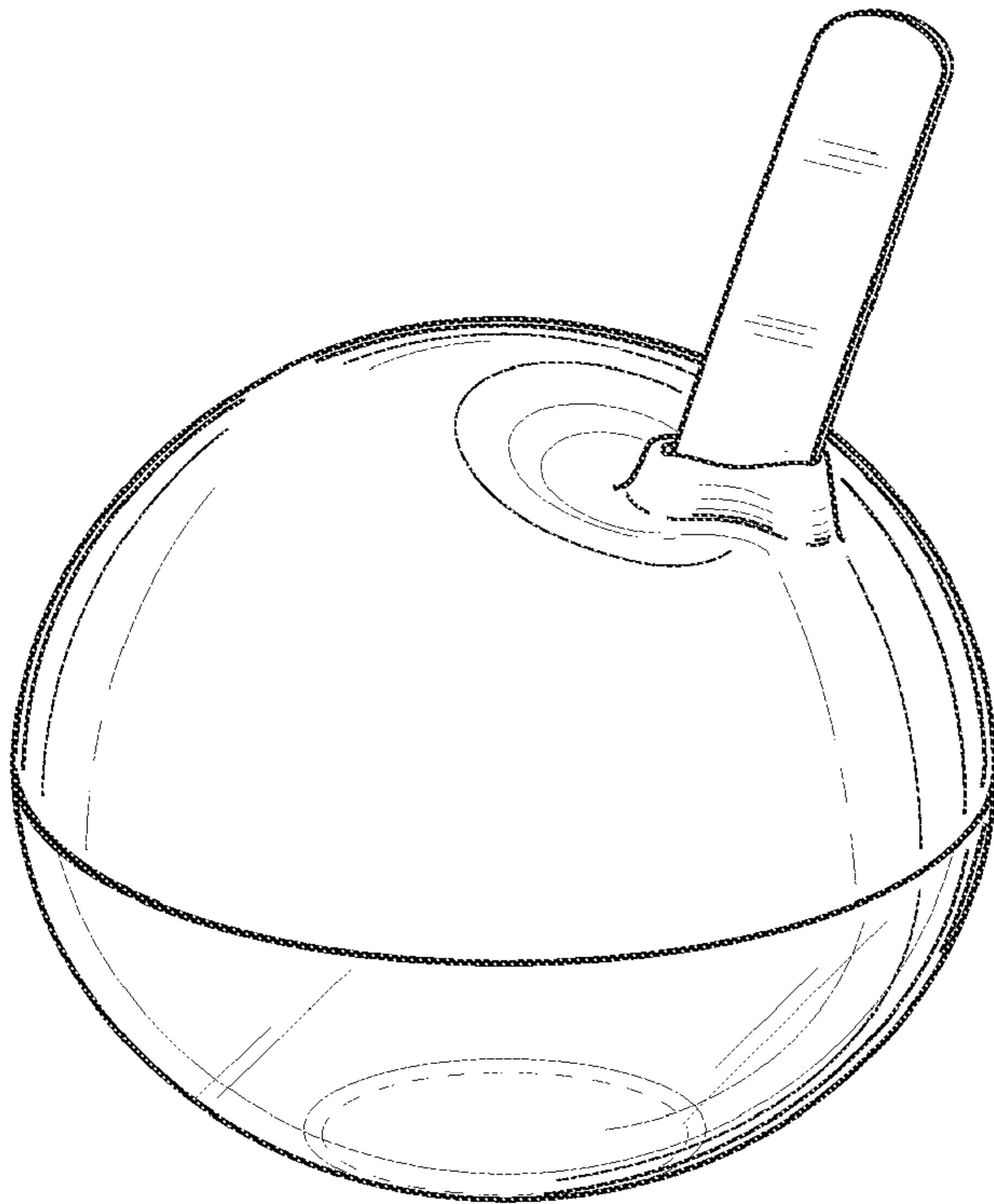


FIG. 2

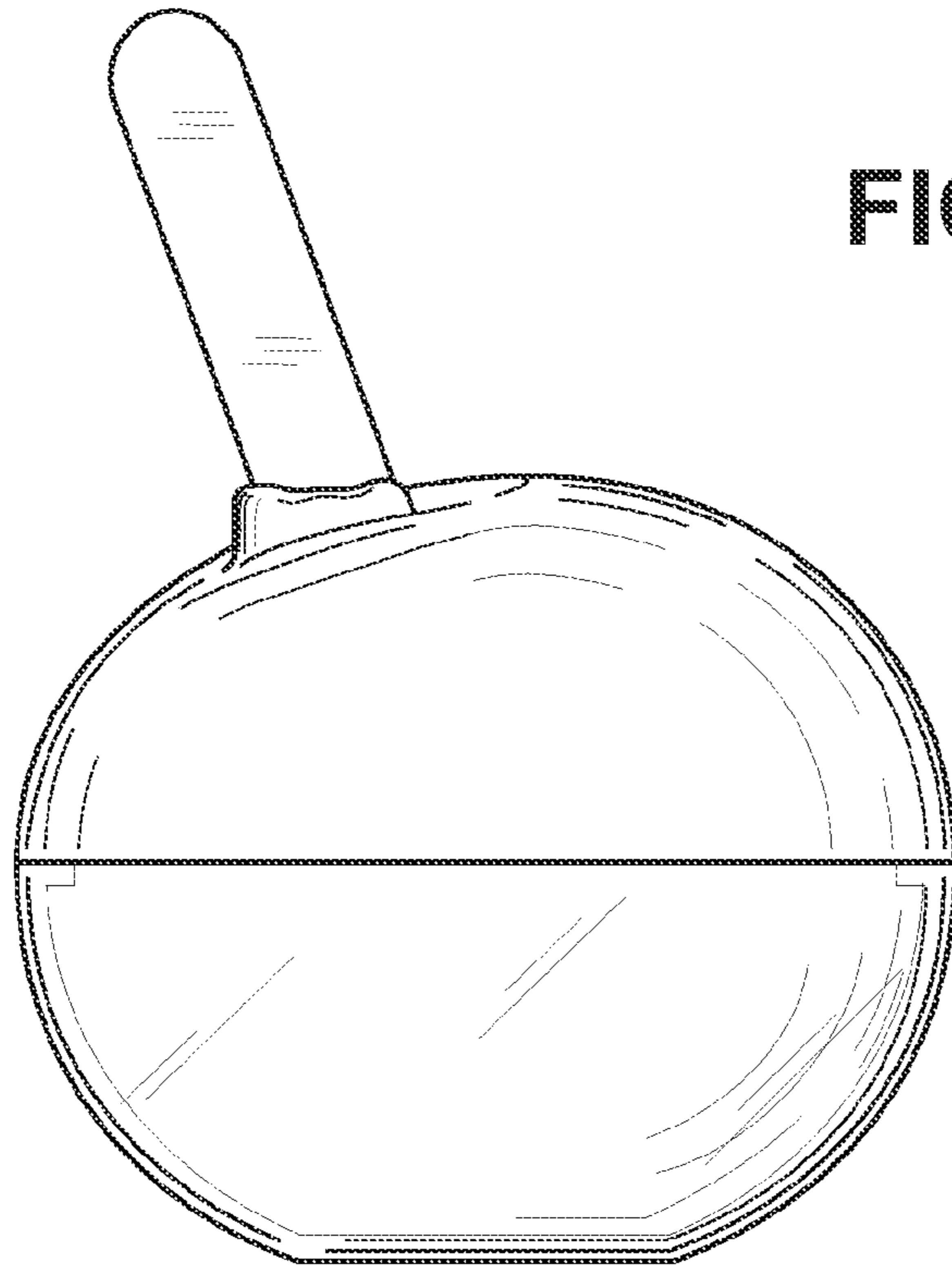


FIG. 3

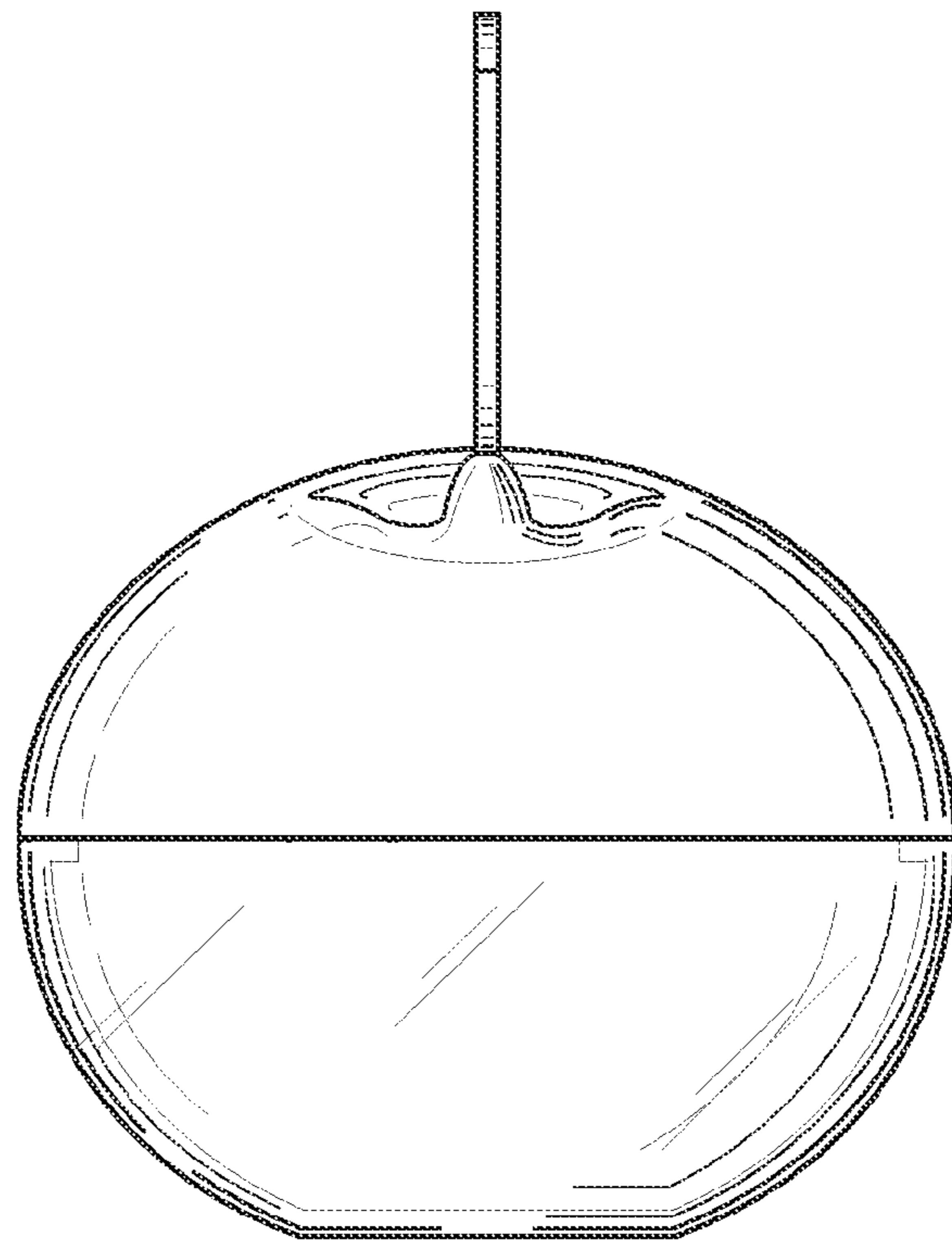


FIG. 4

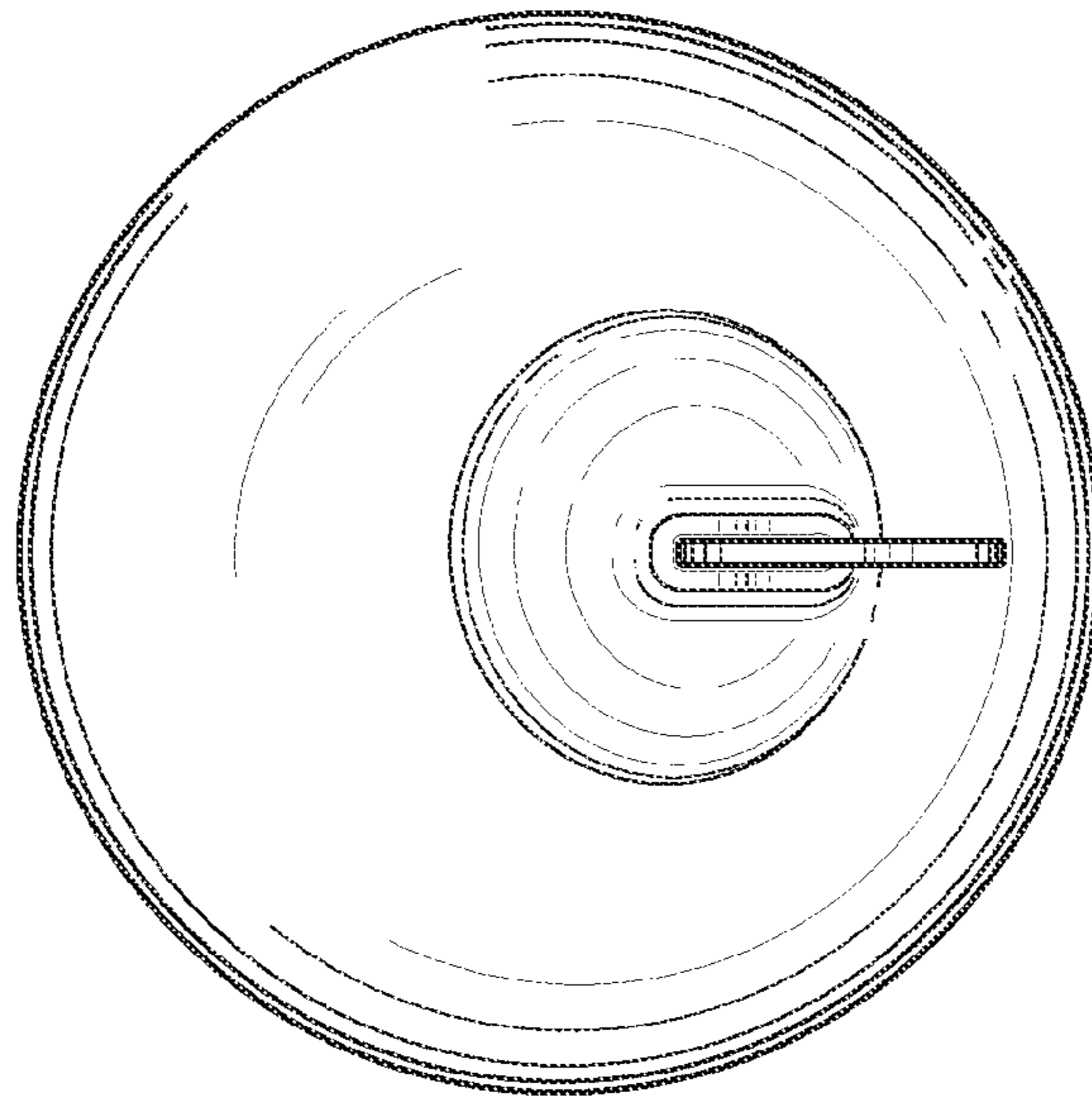
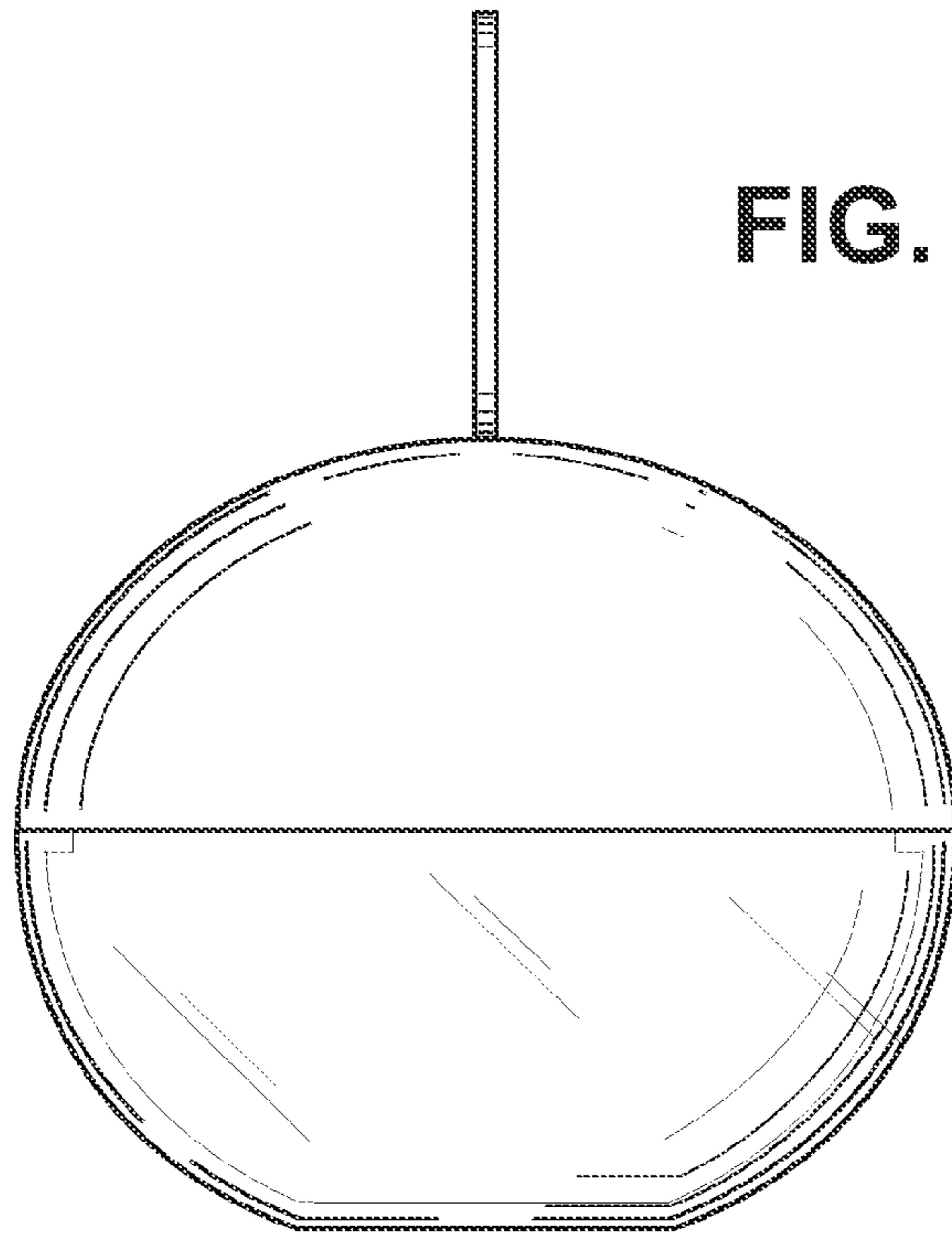


FIG. 7

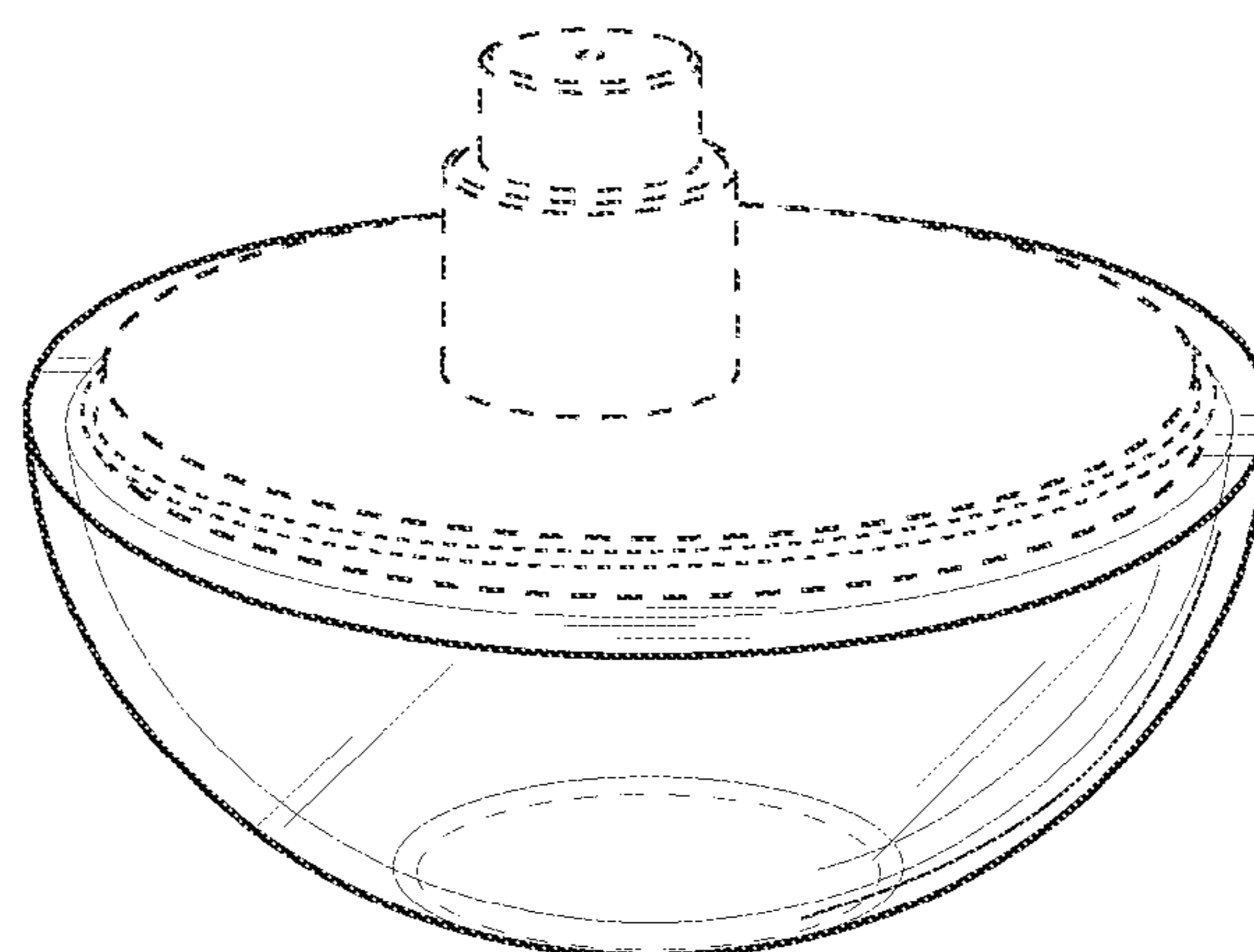
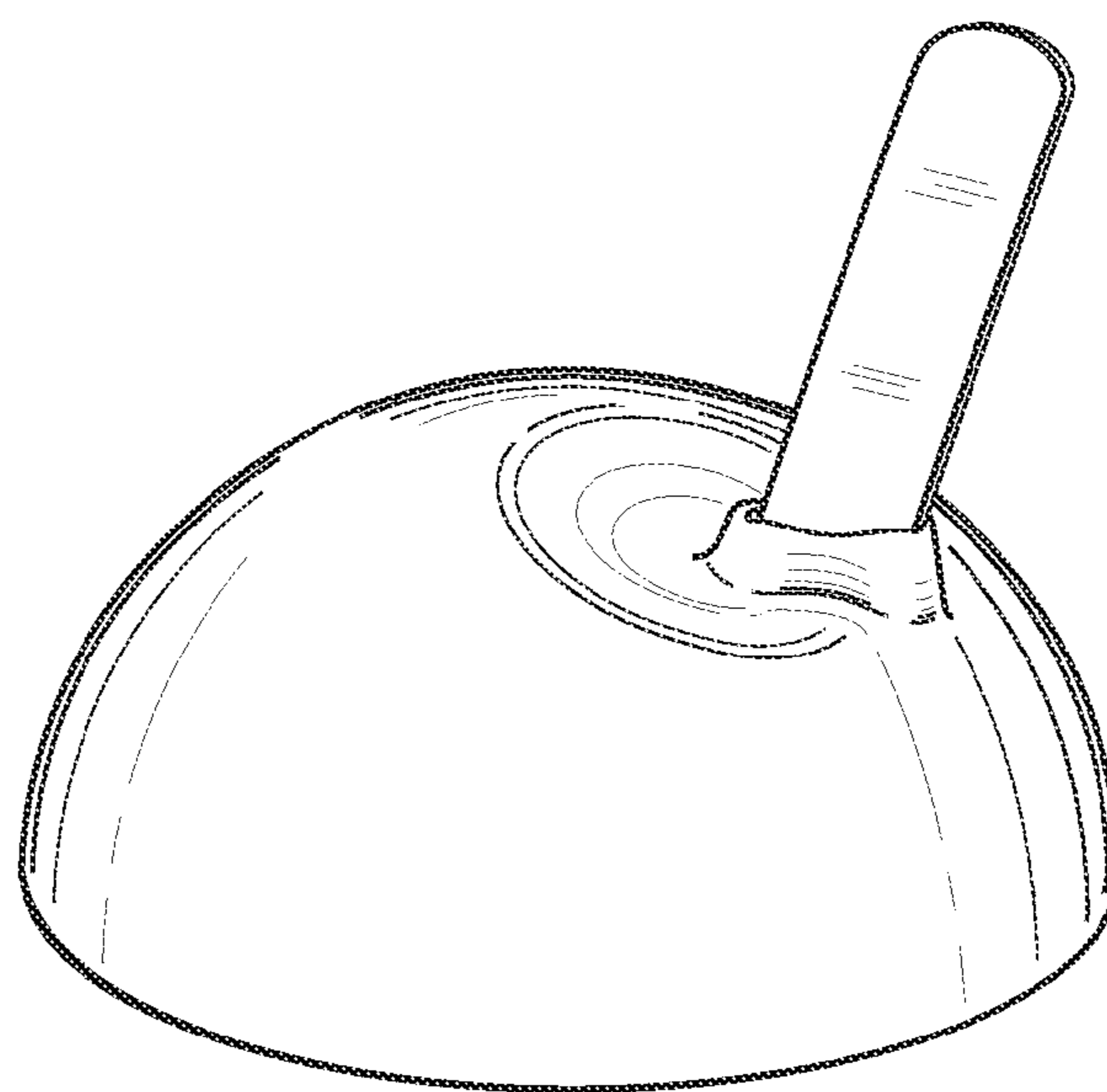
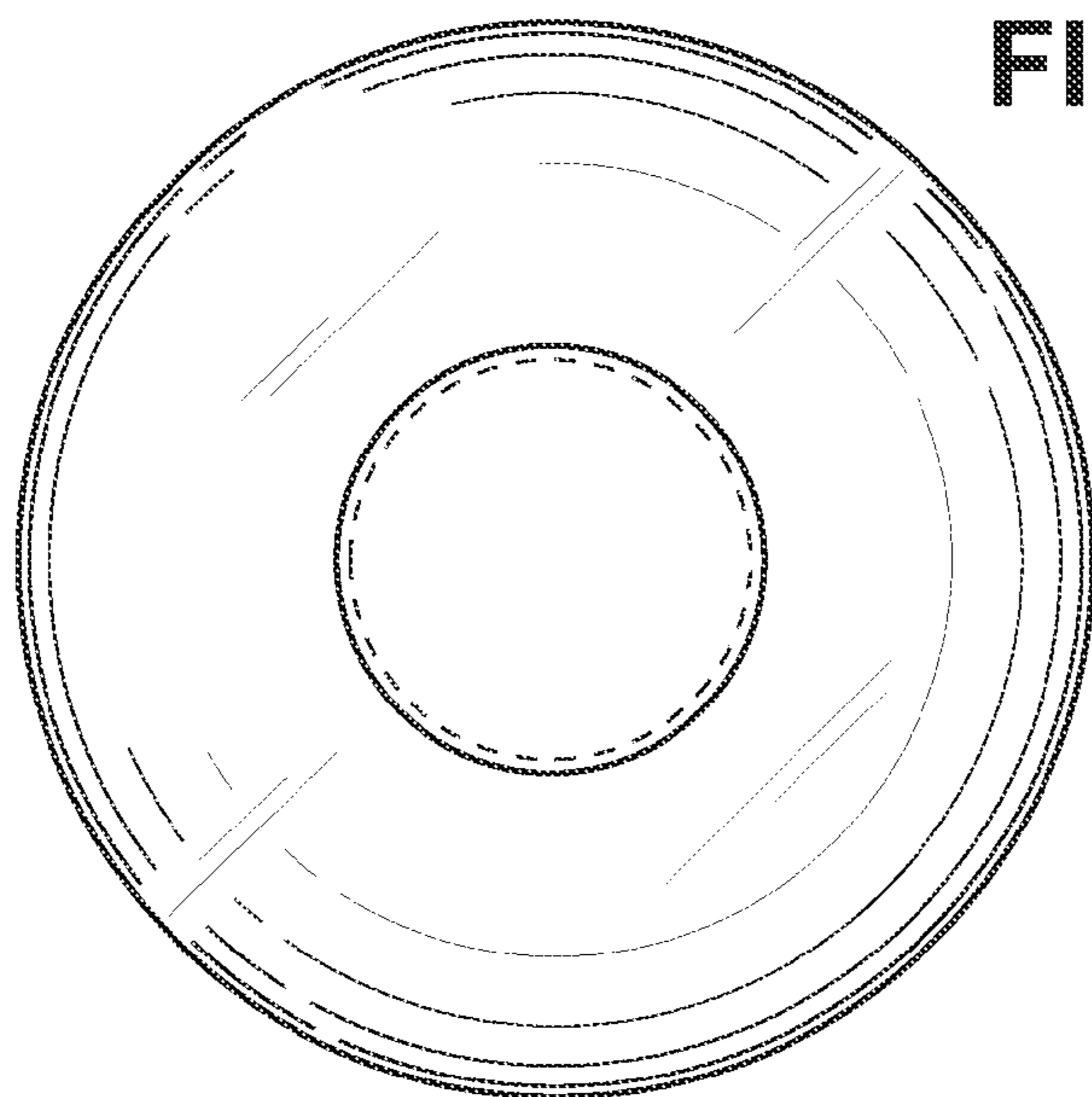


FIG. 8