



US00D625999S

(12) **United States Design Patent**
Arnell et al.

(10) **Patent No.:** **US D625,999 S**
(45) **Date of Patent:** **** Oct. 26, 2010**

(54) **CAP**

(75) Inventors: **Peter E. Arnell**, New York, NY (US);
Marc T. Wiescinski, Chicago, IL (US);
Nicole Green, Barrington, IL (US);
Brent S. Nelson, Village of Lakewood,
IL (US); **Paul Gahlman**, Muskego, WI
(US); **Tim Mazurkiewicz**, Milwaukee,
WI (US); **Matt Meisner**, Crystal Lake,
IL (US); **Michael Cannamela**, New
York, NY (US); **Jonathan Kim**,
Brooklyn, NY (US); **Jung-ah Suh**, New
York, NY (US)

(73) Assignee: **Tropicana Products, Inc.**, Bradenton,
FL (US)

(**) Term: **14 Years**

(21) Appl. No.: **29/359,487**

(22) Filed: **Apr. 12, 2010**

(51) **LOC (9) Cl.** **09-07**

(52) **U.S. Cl.** **D9/449; D9/453**

(58) **Field of Classification Search** D9/529,
D9/504, 503, 454, 453, 452, 450, 449, 447,
D9/446, 443, 435; D7/900, 396.2, 392.1;
222/556, 544, 494, 480, 472, 321.9, 212,
222/185.1; 220/837, 835, 813, 810, 375,
220/254.5; 215/305, 228, 226, 200

See application file for complete search history.

(56) **References Cited**

U.S. PATENT DOCUMENTS

D184,567 S	3/1959	Keck	
D278,312 S	4/1985	Cleevely et al.	
4,568,005 A	2/1986	Jalovec et al.	
D356,499 S	3/1995	Cautereels et al.	
5,499,736 A	3/1996	Kohl	
5,699,912 A *	12/1997	Ishikawa et al.	206/494
D473,740 S *	4/2003	Ruhotas et al.	D6/515
6,561,391 B1	5/2003	Baker	
D480,268 S	10/2003	Laib	
D480,641 S	10/2003	Hurlbut et al.	

D495,545 S *	9/2004	Niehues	D6/518
D497,195 S	10/2004	Nishi et al.	
6,948,643 B1 *	9/2005	Lohrman	222/556
D513,987 S *	1/2006	Bansal	D9/449
D529,803 S *	10/2006	Zaidman	D9/449
D531,905 S	11/2006	Day	
D573,878 S	7/2008	Rathbone et al.	
D576,876 S *	9/2008	Mount	D9/449
D581,795 S	12/2008	Appelholm	
7,644,843 B1 *	1/2010	Bush et al.	222/546
2007/0170191 A1	7/2007	Arvidsson et al.	

* cited by examiner

Primary Examiner—Susan Bennett Hattan

(74) *Attorney, Agent, or Firm*—Banner & Witcoff, Ltd.

(57) **CLAIM**

The ornamental design for a cap, as shown and described.

DESCRIPTION

FIG. 1 is a top, front, right perspective view of a cap showing of our new design;

FIG. 2 is a top view thereof;

FIG. 3 is a right side view thereof;

FIG. 4 is a left side view thereof;

FIG. 5 is a front view thereof;

FIG. 6 is a rear view thereof;

FIG. 7 is a top, front, right perspective view of a cap of FIGS. 1-6 in an open position;

FIG. 8 is a top view thereof;

FIG. 9 is a right side view thereof;

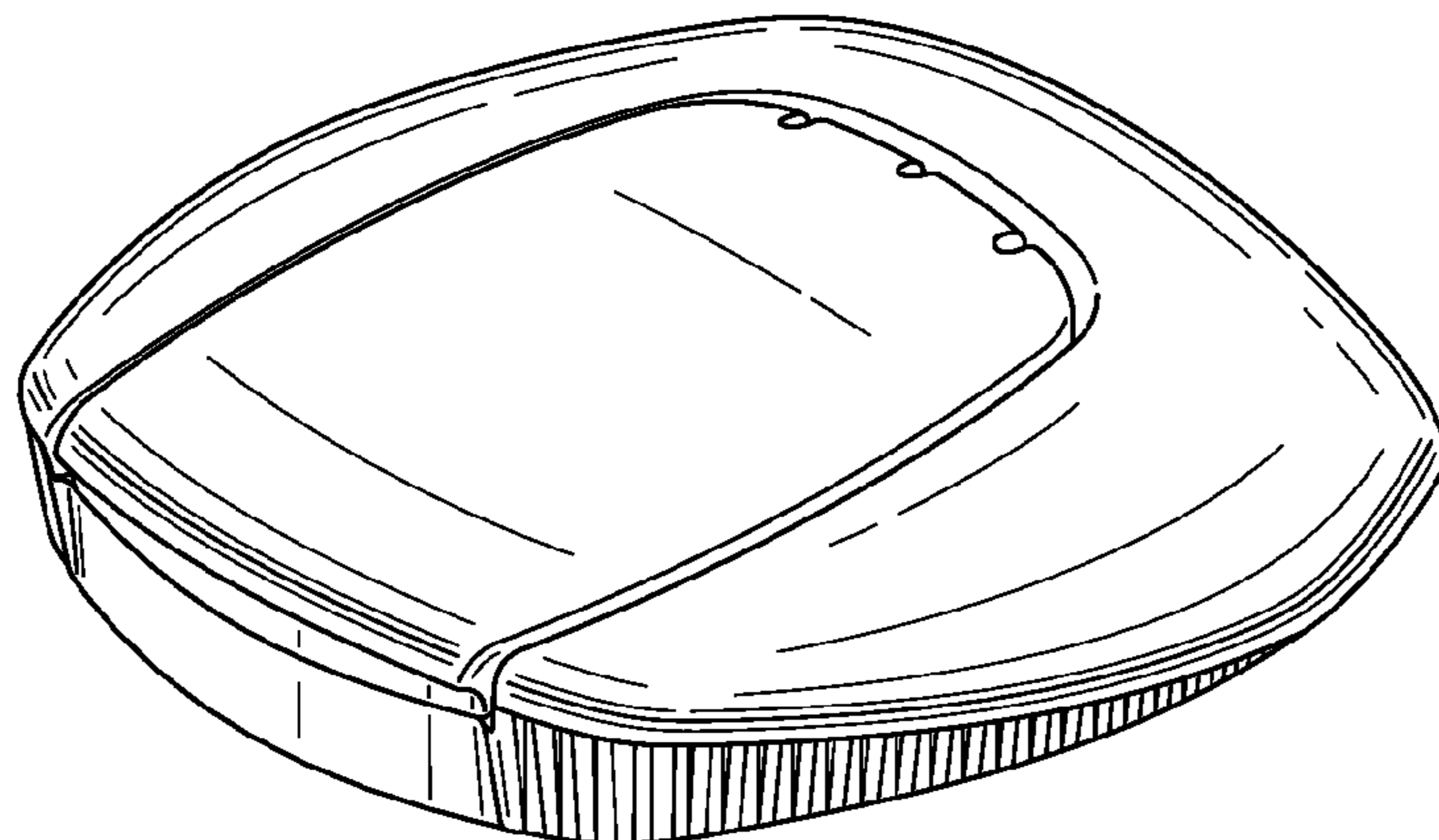
FIG. 10 is a left side view thereof;

FIG. 11 is a front view thereof; and,

FIG. 12 is a rear view thereof.

The uneven-length broken lines represent unclaimed boundaries of the claimed design. The even-length broken lines showing the remainder of the cap are for environmental purposes only and form no part of the claimed design.

1 Claim, 5 Drawing Sheets



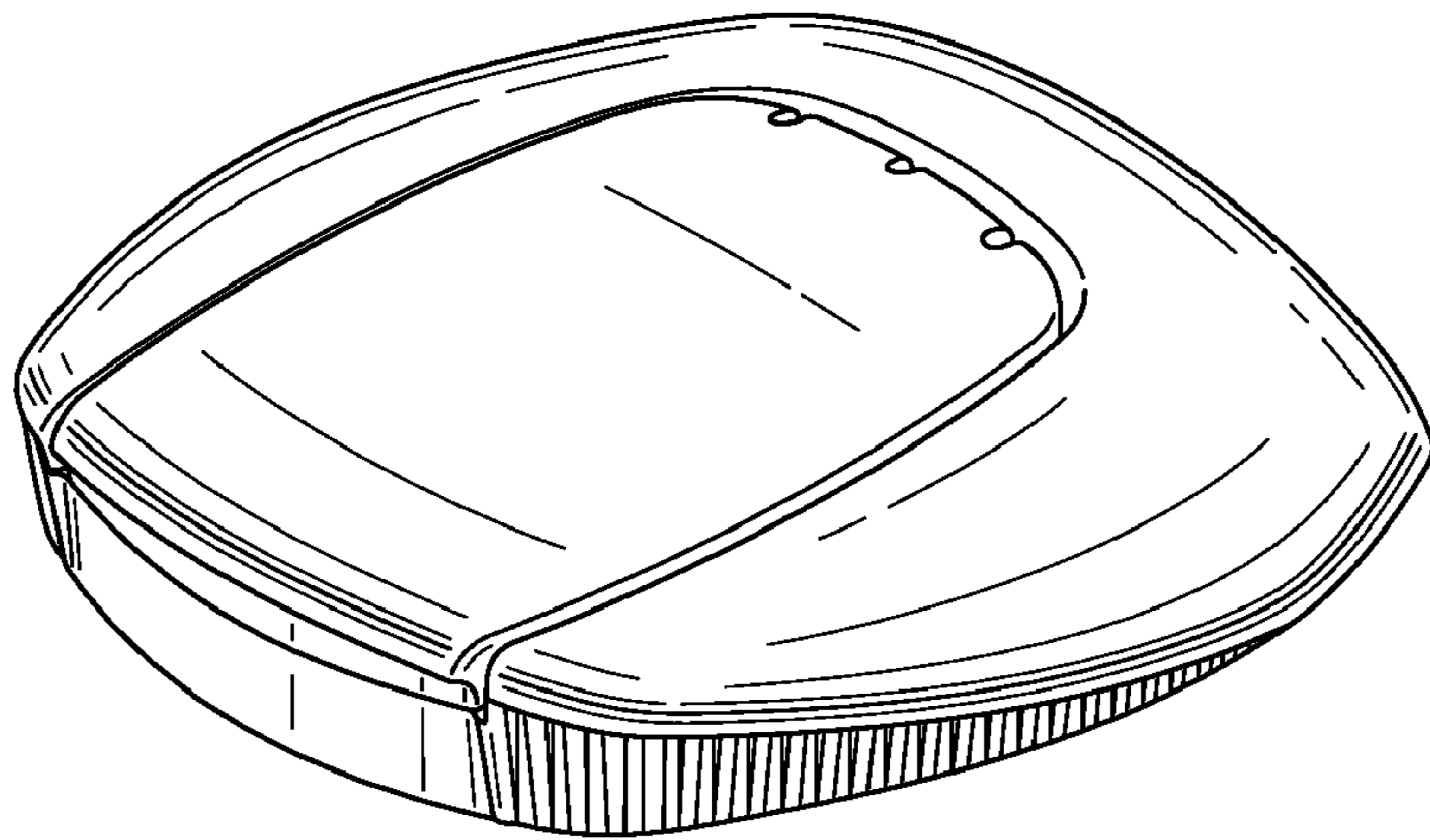


Fig. 1

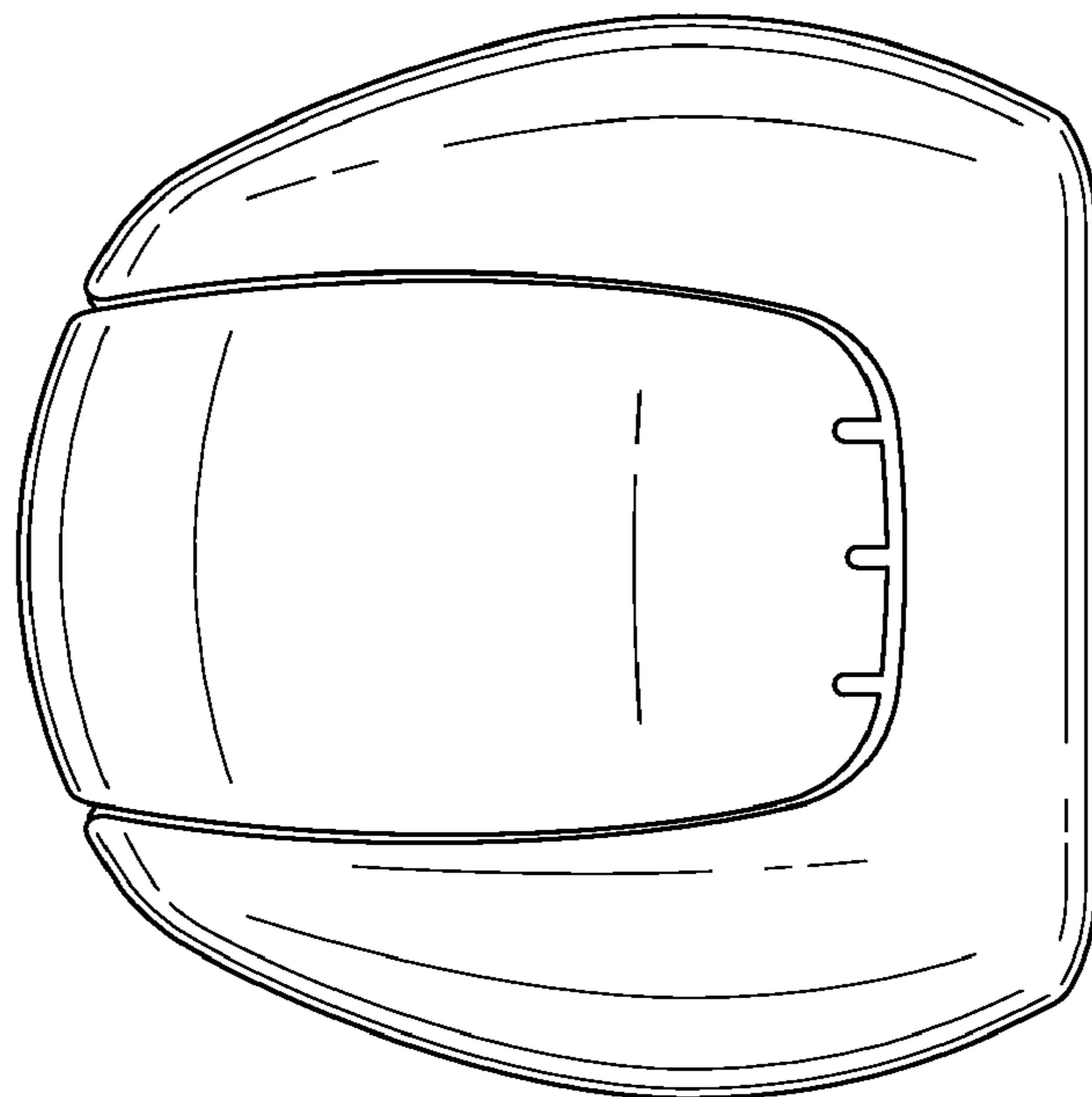


Fig. 2

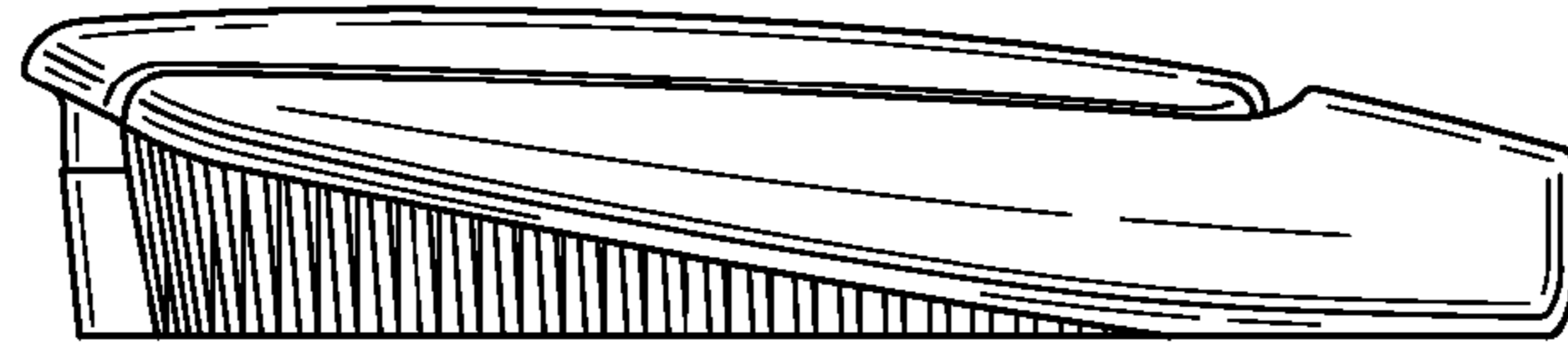


Fig. 3

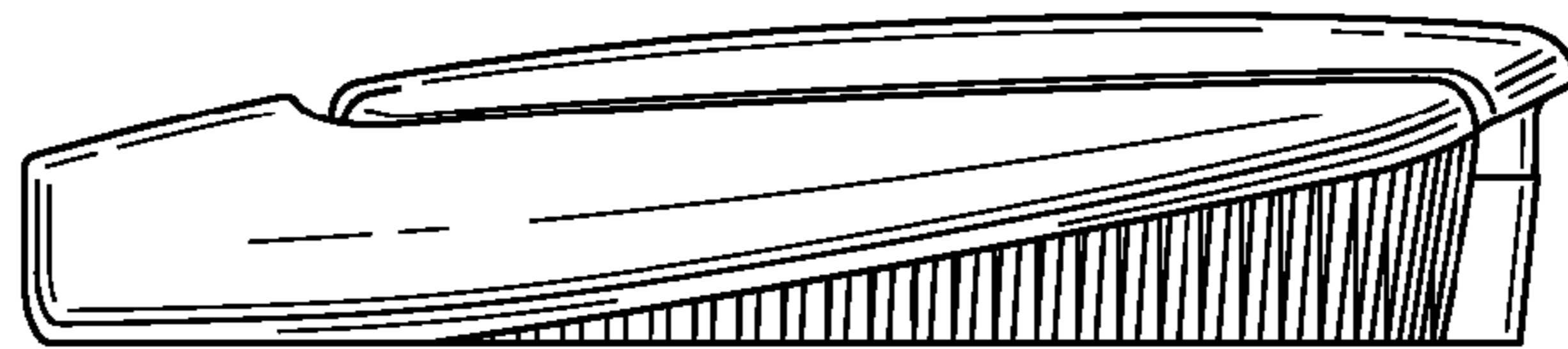


Fig. 4

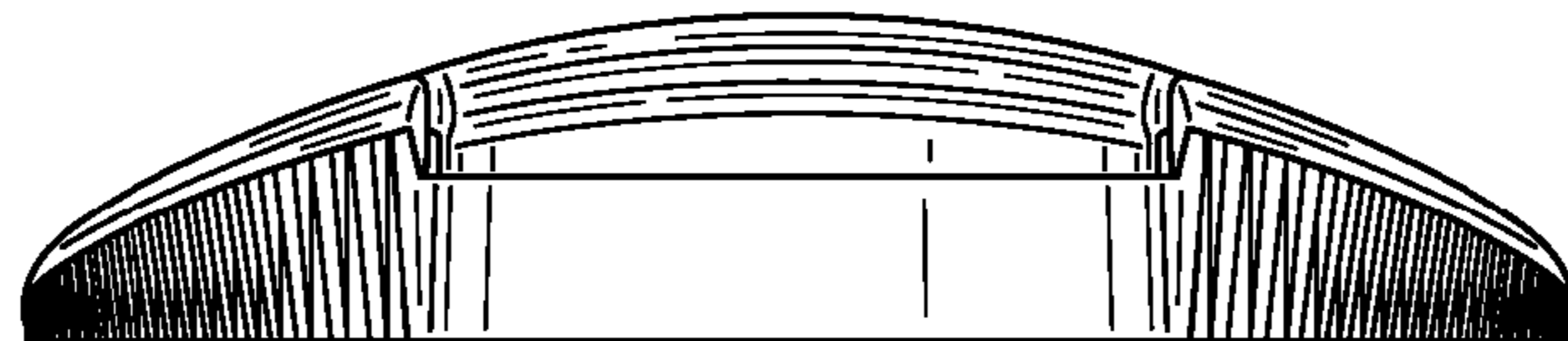


Fig. 5

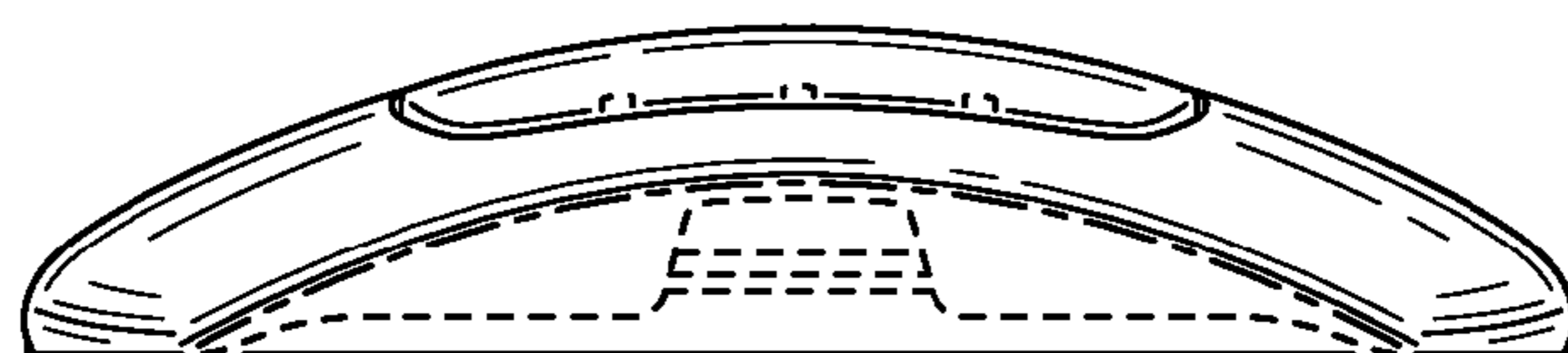


Fig. 6

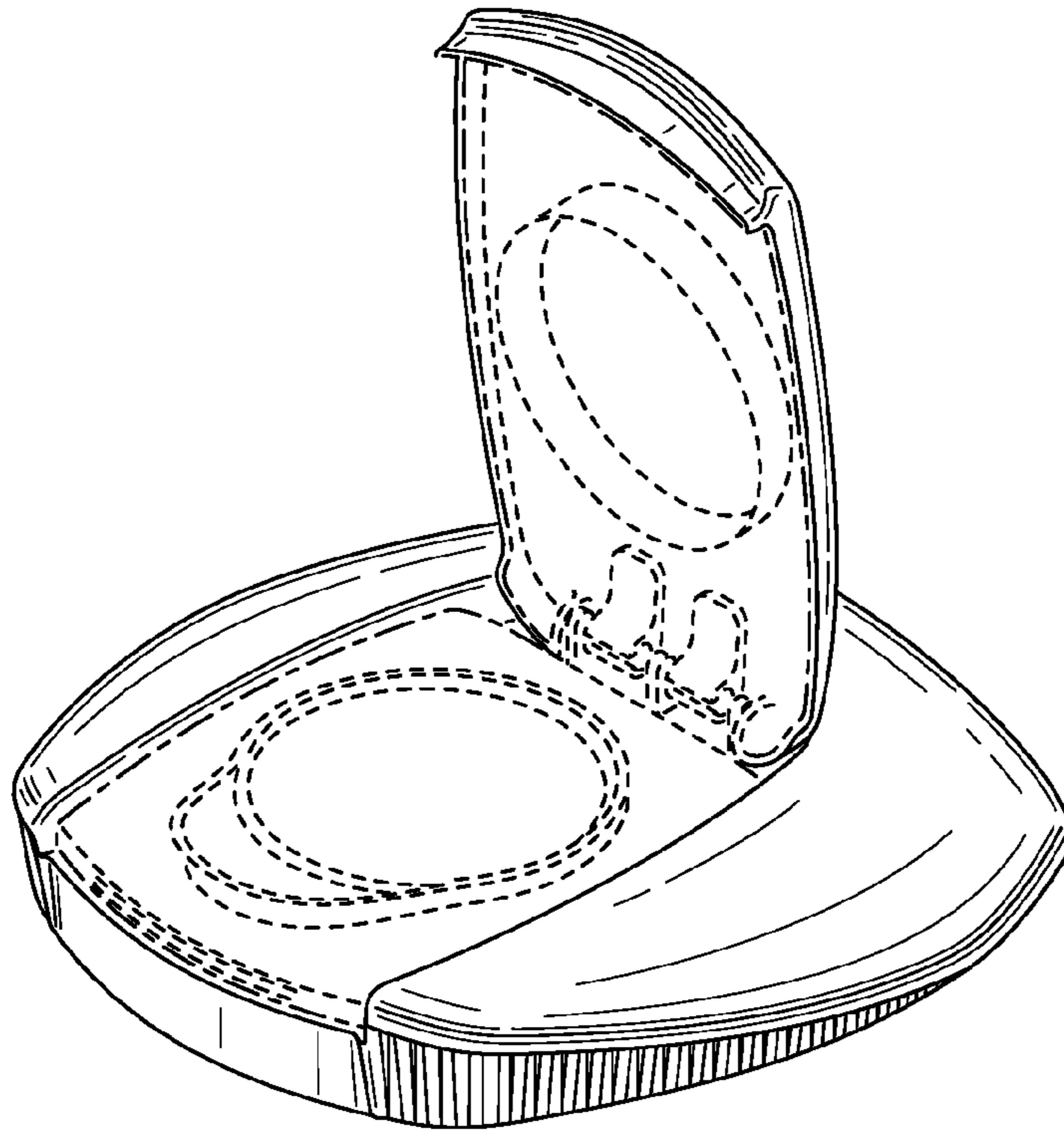


Fig. 7

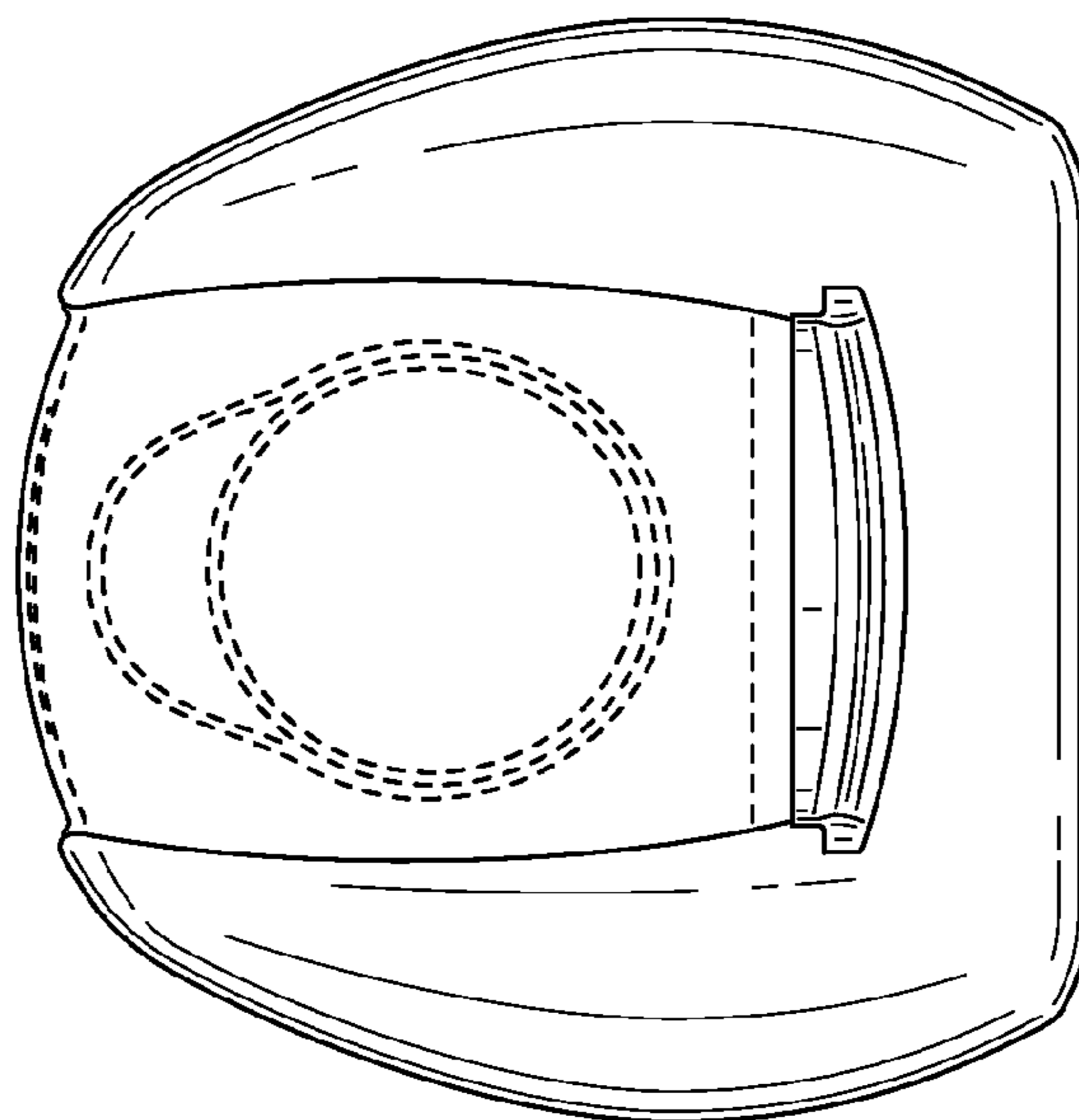


Fig. 8

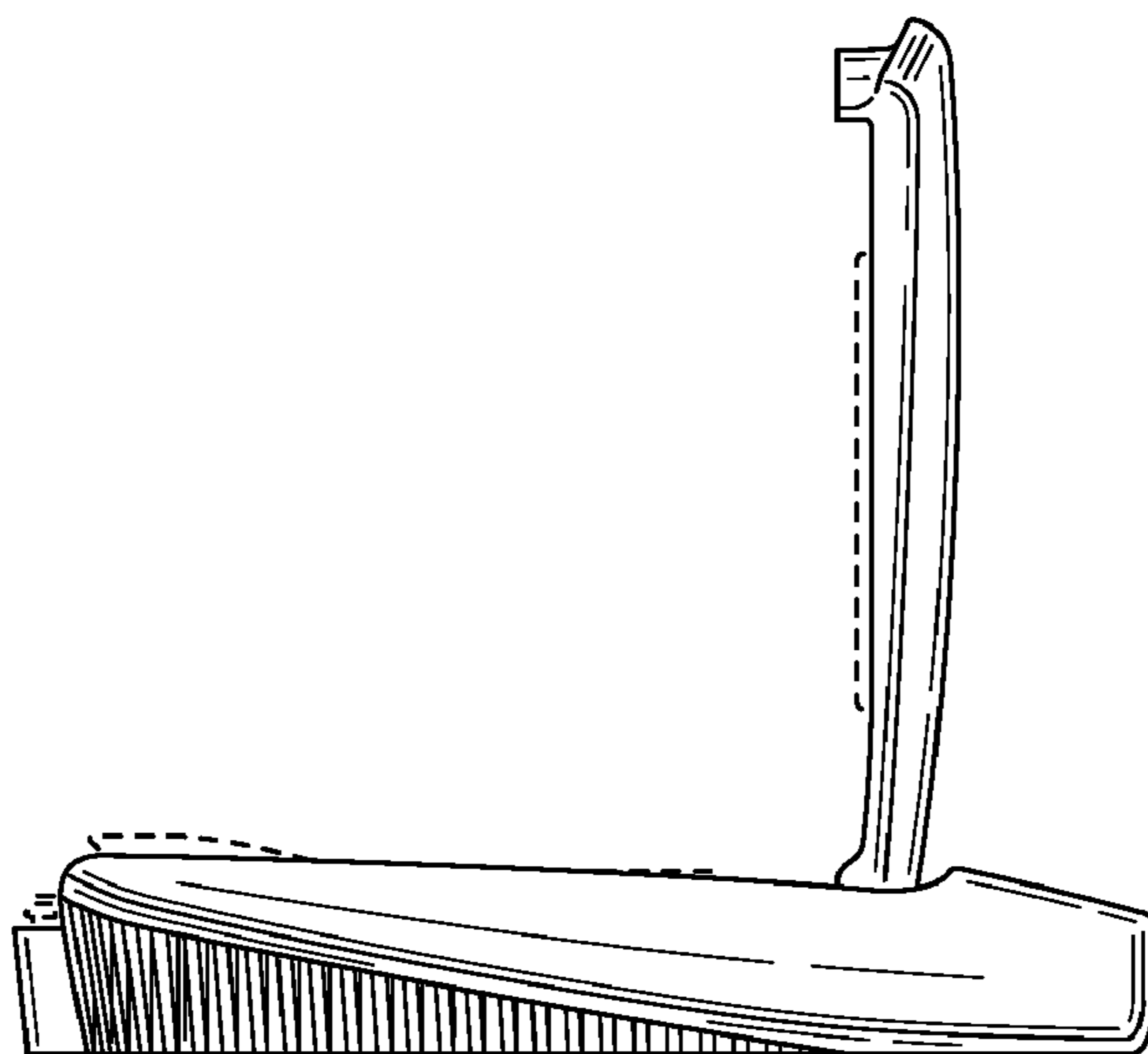


Fig. 9

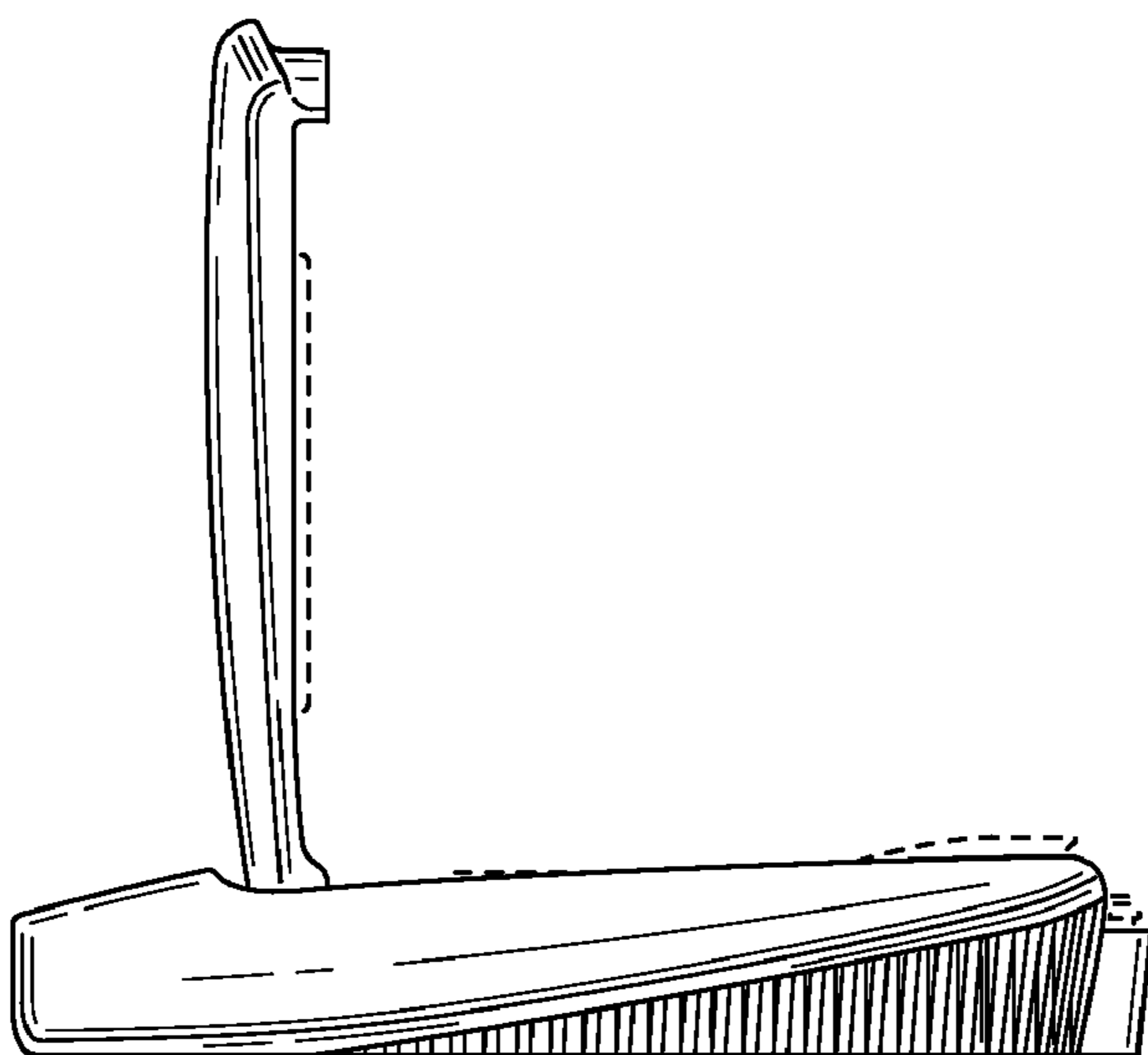


Fig. 10

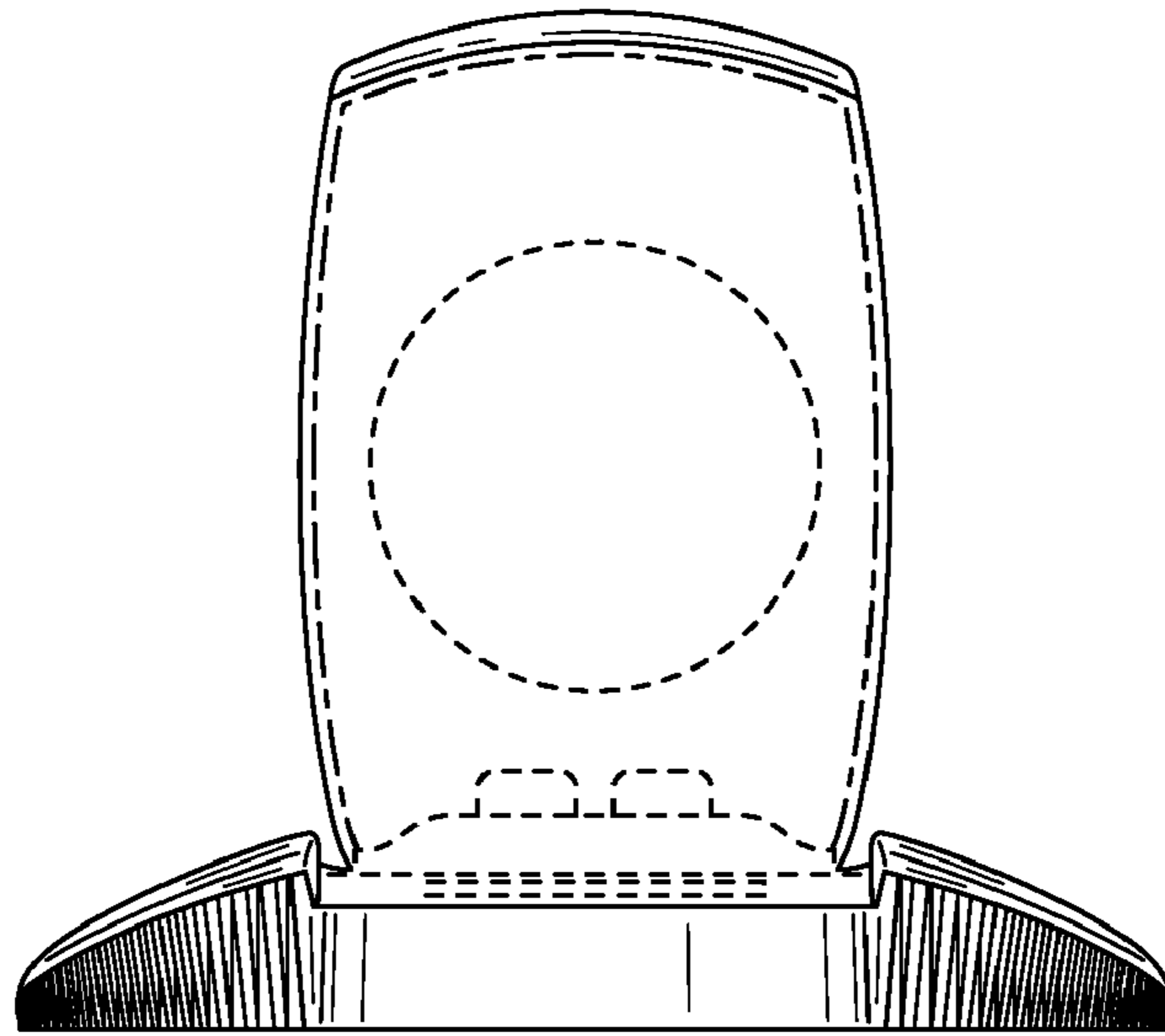


Fig. 11

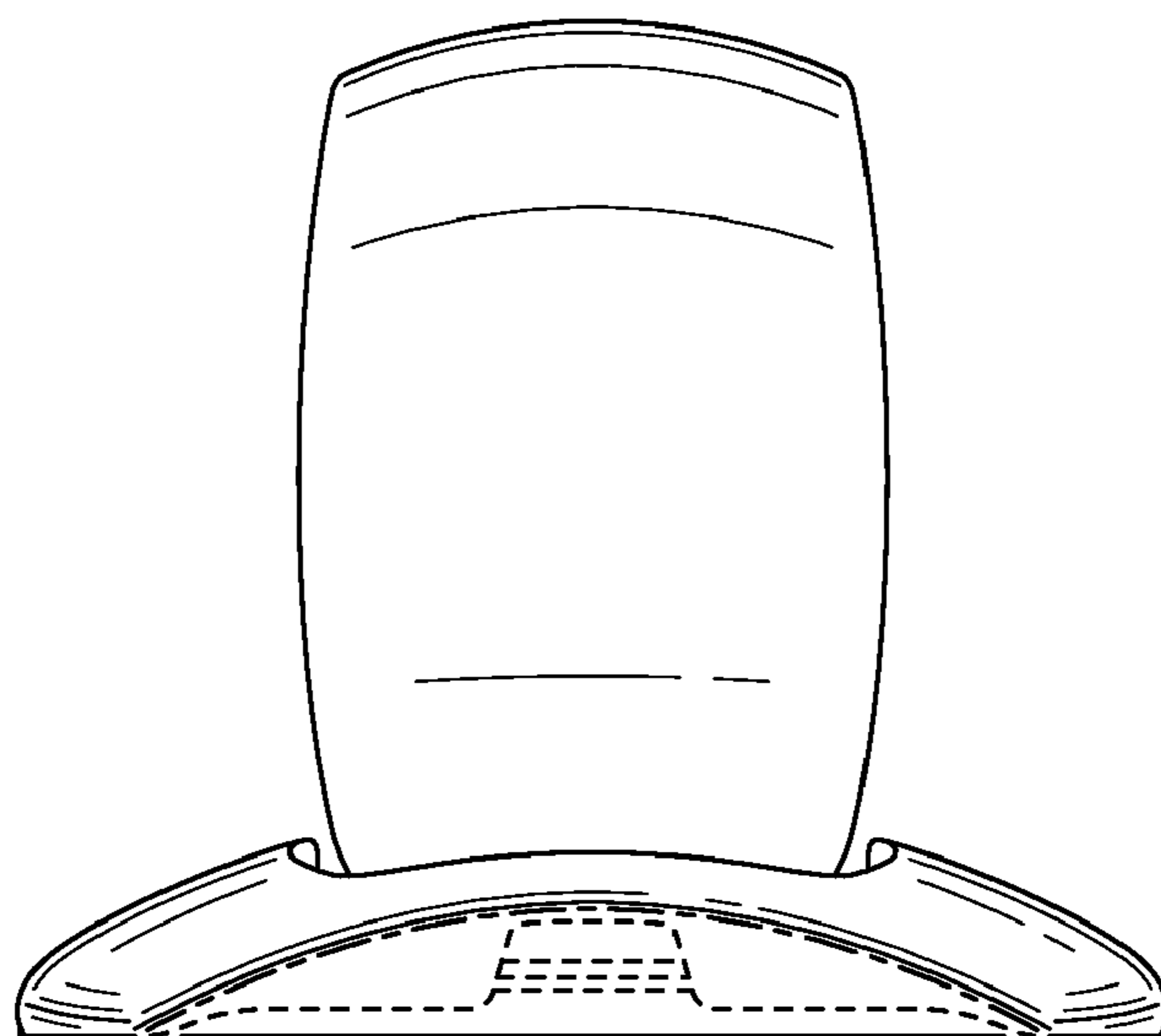


Fig. 12