



US00D625998S

(12) **United States Design Patent**  
**Claassen**

(10) **Patent No.:** **US D625,998 S**  
(45) **Date of Patent:** **\*\* Oct. 26, 2010**

(54) **SPRAY CAP FOR AN AEROSOL CONTAINER**

(75) Inventor: **Arnoldus Johannus Claassen**,  
Eindhoven (NL)

(73) Assignee: **Reckitt Benckiser Inc.**, Parsippany, NJ  
(US)

(\*\*) Term: **14 Years**

(21) Appl. No.: **29/357,404**

(22) Filed: **Mar. 11, 2010**

(30) **Foreign Application Priority Data**

Sep. 15, 2009 (EM) ..... 001611401-0001

(51) **LOC (9) Cl.** ..... **09-07**

(52) **U.S. Cl.** ..... **D9/448**

(58) **Field of Classification Search** ..... D9/456,  
D9/455, 448, 447, 445, 438, 434, 763, 772;  
D7/605, 387, 213; D3/211, 207; D23/226;  
40/307; 239/333, 331; 222/635, 631, 566,  
222/321.9, 321.8, 321.7, 320, 251; 220/915,  
220/269, 268, 258.5

See application file for complete search history.

(56) **References Cited**

**U.S. PATENT DOCUMENTS**

D370,847 S \* 6/1996 Lamb ..... D9/448

D379,433 S \* 5/1997 Croft ..... D9/445  
D419,878 S \* 2/2000 Kerr et al. .... D9/448  
D576,874 S \* 9/2008 Miller et al. .... D9/448  
D587,576 S \* 3/2009 Miller et al. .... D9/448

\* cited by examiner

*Primary Examiner*—Susan Bennett Hattan

(74) *Attorney, Agent, or Firm*—Norris McLaughlin &  
Marcus, PA

(57) **CLAIM**

The ornamental design for an spray cap for an aerosol con-  
tainer, as shown and described.

**DESCRIPTION**

FIG. 1 is a front perspective view of our spray cap for an  
aerosol container;

FIG. 2 is a front elevation view thereof;

FIG. 3 is a rear elevation view thereof;

FIG. 4 is a left side elevation view thereof;

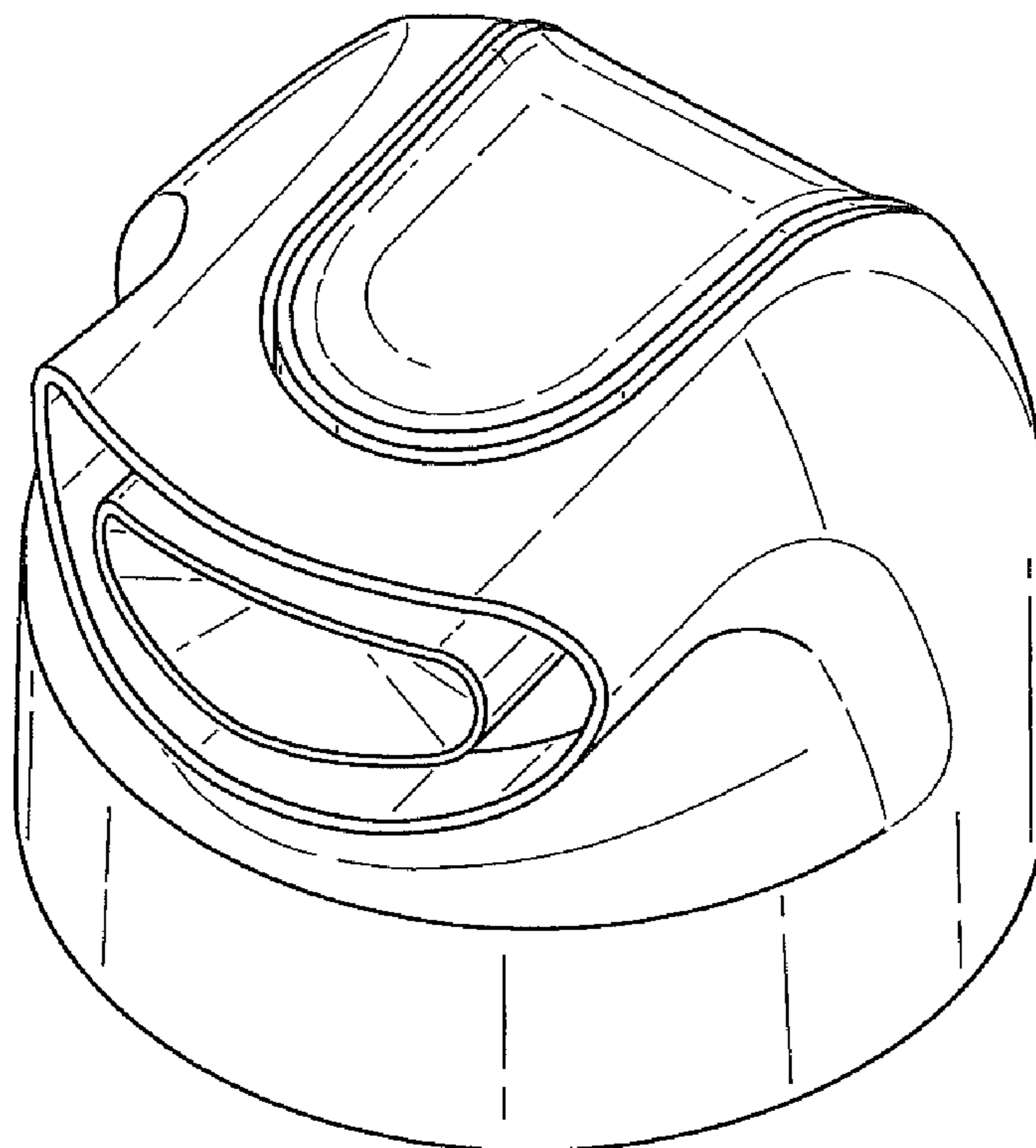
FIG. 5 is right side elevation view thereof;

FIG. 6 is a top plan view thereof; and,

FIG. 7 is a bottom plan view thereof.

The broken lines shown are for illustrative purposes only, and  
form no part of the claimed design.

**1 Claim, 4 Drawing Sheets**



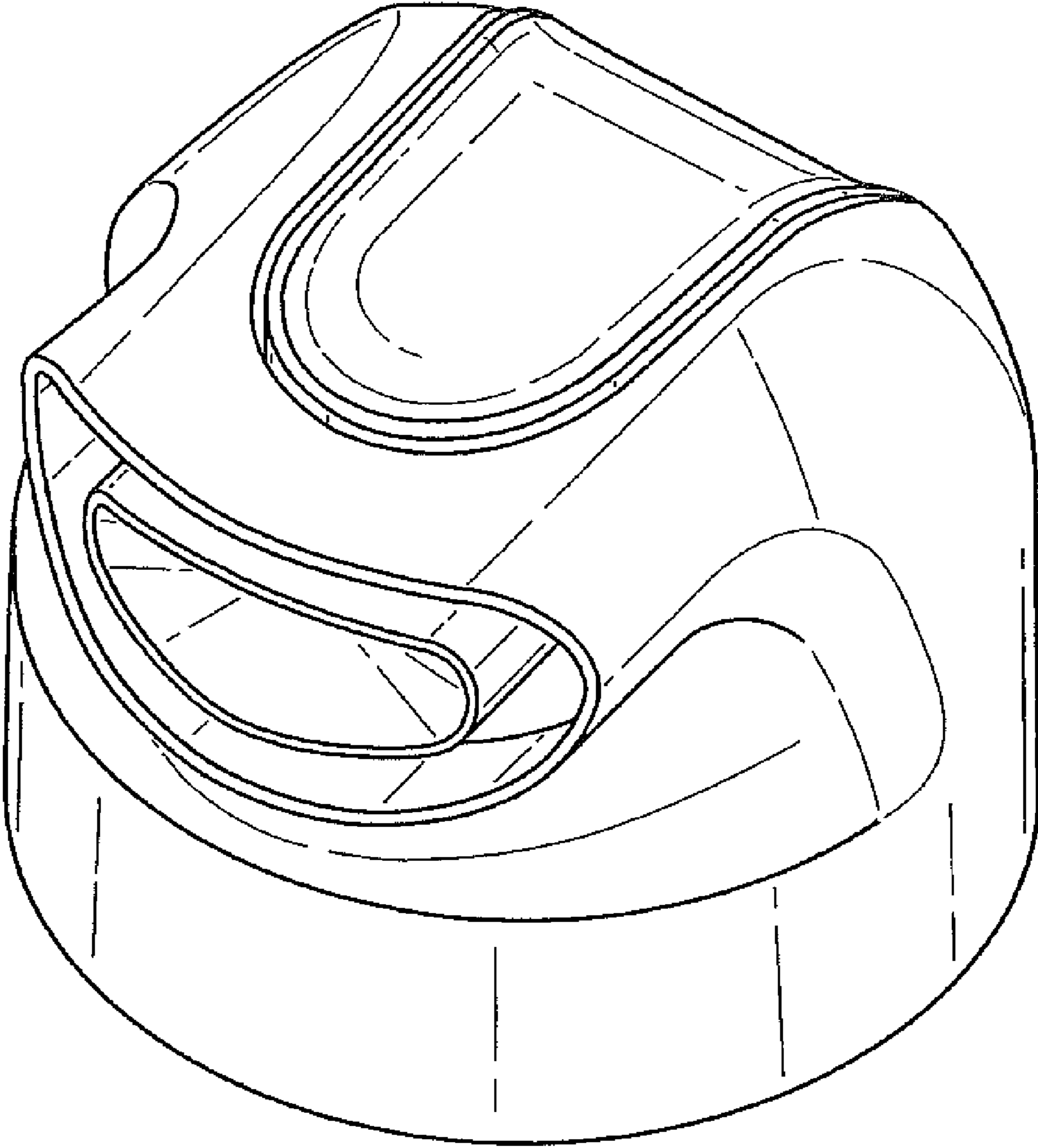


Fig. 1.

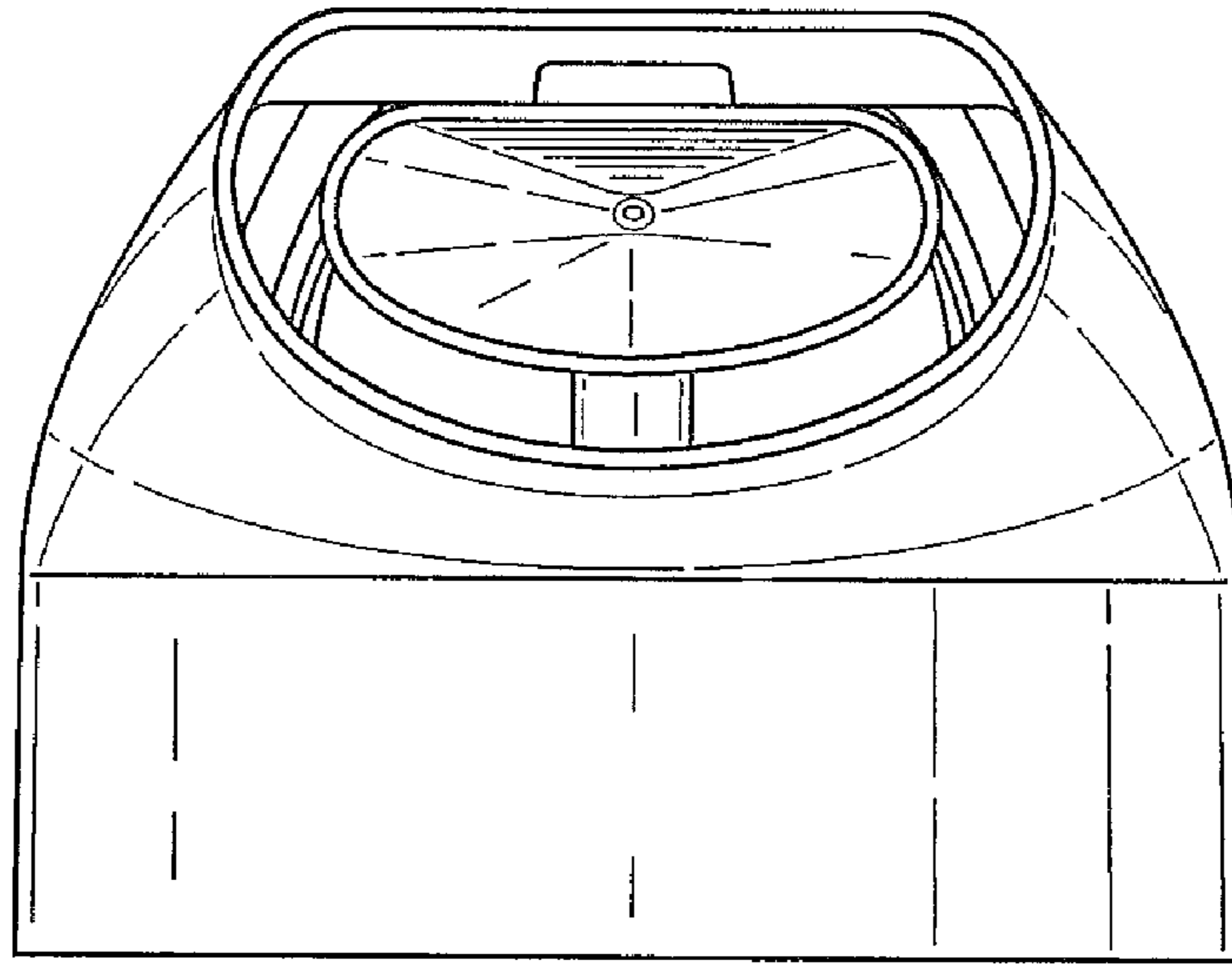


Fig.2.

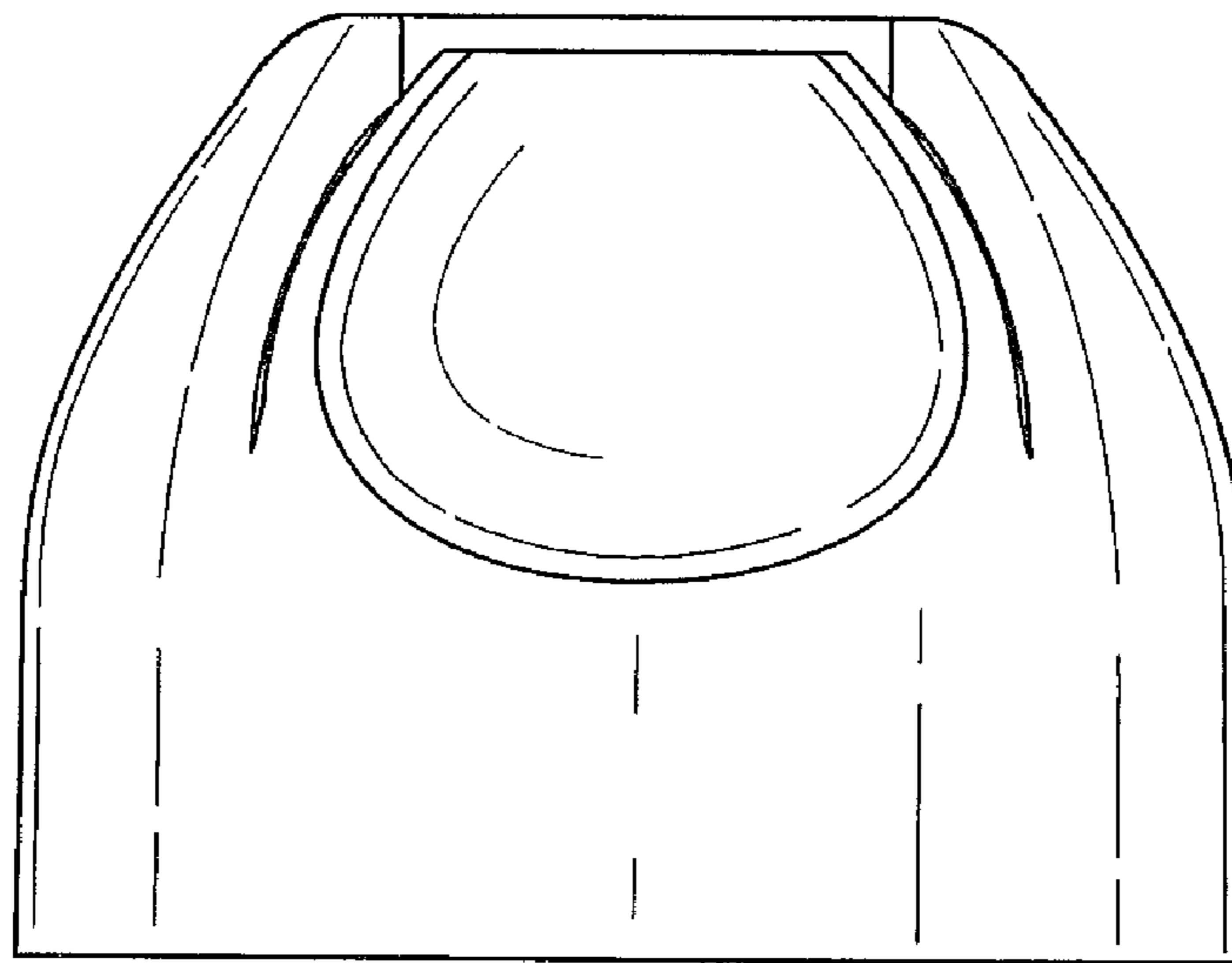


Fig.3.

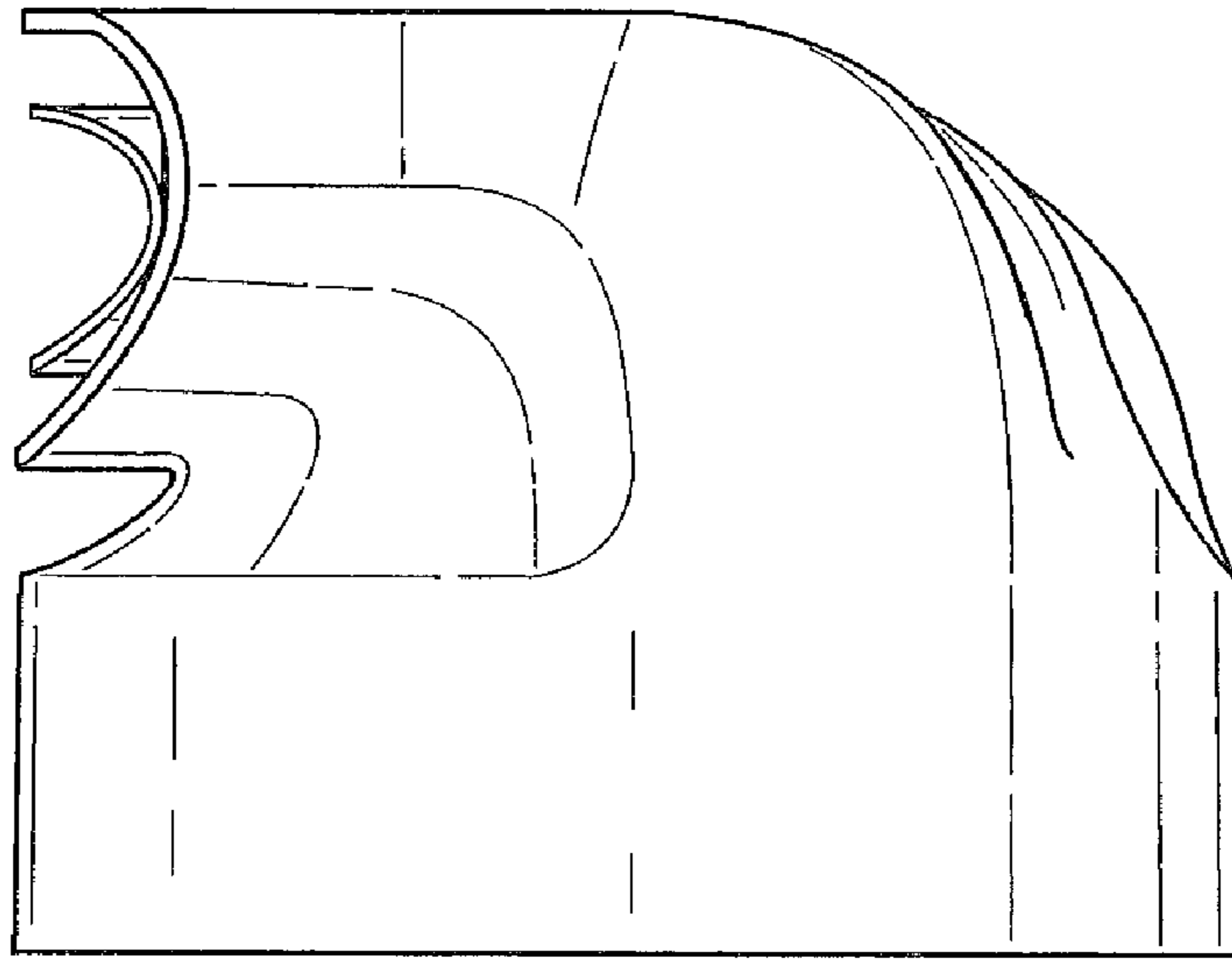


Fig.4.

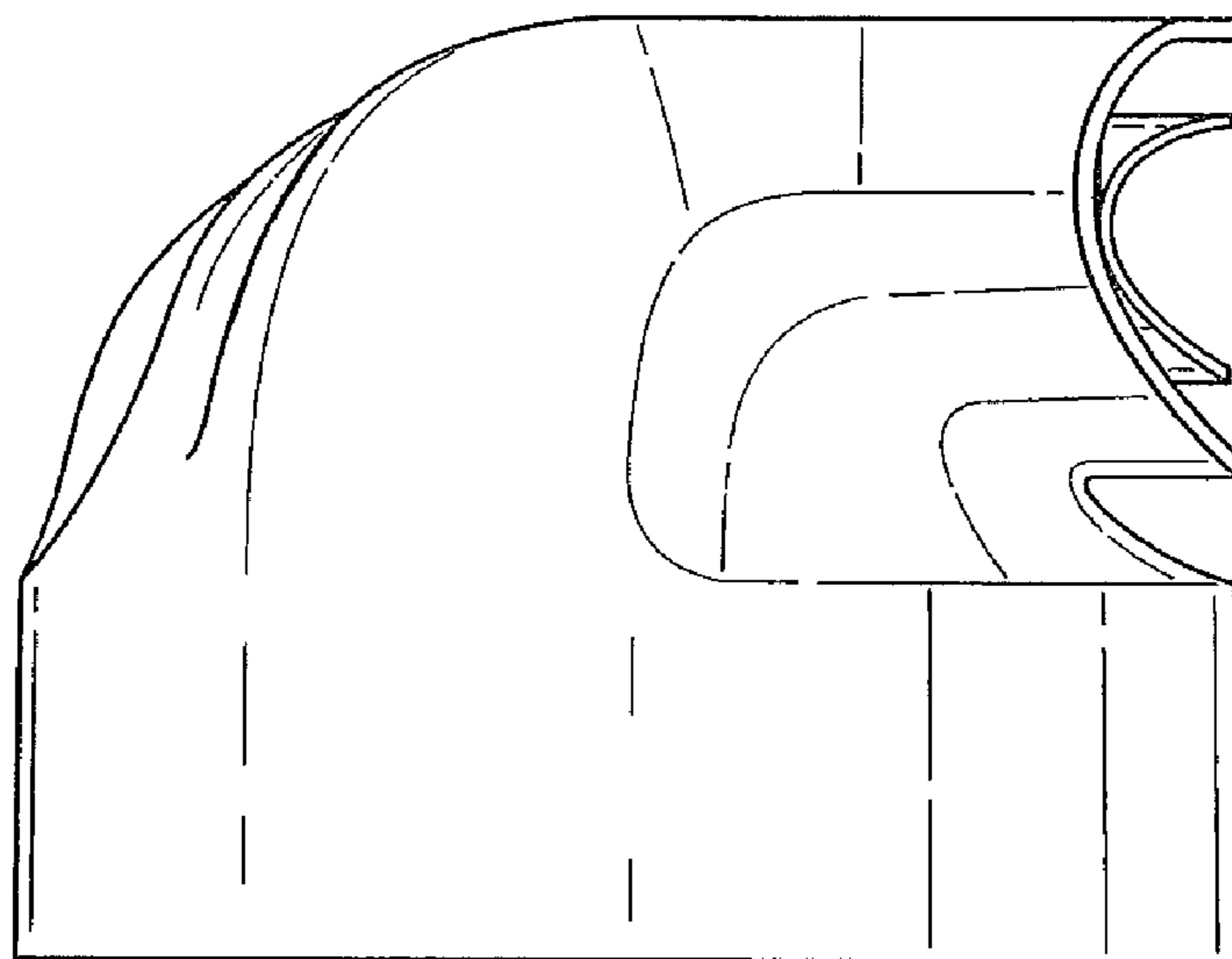


Fig.5.

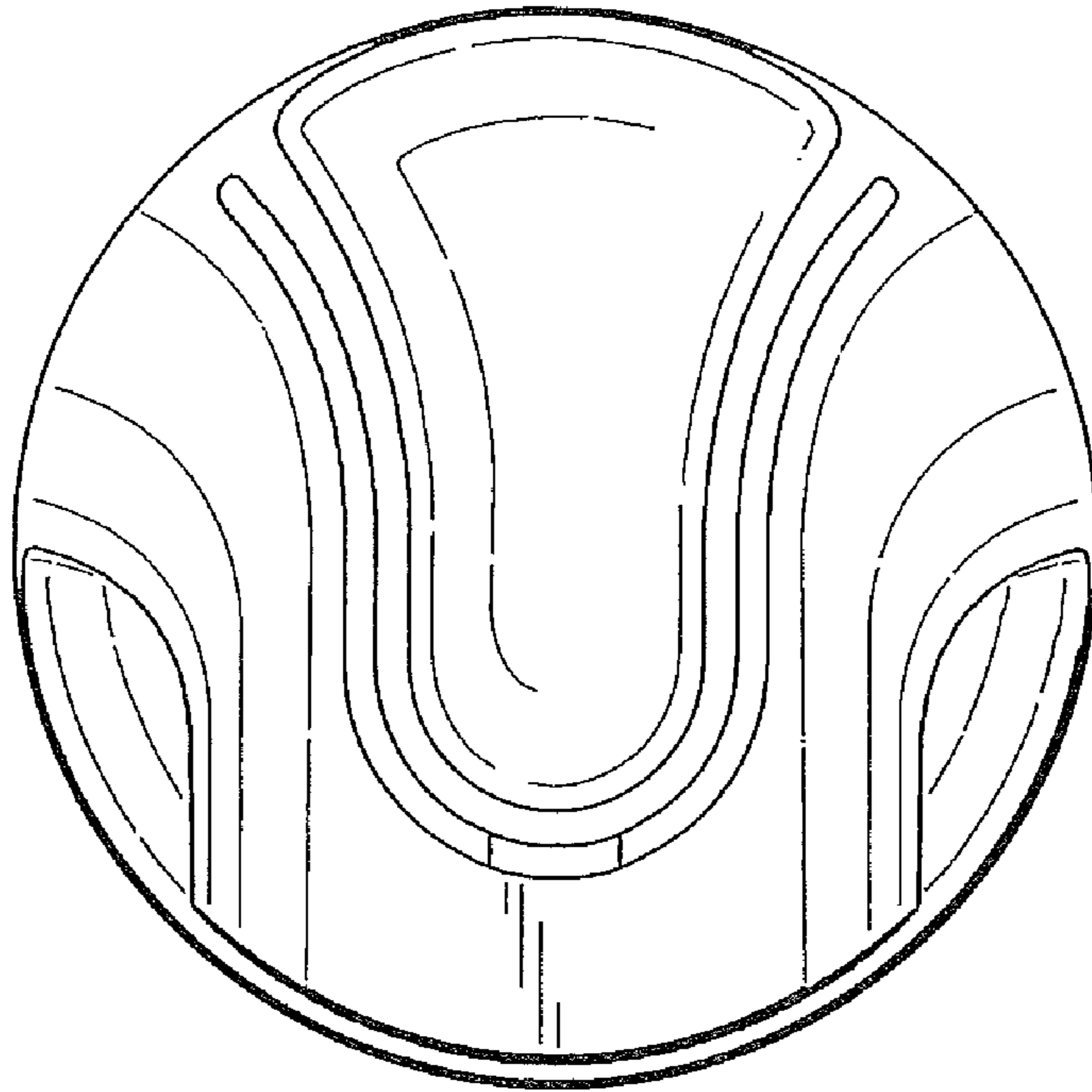


Fig. 6.

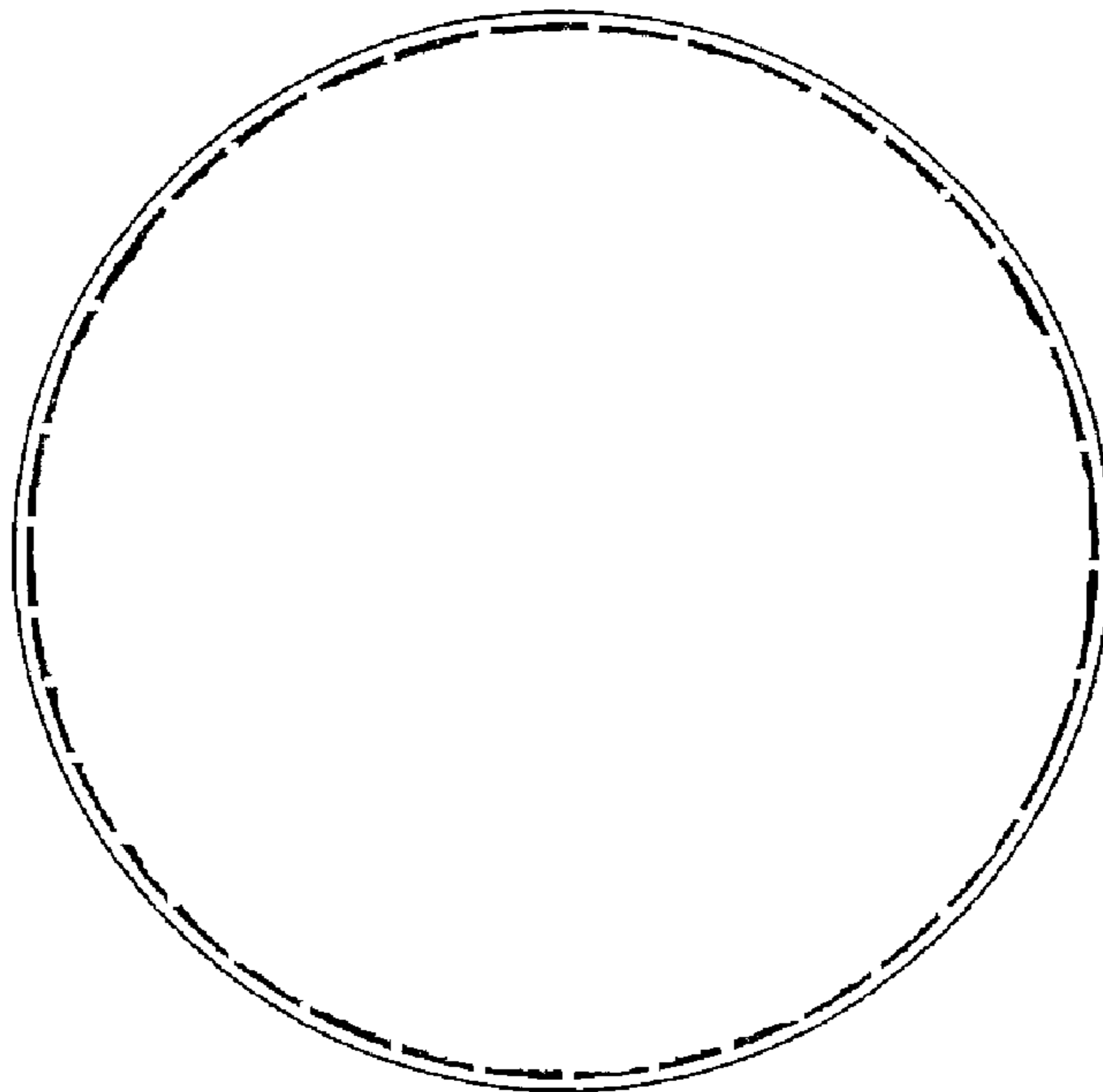


Fig. 7.