



US00D625996S

(12) **United States Design Patent**
Witty

(10) **Patent No.:** **US D625,996 S**

(45) **Date of Patent:** **** Oct. 26, 2010**

(54) **SPRAY DEVICE**

(75) Inventor: **Chris Witty**, Hull (GB)

(73) Assignee: **Reckitt & Colman (Overseas) Limited**,
Slough, Berkshire (GB)

(**) Term: **14 Years**

(21) Appl. No.: **29/354,880**

(22) Filed: **Jan. 29, 2010**

(30) **Foreign Application Priority Data**

Aug. 7, 2009 (EM) 001157853-0006

(51) **LOC (9) Cl.** **09-07**

(52) **U.S. Cl.** **D9/434**; D8/396

(58) **Field of Classification Search** D9/456,
D9/455, 448, 447, 445, 438, 434, 763, 772;
D7/605, 387, 213; D3/211, 207; D23/226;
40/307; 239/333, 331; 222/635, 631, 566,
222/321.9, 621.8, 321.7, 320, 251; 220/915,
220/269, 268, 258.5; D8/373, 394, 395,
D8/396; D32/61; D24/130, 138; 248/558,
248/229.26; 24/562

See application file for complete search history.

(56) **References Cited**

U.S. PATENT DOCUMENTS

- D19,719 S * 3/1890 Lee D8/395
- D35,442 S * 12/1901 Smith D32/61
- 1,329,816 A * 2/1920 Winslow 248/558
- 1,891,099 A * 12/1932 Land 248/229.26
- D136,737 S * 11/1943 Woock D32/61
- D137,974 S * 5/1944 Kneedler D32/61
- D138,379 S * 7/1944 Most D32/61
- D140,634 S * 3/1945 Balmer D32/61
- D153,047 S * 3/1949 Tegarty D32/61
- D199,310 S * 10/1964 Ruzzoto D32/61
- D200,902 S * 4/1965 Potter D32/61
- D207,844 S * 6/1967 Goldman D32/61
- D240,681 S * 7/1976 Granatelli D6/526
- D241,314 S * 9/1976 Hug D8/395

- D269,155 S * 5/1983 Rose D8/356
- 4,434,535 A * 3/1984 Woodley 24/562
- D291,728 S * 9/1987 Hoyt D24/130
- D306,553 S * 3/1990 Rumpel D8/395
- D361,506 S * 8/1995 Rumpel D8/395
- D363,211 S * 10/1995 Noble D8/395
- D389,050 S * 1/1998 Li D8/395
- D417,612 S * 12/1999 Jones D8/395
- D470,937 S * 2/2003 Gary et al. D24/138
- D476,881 S * 7/2003 Niwa D8/395
- D516,402 S * 3/2006 Gates et al. D8/71
- D553,203 S * 10/2007 Glickman et al. D21/487

(Continued)

Primary Examiner—Susan Bennett Hattan
(74) *Attorney, Agent, or Firm*—Norris McLaughlin &
Marcus, PA

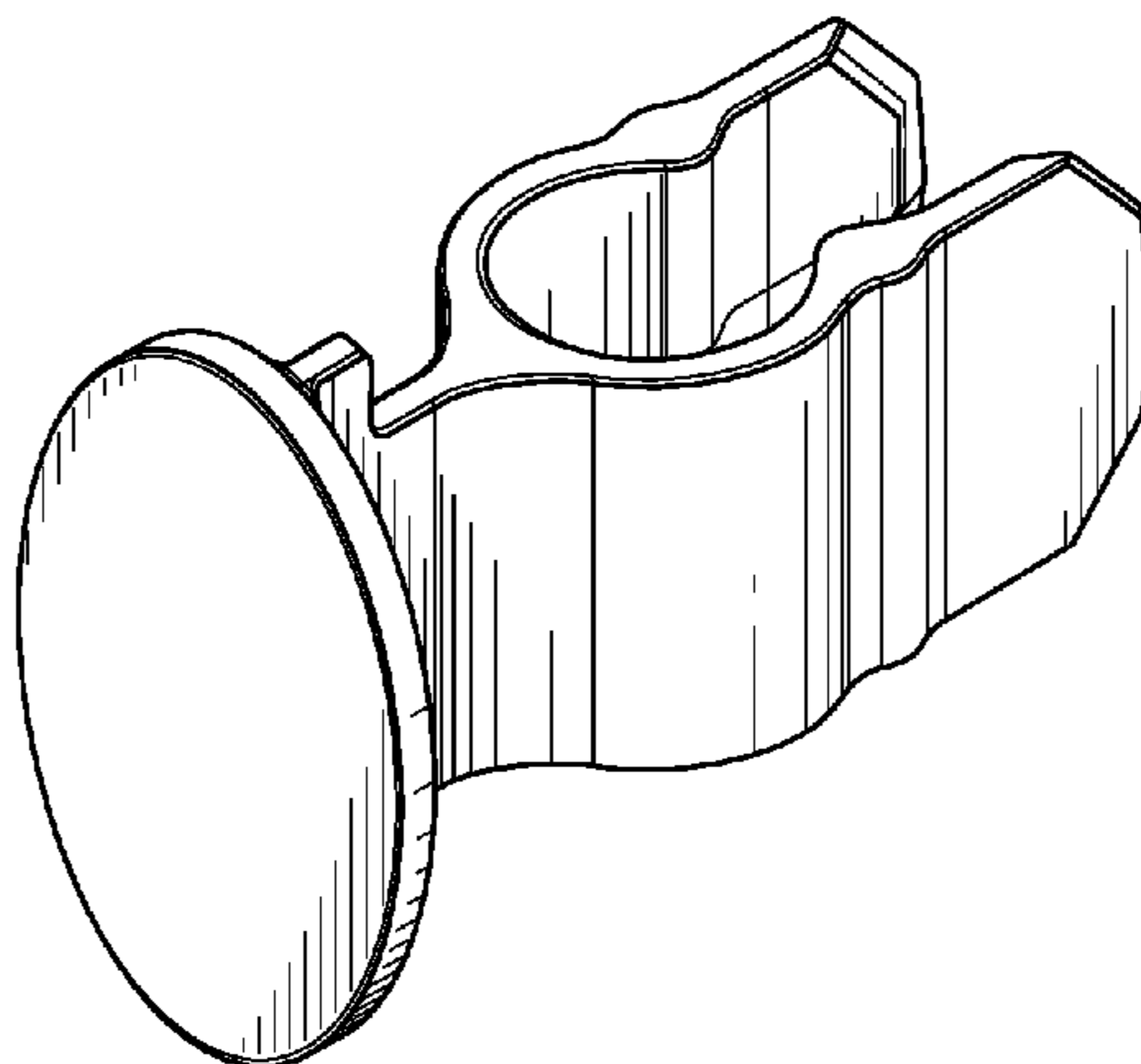
(57) **CLAIM**

The ornamental design for a spray device, as shown and described.

DESCRIPTION

- FIG. 1 is a perspective view of the top, front and a side of my spray device;
- FIG. 2 is a plan view of the front of my spray device;
- FIG. 3 is a plan view of the back of my spray device;
- FIG. 4 is a plan view of a side of my spray device;
- FIG. 5 is a plan view of another side of my spray device;
- FIG. 6 is a plan view of the top of my spray device; and,
- FIG. 7 is a plan view of the bottom of my spray device.

1 Claim, 2 Drawing Sheets



US D625,996 S

Page 2

U.S. PATENT DOCUMENTS

D560,483 S *	1/2008	Mercier	D8/395	
D586,649 S *	2/2009	Fleischman	D8/396	* cited by examiner
				D605,028 S * 12/2009 Forest et al. D8/373

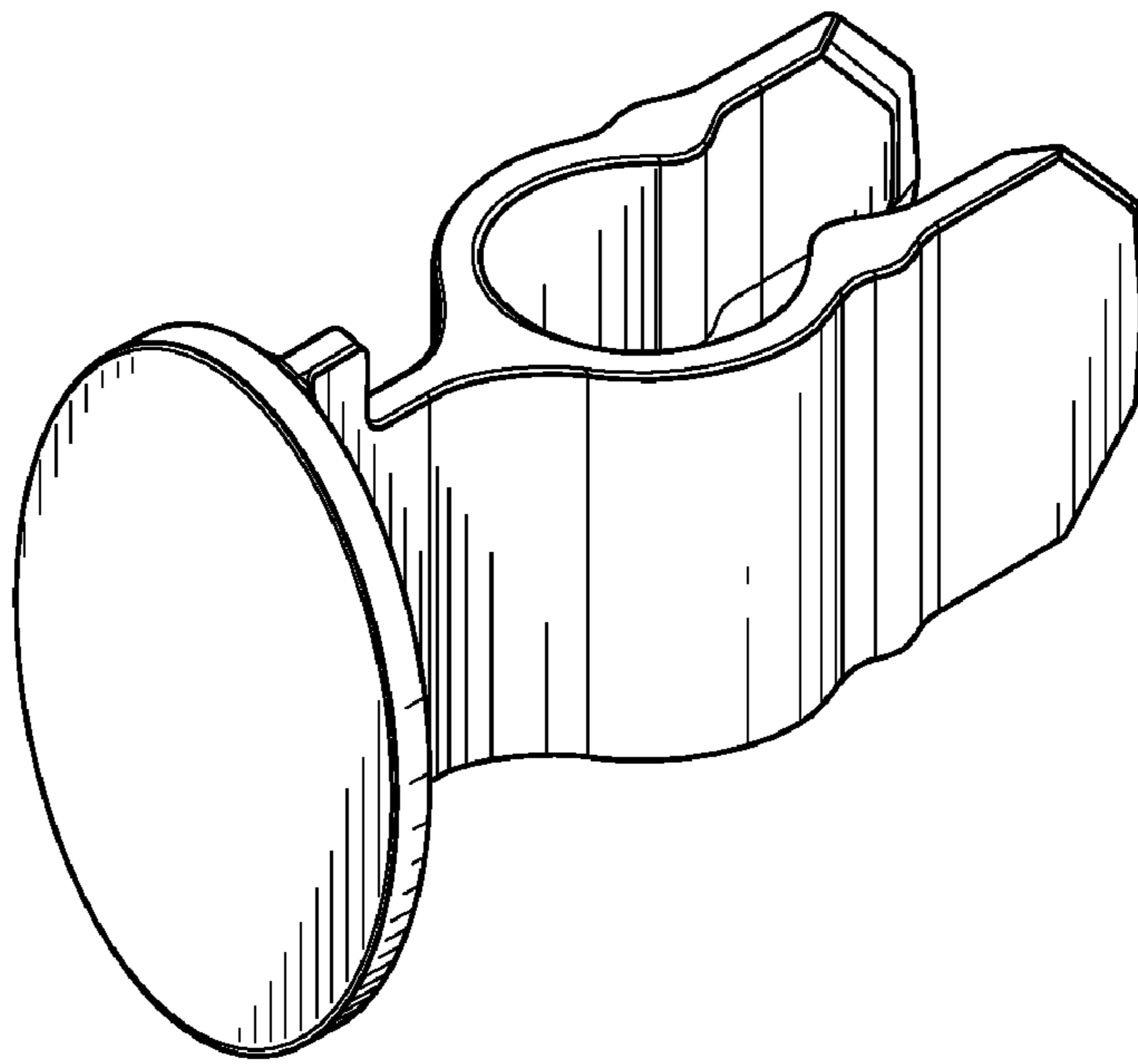


Fig. 1

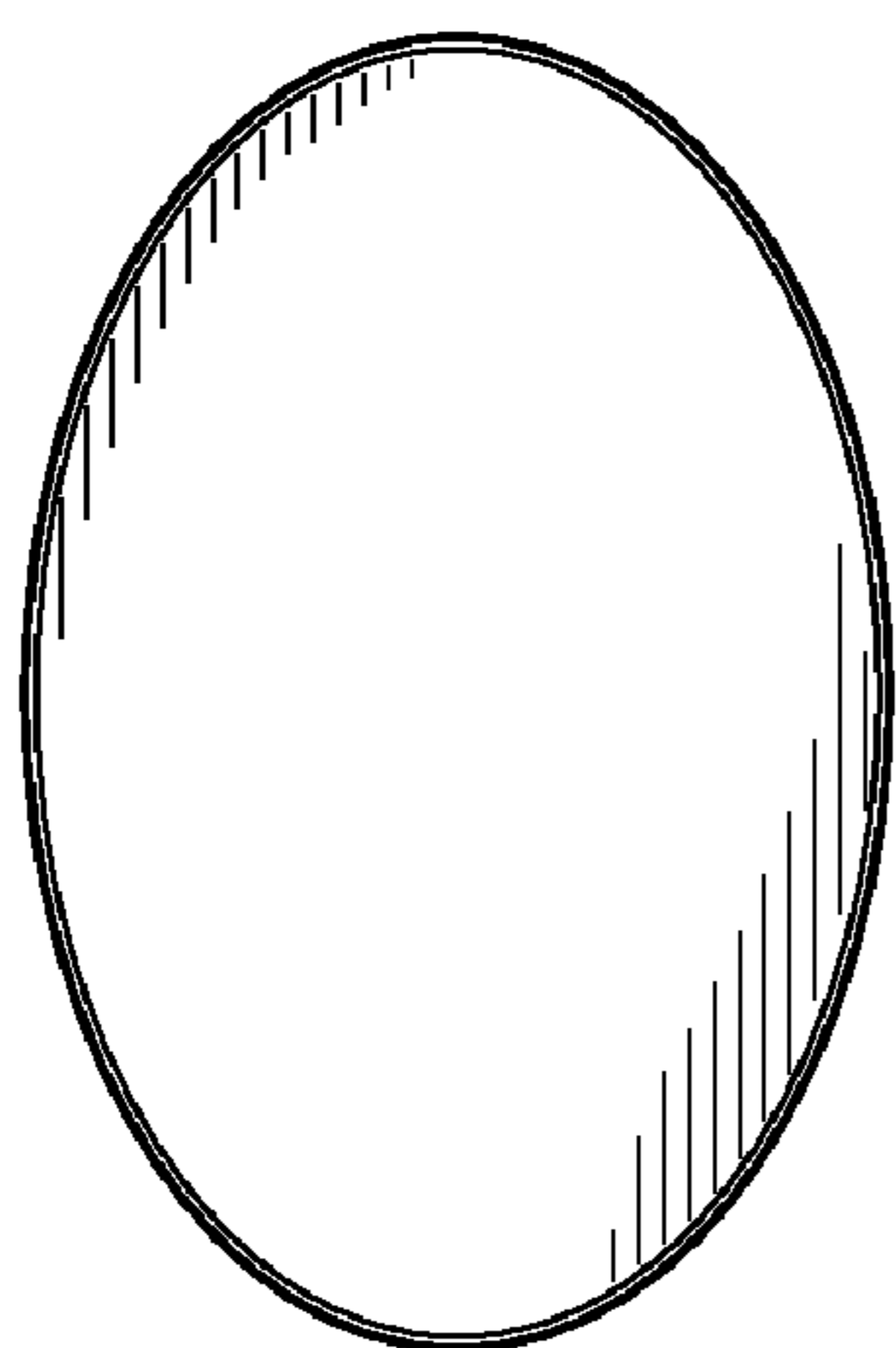


Fig. 2

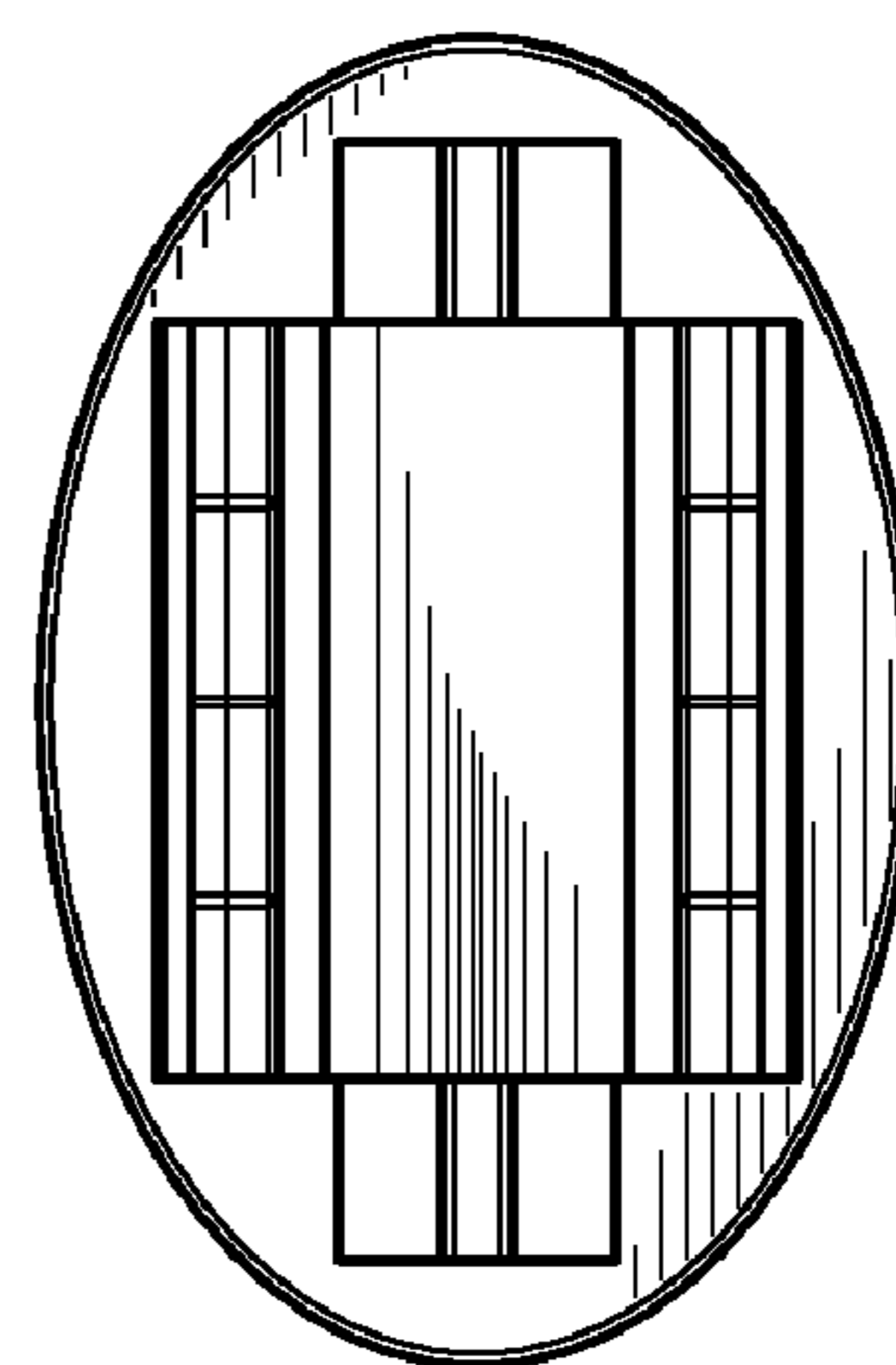


Fig. 3

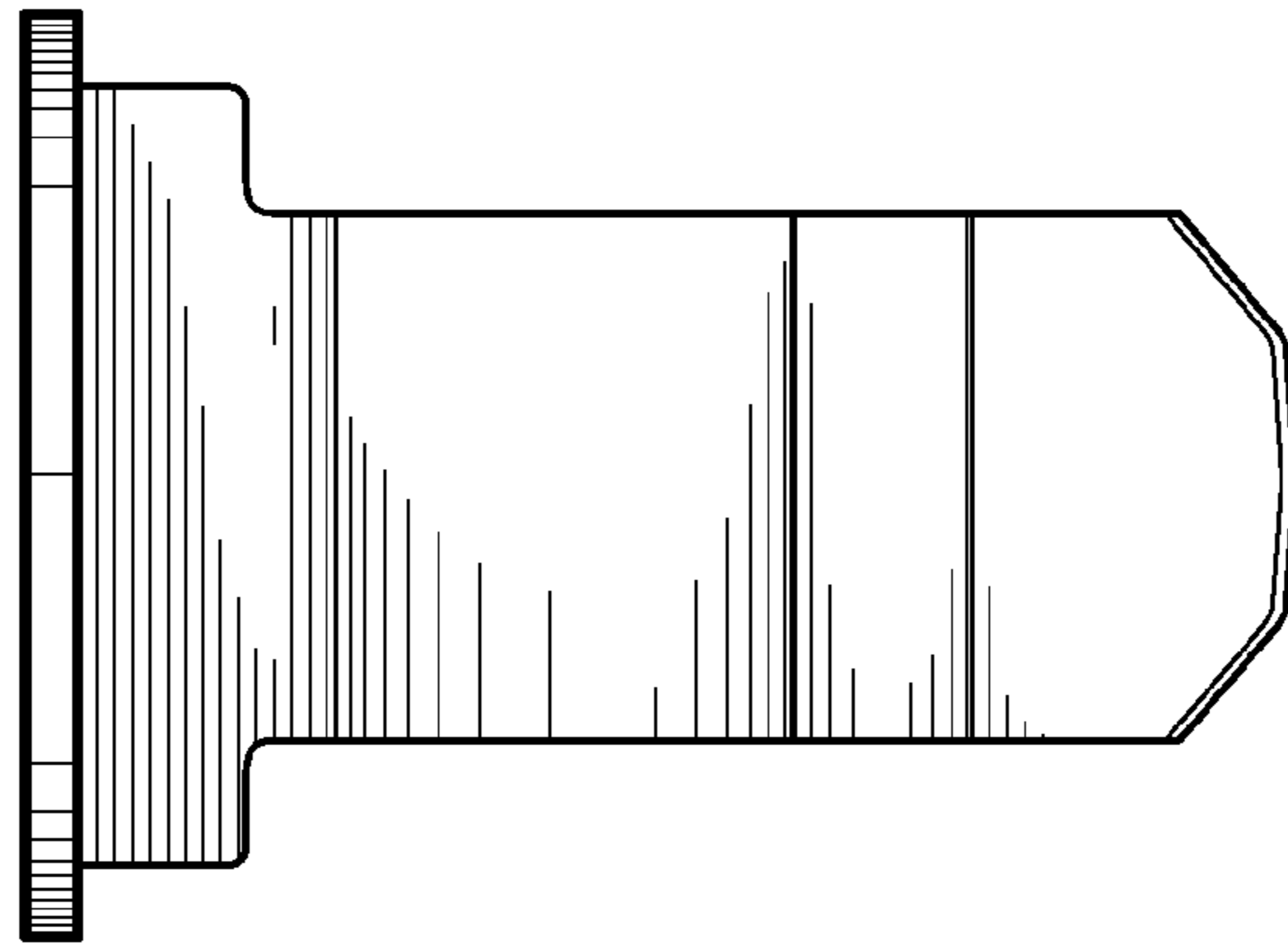


Fig.4

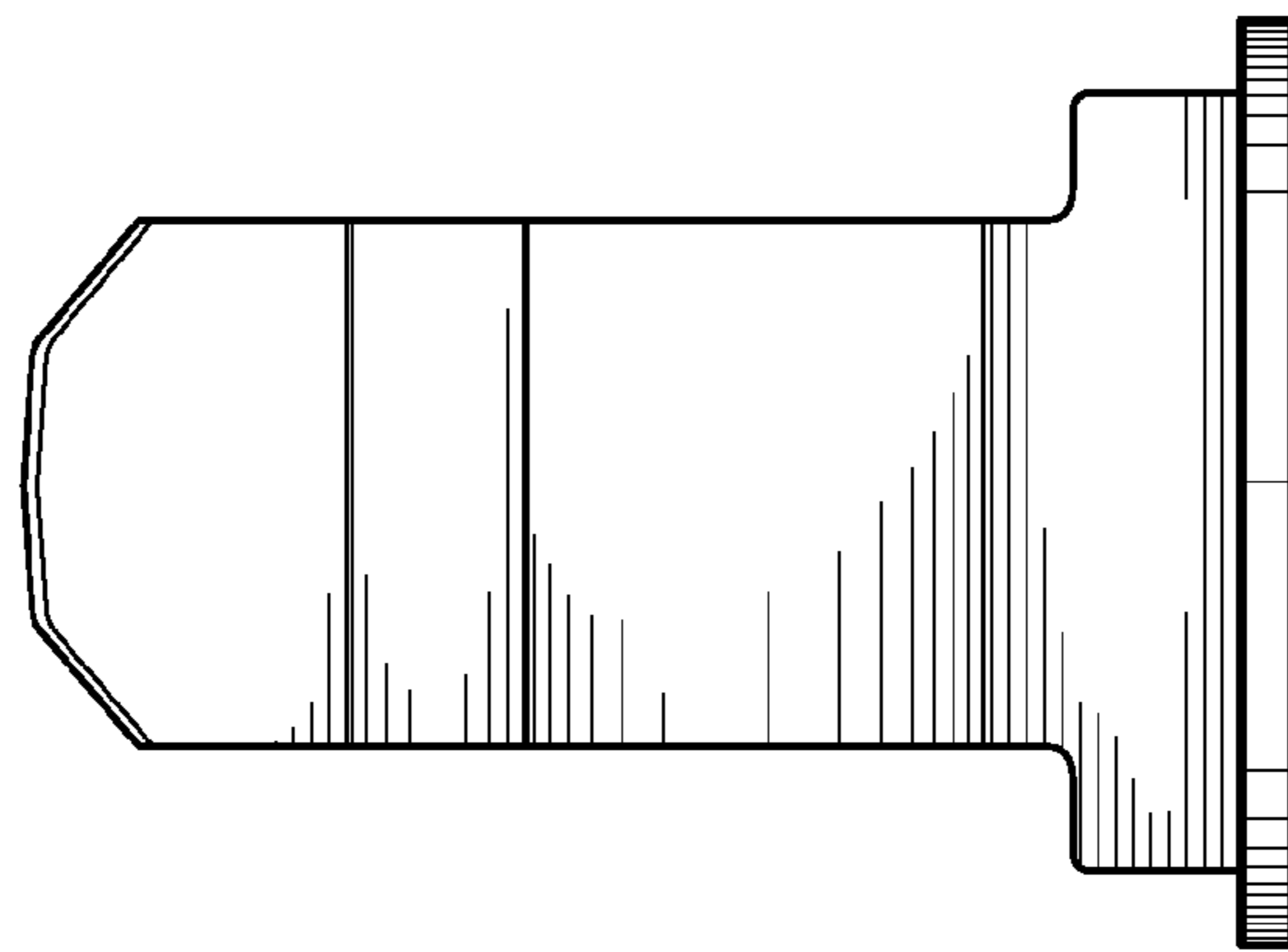


Fig.5

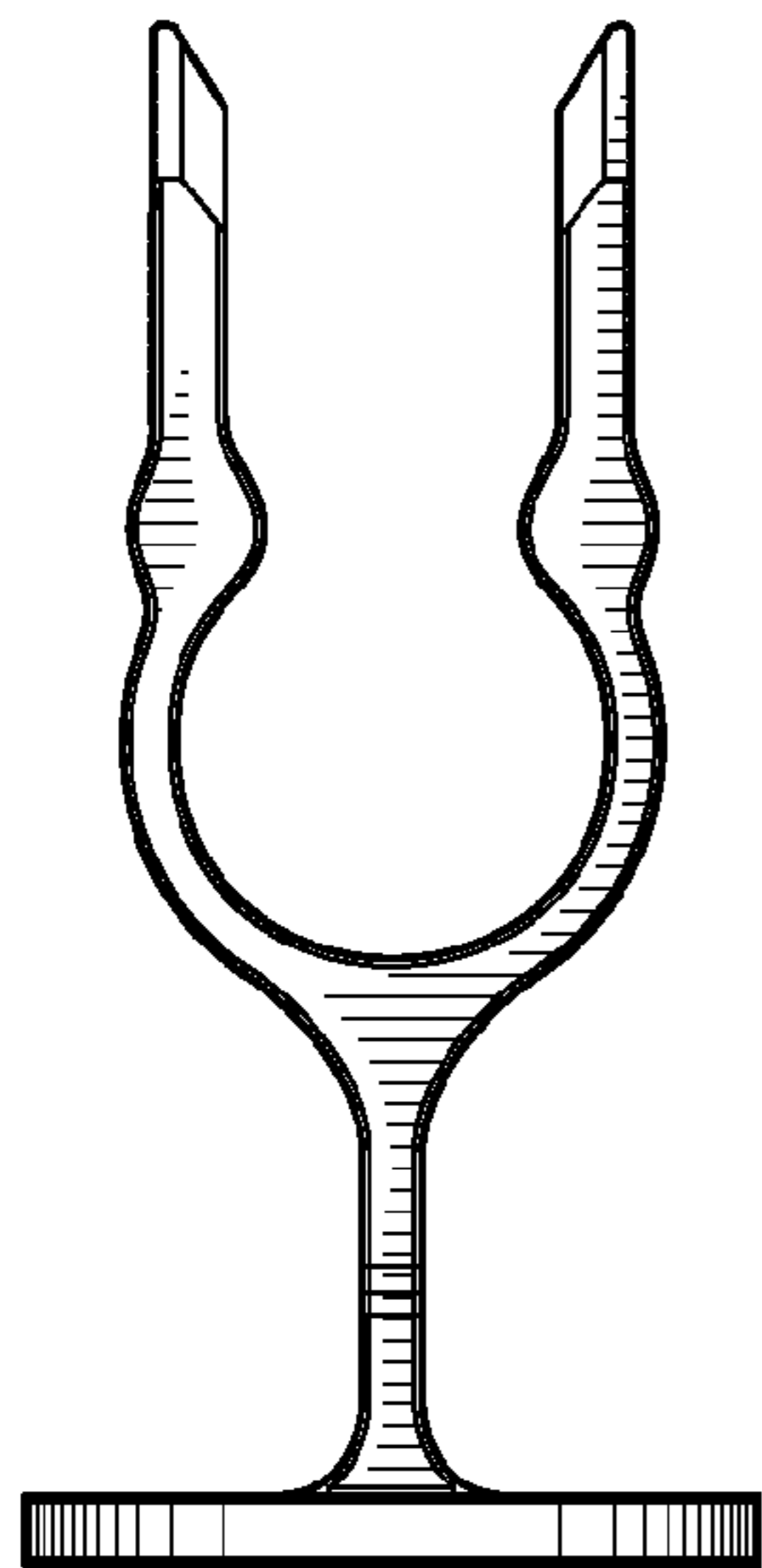


Fig.6

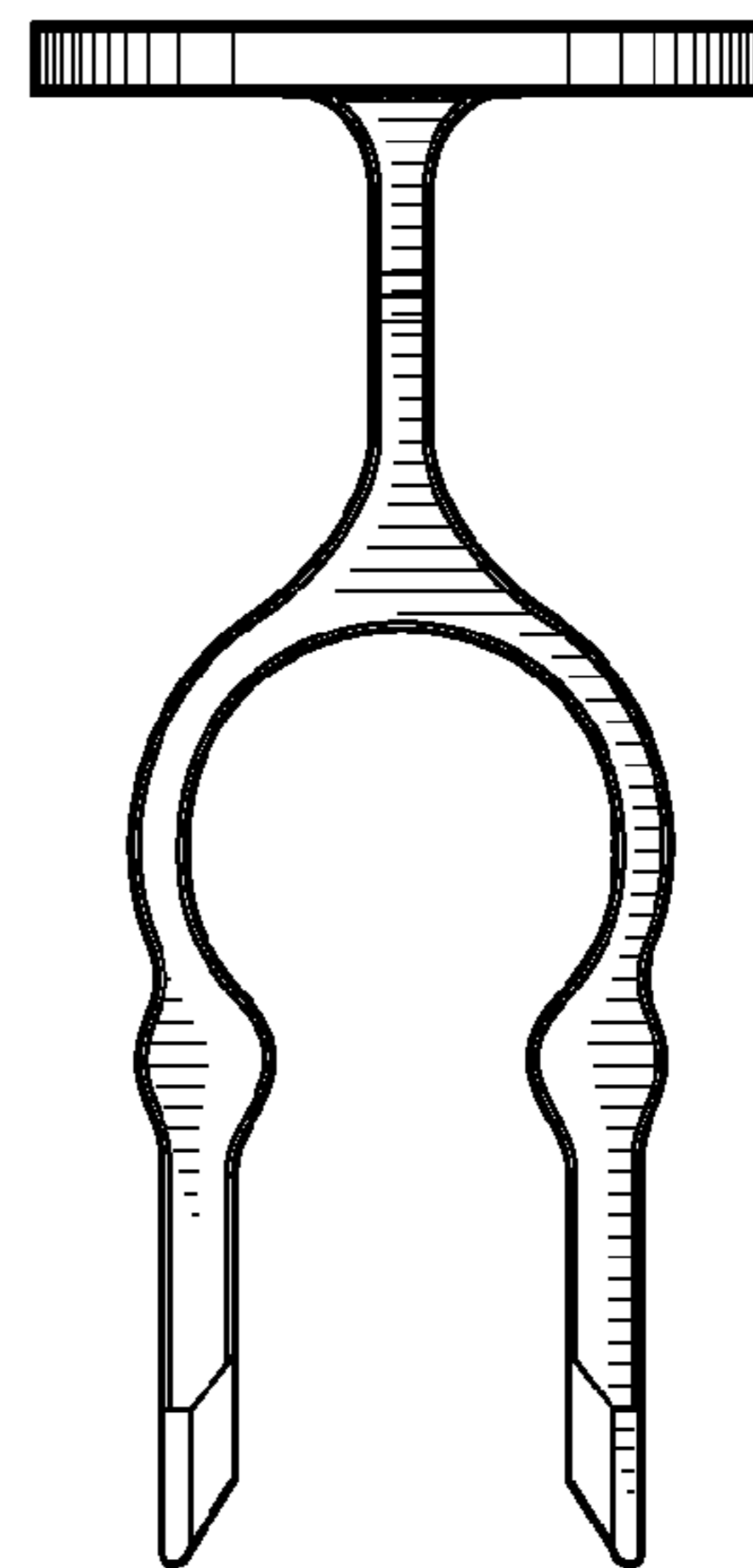


Fig.7