



US00D625995S

(12) **United States Design Patent**  
**Vovan et al.**

(10) **Patent No.:** **US D625,995 S**  
(45) **Date of Patent:** **\*\* Oct. 26, 2010**

(54) **DIAGONALLY HINGED CONTAINER**

(75) Inventors: **Terry Vovan**, Upland, CA (US); **Jimmy Pho**, Los Angeles, CA (US)

(73) Assignee: **PWP Industries California Corporation**, Vernon, CA (US)

(\*\*) Term: **14 Years**

(21) Appl. No.: **29/314,444**

(22) Filed: **Apr. 1, 2009**

**Related U.S. Application Data**

(63) Continuation-in-part of application No. 12/038,765, filed on Feb. 27, 2008.

(51) **LOC (9) Cl.** ..... **09-03**

(52) **U.S. Cl.** ..... **D9/429**

(58) **Field of Classification Search** ..... D9/414, D9/418, 420, 423, 424, 425, 426, 429, 431, D9/432; D7/602, 629; 206/541, 815; 220/315, 220/324; 229/406, 407, 902  
See application file for complete search history.

(56) **References Cited**

**U.S. PATENT DOCUMENTS**

3,937,389 A \* 2/1976 Wind ..... 229/406  
D349,050 S \* 7/1994 Krupa ..... D9/425

D388,324 S \* 12/1997 Bonnard ..... D9/424  
D571,654 S \* 6/2008 Maroofian et al. .... D9/420  
D602,352 S \* 10/2009 Pendergrass et al. .... D9/424  
2009/0211941 A1 \* 8/2009 Maroofian et al. .... 206/776

\* cited by examiner

*Primary Examiner*—Daniel D Bui

*Assistant Examiner*—Thomas J Johannes

(74) *Attorney, Agent, or Firm*—Baker Botts LLP

(57) **CLAIM**

The ornamental design for diagonally hinged container, as shown and described.

**DESCRIPTION**

FIG. 1 is top isometric view of a diagonally hinged container, showing our new design in an open position.

FIG. 2 is a view similar to FIG. 1, in a closed position.

FIG. 3 is a top view thereof in a closed position.

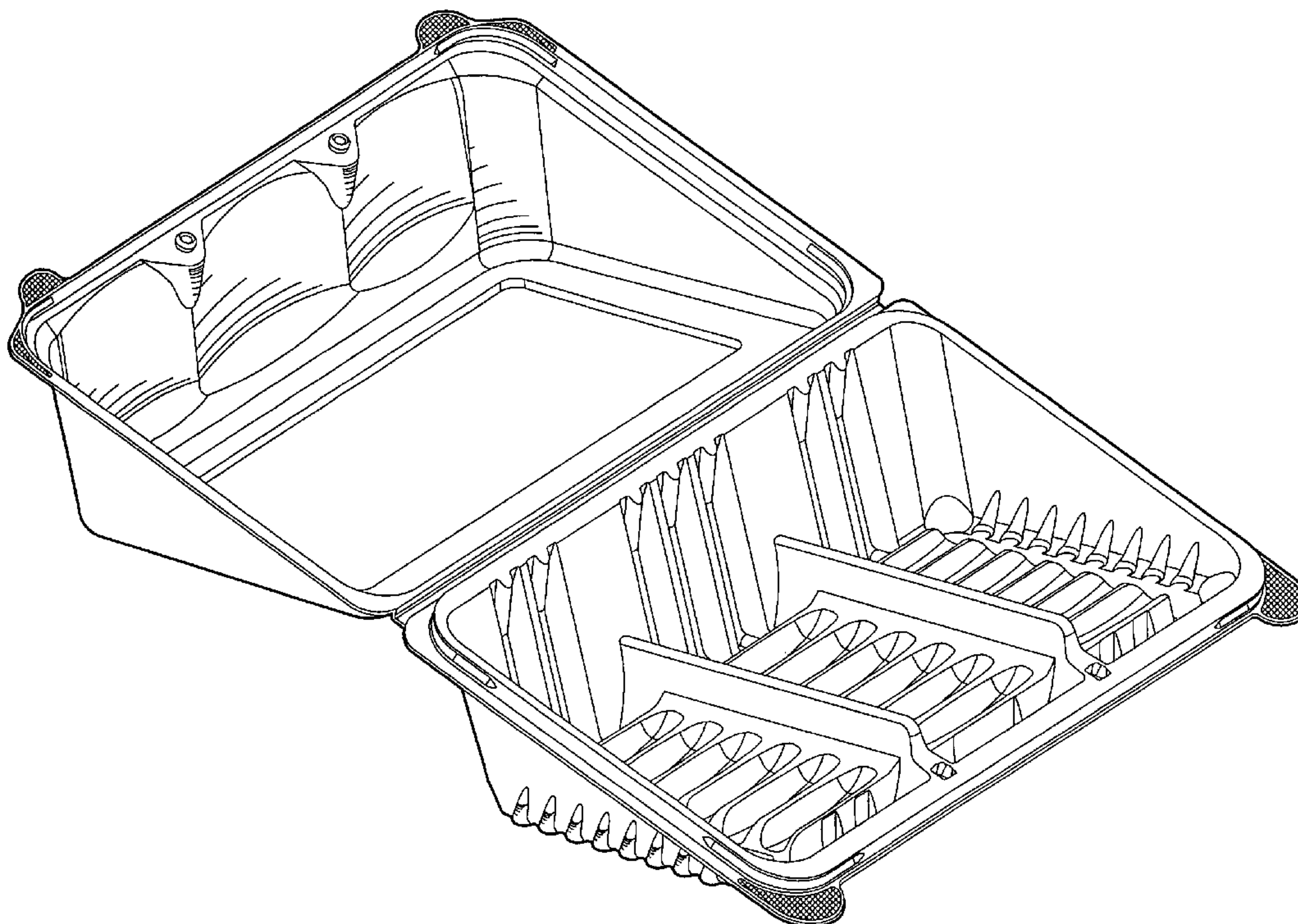
FIG. 4 is a bottom view thereof in a closed position.

FIG. 5 is a front elevation view thereof in a closed position.

FIG. 6 is a right side elevation view thereof in a closed position, the left side elevation view in a closed position being identical thereof; and,

FIG. 7 is a rear elevation view thereof in a closed position.

**1 Claim, 7 Drawing Sheets**



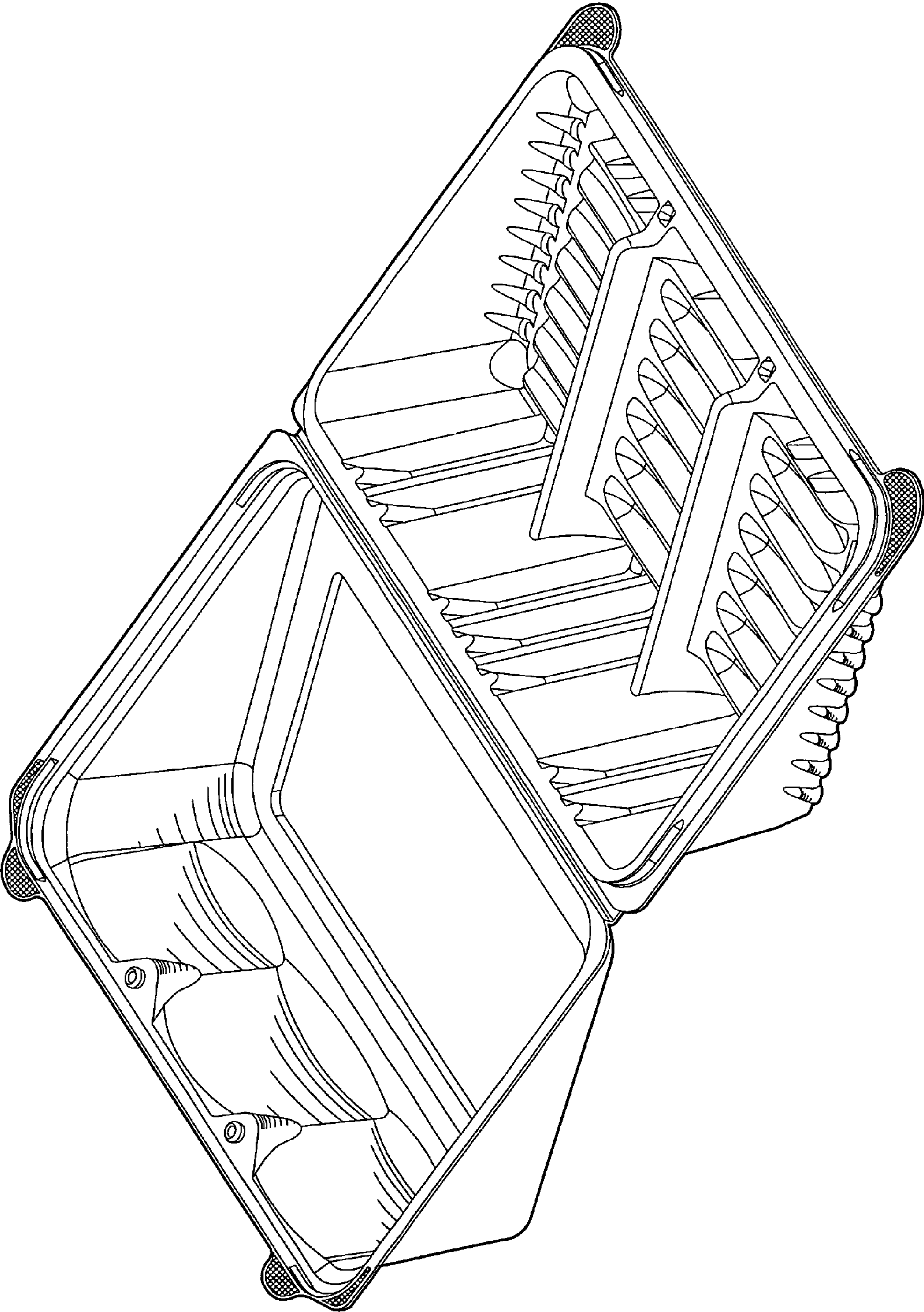


FIG. 1



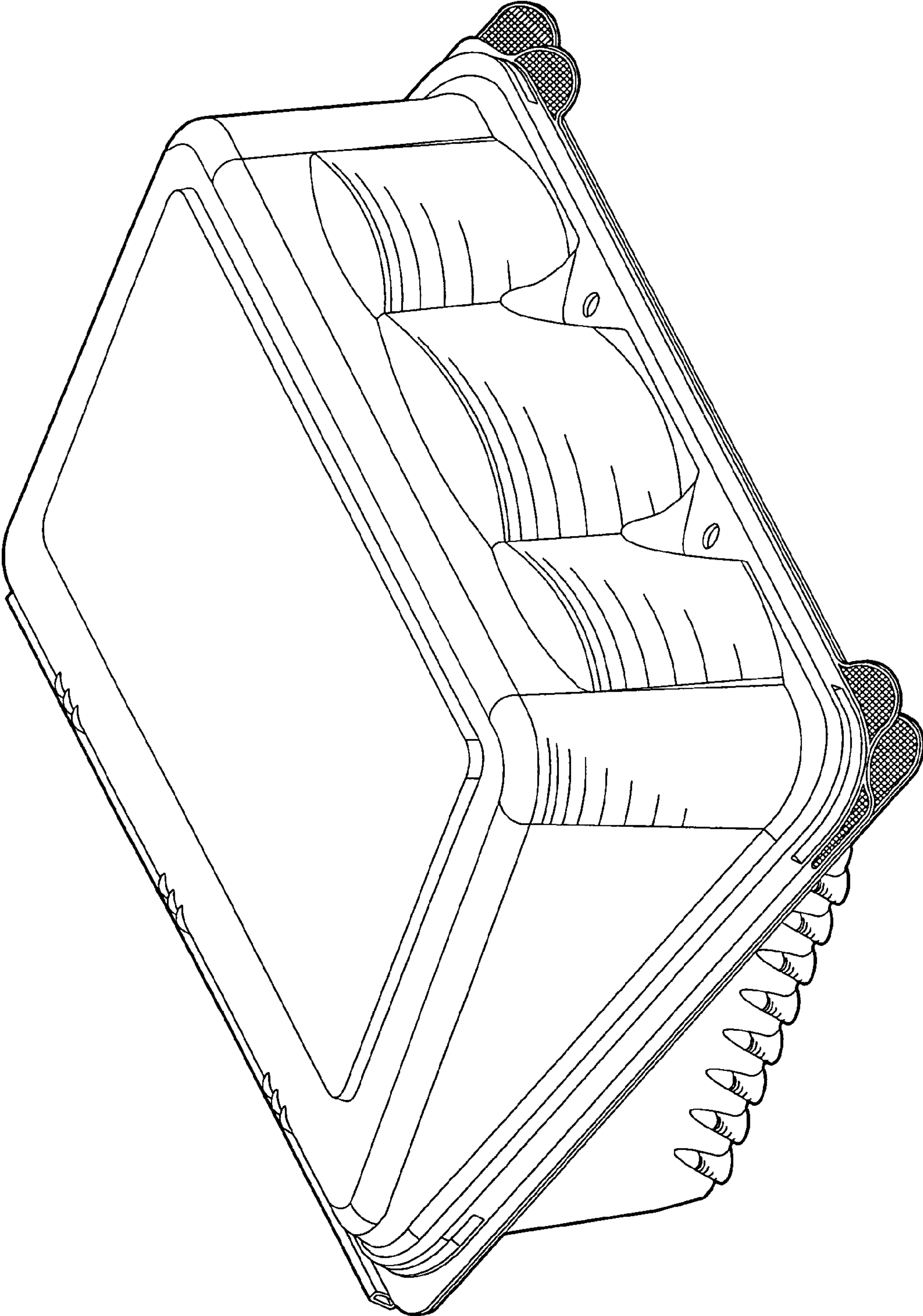


FIG. 2

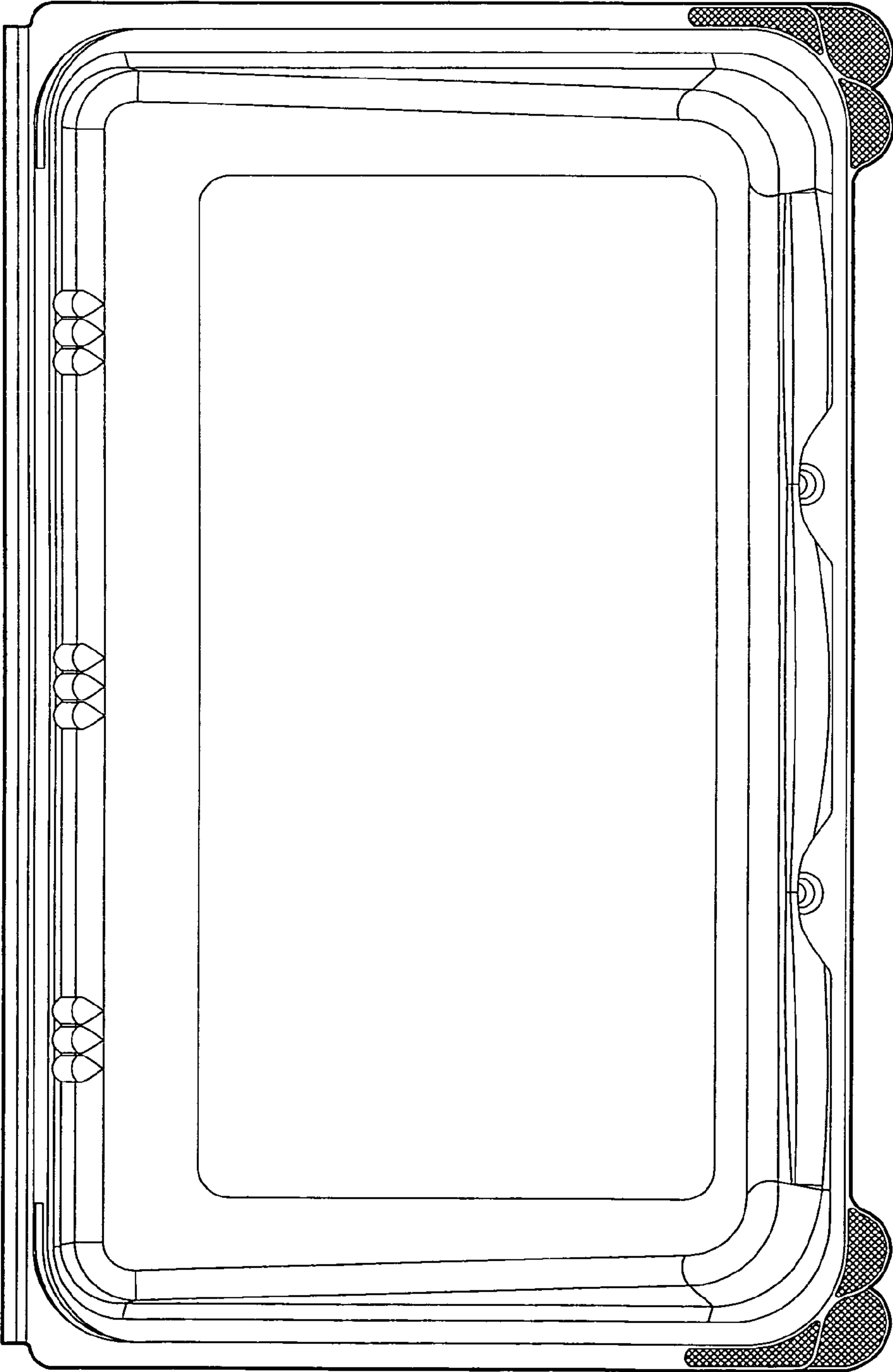


FIG. 3

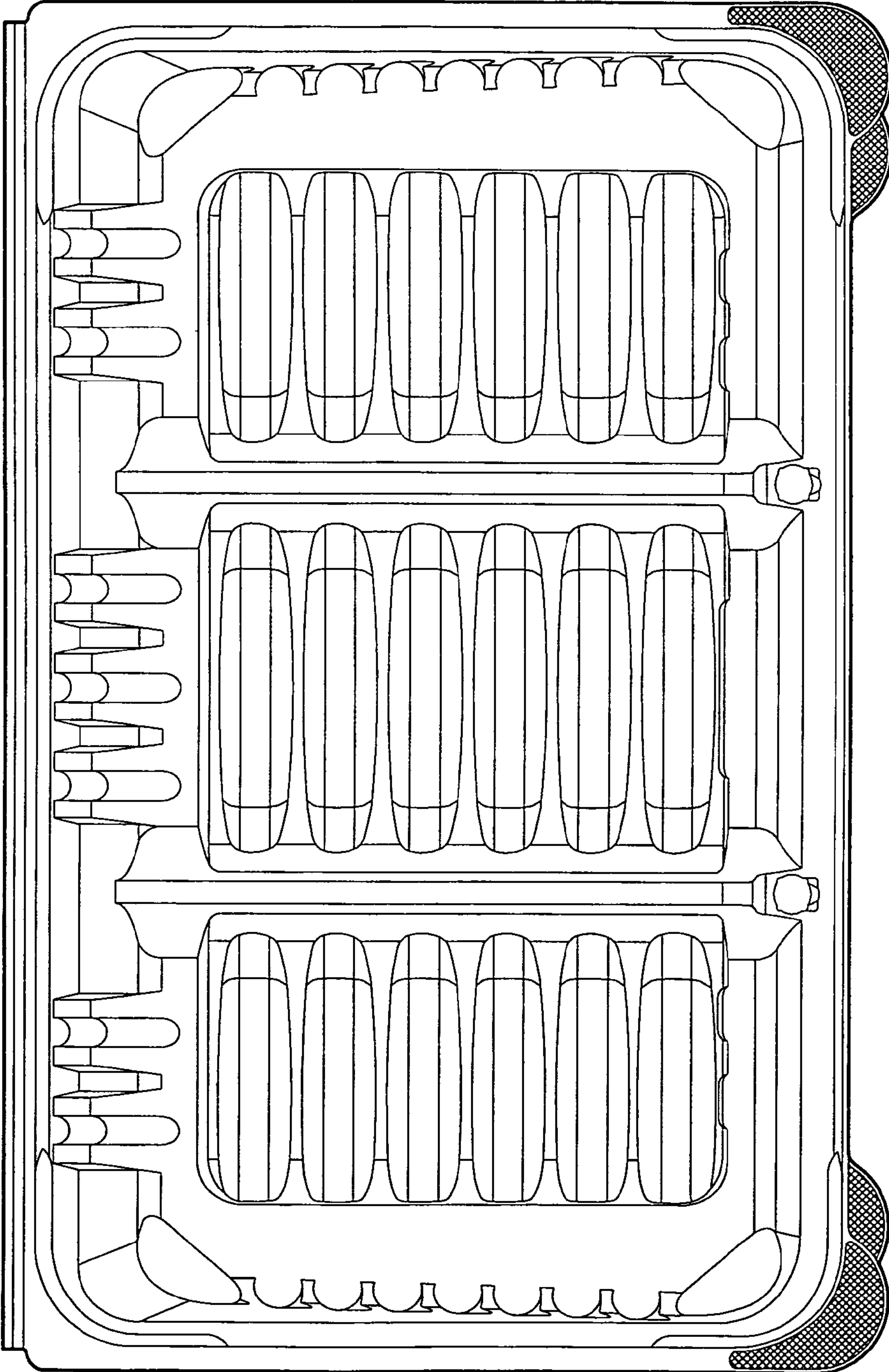


FIG. 4

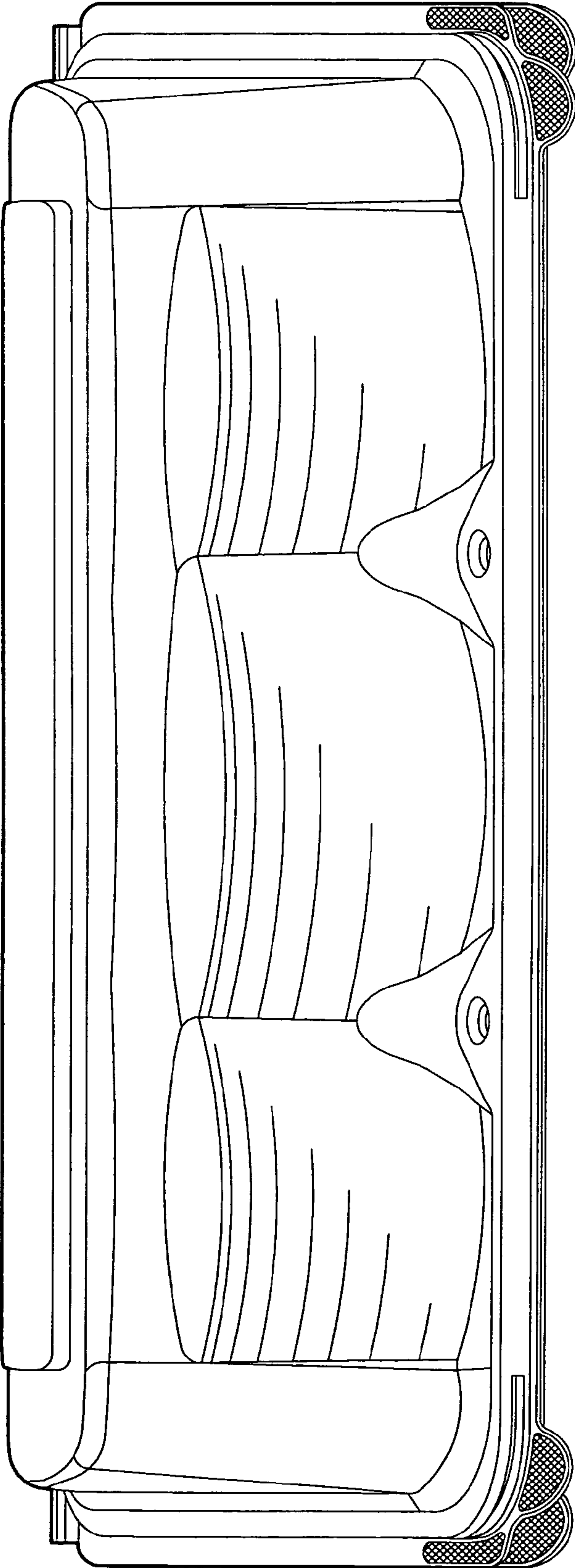


FIG. 5

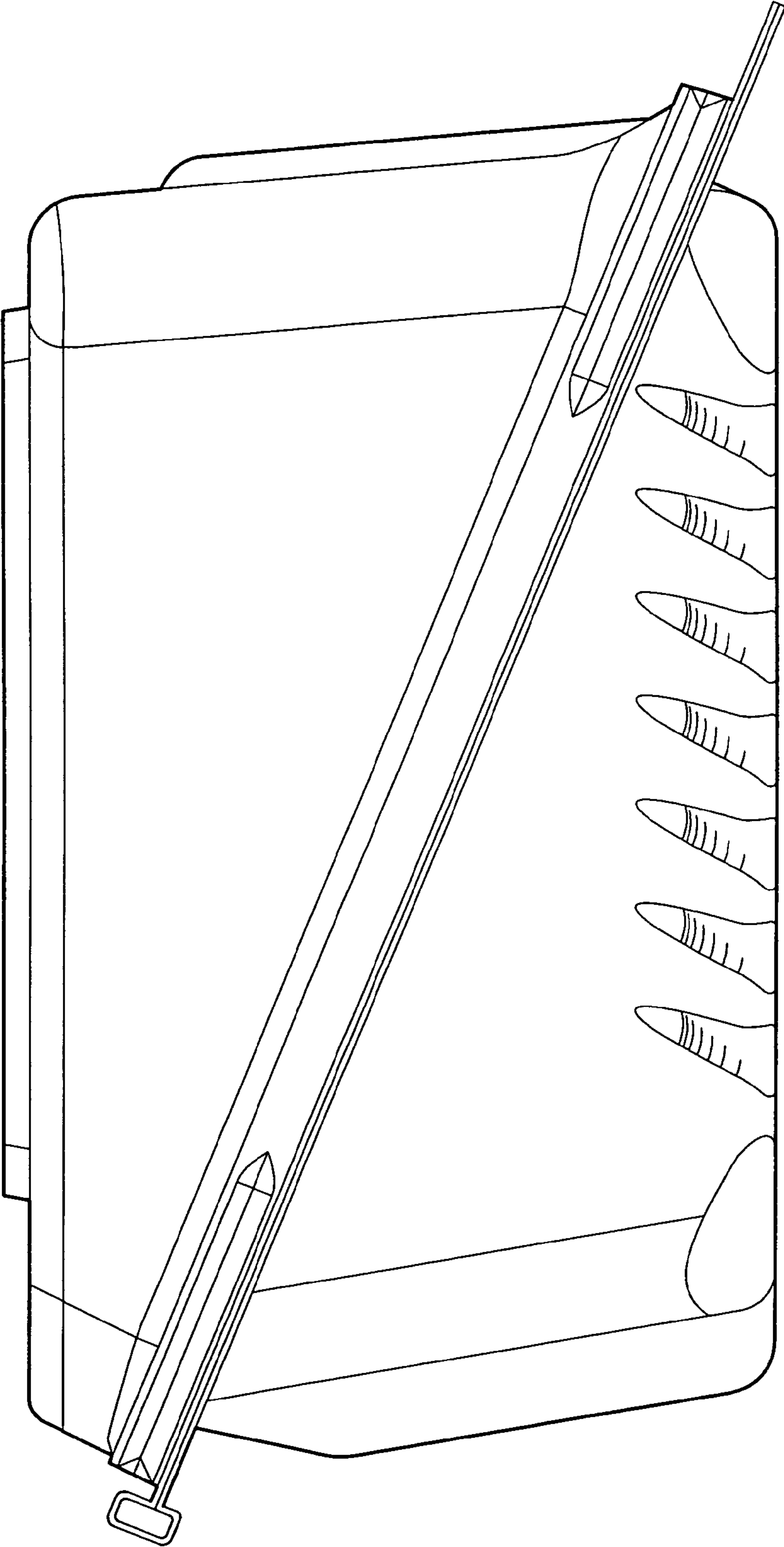


FIG. 6



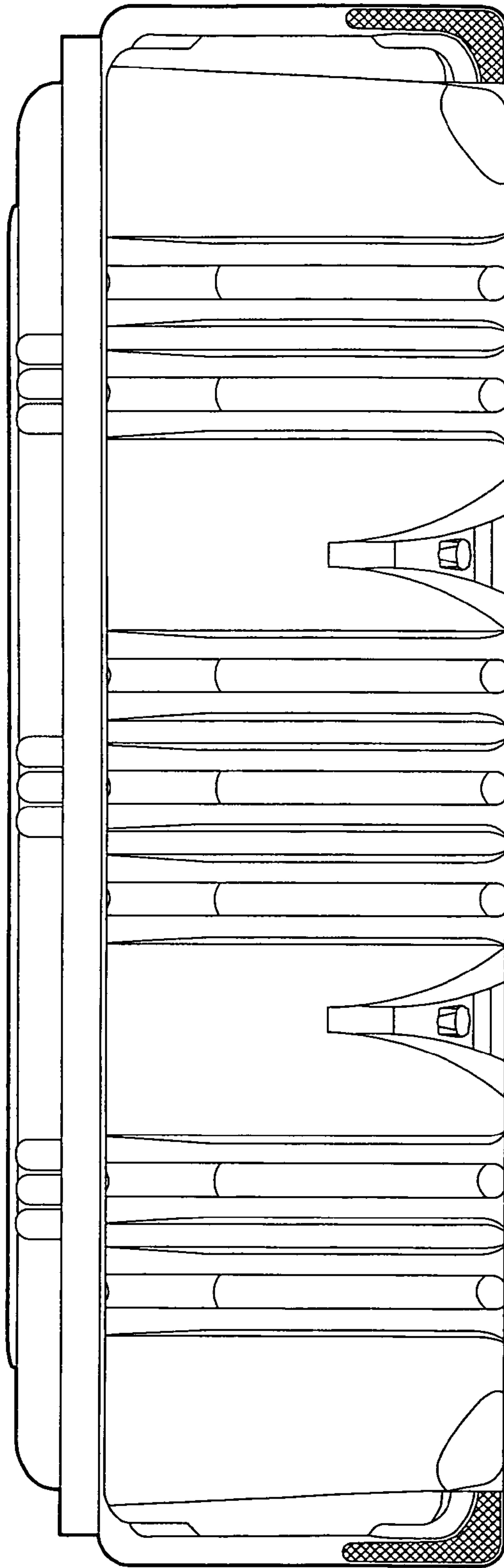


FIG. 7