



US00D625992S

(12) **United States Design Patent**
Khan et al.

(10) **Patent No.:** **US D625,992 S**

(45) **Date of Patent:** **** Oct. 26, 2010**

(54) **COSMETIC APPLICATOR CASE**

(75) Inventors: **Raheel Khan**, Franklin Park, NJ (US);
Thomas R. Burtzloff, Clarksville, MD
(US); **Melanie Walker**, Glen Burnie,
MD (US)

(73) Assignee: **Avon Products, Inc.**, New York, NY
(US)

(**) Term: **14 Years**

(21) Appl. No.: **29/345,783**

(22) Filed: **Oct. 22, 2009**

Related U.S. Application Data

(62) Division of application No. 29/326,182, filed on Oct.
14, 2008, now Pat. No. Des. 603,093.

(51) **LOC (9) Cl.** **09-03**

(52) **U.S. Cl.** **D9/416; D9/424; D28/7**

(58) **Field of Classification Search** D28/4,
D28/7, 9; 132/285, 319, 320, 333; D9/414,
D9/416, 420, 424, 425, 432; D3/202; 206/822;
220/500, 675

See application file for complete search history.

(56) **References Cited**

U.S. PATENT DOCUMENTS

- 5,441,150 A * 8/1995 Ma 206/707
- D365,892 S * 1/1996 Markham D28/83
- D370,306 S * 5/1996 Stevens D28/78
- D378,734 S * 4/1997 Hardy et al. D9/425
- D504,065 S * 4/2005 Belser et al. D9/425
- D538,638 S * 3/2007 Dunshee D9/425

D538,639 S * 3/2007 Dunshee D9/425

* cited by examiner

Primary Examiner—Janice E Seeger

Assistant Examiner—Zenia I Bennett

(74) *Attorney, Agent, or Firm*—Charles J. Zeller; Juan M.
McGillyevddy; Anthony M. Santini

(57) **CLAIM**

The ornamental design for a cosmetic applicator case, as
shown and described.

DESCRIPTION

FIG. 1 is a perspective view of a base unit of a cosmetic
applicator case;

FIG. 2 is a top view thereof;

FIG. 3 is a bottom view thereof;

FIG. 4 is a front view thereof;

FIG. 5 is a rear view thereof;

FIG. 6 is a left-side view thereof; and

FIG. 7 is a right-side view thereof;

FIG. 8 is a perspective view the cosmetic applicator case with
the lid in a closed position;

FIG. 9 is a top view thereof;

FIG. 10 is a bottom view thereof;

FIG. 11 is a front view thereof;

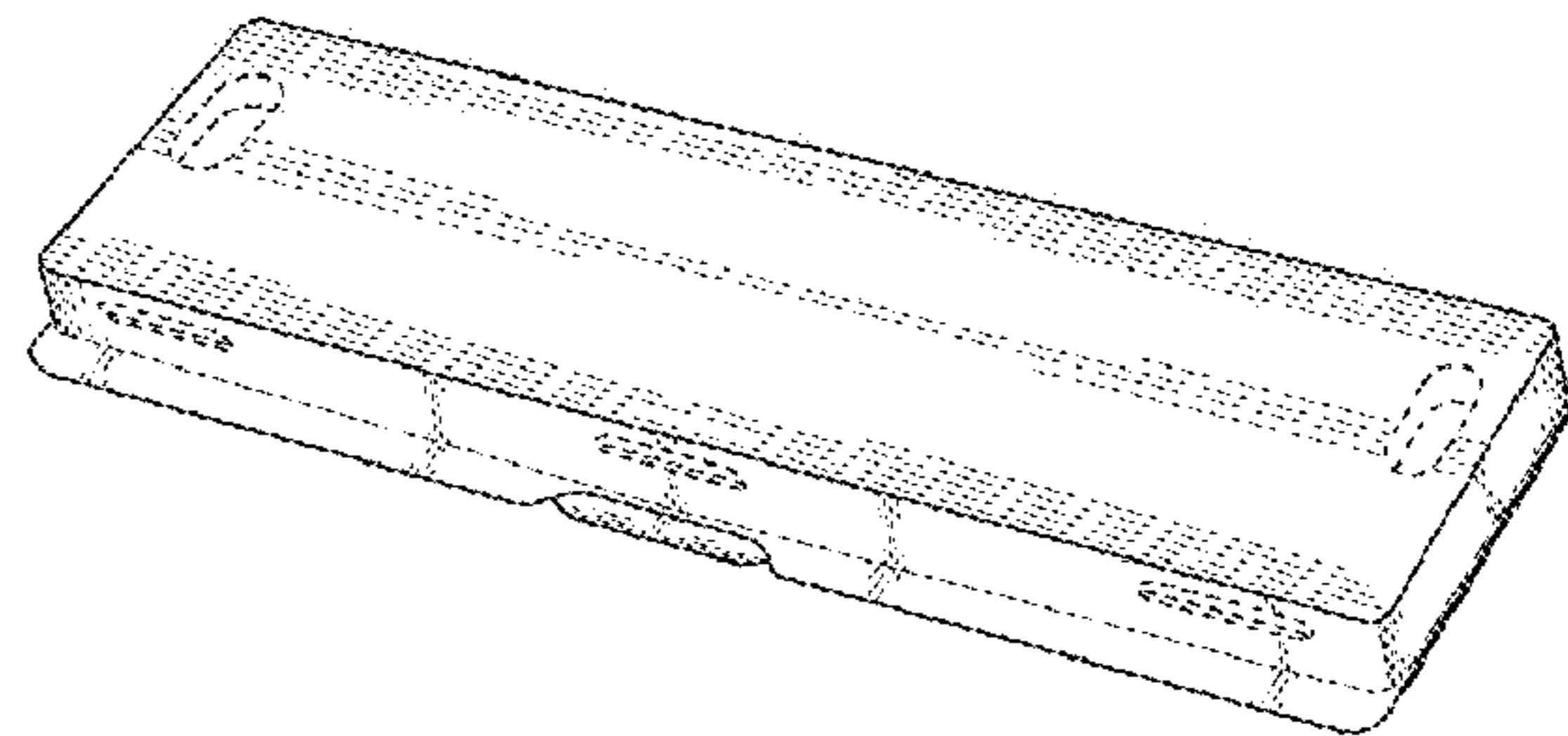
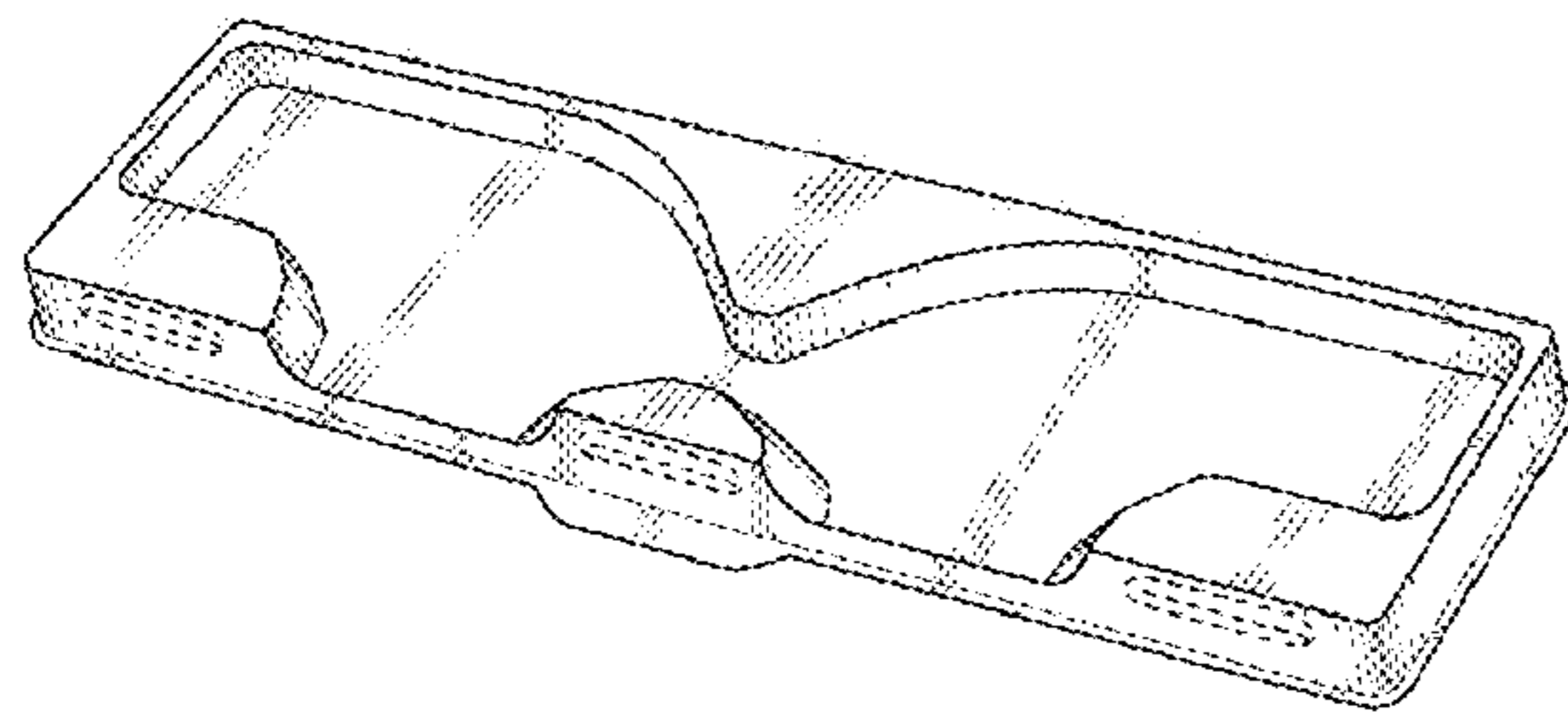
FIG. 12 is a rear view thereof;

FIG. 13 is a left-side view thereof, and,

FIG. 14 is a right-side view thereof.

The broken lines are for illustration only and do not form part
of the claimed design.

1 Claim, 8 Drawing Sheets



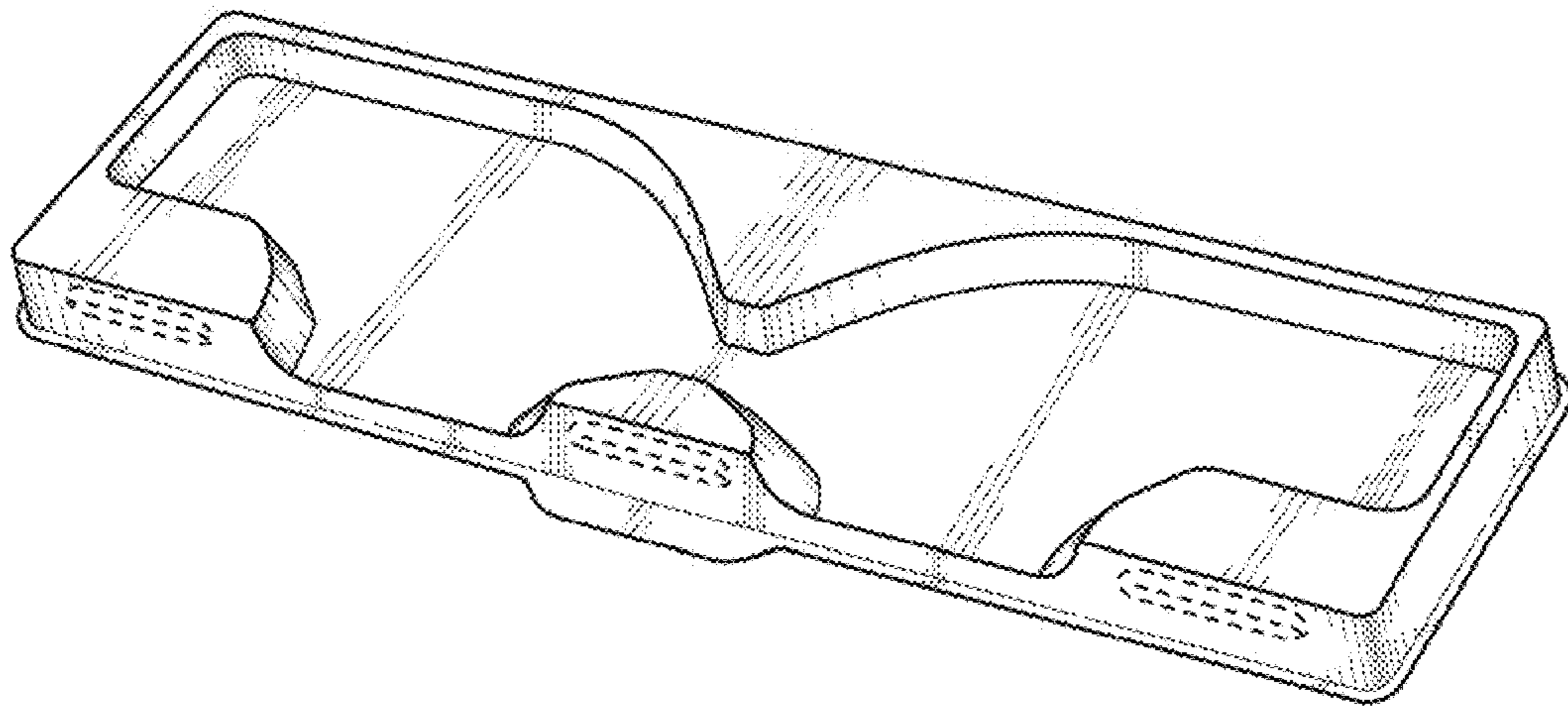


FIG. 1

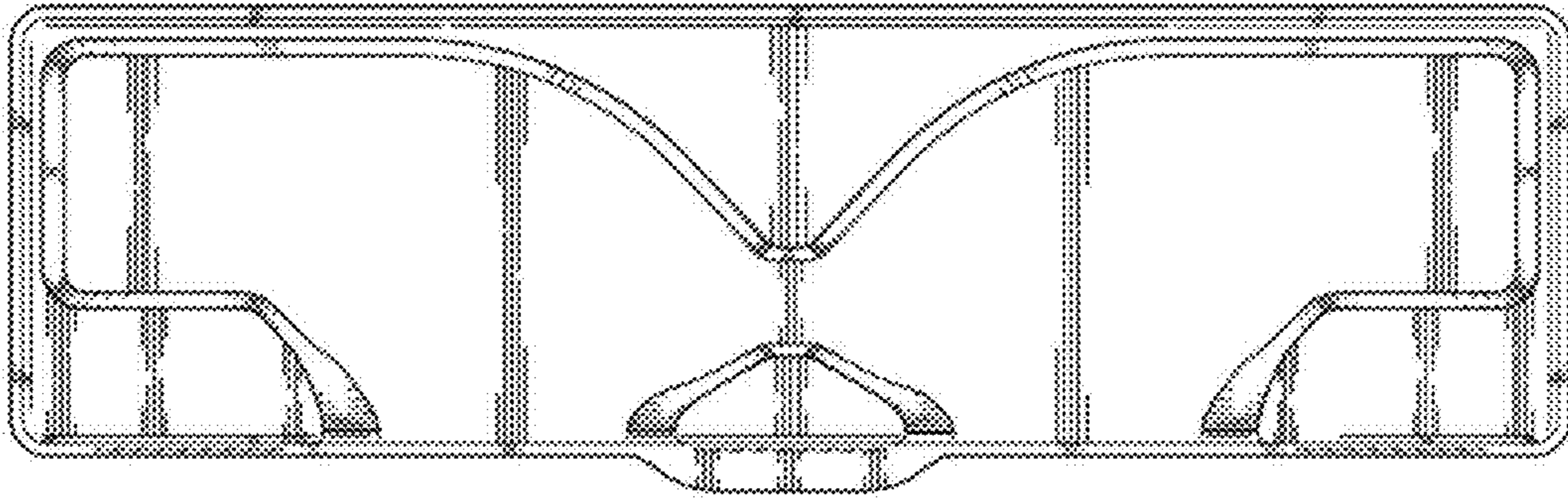


FIG. 2

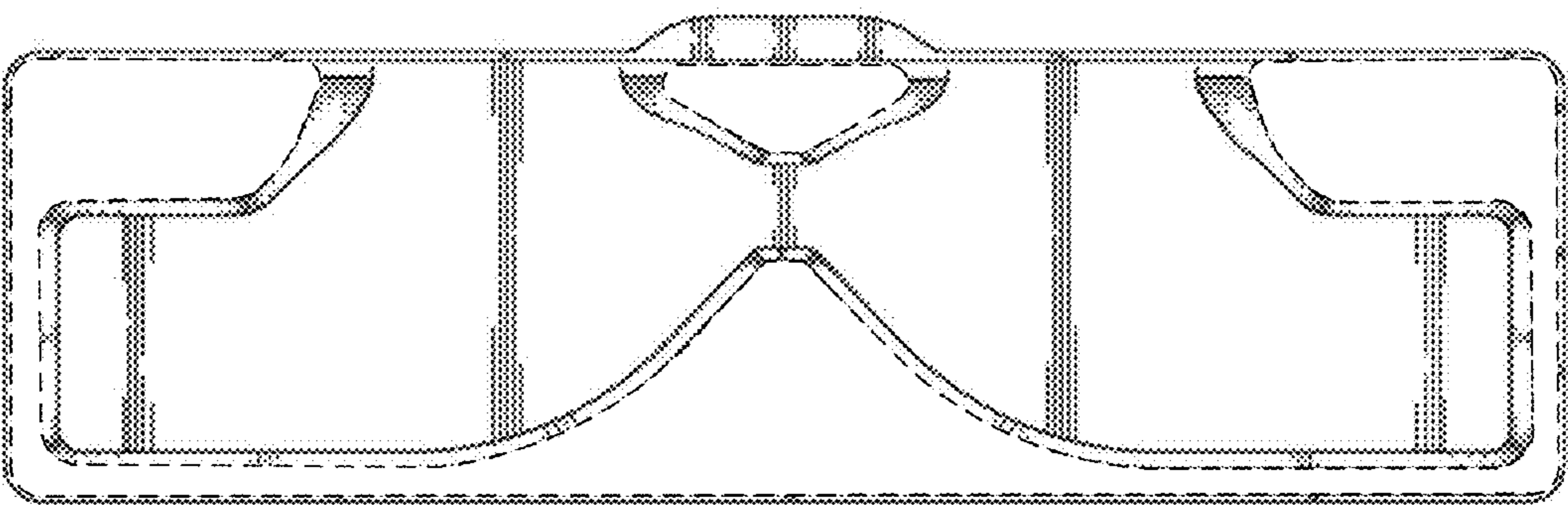


FIG. 3



FIG. 4

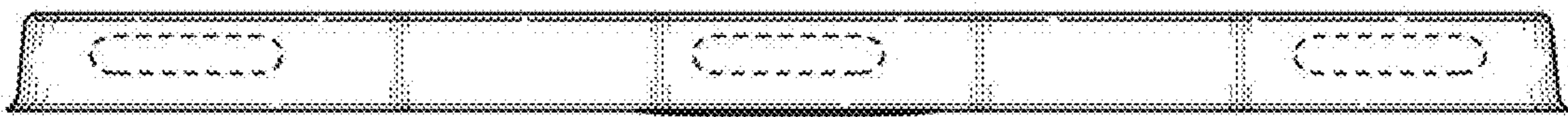


FIG. 5

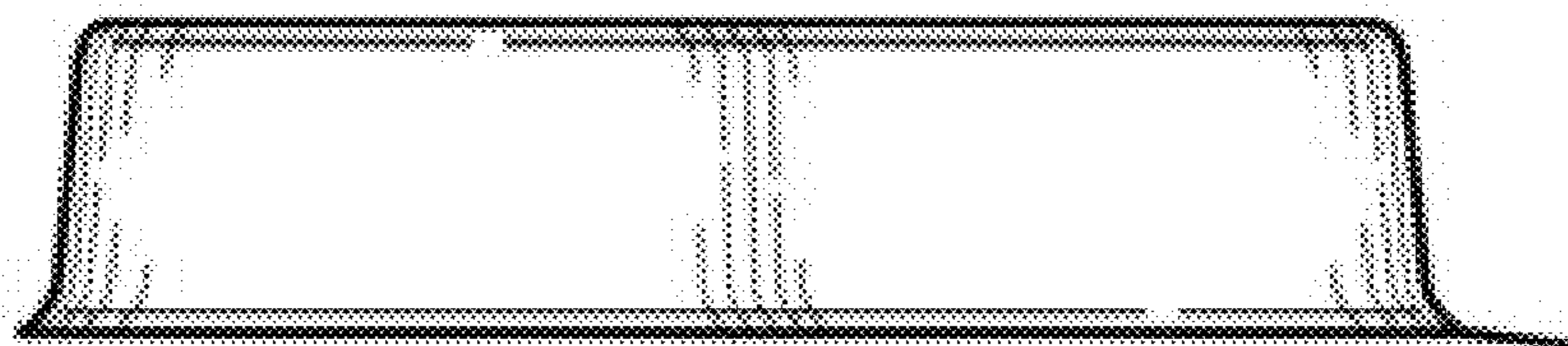


FIG. 6

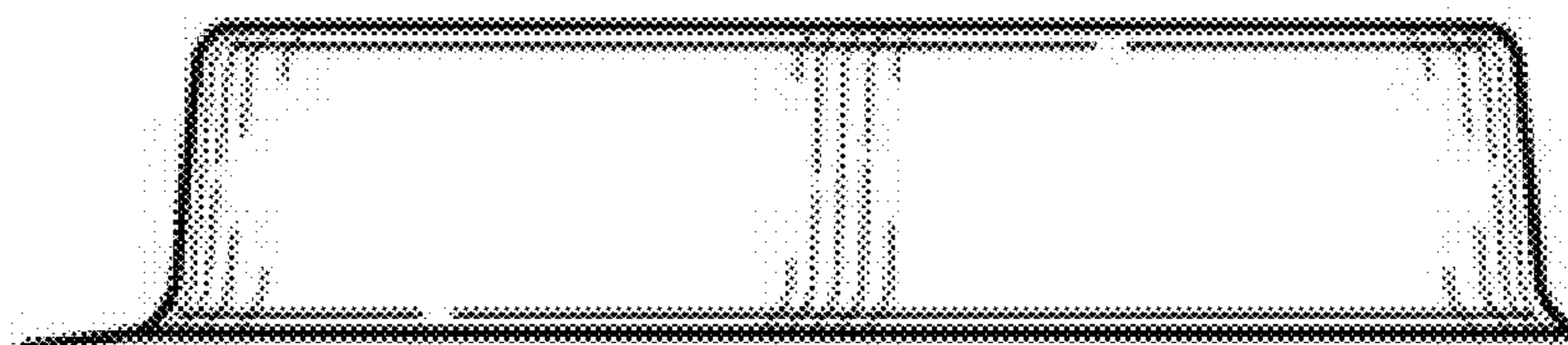


FIG. 7

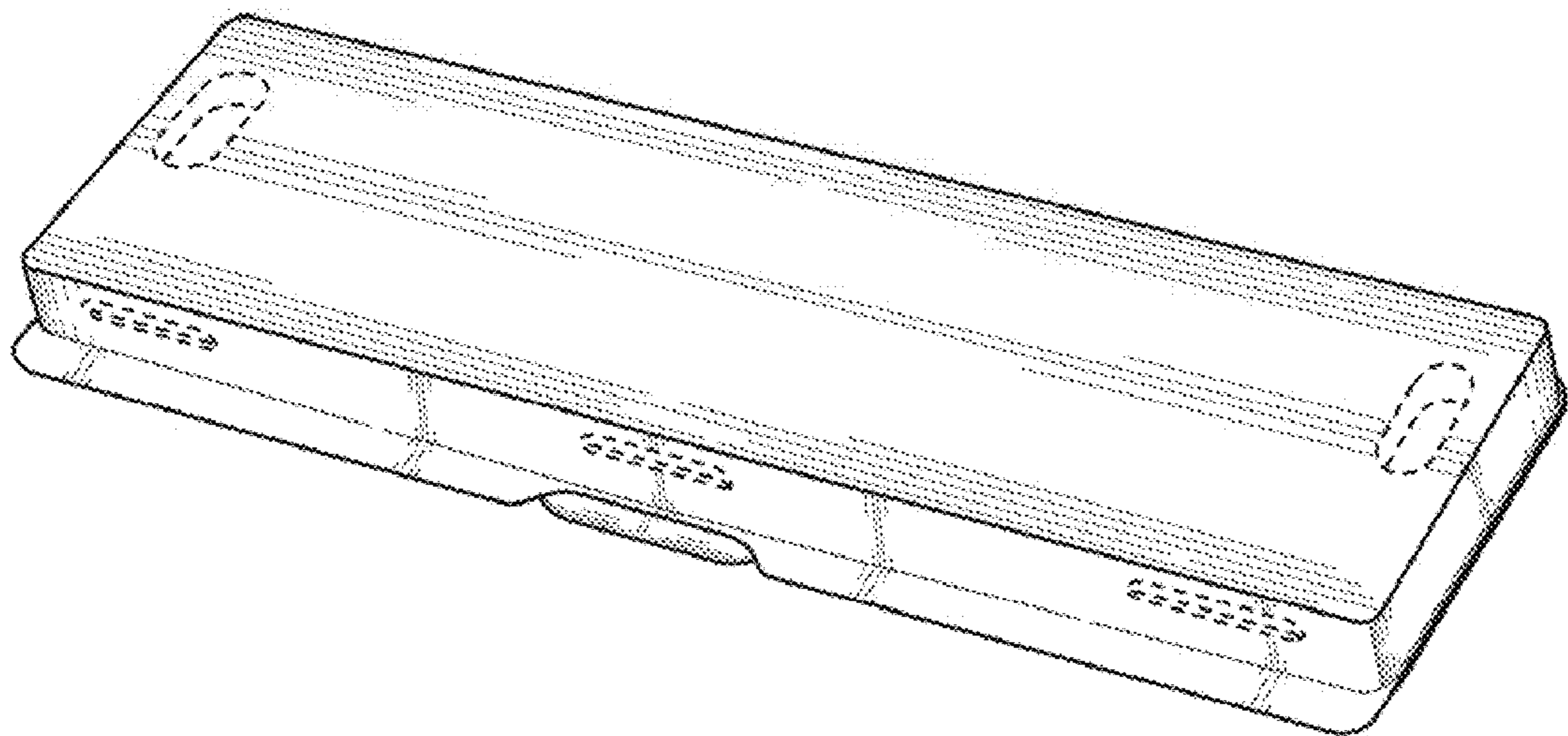


FIG. 8

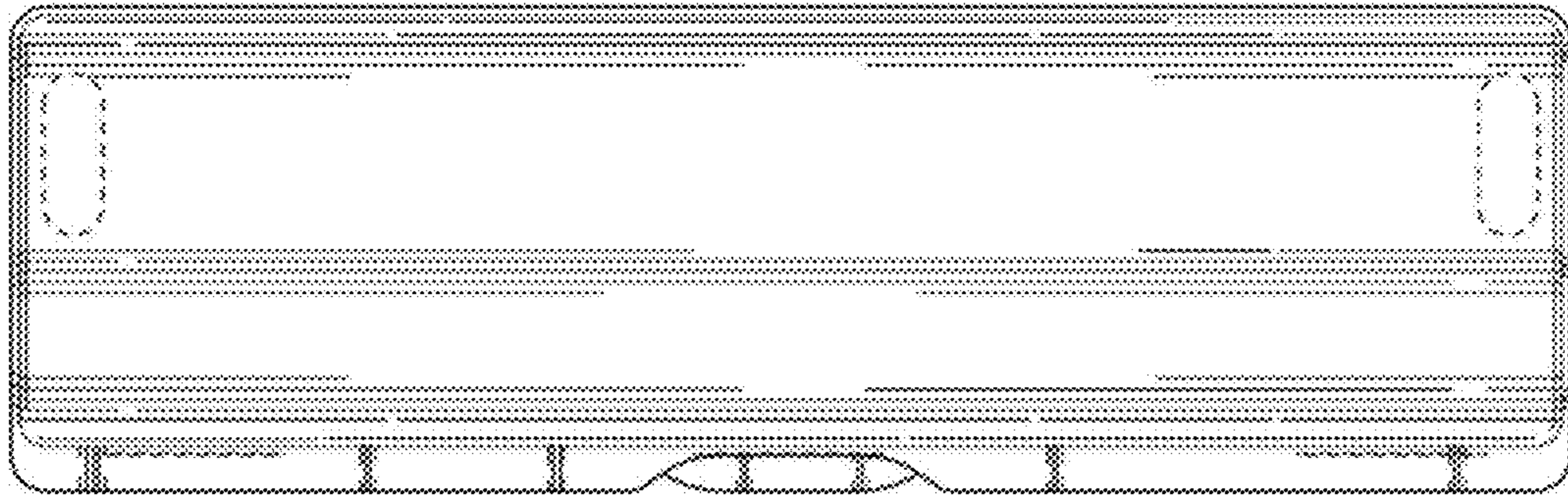


FIG. 9

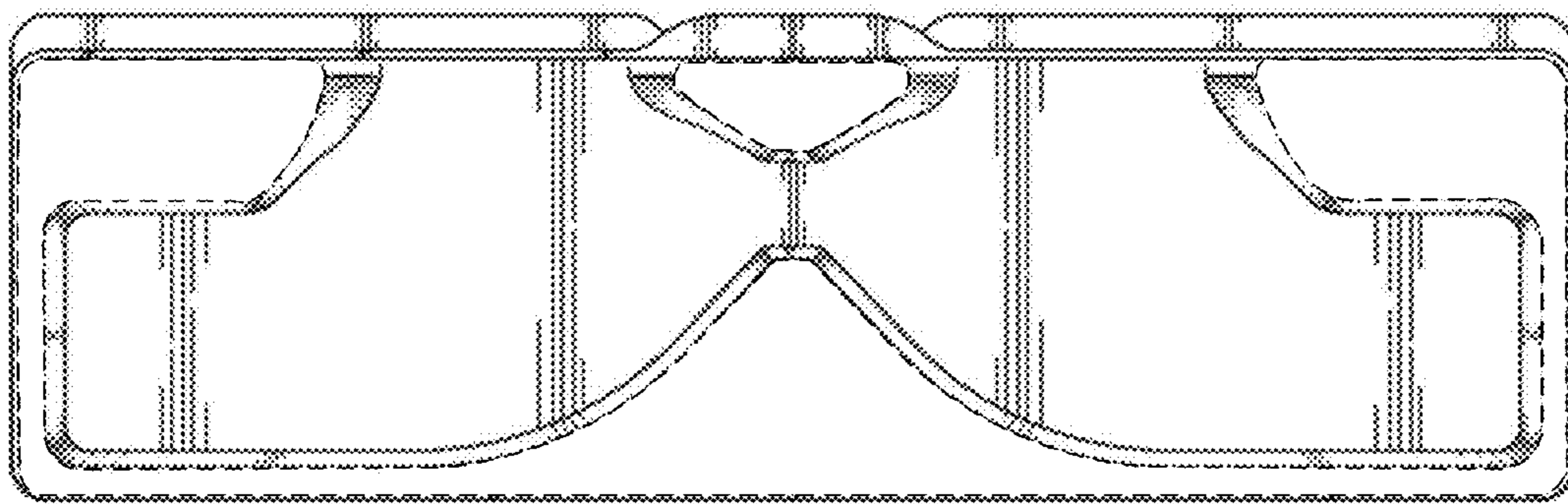


FIG. 10



FIG. 11



FIG. 12

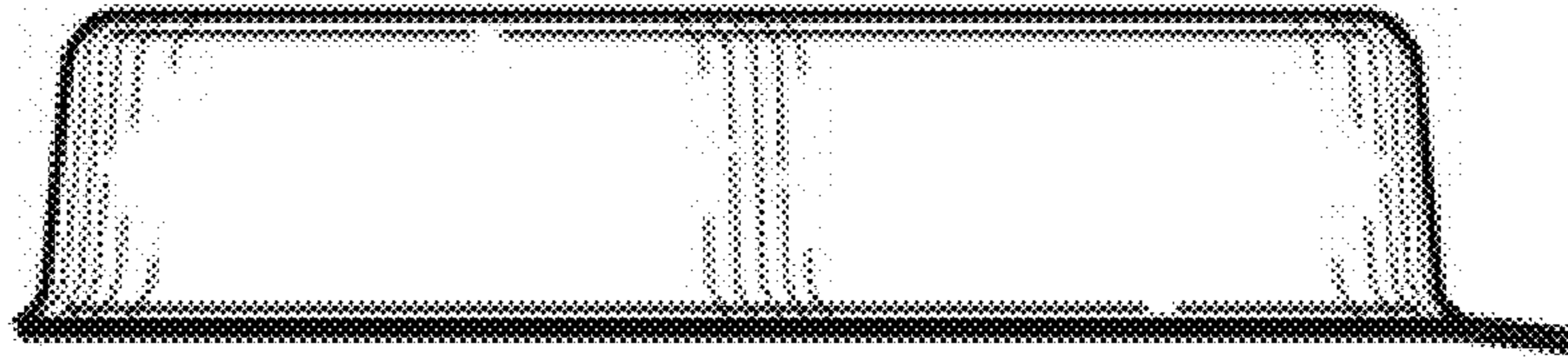


FIG. 13

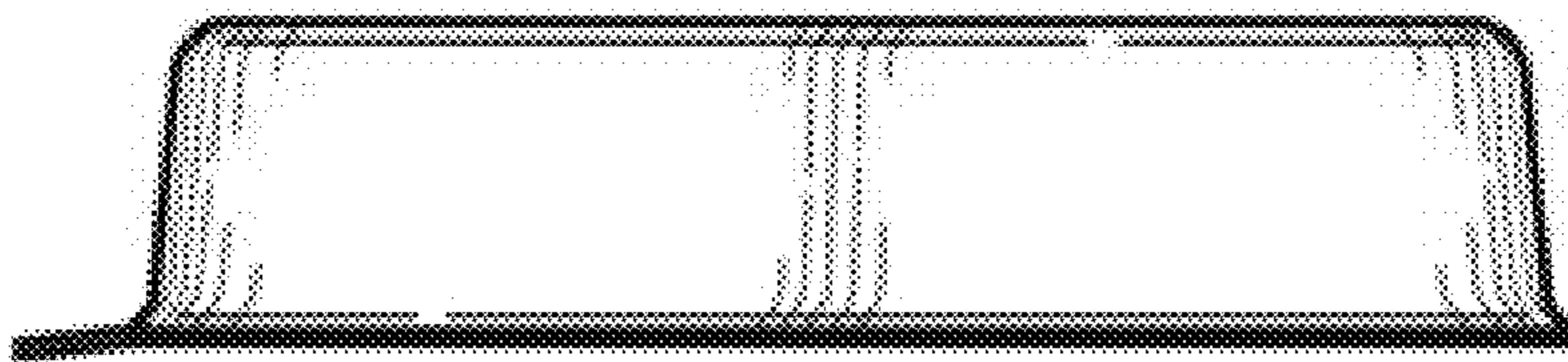


FIG. 14