



US00D625989S

(12) **United States Design Patent**
Mancosh et al.

(10) **Patent No.:** **US D625,989 S**
(45) **Date of Patent:** **** Oct. 26, 2010**

(54) **BALUSTER CONNECTOR**

(75) Inventors: **Douglas Mancosh**, Warwick, RI (US);
Rick A. Lappin, New London, NC (US)

(73) Assignee: **Fiber Composites, LLC**, New London,
NC (US)

(**) Term: **14 Years**

(21) Appl. No.: **29/345,109**

(22) Filed: **Oct. 9, 2009**

(51) **LOC (9) Cl.** **08-08**

(52) **U.S. Cl.** **D8/382**

(58) **Field of Classification Search** D8/382,
D8/354, 349; 256/65, 59; 403/365, 232.1,
403/233, 189

See application file for complete search history.

(56) **References Cited**

U.S. PATENT DOCUMENTS

1,772,159	A	8/1930	Roth	
3,955,800	A	5/1976	Russo	
3,991,982	A	11/1976	Yamamoto	
D298,011	S *	10/1988	Jans	D8/373
4,886,245	A	12/1989	Manzo	
D334,815	S *	4/1993	Bunger	D25/113
6,311,957	B1	11/2001	Driscoll et al.	
D452,644	S *	1/2002	Morita	D8/382
D454,482	S *	3/2002	Morita	D8/382
6,471,192	B1 *	10/2002	Erwin	256/65.05
6,702,259	B2	3/2004	Pratt	
6,805,335	B2 *	10/2004	Williams	256/67
6,807,788	B1	10/2004	Terry	
6,889,960	B1	5/2005	Jones	
6,932,329	B1	8/2005	Harder	
D519,650	S *	4/2006	Rosian	D25/135
7,044,448	B1	5/2006	Jones	

D544,107	S *	6/2007	Timothy	D25/133
7,278,240	B2 *	10/2007	Burkart et al.	52/155
D556,559	S *	12/2007	Jones et al.	D8/382
2004/0025452	A1	2/2004	McLean	
2004/0089857	A1	5/2004	Brestelli et al.	

(Continued)

OTHER PUBLICATIONS

Fiberon Horizon Plus, "Ultra Low Maintenance Composite Railing Installation Guidelines," Fiber Composites, LLC, Copyright 2008, dated Jan. 2008, 10 pages.

(Continued)

Primary Examiner—Holly H Baynham

Assistant Examiner—Sheryl Lane

(74) *Attorney, Agent, or Firm*—Goodwin Procter LLP

(57) **CLAIM**

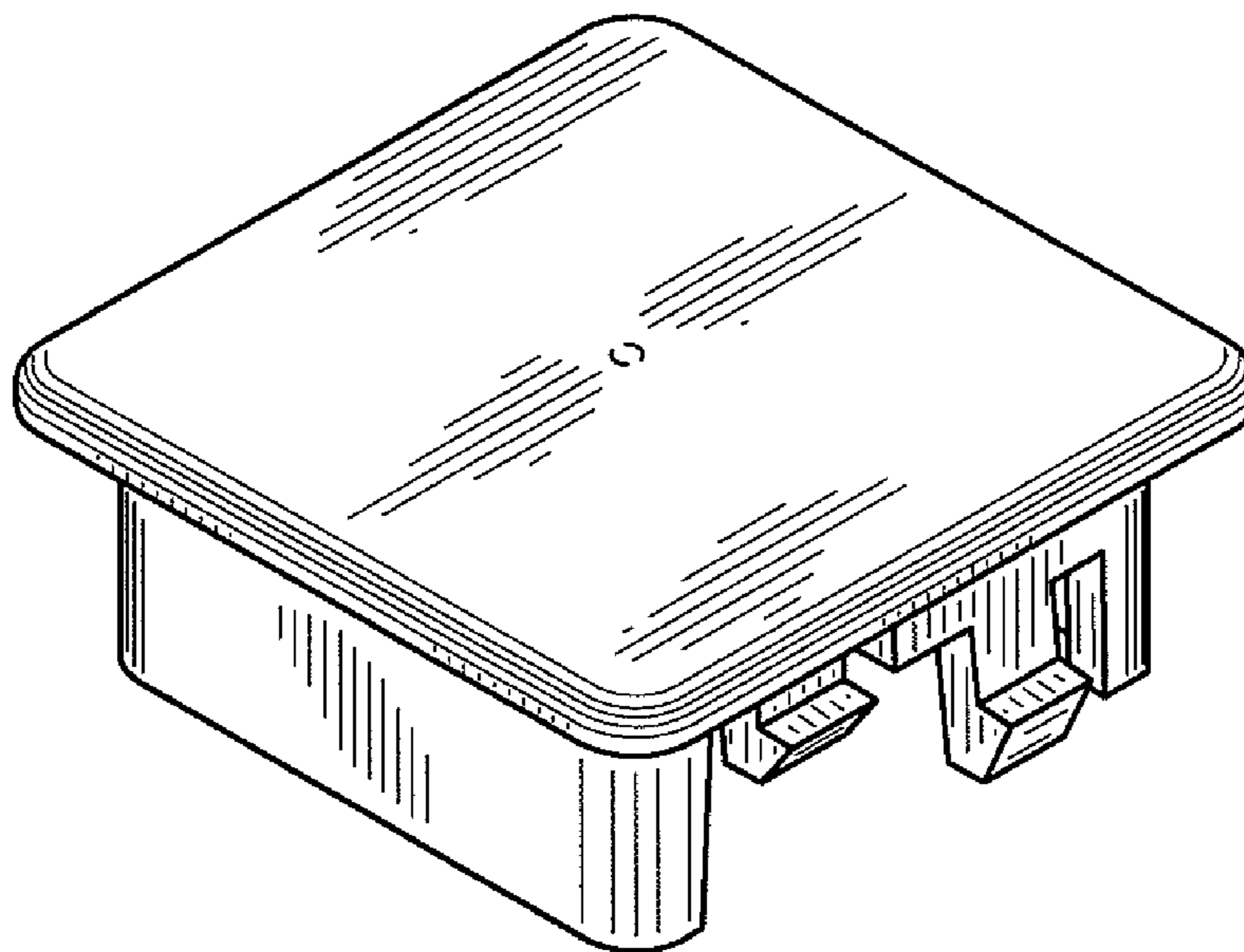
The ornamental design for a baluster connector, as shown and described.

DESCRIPTION

FIG. 1 is a top perspective view of the baluster connector;
FIG. 2 is a bottom perspective view of the baluster connector;
FIG. 3 is top view of the baluster connector;
FIG. 4 is a bottom view of the baluster connector;
FIG. 5 is a left side view of the baluster connector;
FIG. 6 is a right side view of the baluster connector;
FIG. 7 is a front side view of the baluster connector; and,
FIG. 8 is a rear side view of the baluster connector.

The broken lines are shown for the purpose of illustrating portions of the connector and form no part of the claimed design.

1 Claim, 2 Drawing Sheets



U.S. PATENT DOCUMENTS

2006/0107613 A1 5/2006 Chung
2006/0175592 A1 8/2006 DeRogatis et al.

OTHER PUBLICATIONS

Fiberon, "Product Guide," dated Mar. 2009, 36 pages.
Azek Building Products, "Railing Installation Guidelines," Copyright 2009, 8 pages.

Fiber Composites, LLC, "2007 Line Baluster Insert," Drawing No. 050-0023, dated Jul. 20, 2006, 1 page.

Fiber Composites, LLC, "2007 Stair Baluster Insert," Drawing No. 050-0024, dated Jul. 20, 2006, 1 page.

Rendering of exploded composite railing system, including baluster connector, on sale prior to Jul. 2006, 1 page.

* cited by examiner

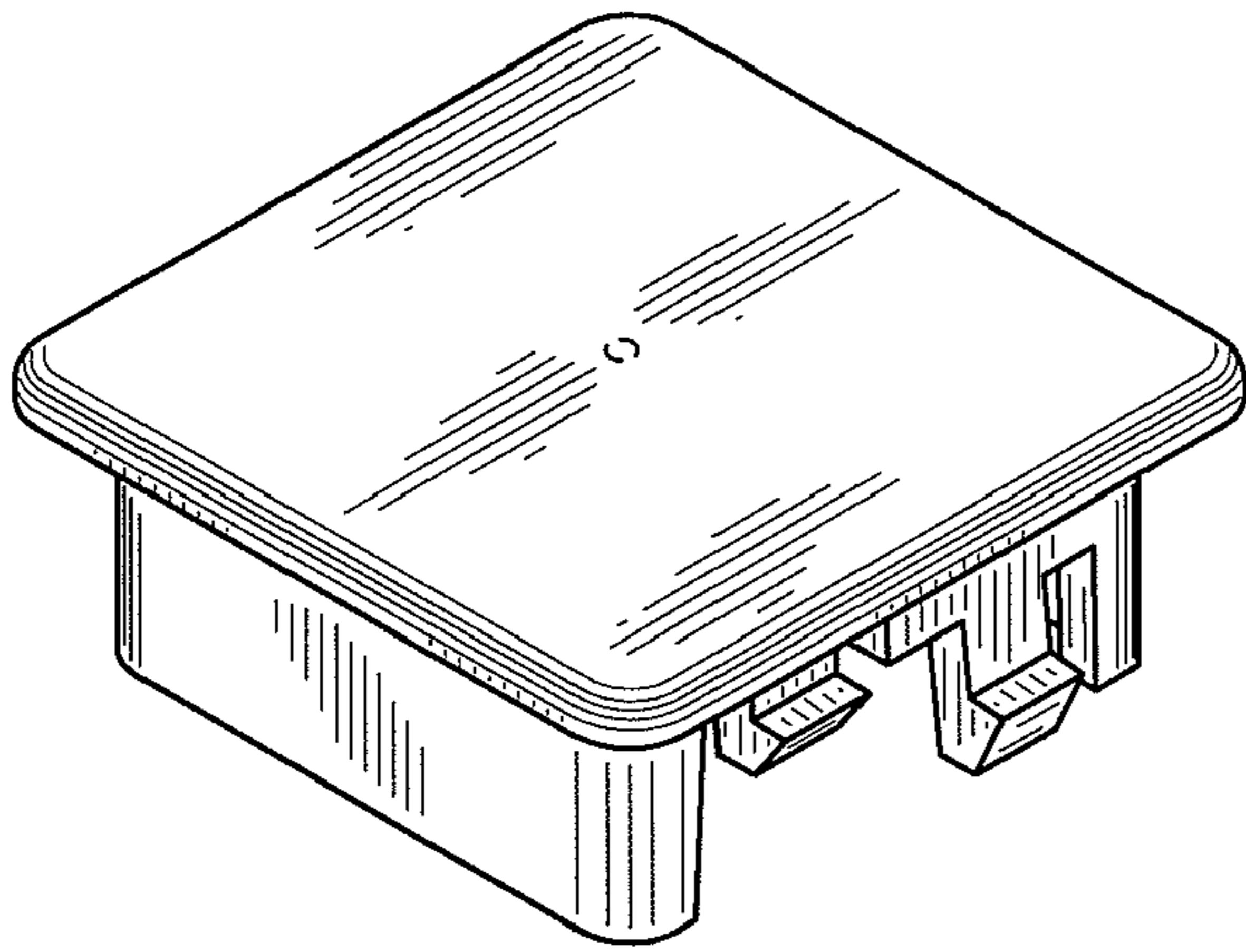


FIG. 1

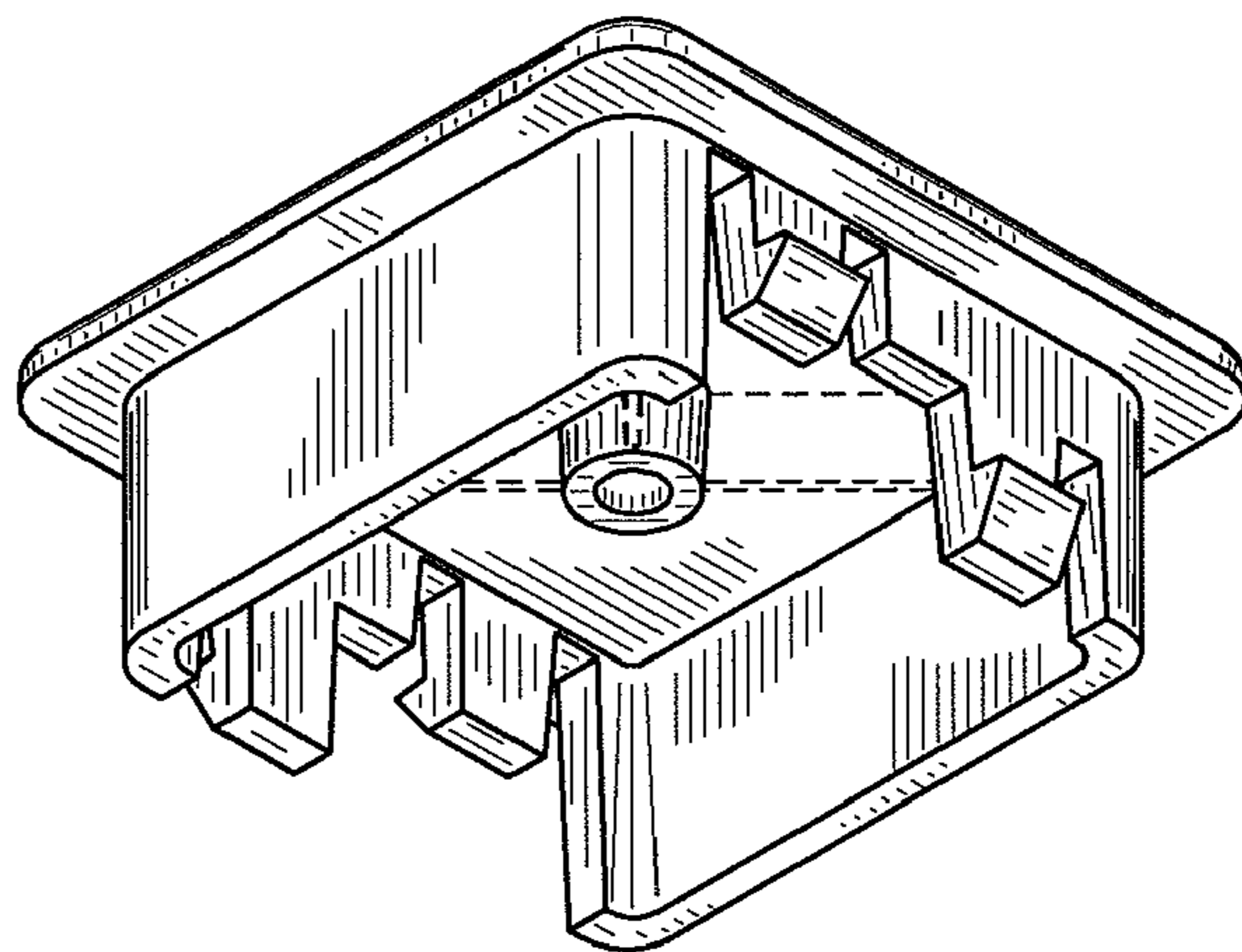


FIG. 2

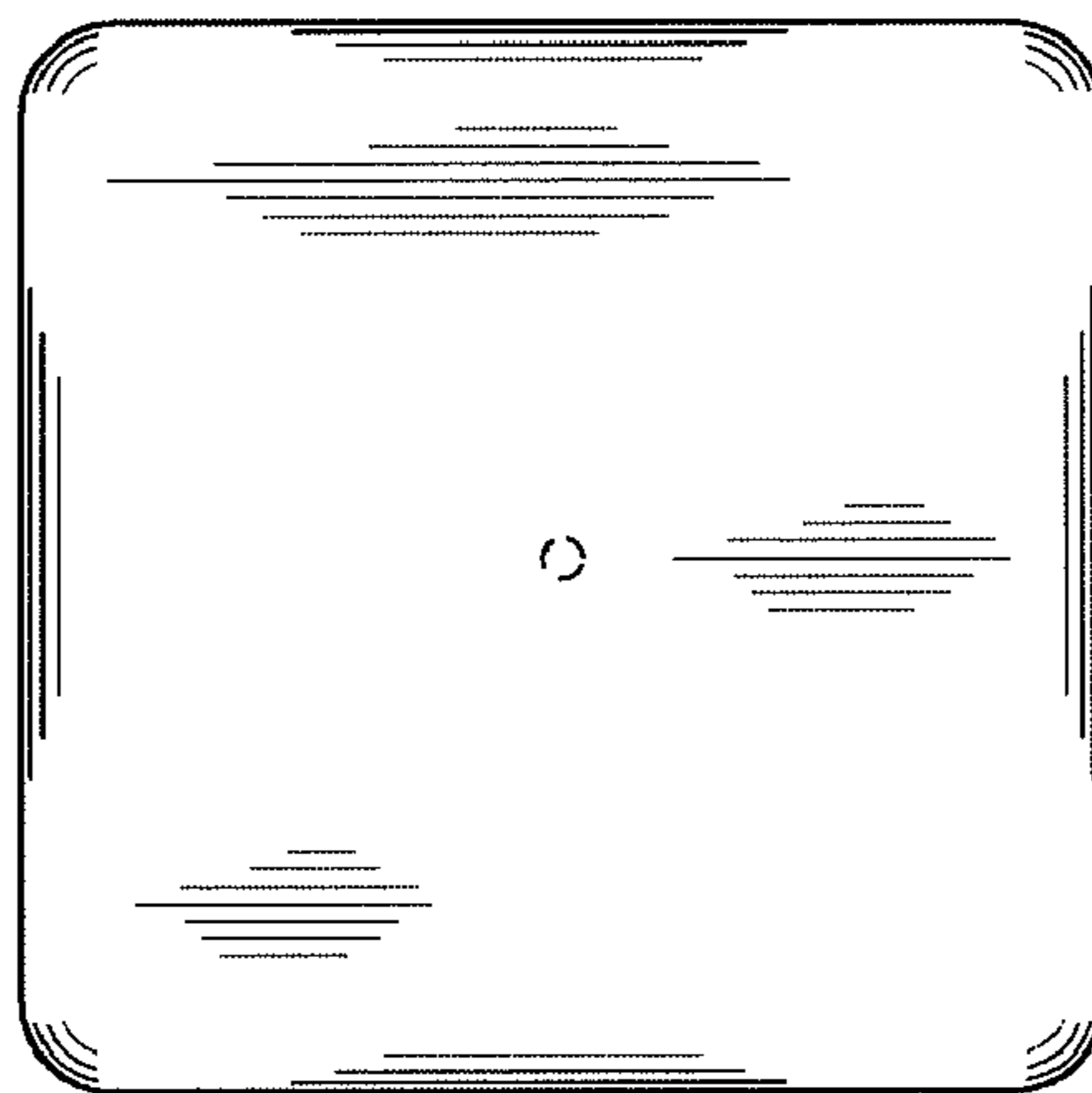


FIG. 3

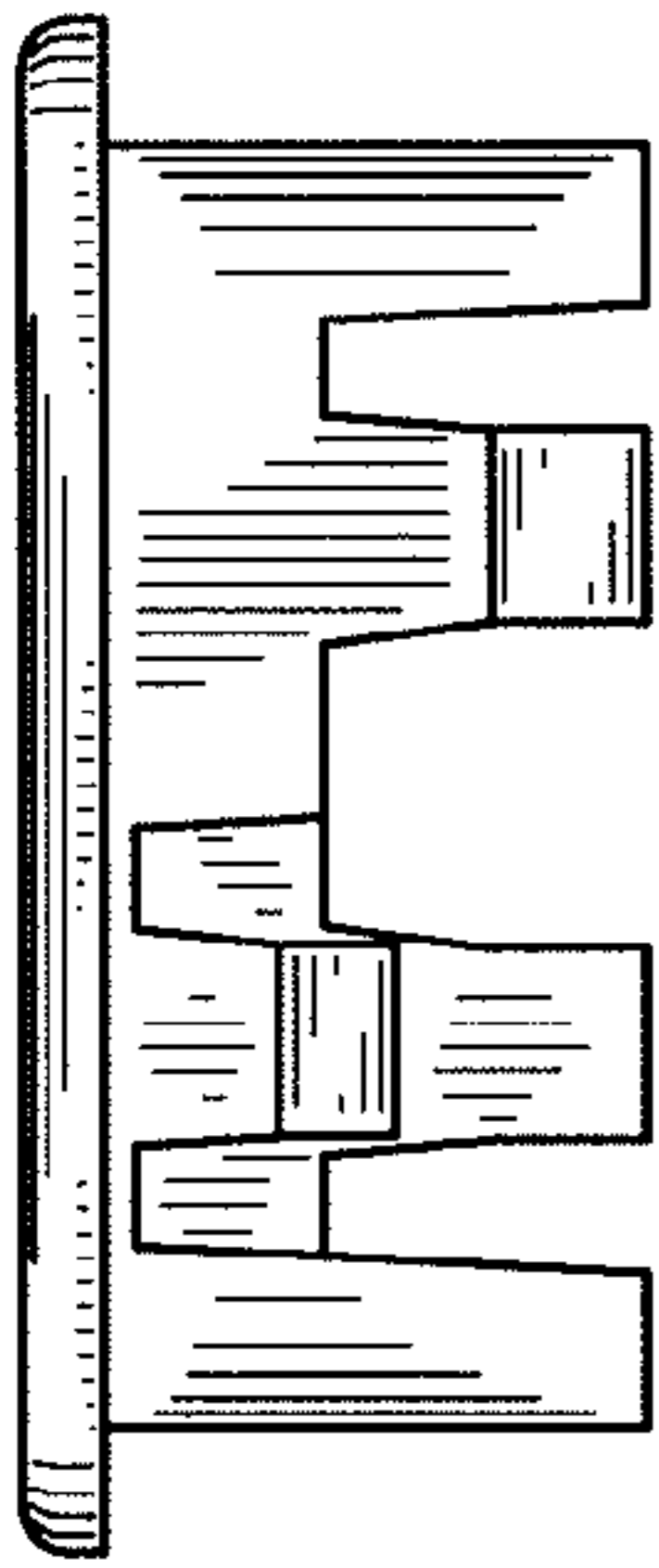


FIG. 5

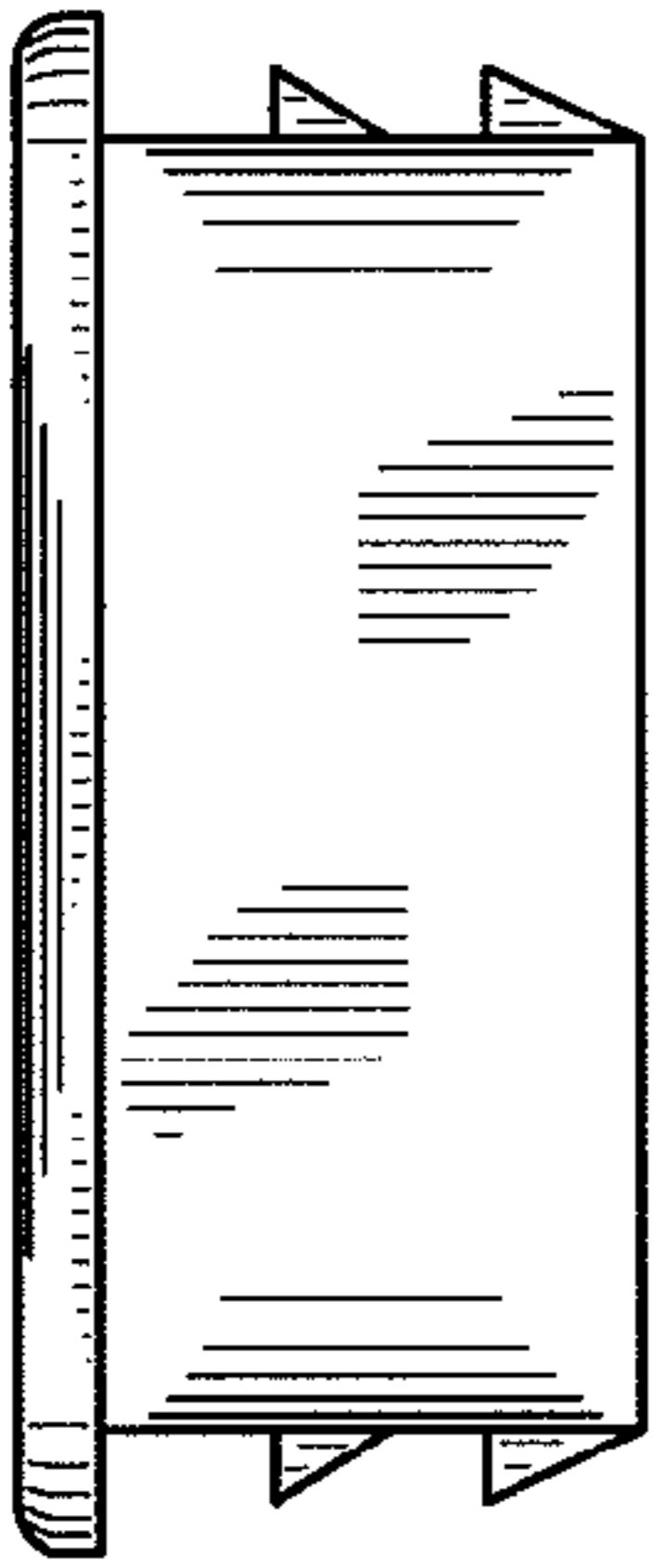


FIG. 7

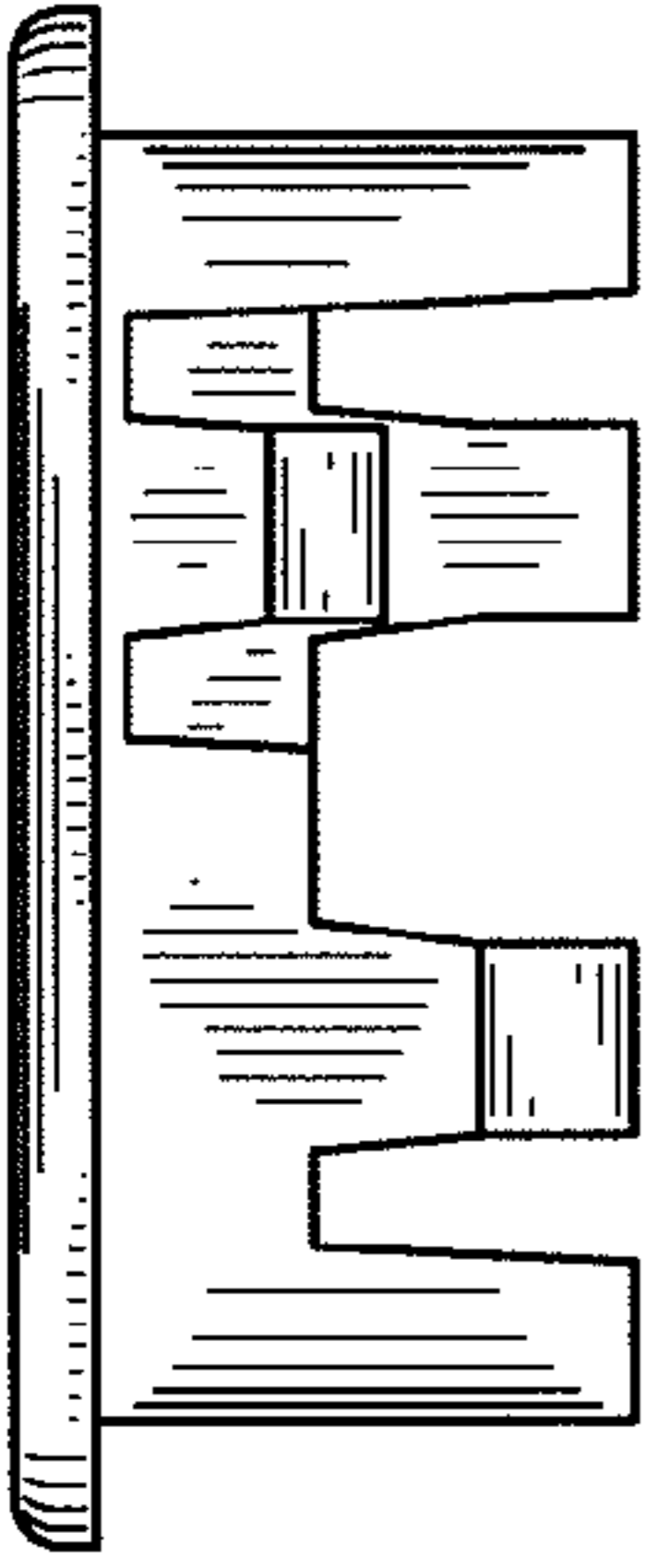


FIG. 6

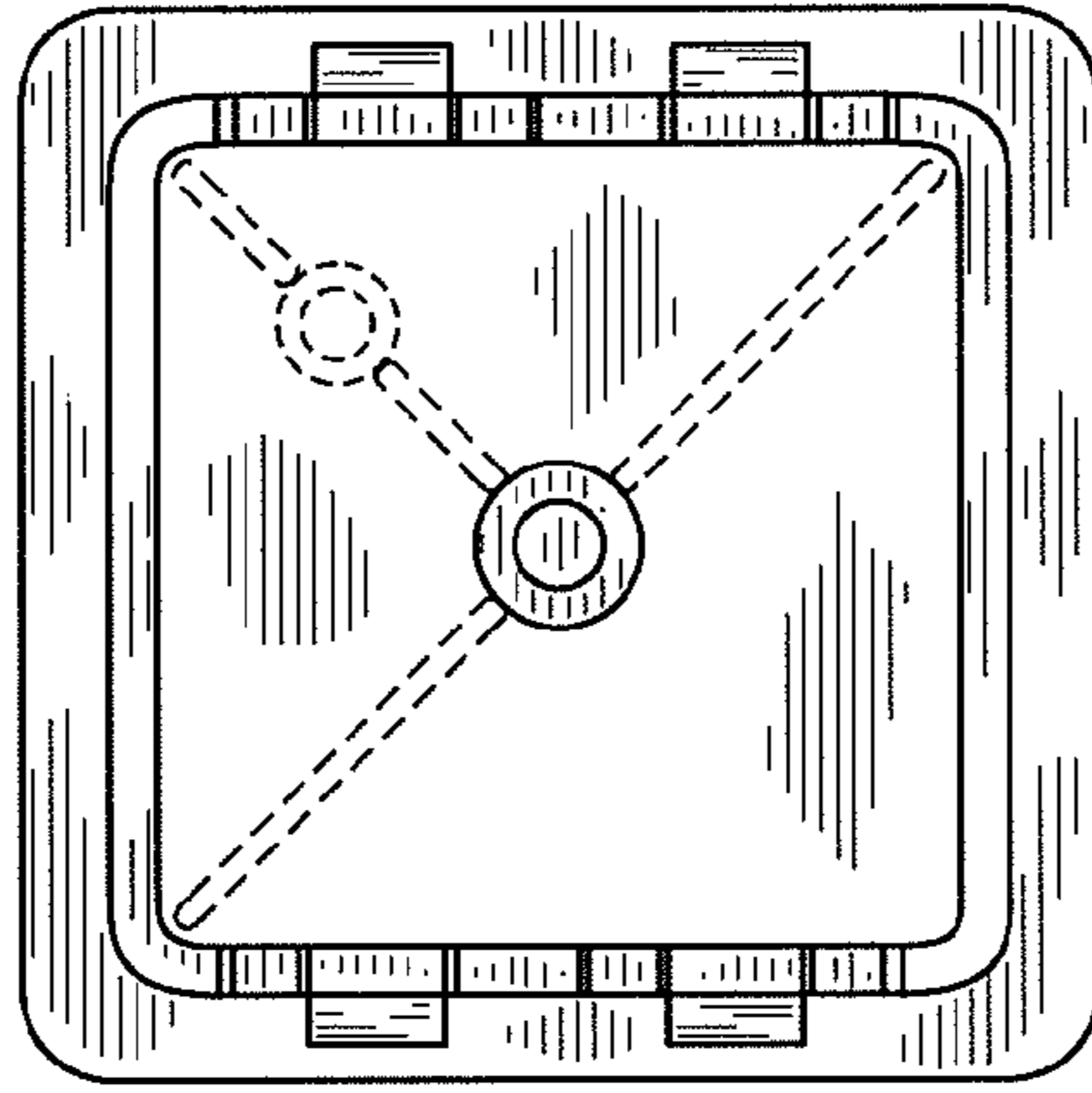


FIG. 4

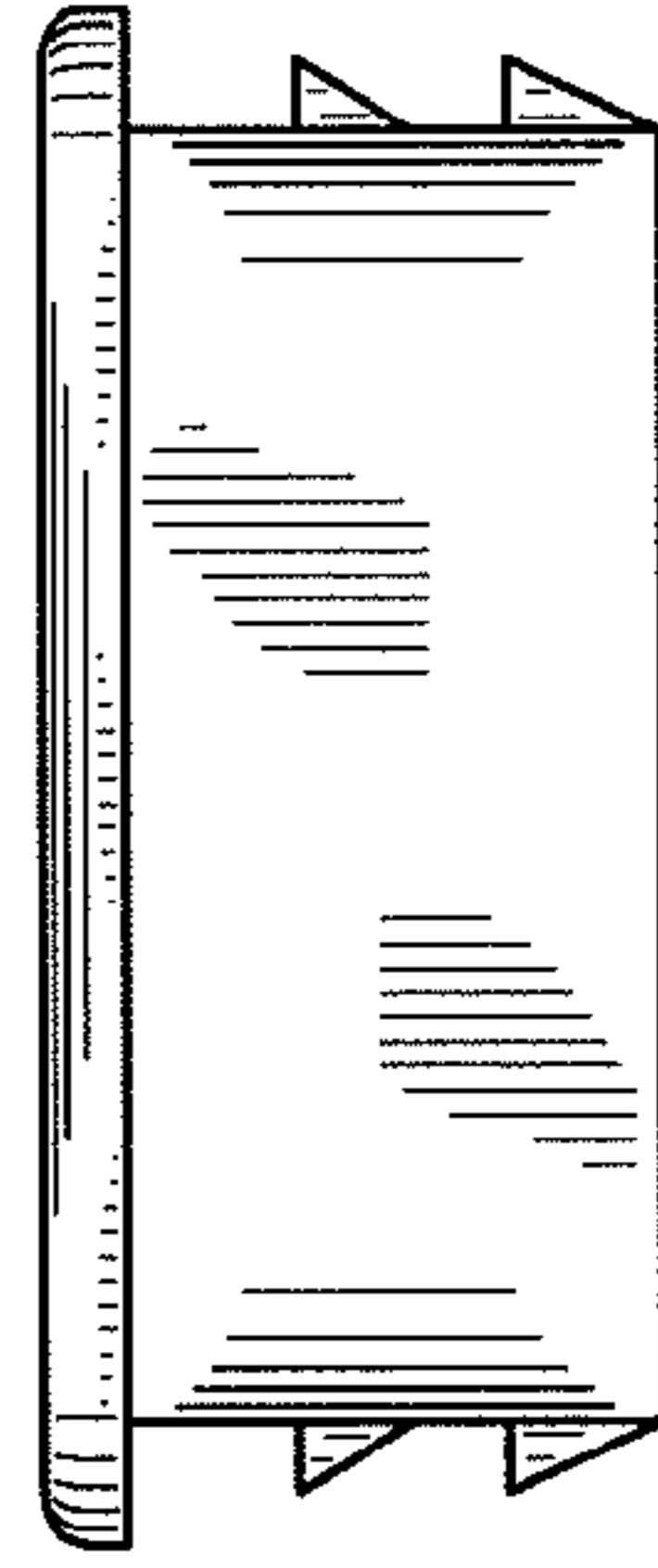


FIG. 8