



US00D625987S

(12) **United States Design Patent**
Barrese

(10) **Patent No.:** **US D625,987 S**
(45) **Date of Patent:** **** Oct. 26, 2010**

(54) **SHOWER CURTAIN HOOK**

(75) Inventor: **Charles Barrese**, Huntington, NY (US)

(73) Assignee: **Ex-Cell Home Fashions, Inc.**, New York, NY (US)

(**) Term: **14 Years**

(21) Appl. No.: **29/341,928**

(22) Filed: **Aug. 14, 2009**

(51) **LOC (9) Cl.** **08-05**

(52) **U.S. Cl.** **D8/367**

(58) **Field of Classification Search** D8/367,
D8/368, 373; 24/716; 248/301-303, 339;
160/368.1

See application file for complete search history.

(56) **References Cited**

U.S. PATENT DOCUMENTS

1,197,008	A	9/1916	Burke	
2,010,853	A	8/1935	Dyer	
2,209,007	A	7/1940	Stevenson	
2,259,217	A	10/1941	Stevenson	
2,259,880	A	10/1941	Ehmann	
4,095,416	A	6/1978	Issard	
4,102,124	A	7/1978	Swager	
D265,173	S	6/1982	Brooks	
4,476,673	A	10/1984	Brown	
5,339,884	A	8/1994	Angerman	
D357,401	S *	4/1995	Iverson	D8/368
D431,180	S	9/2000	Gray, Jr.	
D433,617	S	11/2000	Gray, Jr.	
D587,917	S *	3/2009	Barrese	D6/367
D596,016	S *	7/2009	Dretzka	D8/367
D607,309	S *	1/2010	Barrese	D8/367
D611,329	S *	3/2010	Barrese	D8/367
D614,939	S *	5/2010	Barrese	D8/367
D615,386	S *	5/2010	Hardin et al.	D8/354

OTHER PUBLICATIONS

straight d shackle, available at <http://images.google.com/images?sourceid=navclient&rls=EGLC,EGLC:2007-16,EGLC:en&q=straight%...>, dated May 22, 2009, 2 pages.

Straight D Shackle (no snag pin) - Stainless Steel, available at <http://www.berkeleypoint.com/products/hardware/straightdshackleno snag.html>; dated May 22, 2009, 2 pages.

wide d shackle, available at <http://images.goggle.com/images?hl-en&safe=off&rls=ELGC%2CEGLC%3A2007-16%2CEGLC%3Ae...>, dated May 22, 2009, 2 pages.

http://www.go2marine.com/go2_structure/2/3/0/5/23056F-p.jpg, dated May 22, 2009, 1 page.

Wide "D" Shackle - Stainless Steel, available at <http://www.berkeleypoint.com/products/hardware/widedshackle.html>; dated May 22, 2009, 1 page.

<http://www.aquaairind.com/Index/Hardware/Straight-D-Shackle-ex.jpg>, dated May 22, 2009, 1 page.

http://www.berkeleypoint.com/products/hardware/parts/widedshackle_c.jpg, dated May 22, 2009, 1 page.

* cited by examiner

Primary Examiner—Melody N Brown

(74) *Attorney, Agent, or Firm*—Alston & Bird LLP

(57) **CLAIM**

The ornamental design for a shower curtain hook, as shown and described.

DESCRIPTION

FIG. 1 is a perspective view of an embodiment of a shower curtain hook according to my new design;

FIG. 2 is a front elevation view thereof;

FIG. 3 is a left side elevation view thereof, the right side being a mirror image thereof;

FIG. 4 is a top plan view thereof;

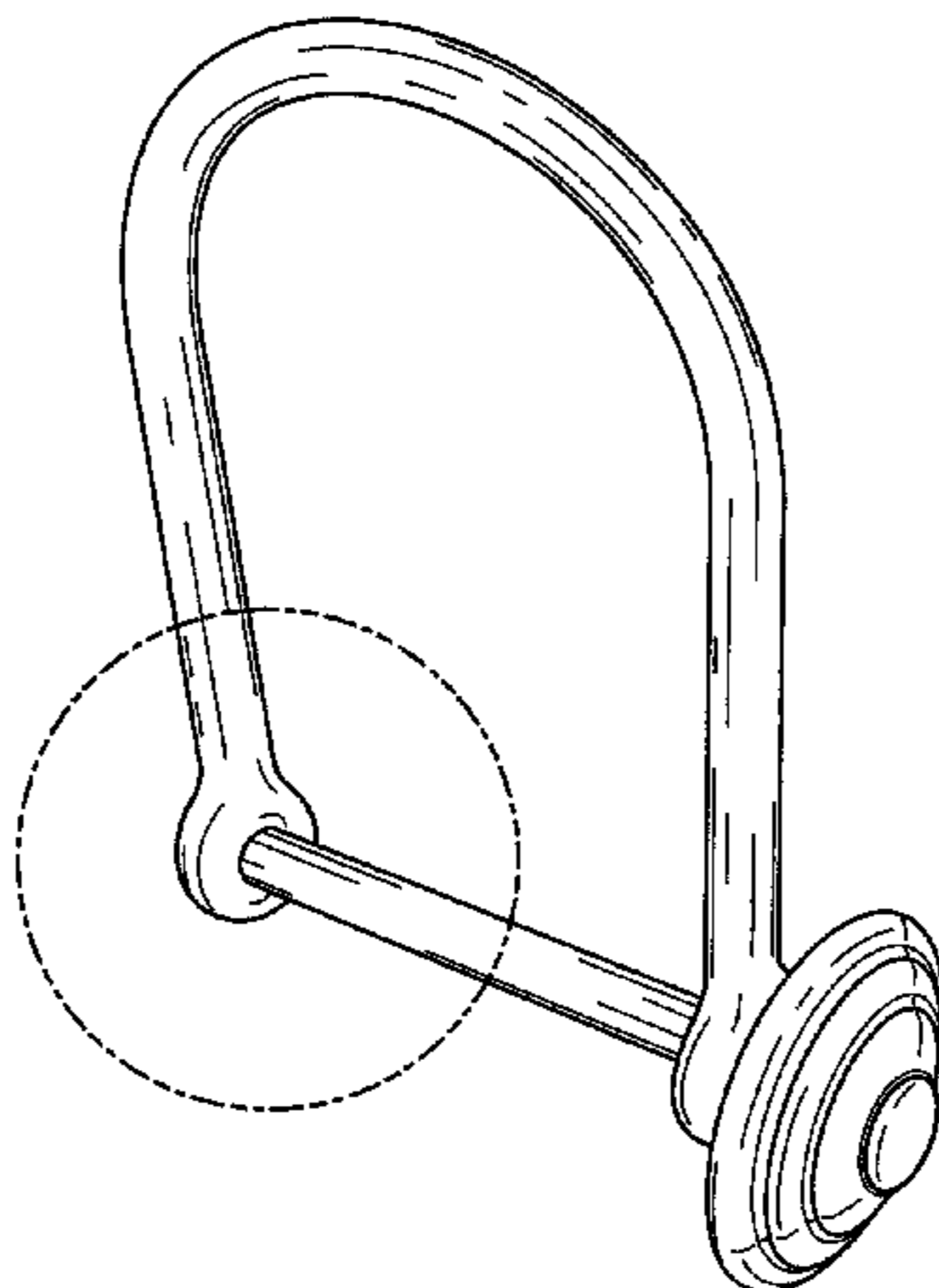
FIG. 5 is a bottom plan view thereof;

FIG. 6 is a rear elevation view thereof; and,

FIG. 7 is an enlarged, exploded perspective view of a portion of FIG. 1.

The broken lines immediately adjacent the shaded areas represent the bounds of the claimed design while all other broken lines are directed to environment and are for illustrative purposes only; the broken lines form no part of the claimed design.

1 Claim, 7 Drawing Sheets



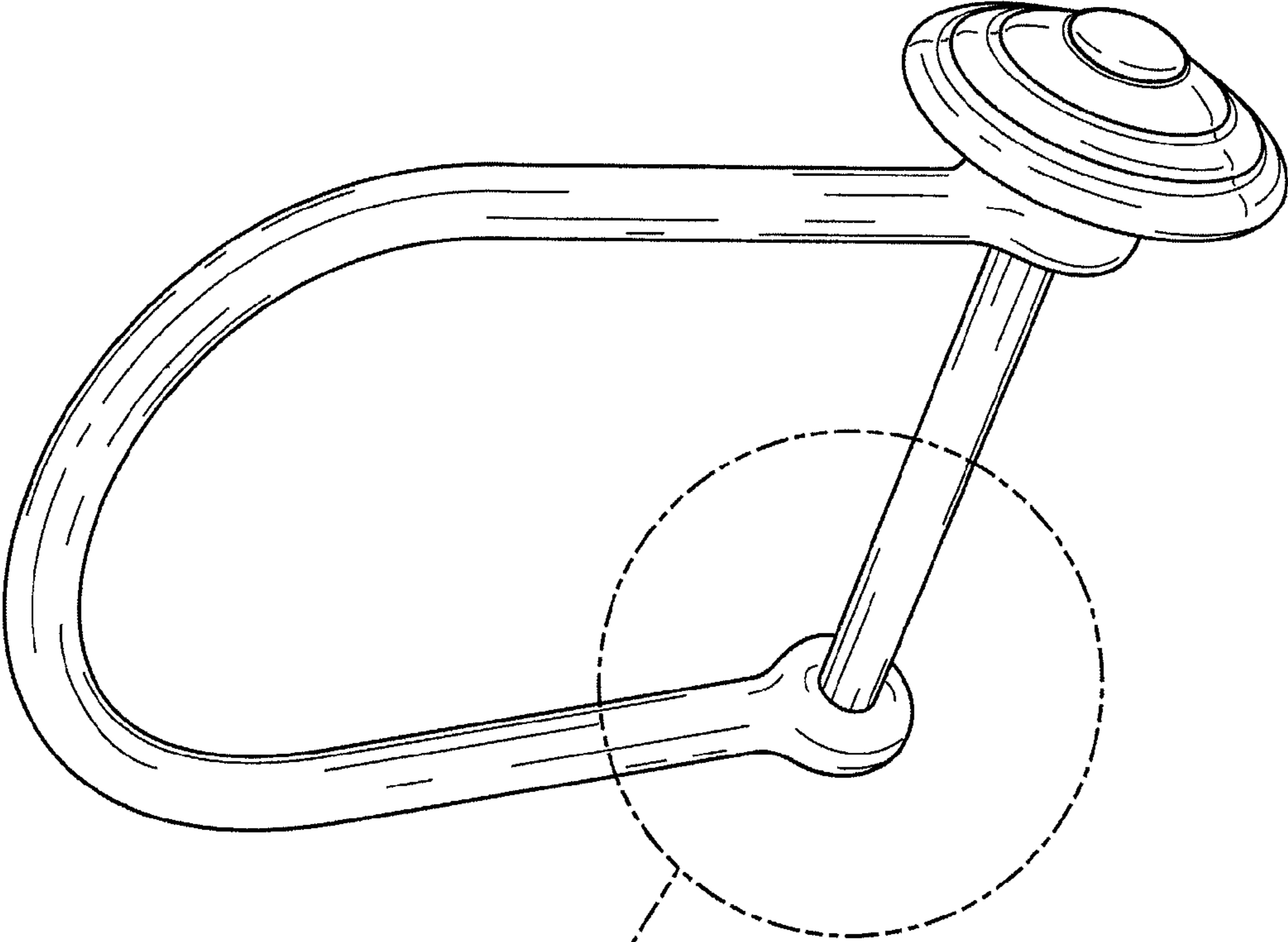


FIG. 7

FIG. 1

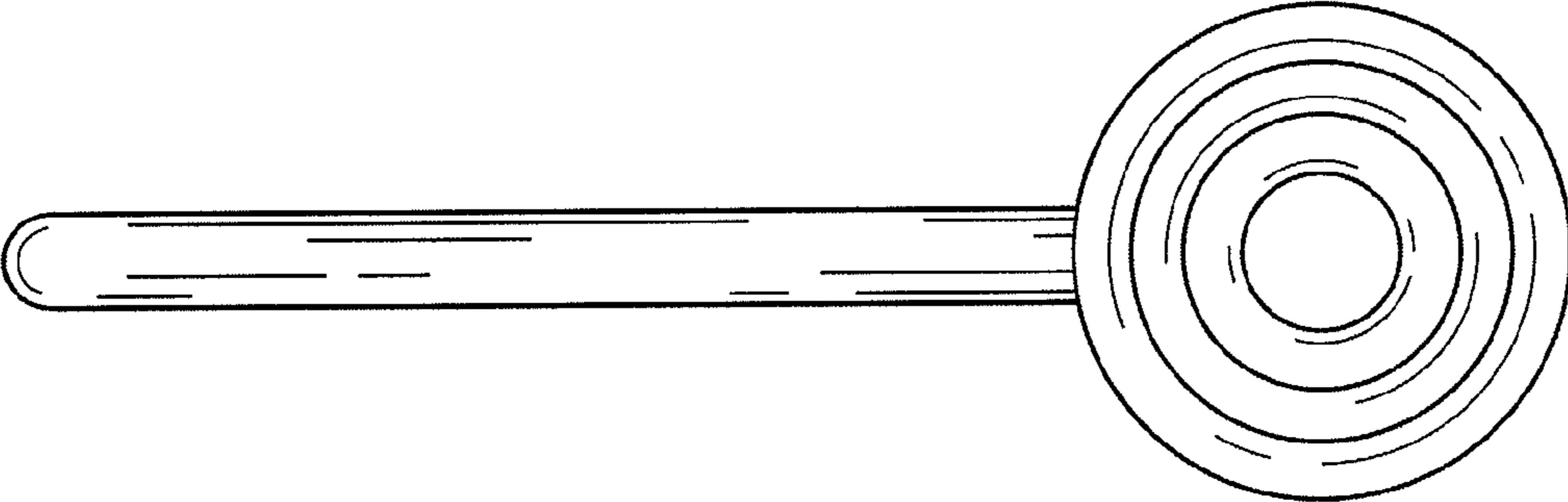


FIG. 2

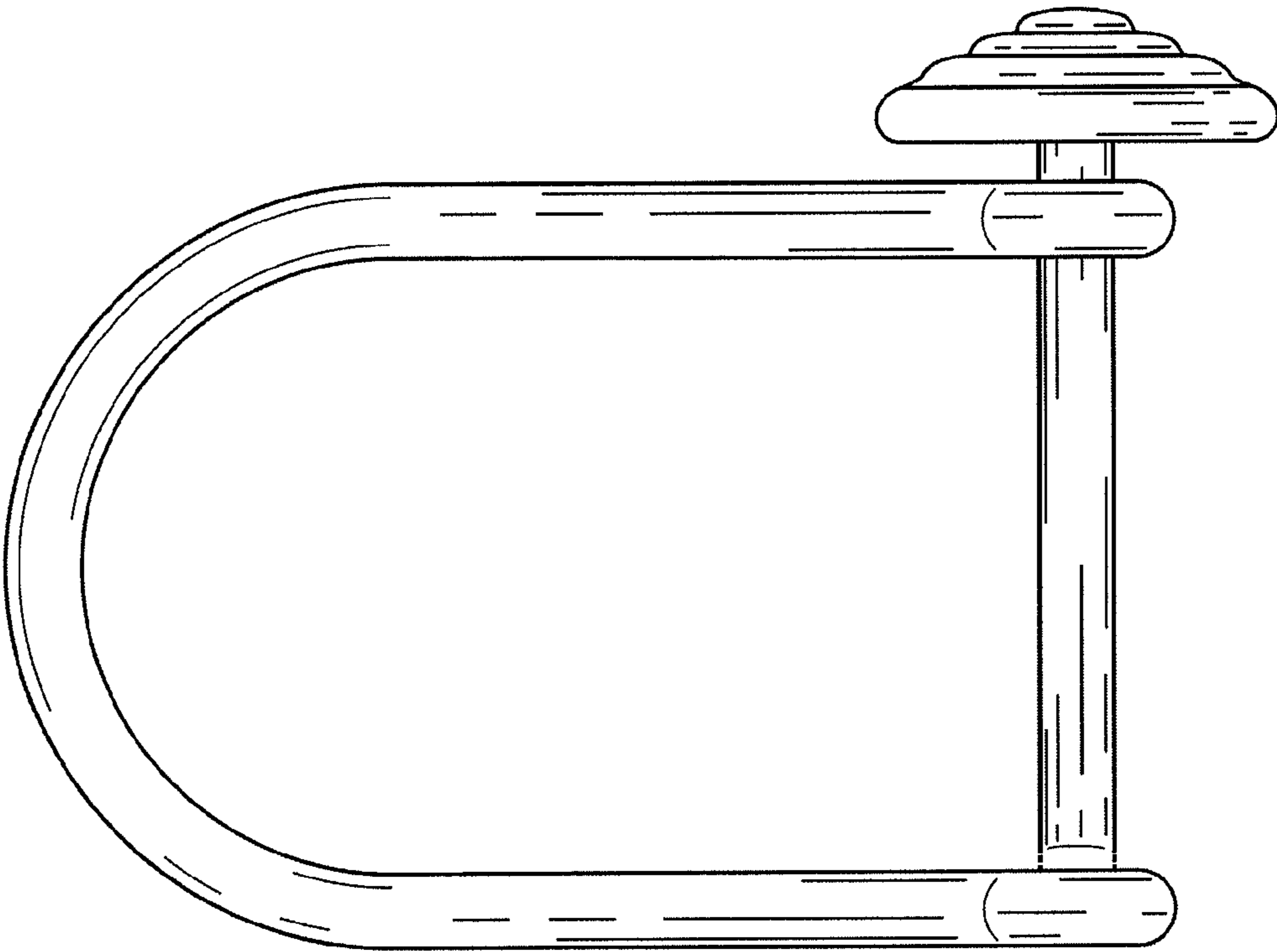


FIG. 3

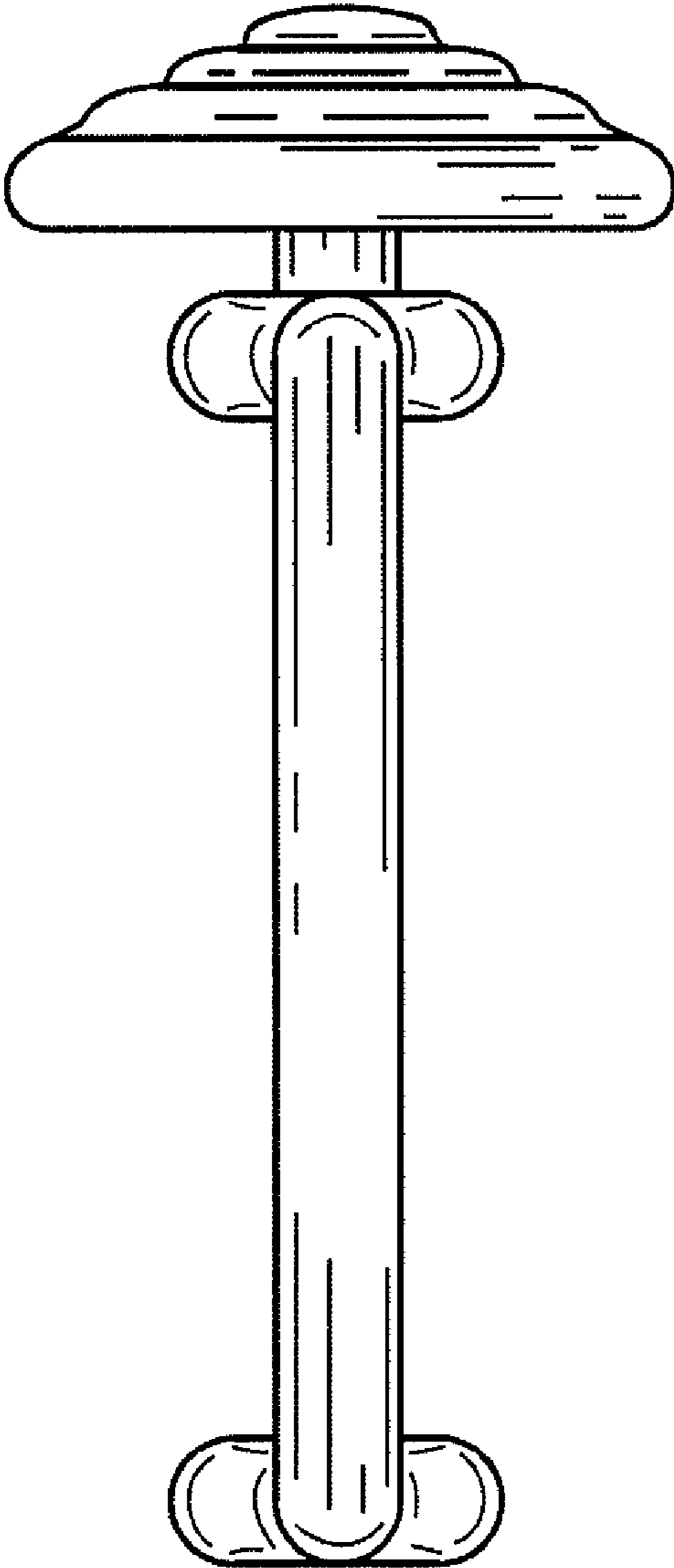


FIG. 4

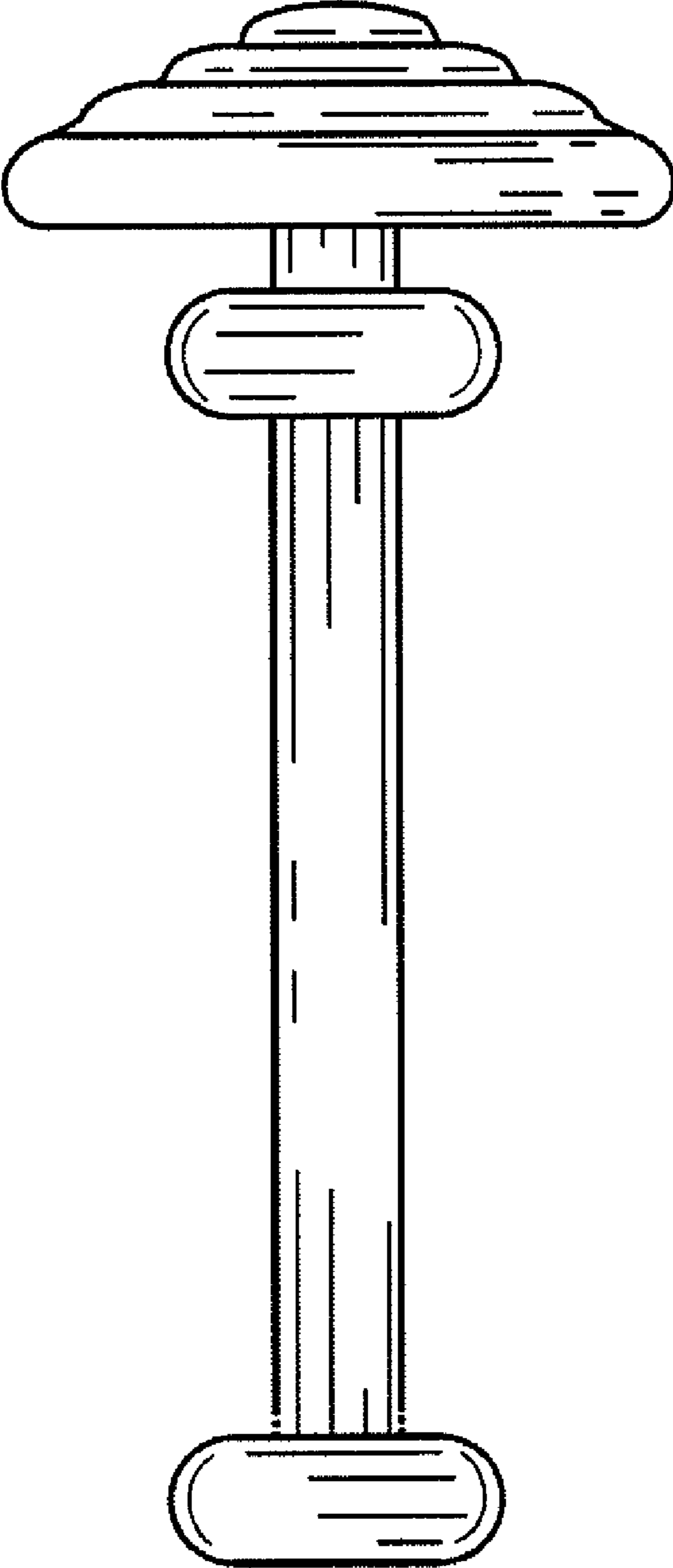


FIG. 5

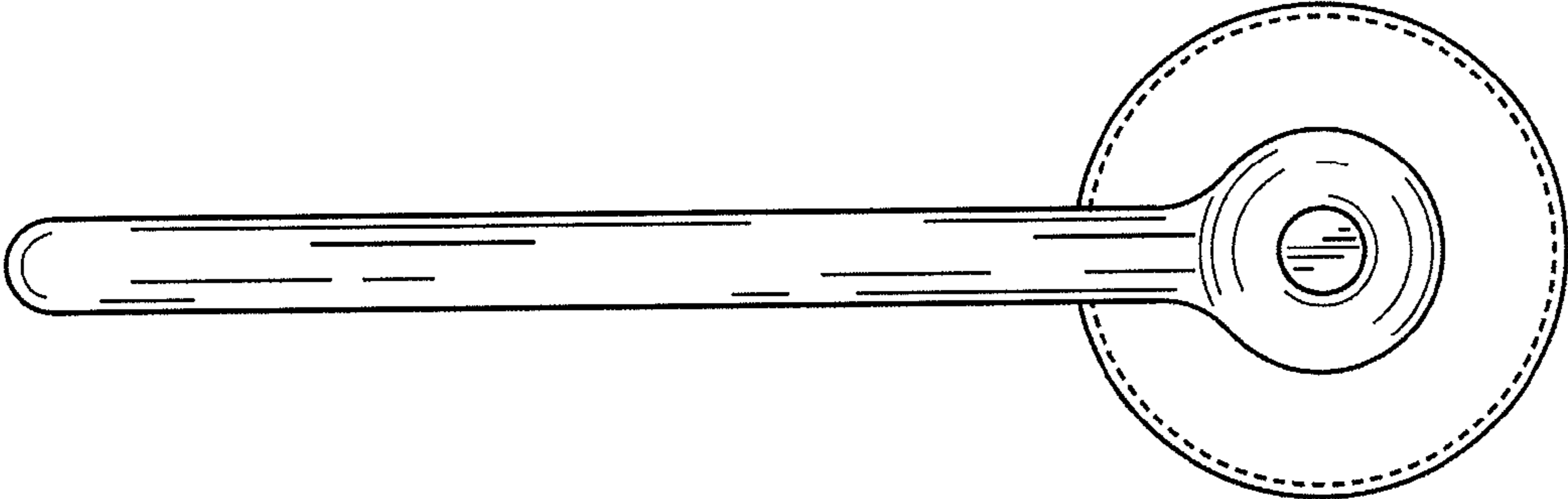


FIG. 6

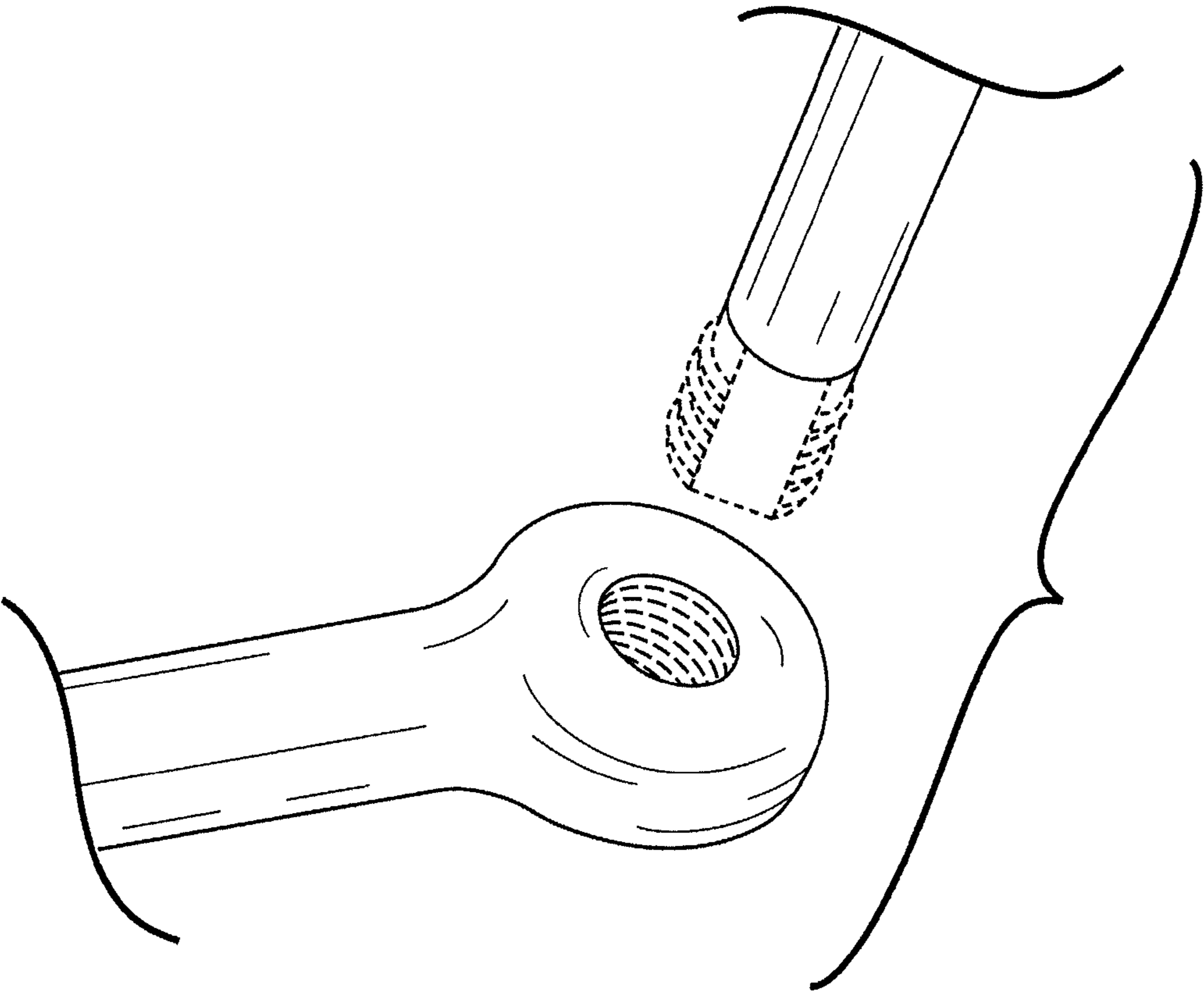


FIG. 7