



US00D625986S

(12) **United States Design Patent**
Kolasa

(10) **Patent No.:** **US D625,986 S**

(45) **Date of Patent:** **** Oct. 26, 2010**

(54) **CORD LOCK WITH HOOK**

(75) Inventor: **Scott D. Kolasa**, Mount Prospect, IL
(US)

(73) Assignee: **Illinois Tool Works Inc.**, Glenview, IL
(US)

(**) Term: **14 Years**

(21) Appl. No.: **29/355,987**

(22) Filed: **Feb. 18, 2010**

(51) **LOC (9) Cl.** **08-05**

(52) **U.S. Cl.** **D8/356**

(58) **Field of Classification Search** D8/105,
D8/107, 333, 349, 354, 356, 358, 360, 360.1,
D8/367, 372, 373, 382, 383, 394-396, 400;
D13/133, 139.4, 153, 155; 24/18, 20 W,
24/23 W, 115 R, 129 C, 130, 131 R, 197,
24/561; 52/220.7; 174/135, 153 G, 650,
174/656; 211/86.01, 87.01, 94.01; 242/400.1,
242/405.1, 405.2, 600, 603; 248/65, 74.1-74.4,
248/201, 214, 215, 229.26; 114/114
See application file for complete search history.

(56) **References Cited**

U.S. PATENT DOCUMENTS

1,649,654	A *	11/1927	Benson	24/115	R
2,595,806	A *	5/1952	Morris	24/129	R
2,759,234	A *	8/1956	Brawand	24/115	R
2,793,066	A *	5/1957	Rue	294/82.14	
2,992,465	A *	7/1961	Gale	294/82.14	
3,058,184	A *	10/1962	Ritzheimer	24/115	R
4,150,906	A *	4/1979	Bernard	403/213	
D262,816	S *	1/1982	Radocy	D21/777	
D284,933	S *	8/1986	Murphy	D8/382	
D296,298	S *	6/1988	Hill	D8/354	

4,998,327	A *	3/1991	Hull et al.	24/134	R
D346,734	S *	5/1994	Rohr	D8/349	
5,979,840	A *	11/1999	Hollister et al.	248/76	
D449,221	S *	10/2001	Hsieh	D8/373	
D472,452	S *	4/2003	Chou	D8/367	
D525,861	S *	8/2006	Mackey et al.	D6/367	
D563,782	S *	3/2008	Benson et al.	D9/436	
D583,654	S *	12/2008	Uehara	D8/367	
D604,148	S *	11/2009	Clarke	D8/356	
D604,199	S	11/2009	Kolasa			
D604,594	S *	11/2009	Lin	D8/367	
D608,187	S *	1/2010	Baron	D8/367	

* cited by examiner

Primary Examiner—Robert M Spear

Assistant Examiner—Karen Acker

(74) *Attorney, Agent, or Firm*—Mark W. Croll; Paul F. Donovan

(57) **CLAIM**

The ornamental design for a cord lock with hook, as shown and described.

DESCRIPTION

FIG. 1 is a perspective view of a cord lock with hook showing the new design;

FIG. 2 is a front view thereof;

FIG. 3 is a back view thereof;

FIG. 4 is a right side view thereof;

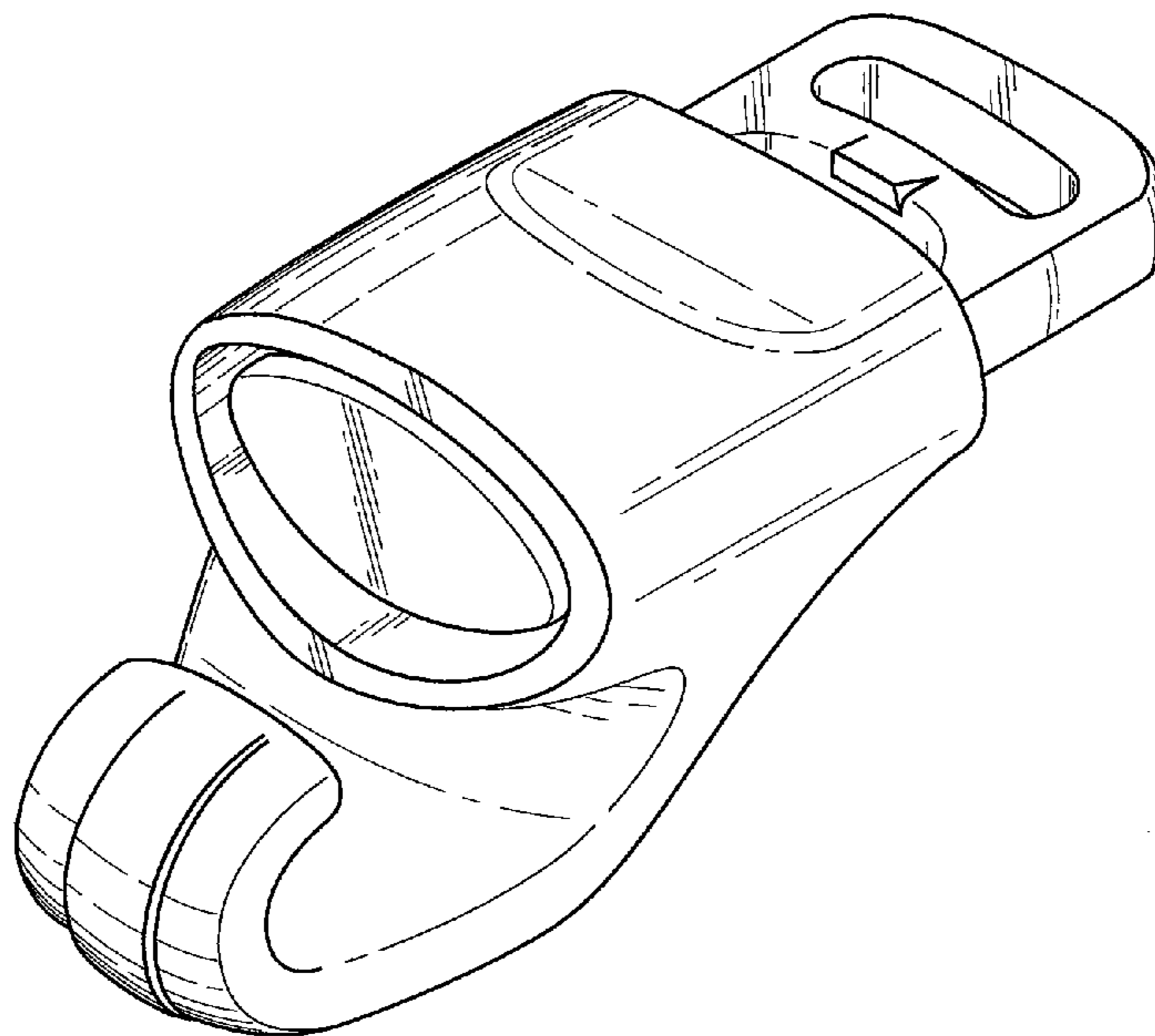
FIG. 5 is a left side view thereof;

FIG. 6 is a bottom view thereof; and,

FIG. 7 is a top view thereof.

The broken lines in the drawings represent unclaimed environmental subject matter.

1 Claim, 5 Drawing Sheets



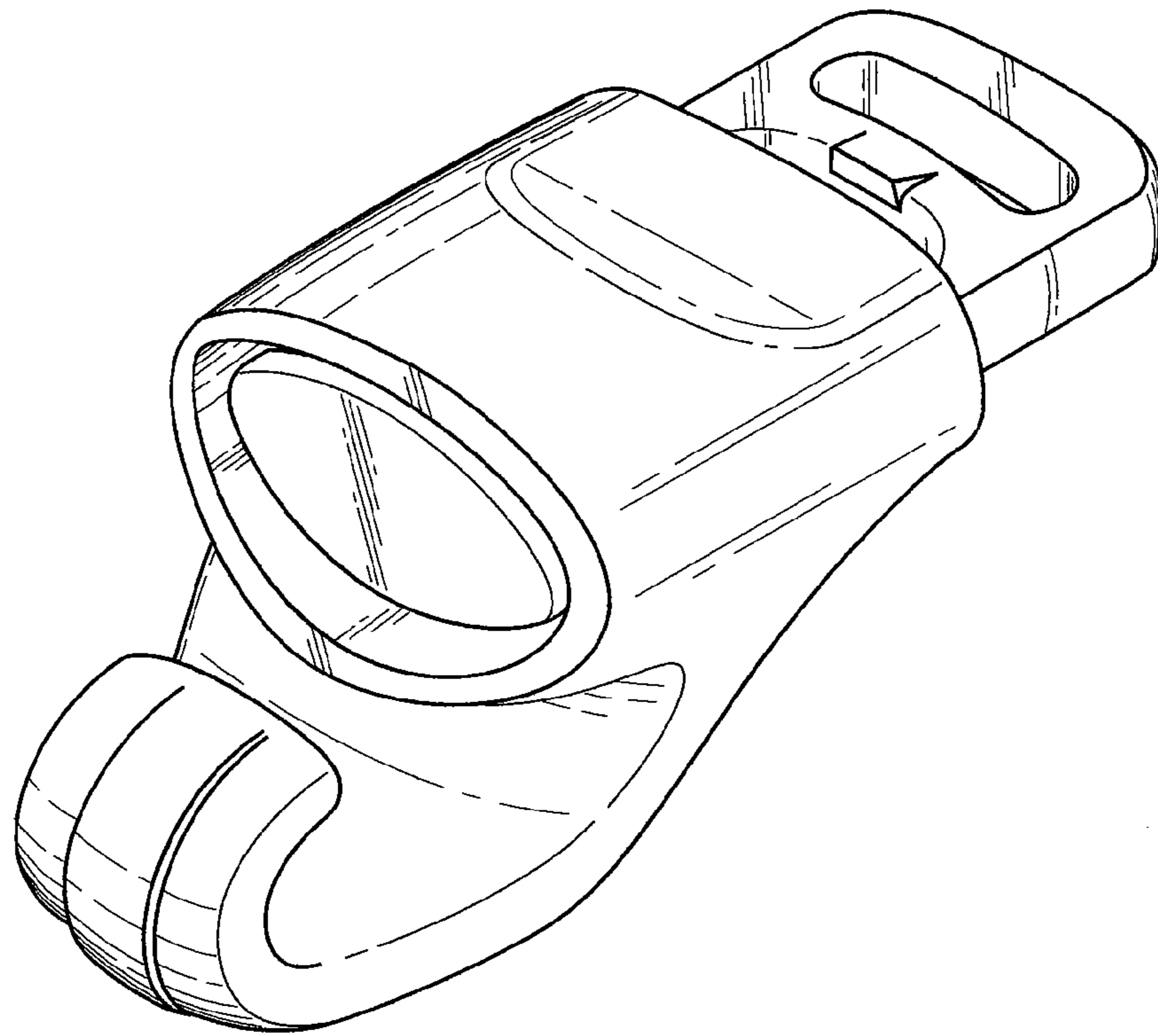


Fig. 1

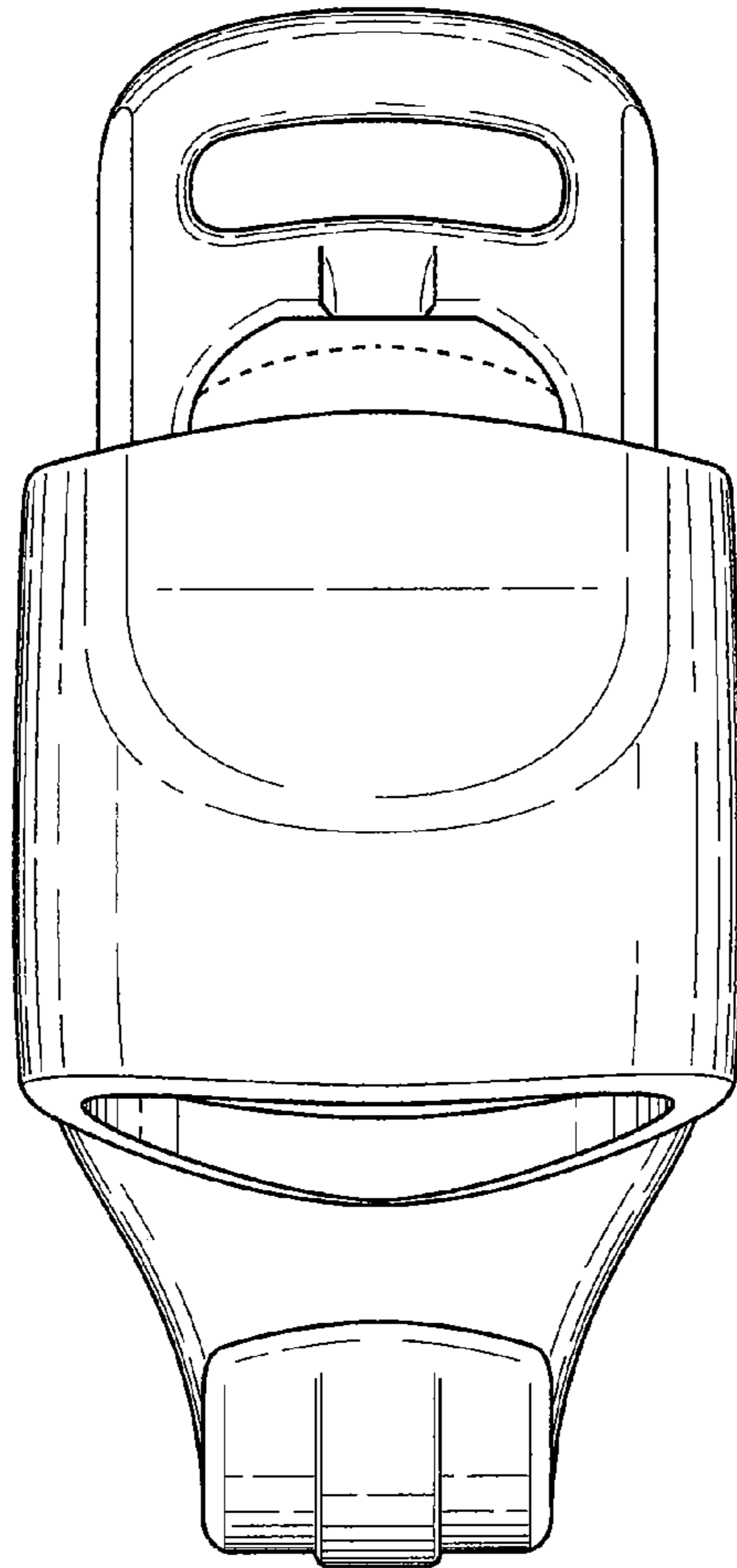


Fig. 2

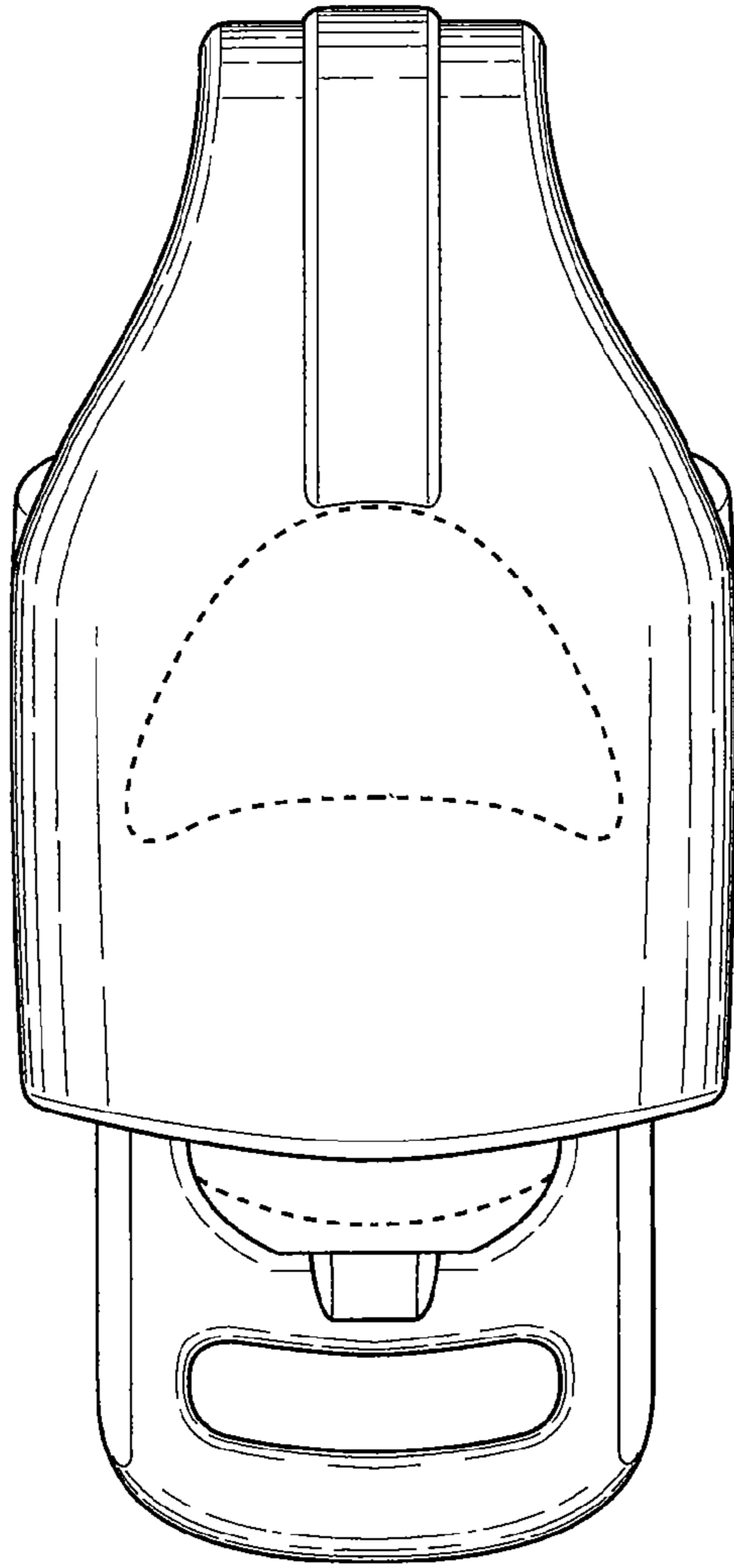


Fig. 3

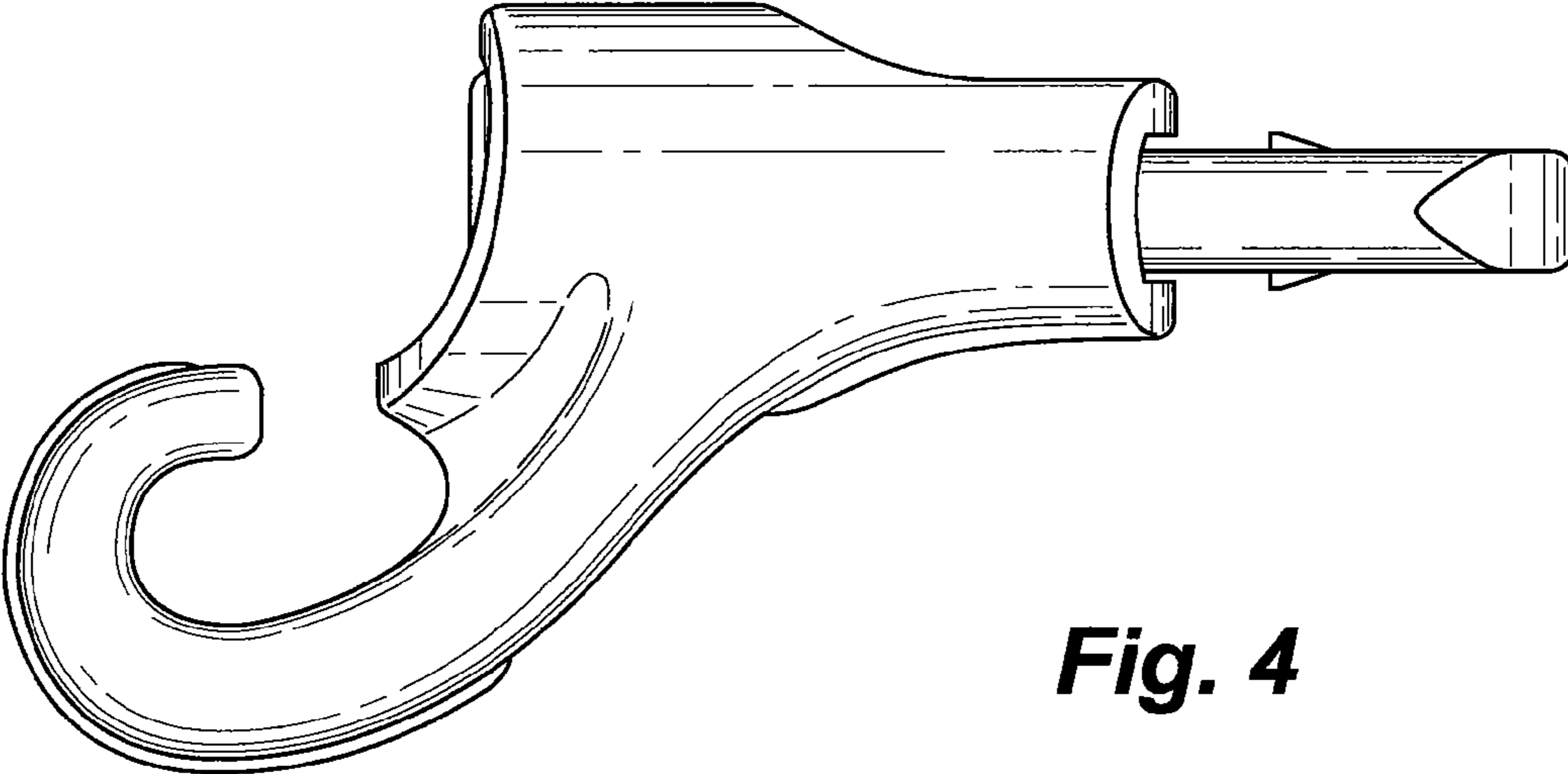


Fig. 4

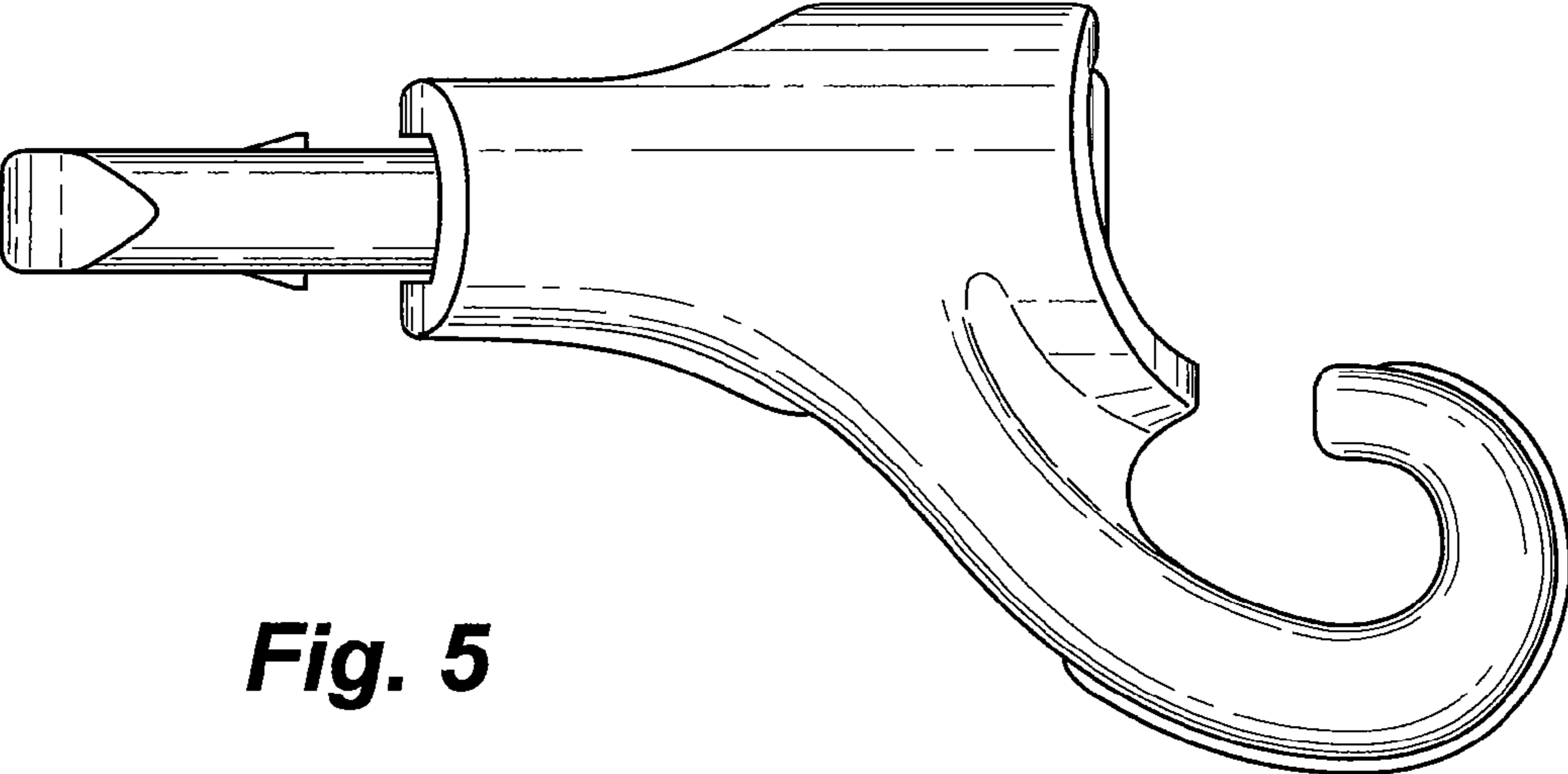


Fig. 5

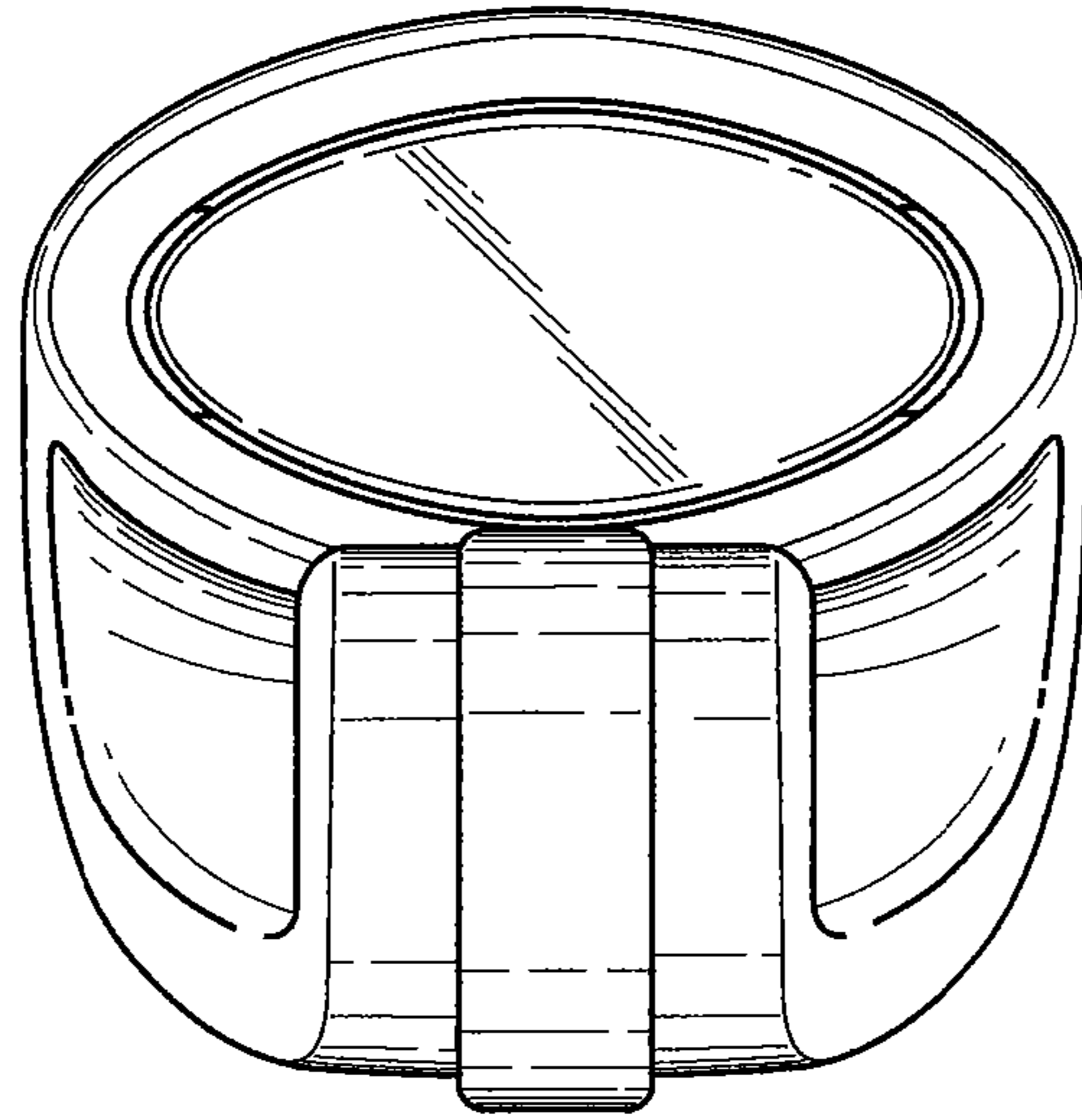


Fig. 6

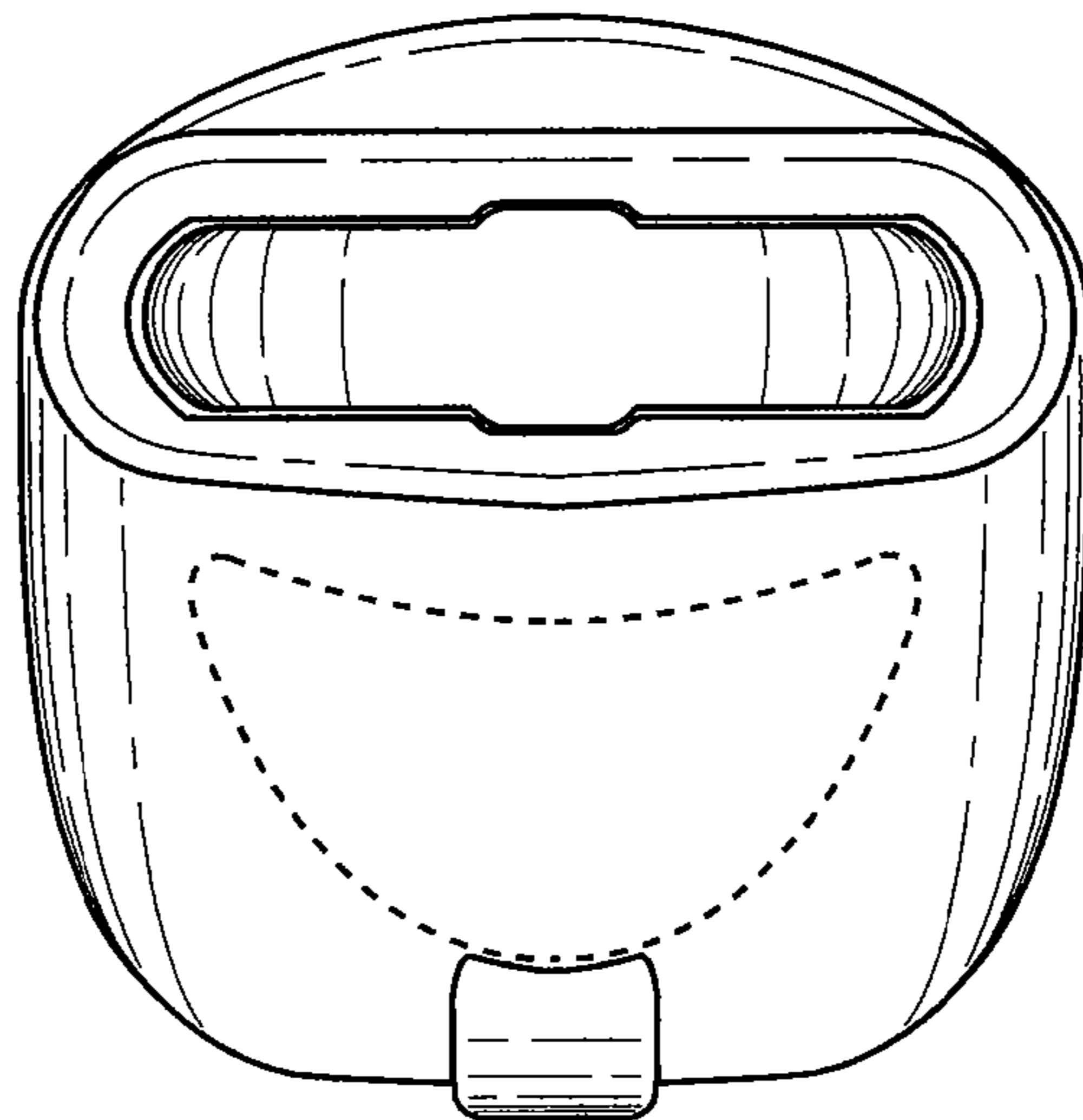


Fig. 7