

US00D625984S

(12) **United States Design Patent**
McGrath

(10) **Patent No.:** **US D625,984 S**

(45) **Date of Patent:** **** Oct. 26, 2010**

(54) **ADJUSTABLE BRACKET**

(57) **CLAIM**

(76) **Inventor:** **Andrew H. McGrath**, 1281 Franquette Ave., Suite A, Concord, CA (US) 94520

The ornamental design for an adjustable bracket, as shown and described.

(**) **Term:** **14 Years**

DESCRIPTION

(21) **Appl. No.:** **29/355,939**

FIG. 1 is a perspective view of an adjustable bracket showing my new design.

(22) **Filed:** **Feb. 17, 2010**

FIG. 2 is a top view of the adjustable bracket of FIG. 1; a bottom view of the adjustable bracket of FIG. 1 is the mirror image of FIG. 2.

(51) **LOC (9) Cl.** **08-05**

(52) **U.S. Cl.** **D8/355**

(58) **Field of Classification Search** D8/349,
D8/354; 248/300; 411/15, 112, 182, 427,
411/510, 531, 546

FIG. 3 is a right side view of the adjustable bracket of FIG. 1.

FIG. 4 is a front view of the adjustable bracket of FIG. 1; a rear view of the adjustable bracket of FIG. 1 is the mirror image of FIG. 4.

See application file for complete search history.

FIG. 5 is a left side view of the adjustable bracket of FIG. 1.

(56) **References Cited**

FIG. 6 is an interior elevation view of the adjustable bracket of FIG. 1 along "Lines 6—6" of FIG. 2.

U.S. PATENT DOCUMENTS

D306,396 S *	3/1990	Brushaber	D8/355
D499,954 S *	12/2004	Brushaber	D8/355
D515,910 S *	2/2006	Gates et al.	D8/354
7,306,458 B1 *	12/2007	Lu	433/16

FIG. 7 is a perspective view of the right portion of the adjustable bracket of FIG. 1 in a sneeze guard hardware environment;

FIG. 8 is a perspective view of an embodiment the adjustable bracket of FIG. 1; and,

* cited by examiner

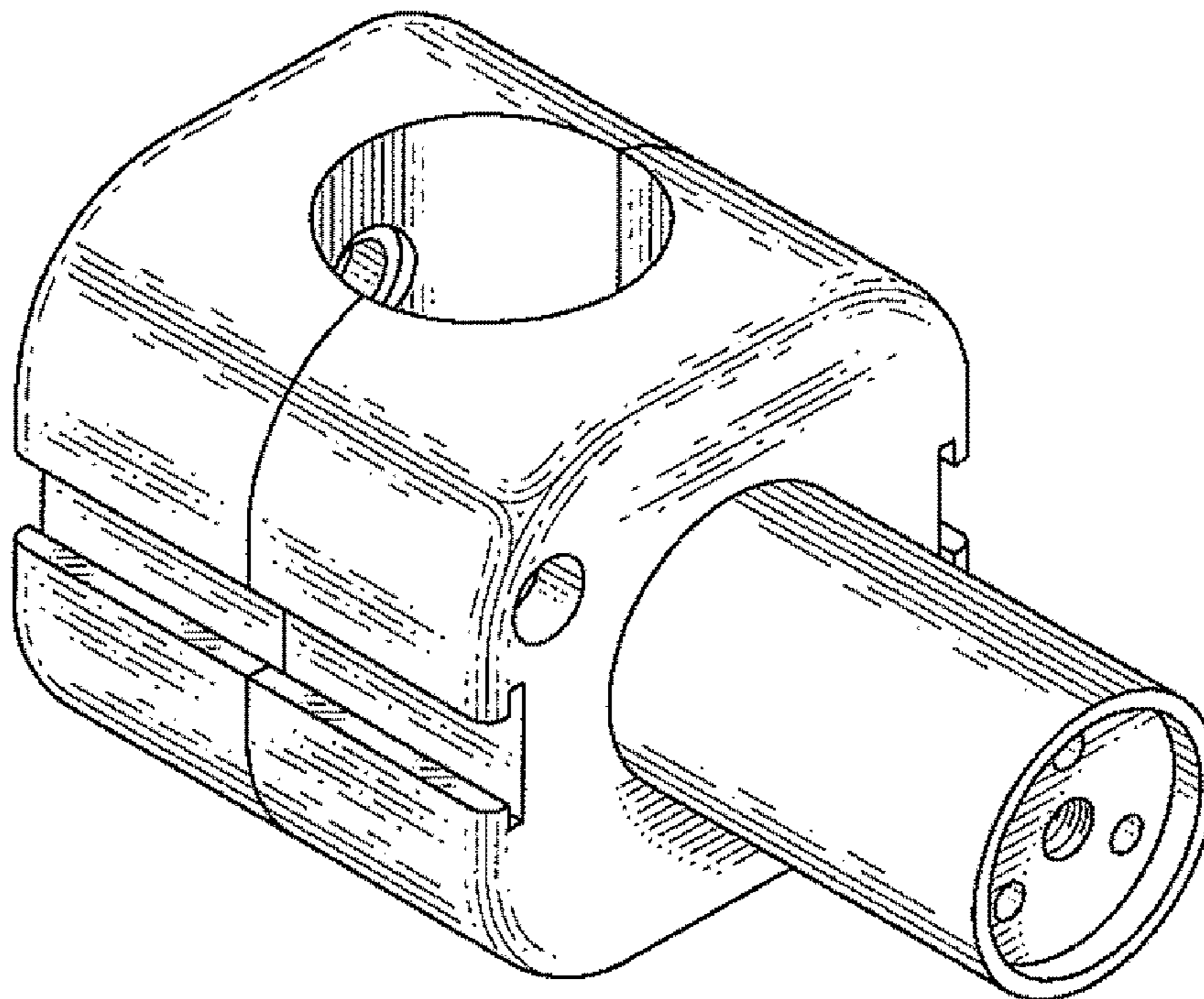
FIG. 9 is an exploded perspective view of an embodiment the adjustable bracket of FIG. 1.

The broken line showing of a partial pole is for illustrative purposes only and forms no part of the claimed design.

Primary Examiner—Holly H Baynham

(74) *Attorney, Agent, or Firm*—Charles L. Thoeming

1 Claim, 2 Drawing Sheets



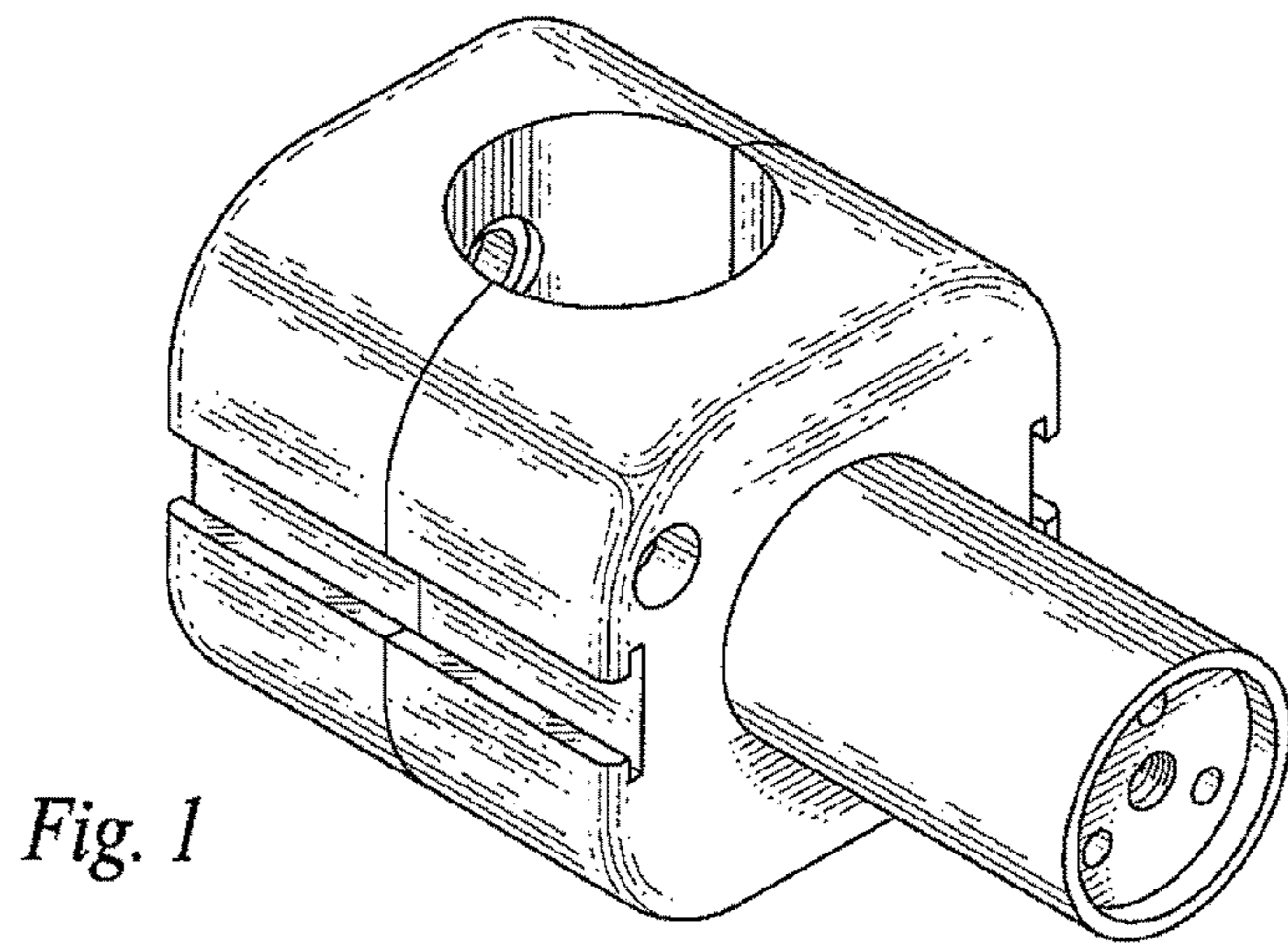


Fig. 1

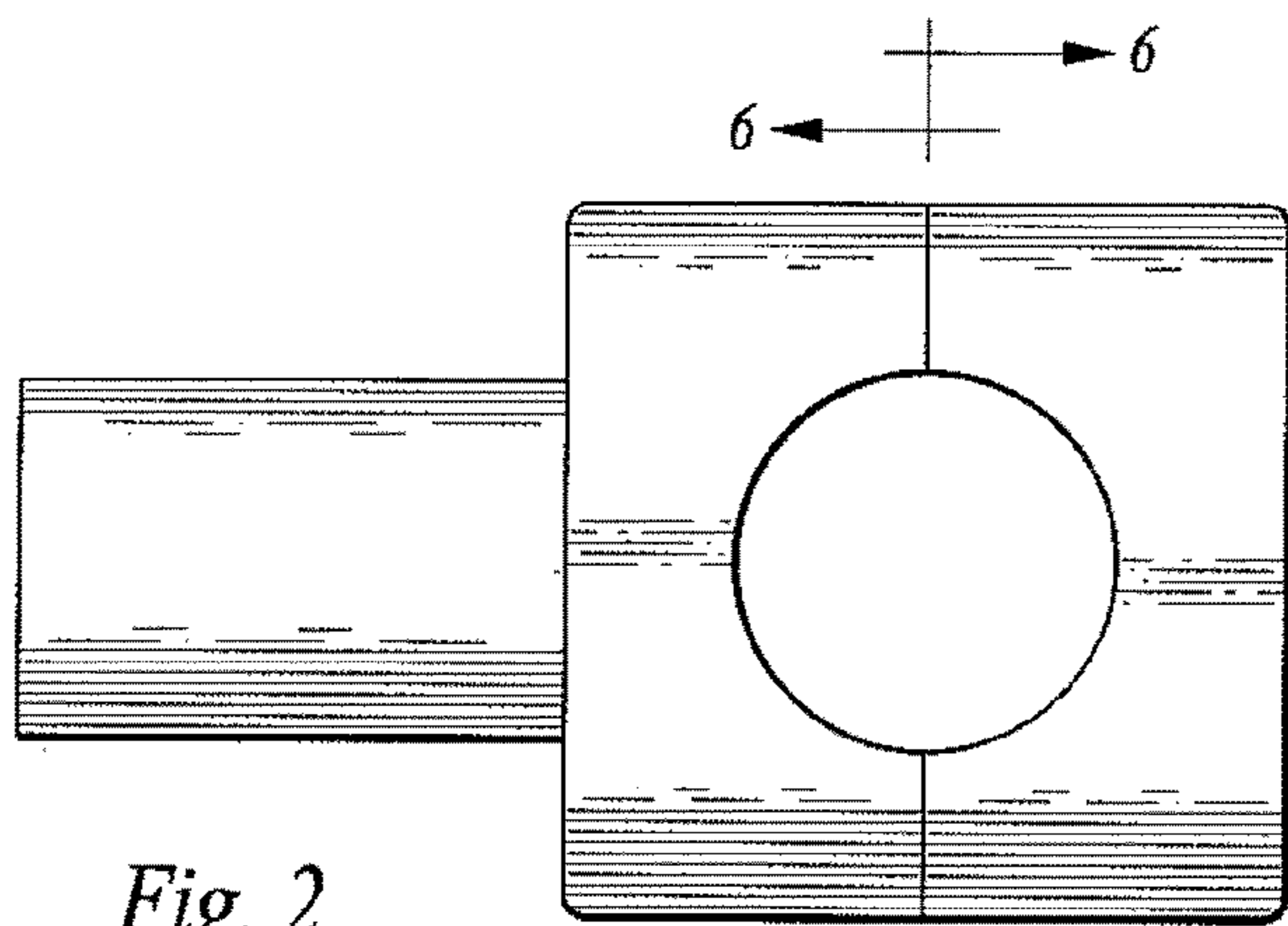


Fig. 2

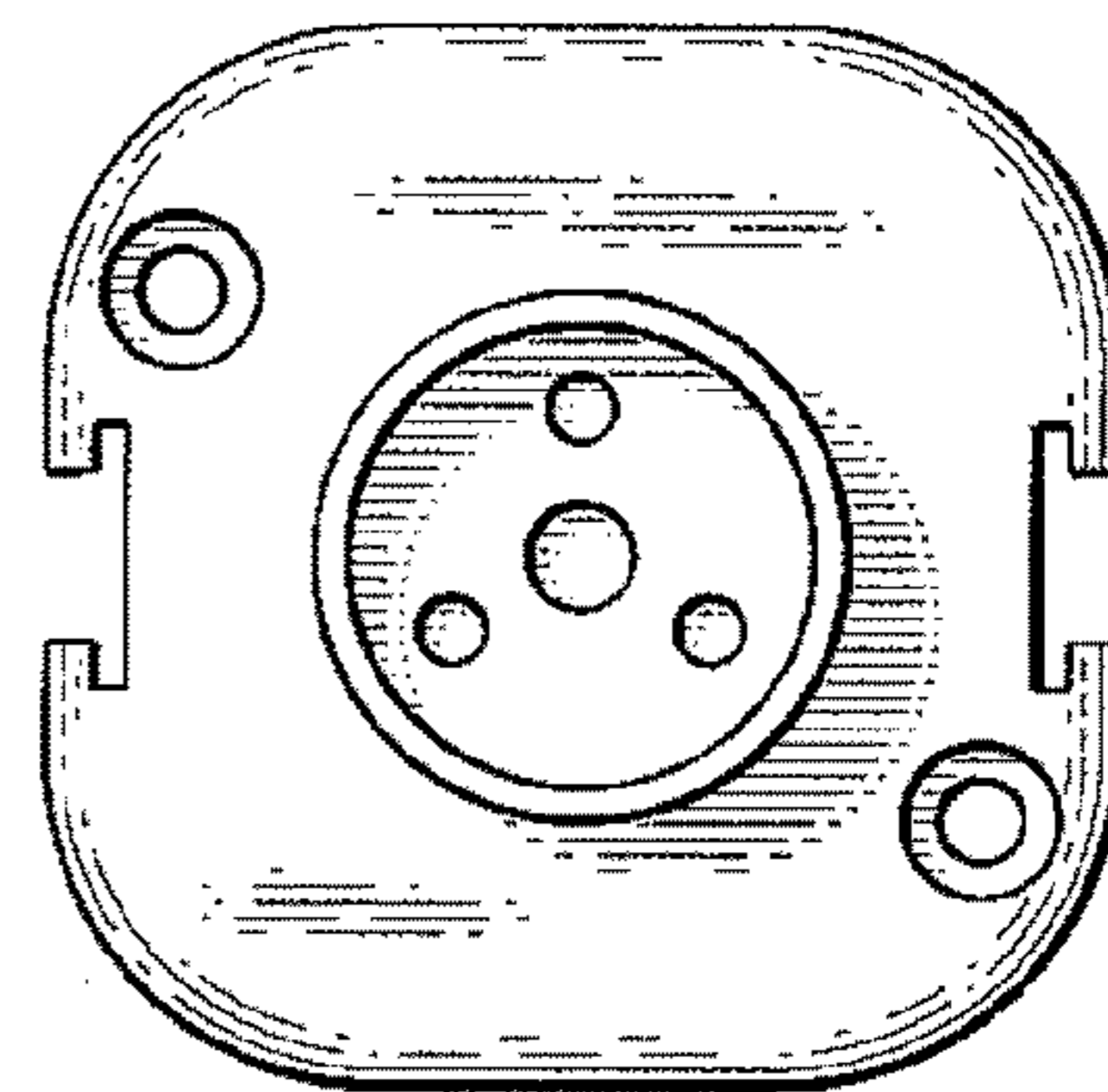


Fig. 3

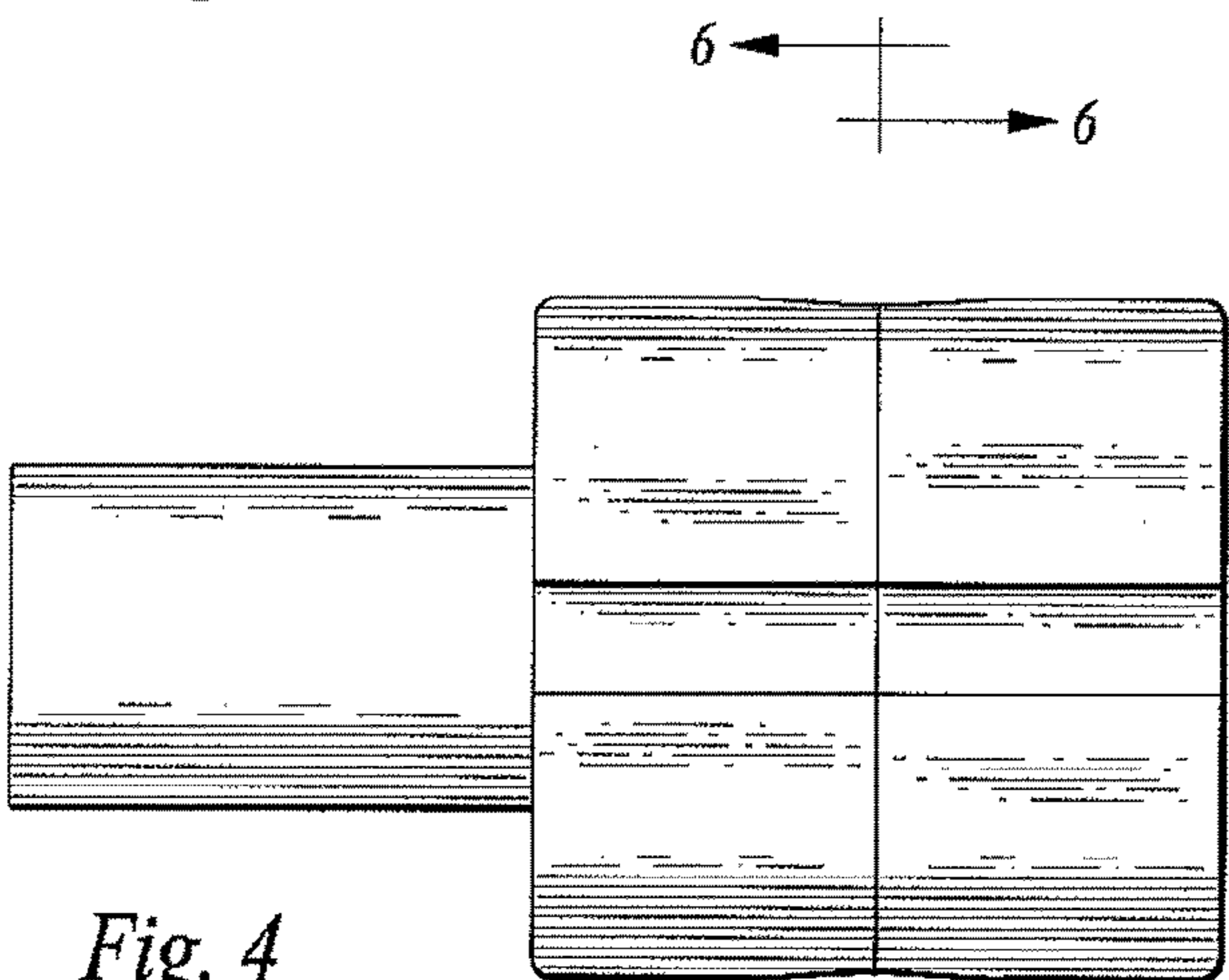


Fig. 4

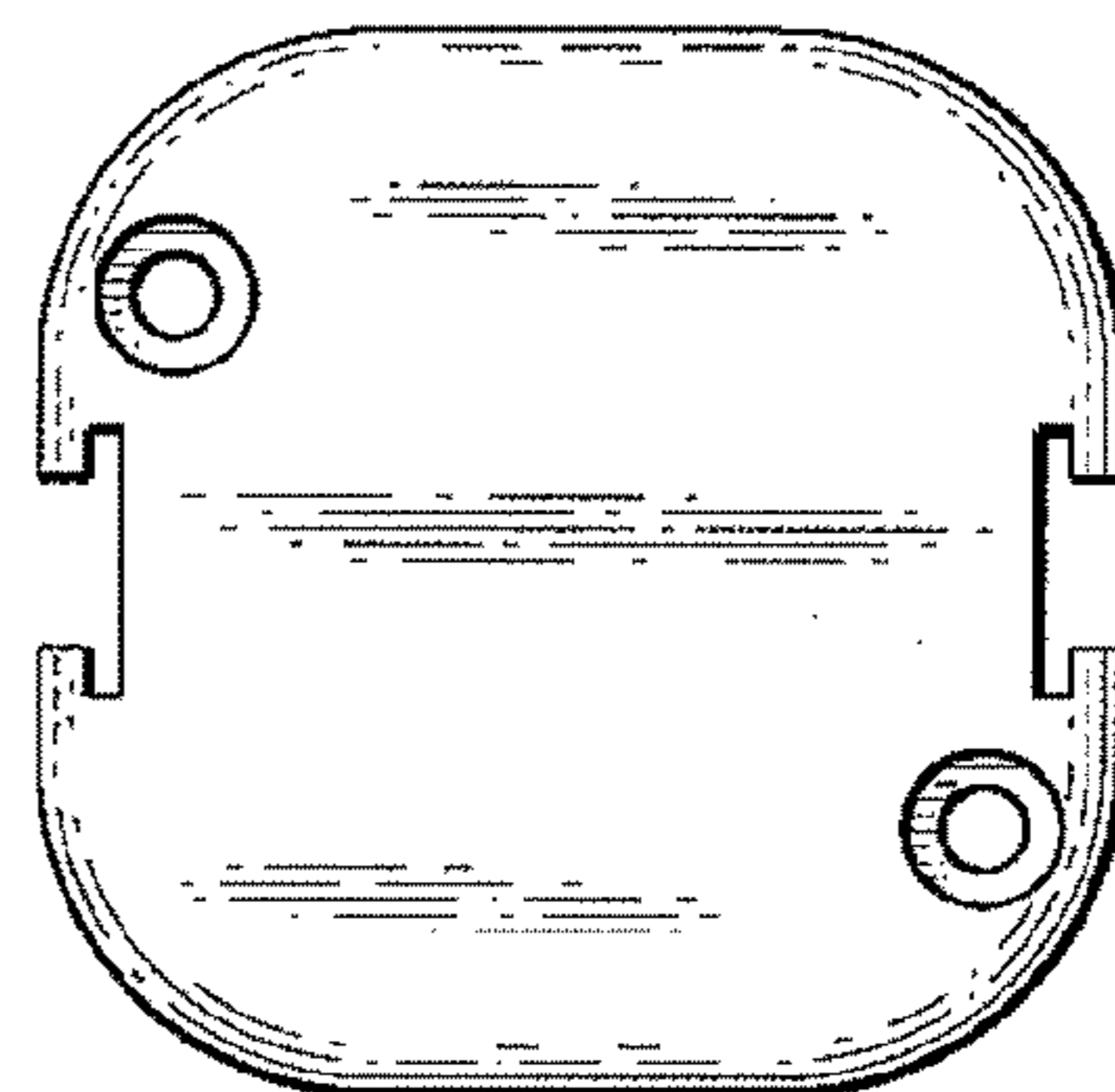


Fig. 5

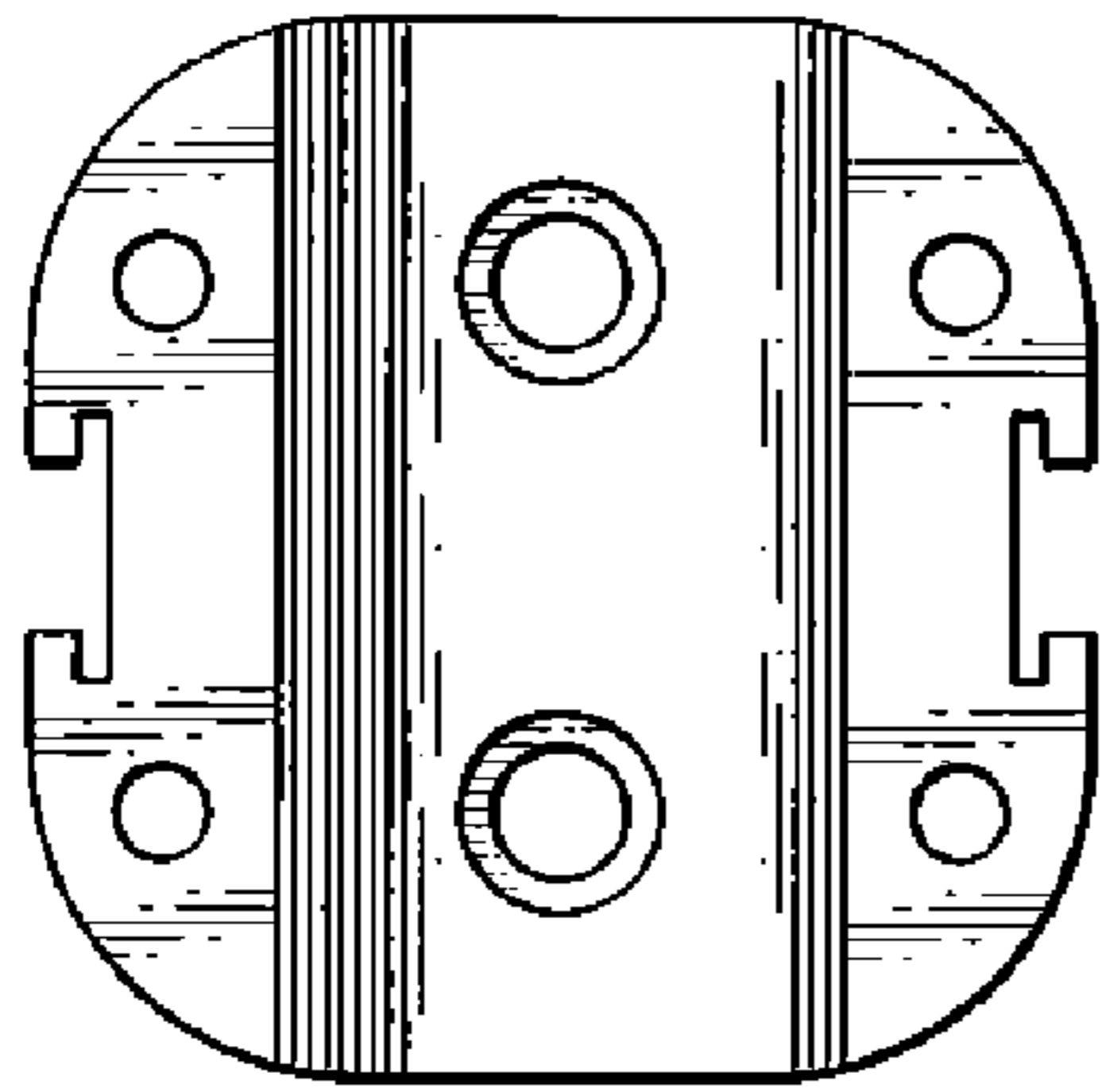


Fig. 6

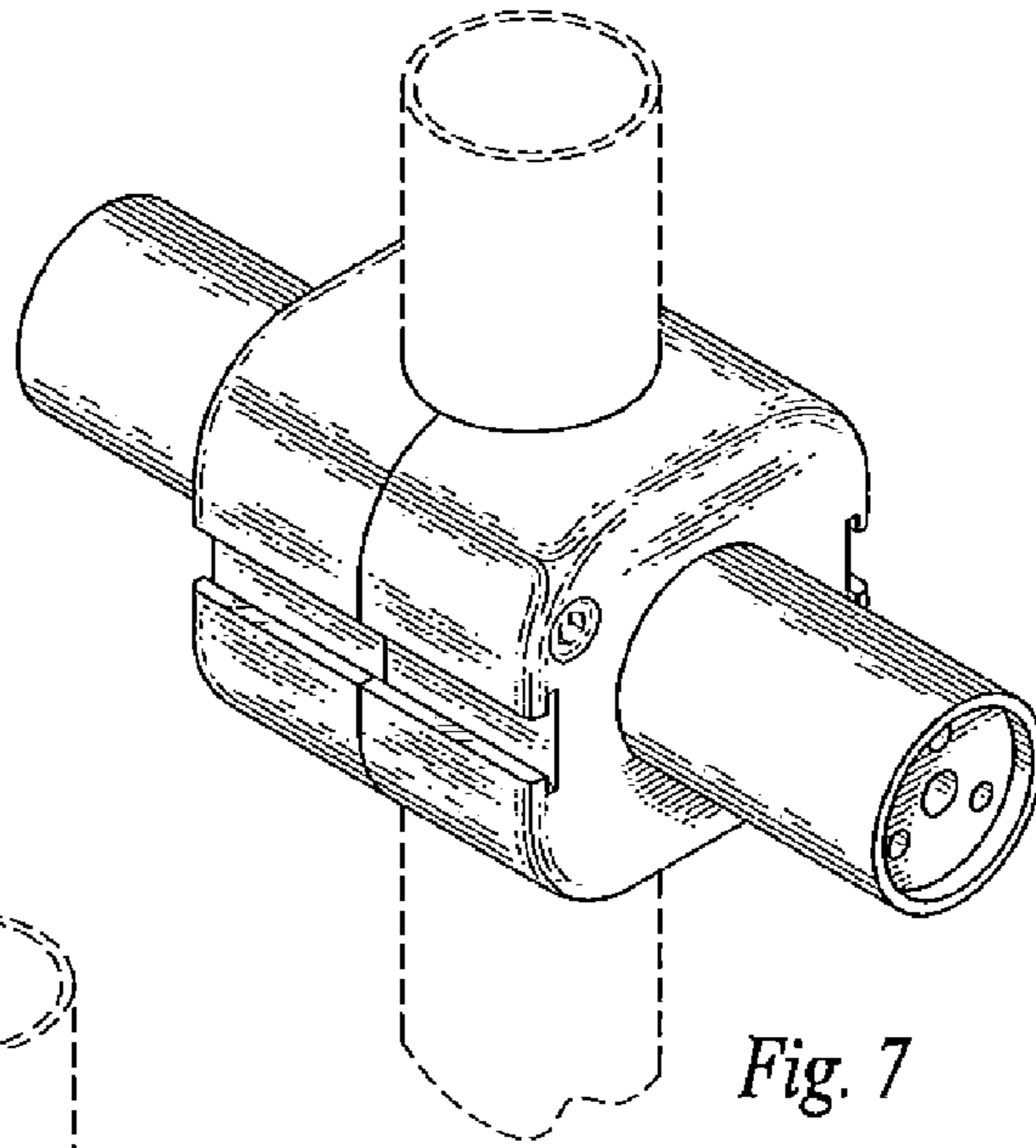


Fig. 7

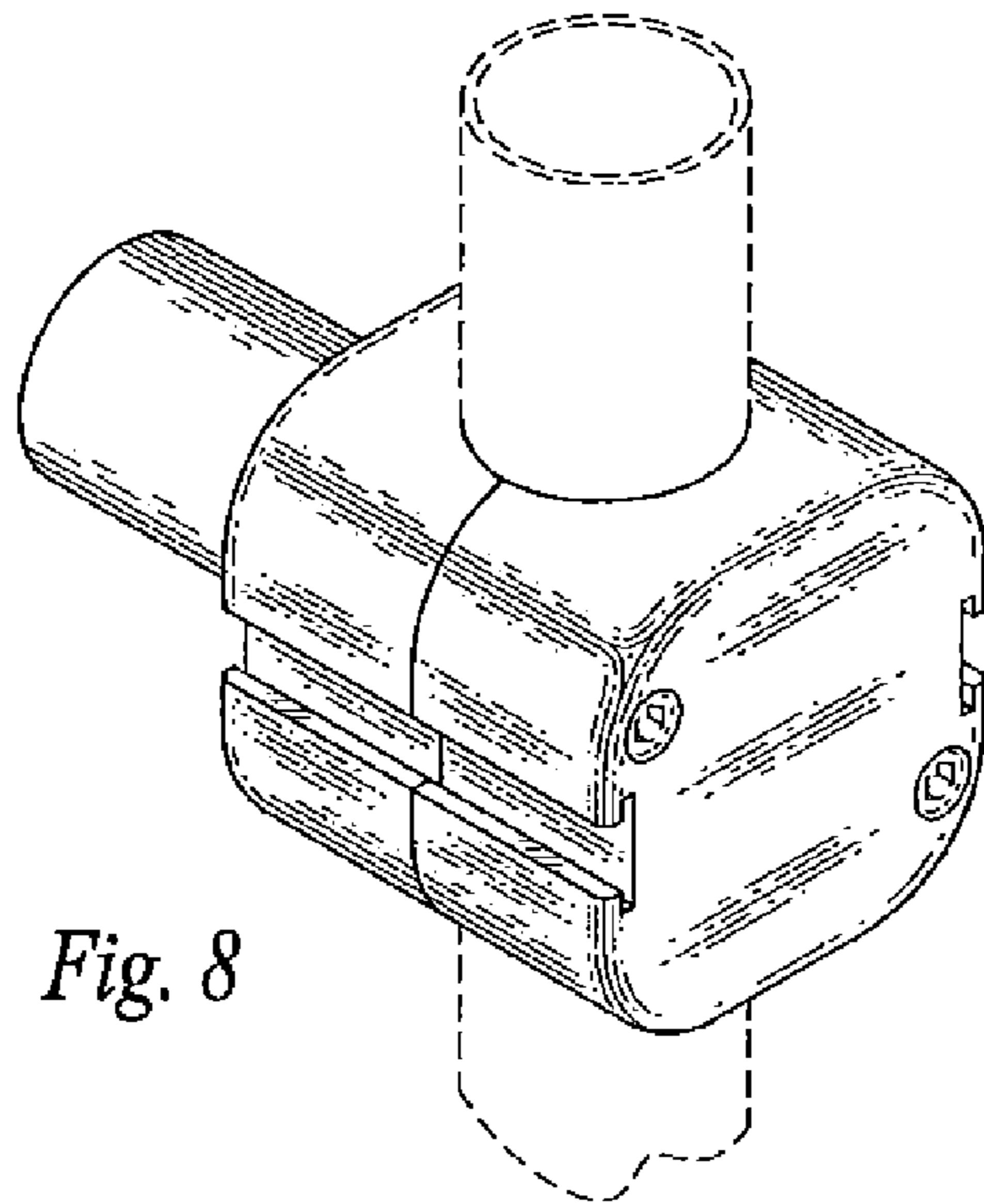


Fig. 8

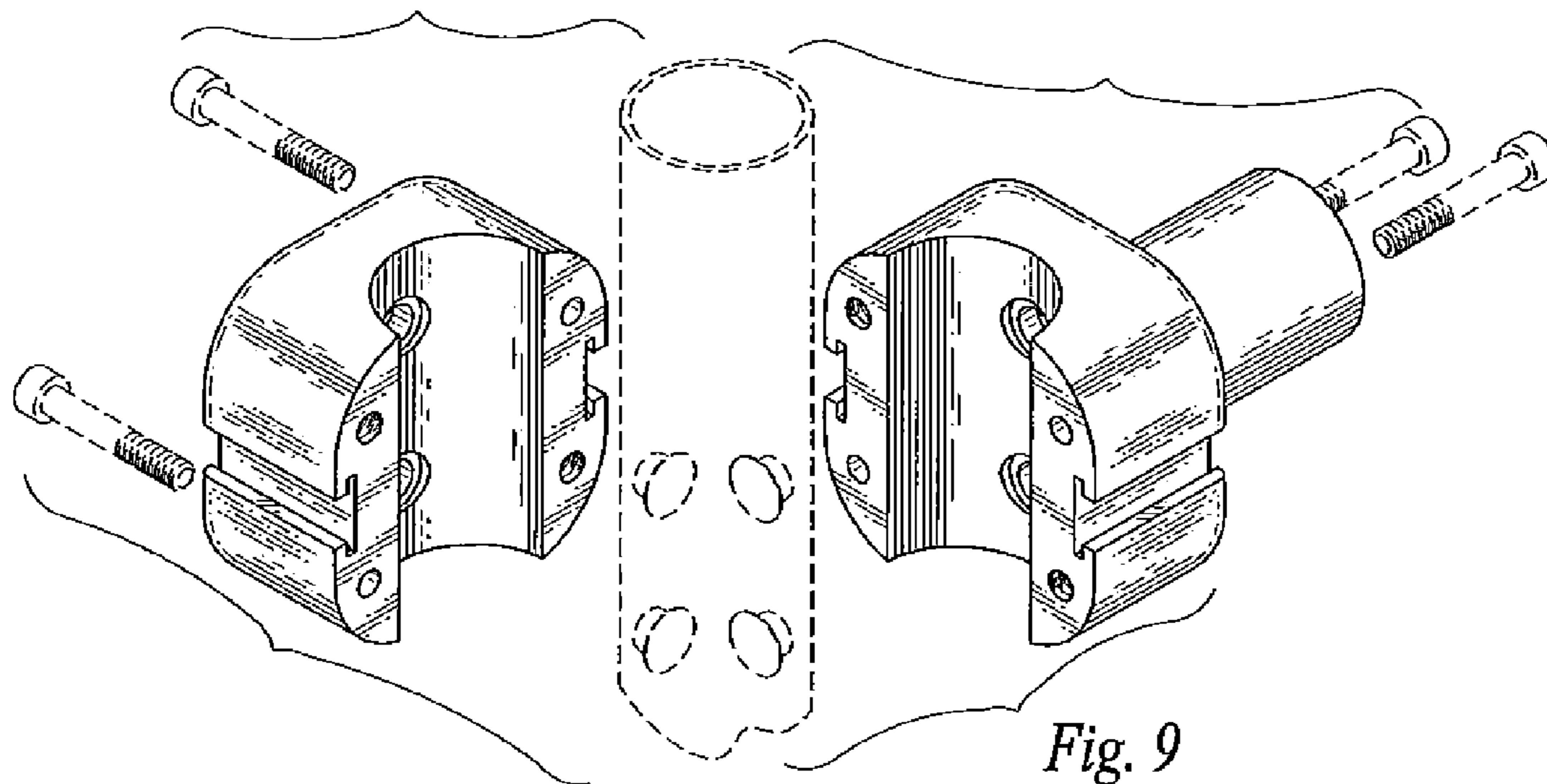


Fig. 9