



US00D625980S

(12) **United States Design Patent**
Liu

(10) **Patent No.:** **US D625,980 S**
(45) **Date of Patent:** **** Oct. 26, 2010**

(54) **TERMINAL CRIMPING PLIERS**

(75) Inventor: **Jen Kai Liu, Taipei (TW)**

(73) Assignee: **Jetool Corp., Taipei (TW)**

(**) Term: **14 Years**

(21) Appl. No.: **29/358,576**

(22) Filed: **Mar. 29, 2010**

(51) **LOC (9) Cl.** **08-05**

(52) **U.S. Cl.** **D8/56**

(58) **Field of Classification Search** D8/1,
D8/4, 5, 14, 51-56, 58-60, 105-107, 98;
29/747-754, 758; 81/300, 302, 318-338,
81/342, 351, 415-424, 424.5, 426, 426.5,
81/427, 427.5

See application file for complete search history.

(56) **References Cited**

U.S. PATENT DOCUMENTS

D179,678	S *	2/1957	Demler	D8/52
4,480,374	A *	11/1984	Meyer	29/566.4
D278,876	S *	5/1985	Meyer	D8/52
4,713,874	A *	12/1987	Schwartz	29/751
4,862,580	A *	9/1989	Wang et al.	29/751
5,042,286	A *	8/1991	Wiebe et al.	29/751
5,109,591	A *	5/1992	Hung	29/751
5,168,592	A *	12/1992	Jee	7/107
5,992,002	A *	11/1999	Hung	29/751
6,173,466	B1 *	1/2001	Chen	7/107
6,230,387	B1 *	5/2001	Gritters et al.	29/751
6,293,004	B1 *	9/2001	Holliday	29/751
6,591,487	B2 *	7/2003	Chang	29/751
6,637,060	B2 *	10/2003	Lu	7/107

6,708,396	B2 *	3/2004	Holliday	29/751
6,732,393	B1 *	5/2004	Liao	81/313
6,968,726	B2 *	11/2005	Wang	29/751
7,120,997	B2 *	10/2006	Islam et al.	29/751
7,299,542	B2 *	11/2007	Montena	29/751
7,299,543	B2 *	11/2007	Montena	29/751
7,308,815	B2 *	12/2007	Chen	29/751
D594,722	S *	6/2009	Hedrick et al.	D8/56
7,594,315	B2 *	9/2009	Montena	29/751
2006/0021216	A1 *	2/2006	Islam et al.	29/751

* cited by examiner

Primary Examiner—Cathron C Brooks
Assistant Examiner—Deanna Fluegeman

(57) **CLAIM**

The ornamental design for a terminal crimping pliers, as shown and described.

DESCRIPTION

FIG. 1 is a perspective view of a terminal crimping pliers showing my new design;

FIG. 2 is a front end view thereof;

FIG. 3 is a rear end view thereof;

FIG. 4 is a left side view thereof;

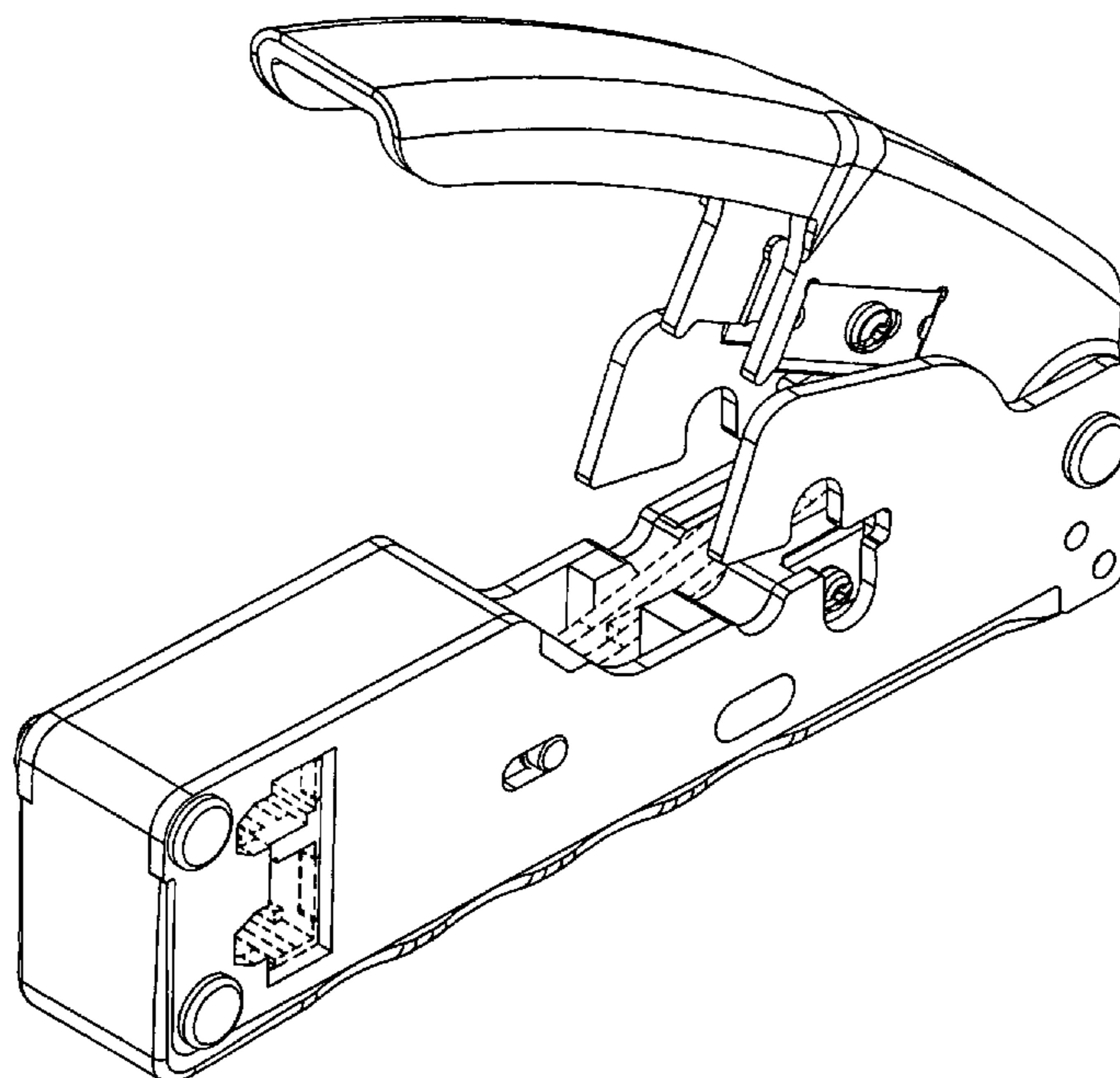
FIG. 5 is a right side view thereof;

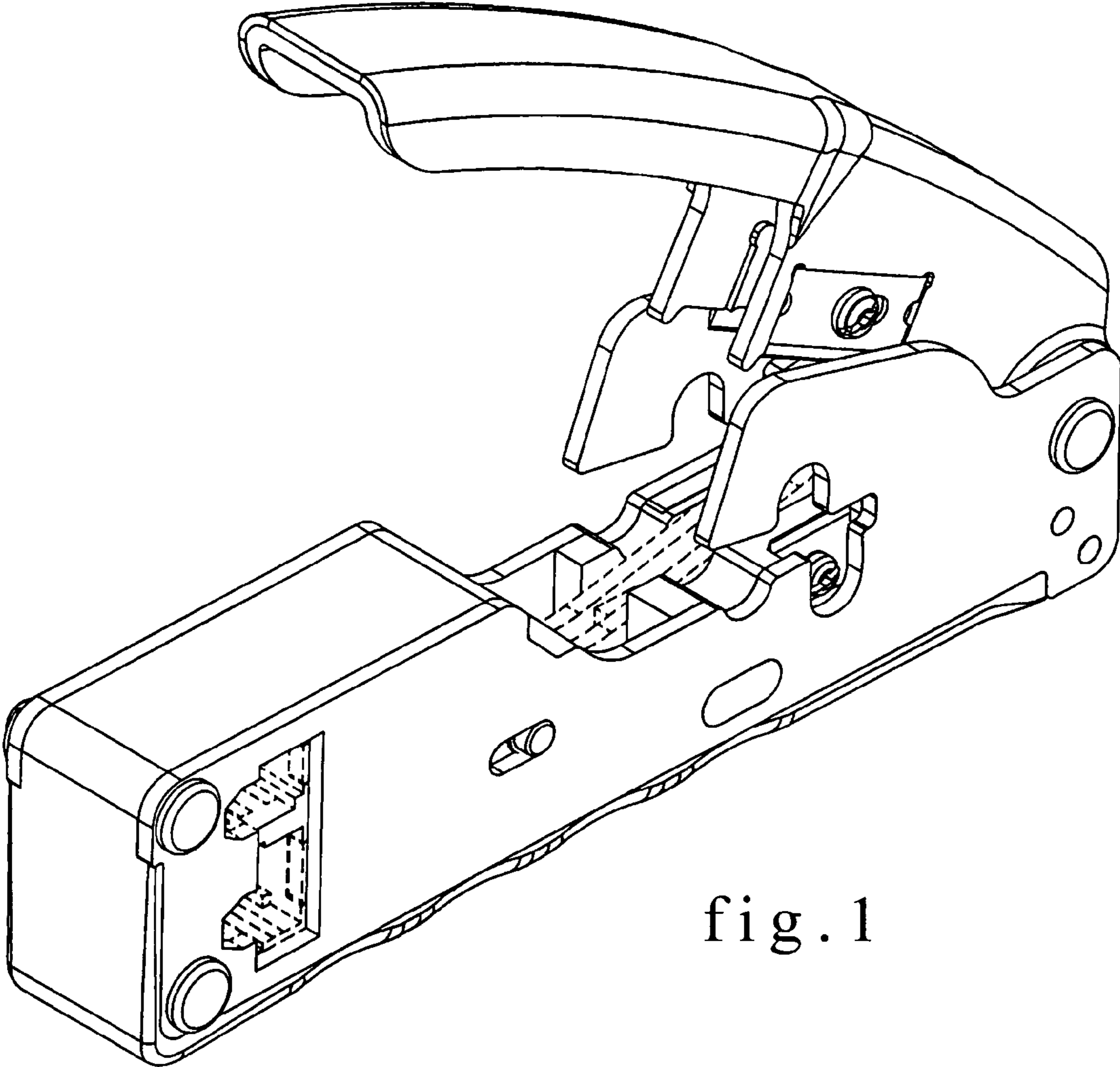
FIG. 6 is a top plan view thereof; and,

FIG. 7 is a bottom plan view thereof.

The broken lines in the drawings are for the purpose of illustrating unclaimed portions of the terminal crimping pliers and form no part of the claimed design.

1 Claim, 7 Drawing Sheets





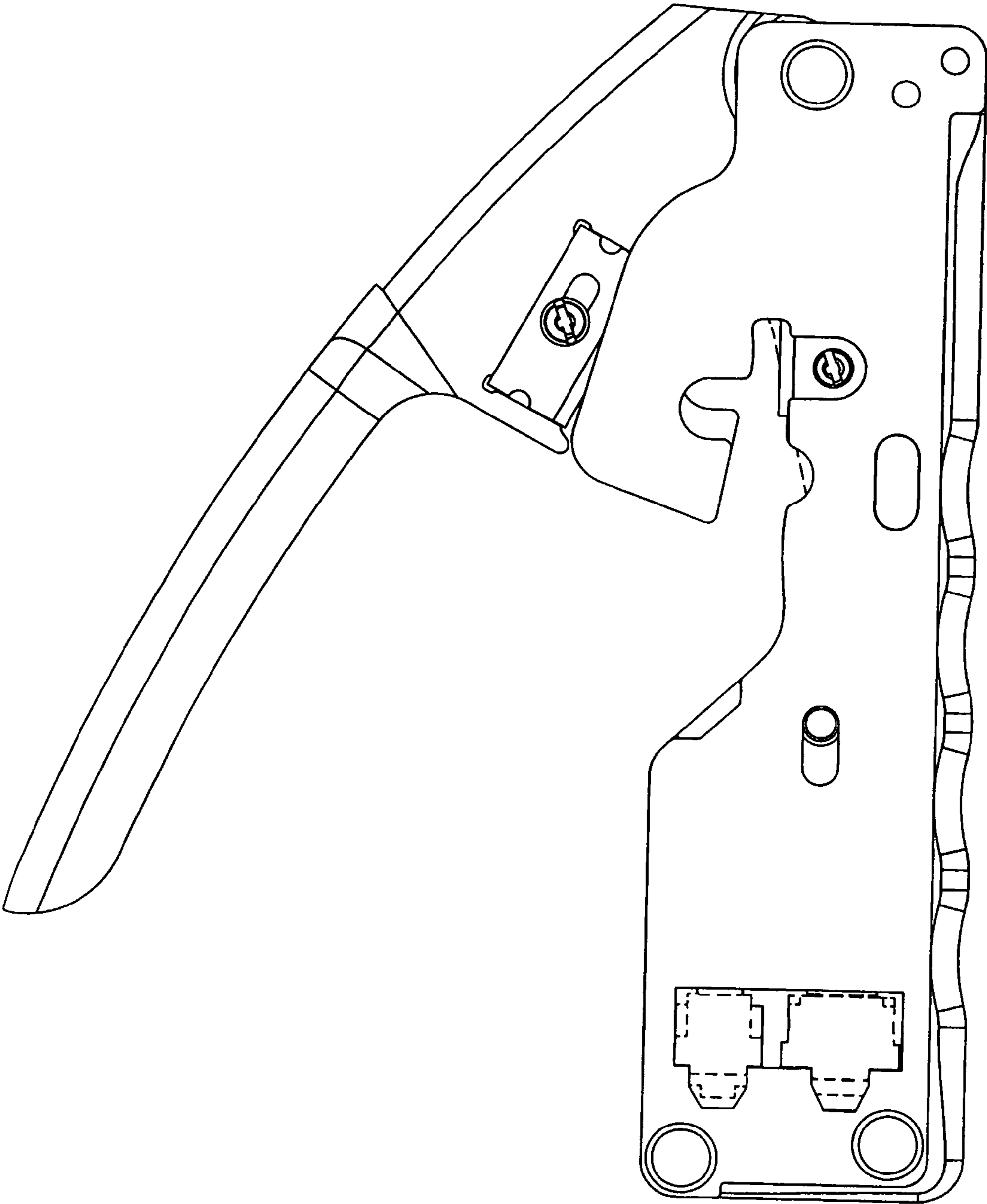


fig. 2

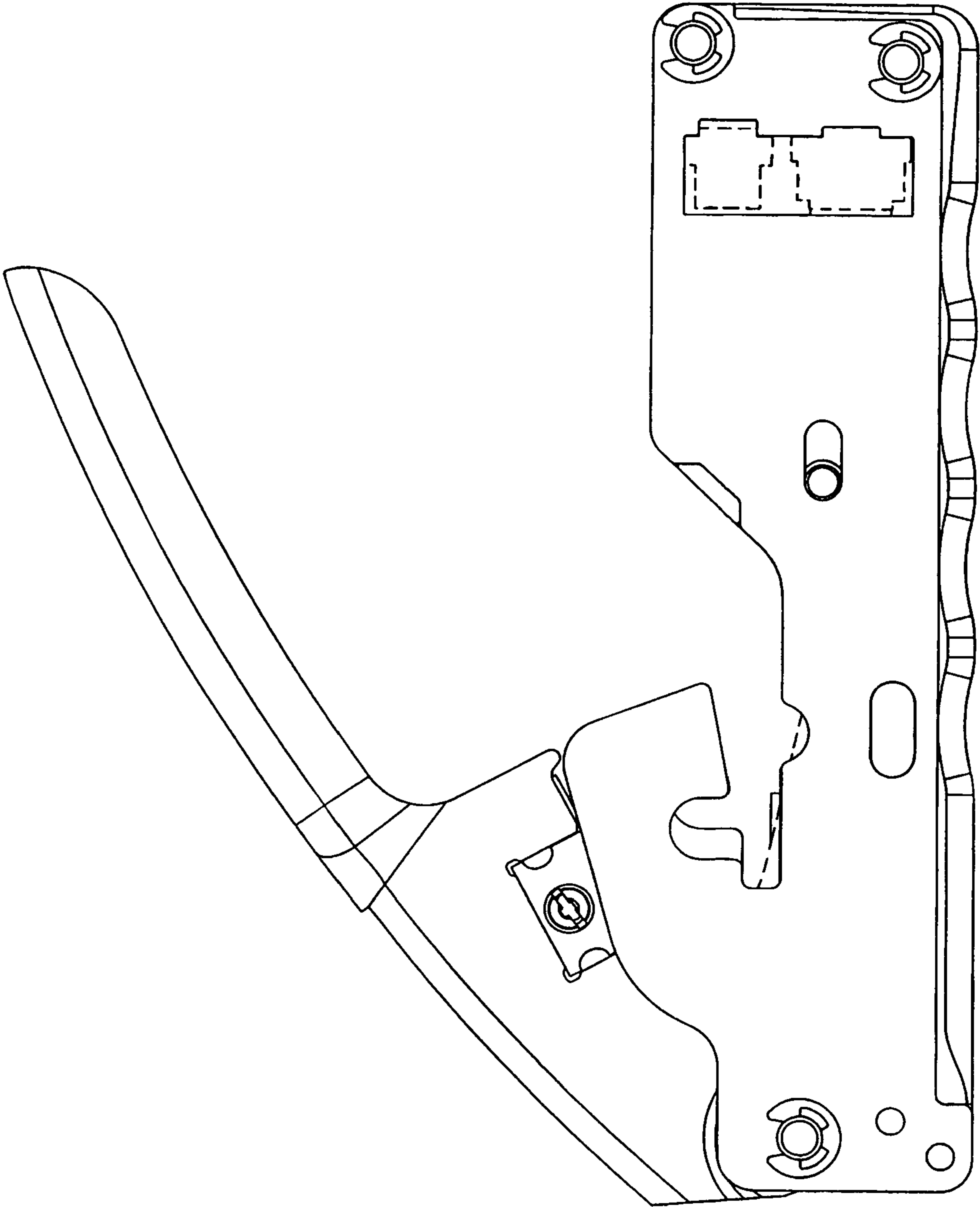


fig. 3

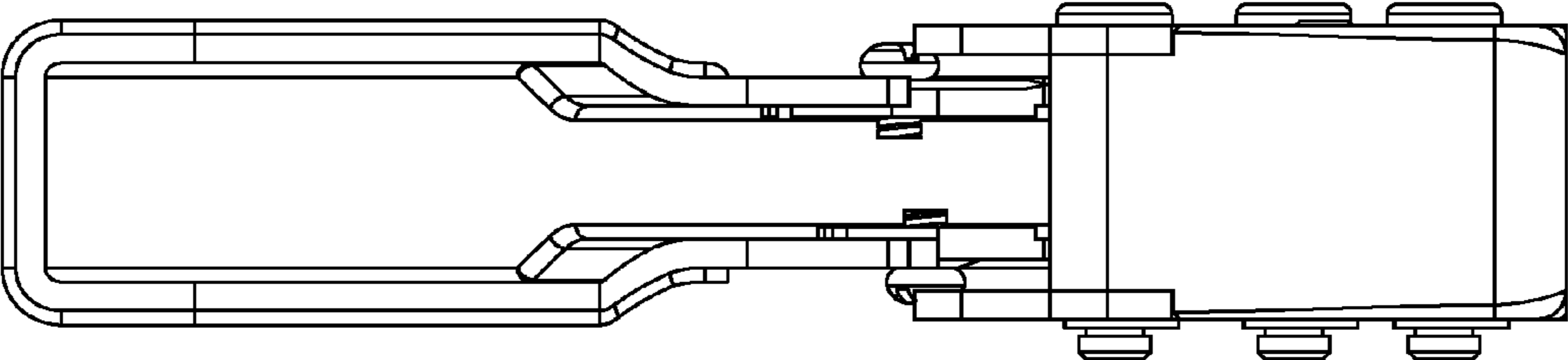


fig. 4

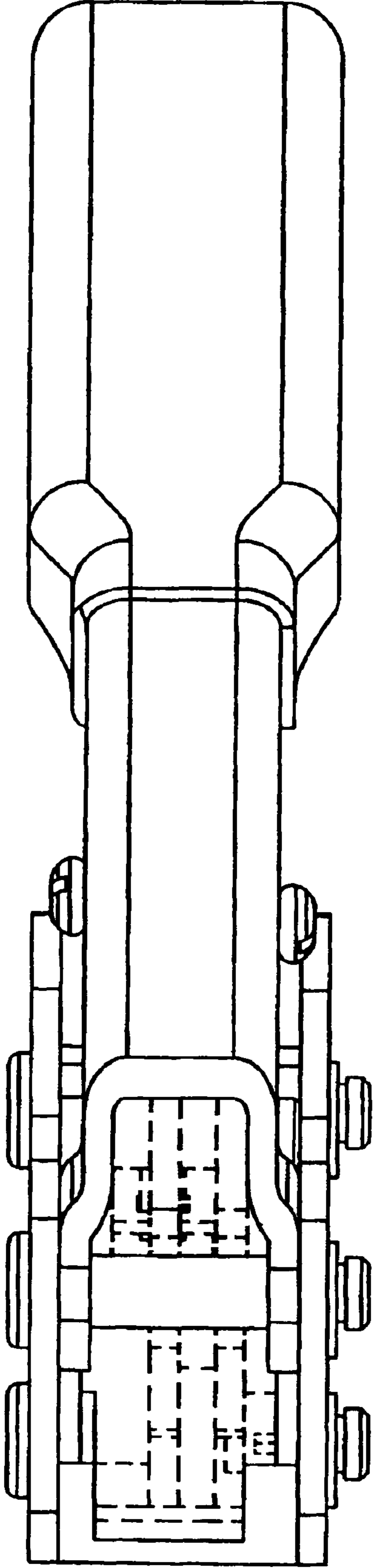


fig. 5

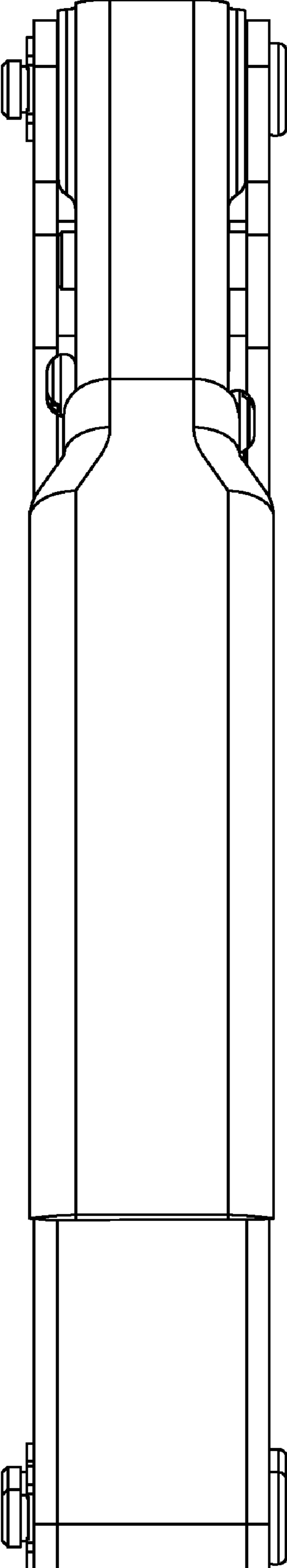


fig. 6

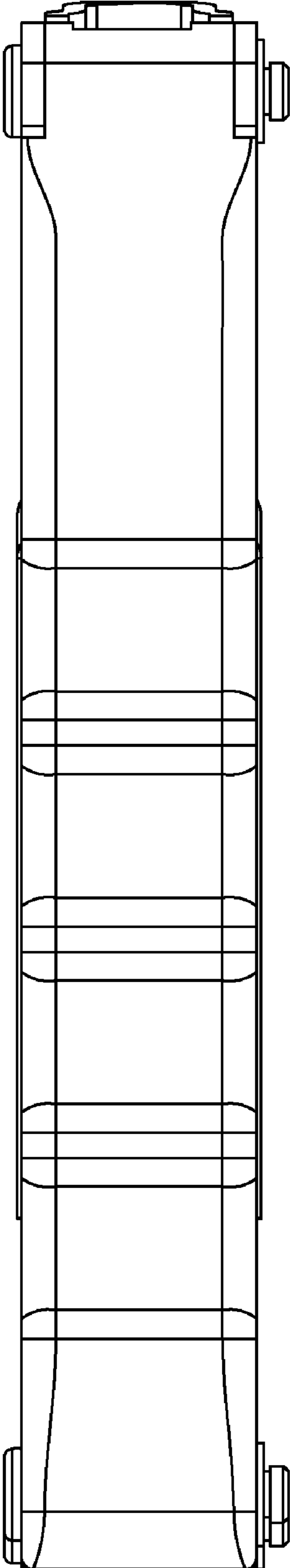


fig. 7