



US00D625978S

(12) **United States Design Patent**
Zeng

(10) **Patent No.:** **US D625,978 S**

(45) **Date of Patent:** **** Oct. 26, 2010**

(54) **CUTTING DEVICE**

(76) **Inventor:** **Min-Zheng Zeng**, No. 72, Chaoguei Rd., Situn District, Taichung City 407 (TW)

(**) **Term:** **14 Years**

(21) **Appl. No.:** **29/355,977**

(22) **Filed:** **Feb. 18, 2010**

(51) **LOC (9) Cl.** **08-05**

(52) **U.S. Cl.** **D8/52; D8/5; D7/693**

(58) **Field of Classification Search** D8/1, D8/4, 5, 14, 20, 51–56, 58, 105–107, 57; 30/158–161, 236, 262, 131–135, 173, 184, 30/186, 188, 192–194, 233, 244–254, 258, 30/260; D7/693

See application file for complete search history.

(56) **References Cited**

U.S. PATENT DOCUMENTS

D383,958	S	*	9/1997	An et al.	D8/57
5,832,612	A	*	11/1998	Cornell et al.	30/233
D422,856	S	*	4/2000	Wu	D8/5
6,308,421	B1	*	10/2001	Wang	30/178
D455,329	S	*	4/2002	Renner	D8/98
6,453,560	B1	*	9/2002	Silver et al.	30/134
D483,627	S	*	12/2003	Ronan et al.	D7/693
D483,628	S	*	12/2003	Smith	D7/693
D488,963	S	*	4/2004	Silver et al.	D7/693
6,871,404	B2	*	3/2005	Cook et al.	30/233
D503,875	S	*	4/2005	Ronan et al.	D7/693

6,973,725	B2	*	12/2005	Lai	30/179
7,080,455	B1	*	7/2006	Ronan et al.	30/122
RE39,286	E	*	9/2006	Silver et al.	30/134
D564,309	S	*	3/2008	Ronan	D7/696
D581,232	S	*	11/2008	Gransbury et al.	D8/57
2004/0045173	A1	*	3/2004	Ebert	30/188
2005/0050735	A1	*	3/2005	Huang	30/186
2007/0289143	A1	*	12/2007	Crain et al.	30/188

* cited by examiner

Primary Examiner—Cathron C Brooks
Assistant Examiner—Deanna Fluegeman
(74) *Attorney, Agent, or Firm*—Banger Shia

(57) **CLAIM**

I claim the ornamental design for a cutting device, as shown and described.

DESCRIPTION

FIG. 1 is a perspective view of a cutting device, showing my new design;

FIG. 2 is a front elevational view thereof;

FIG. 3 is a rear elevational view thereof;

FIG. 4 is a left side elevational view thereof;

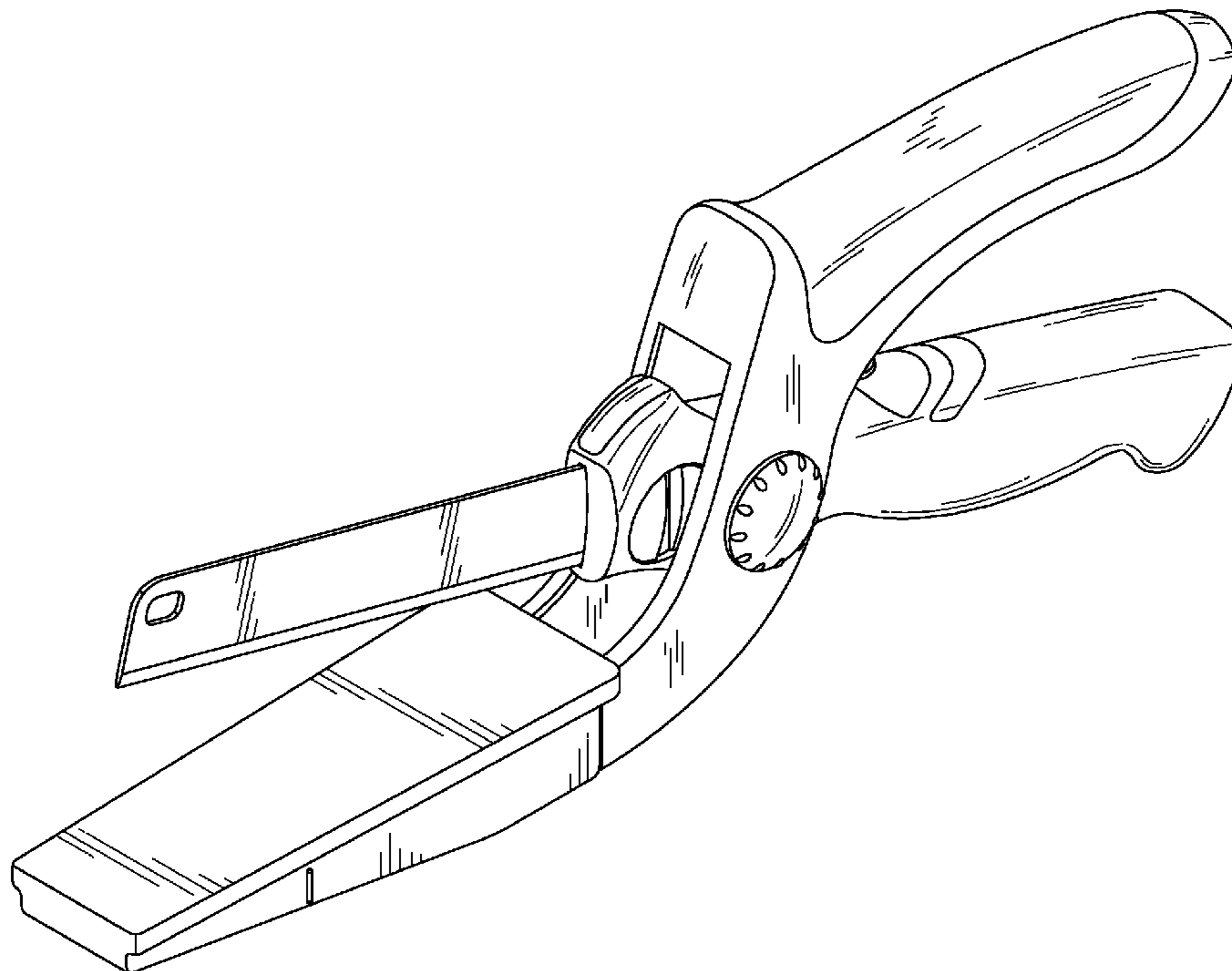
FIG. 5 is a right side elevational view thereof;

FIG. 6 is a top plan view thereof; and

FIG. 7 is a bottom plan view thereof; and,

FIG. 8 is a perspective view showing the claimed design in a closed position.

1 Claim, 6 Drawing Sheets



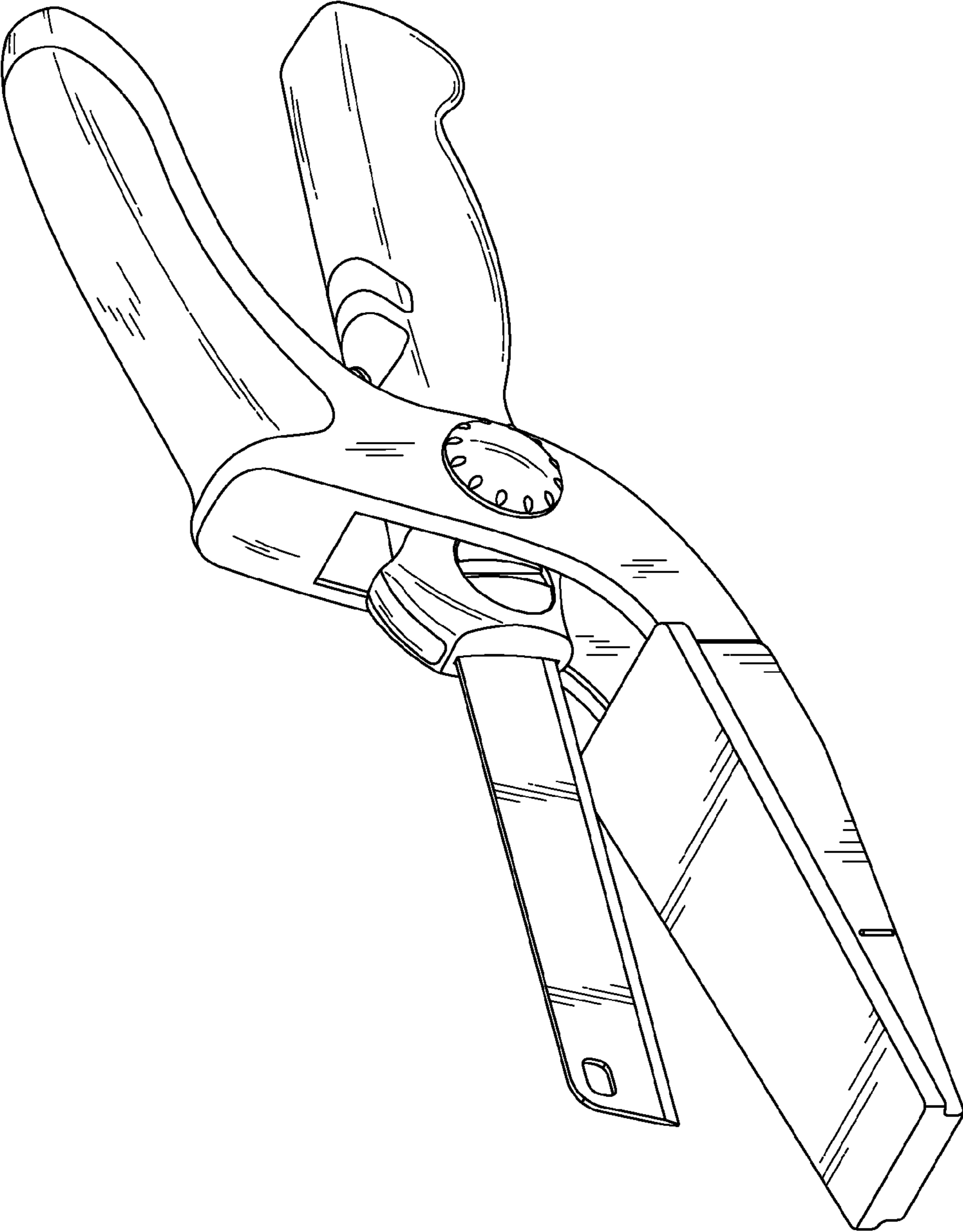


FIG. 1

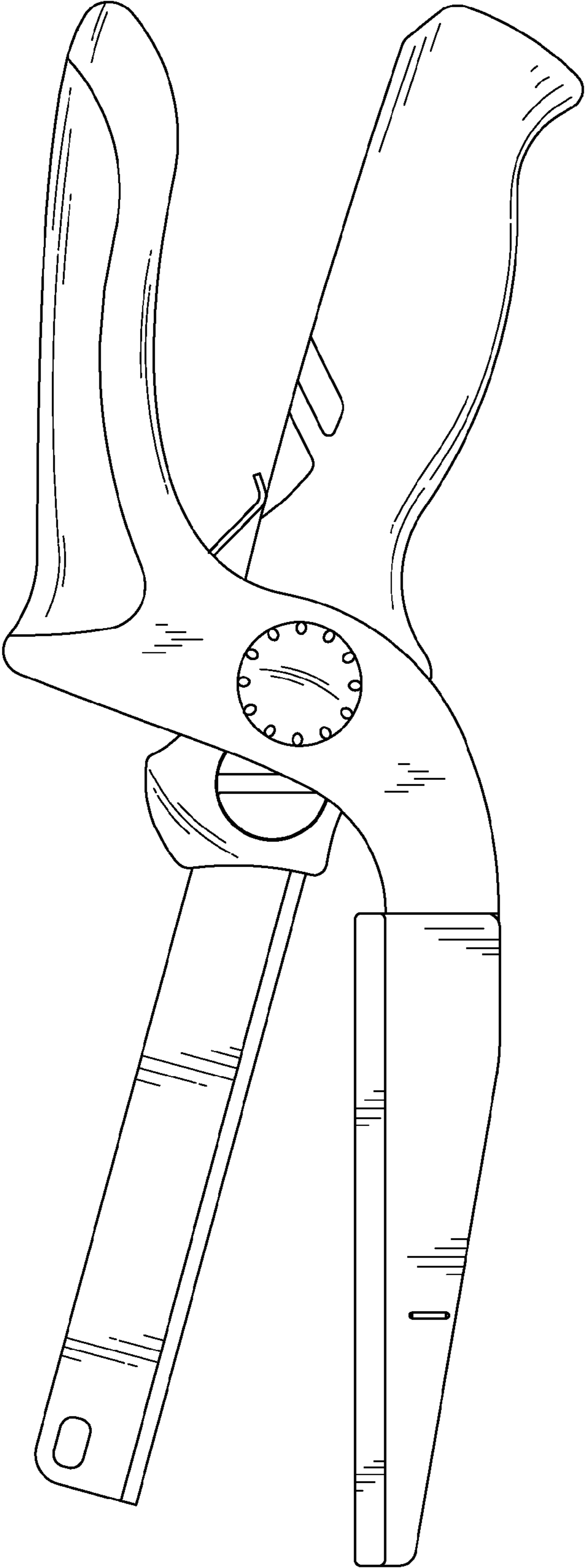


FIG. 2

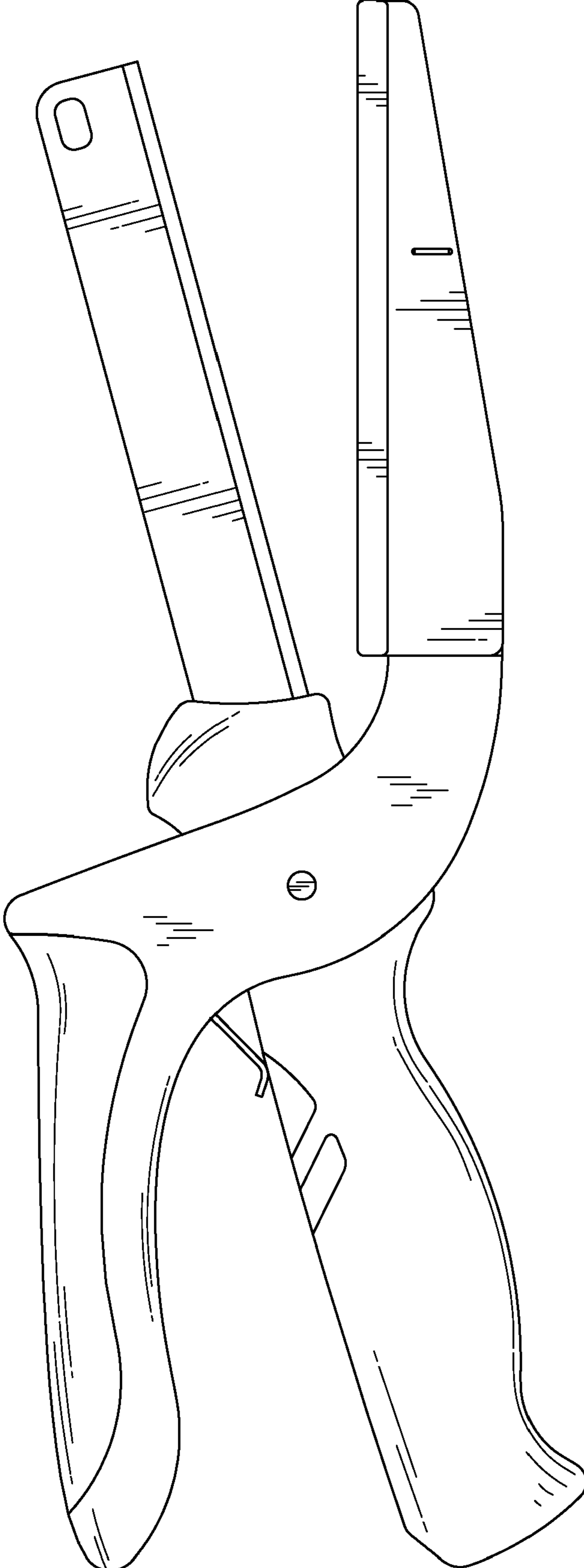


FIG. 3

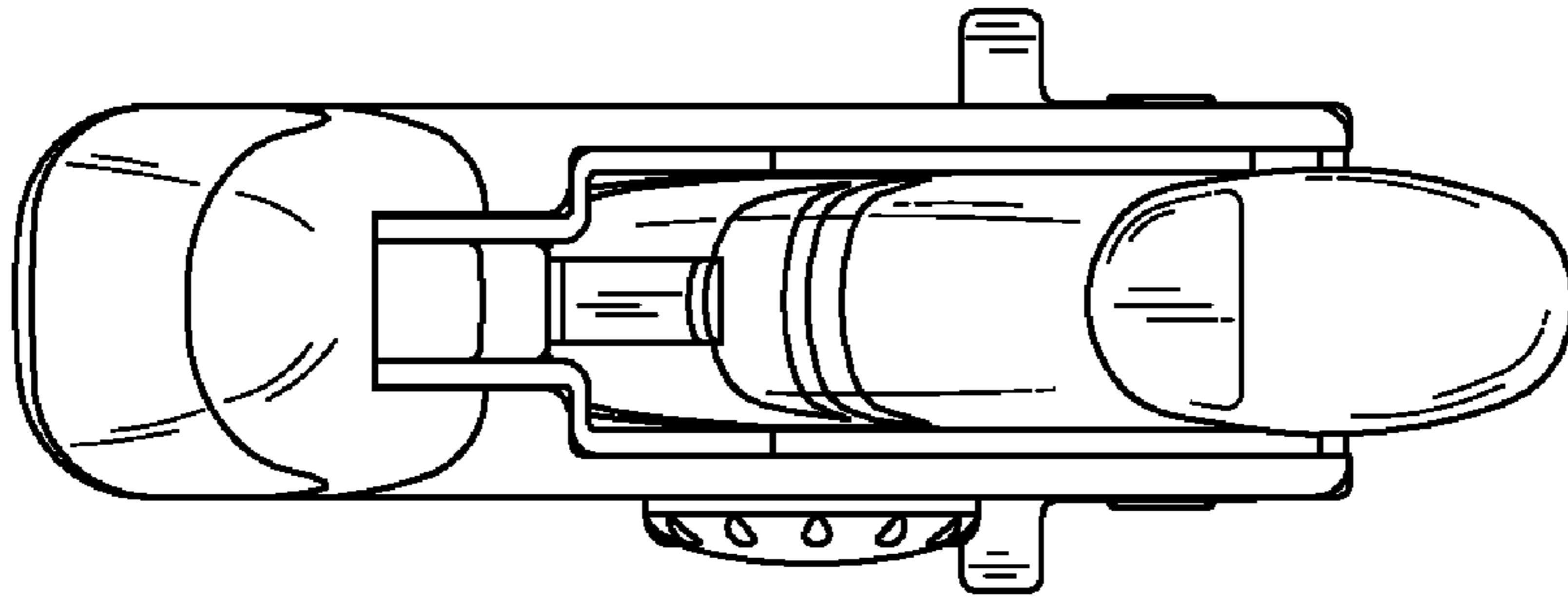


FIG. 5

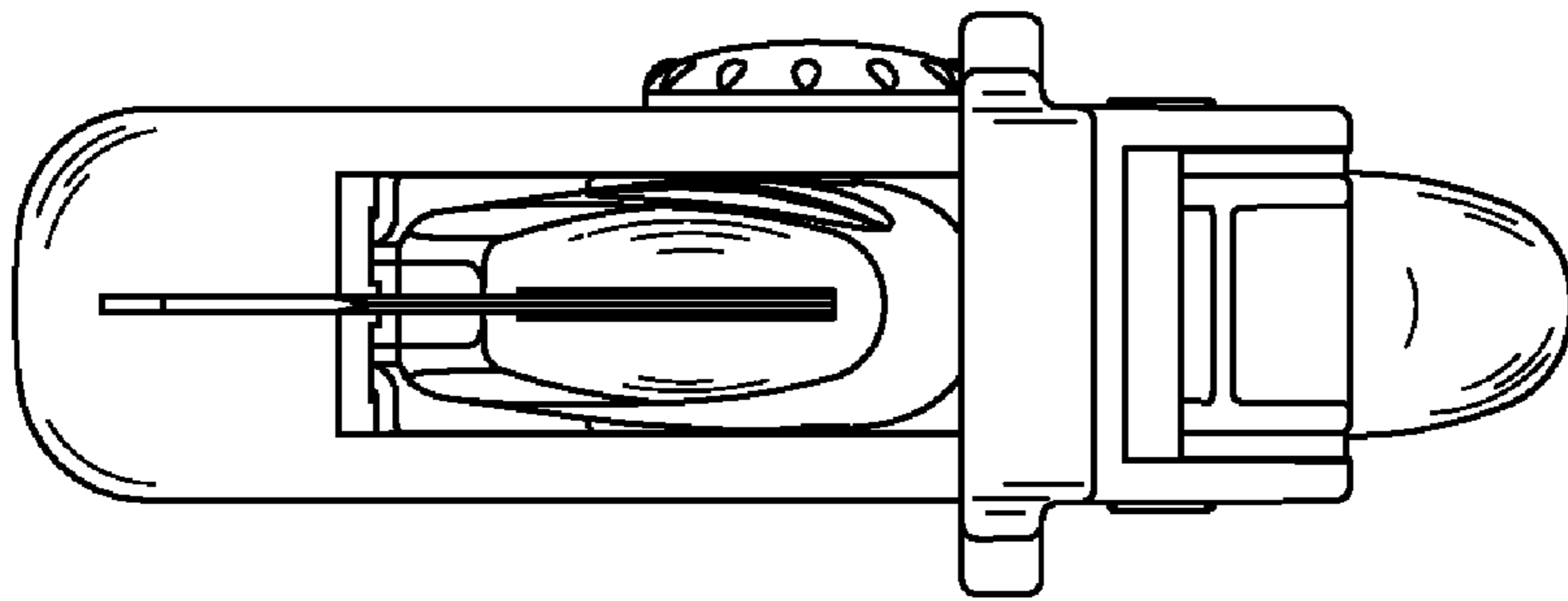


FIG. 4

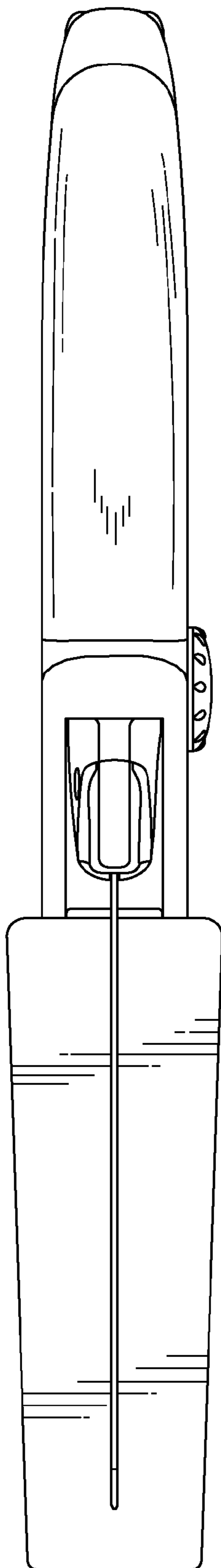


FIG. 6

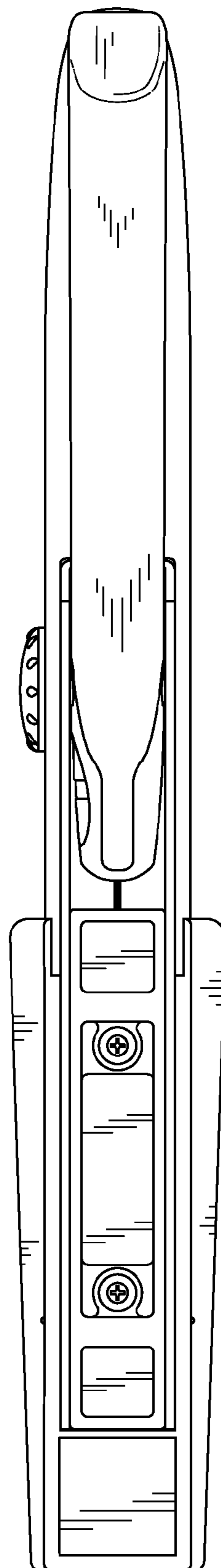


FIG. 7

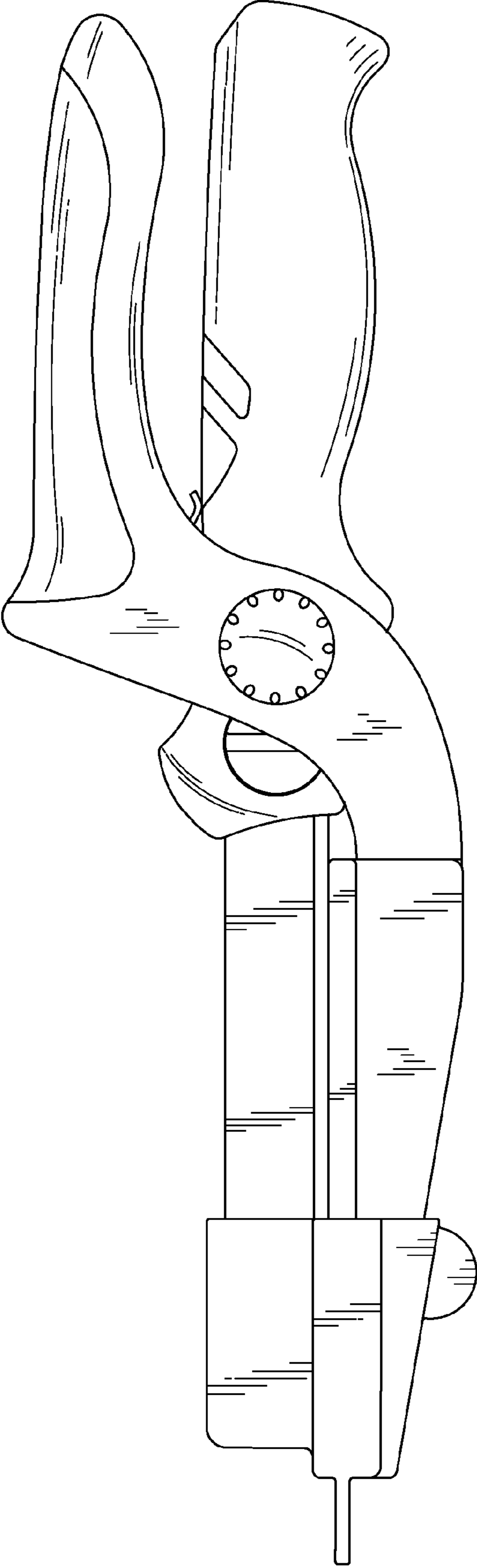


FIG. 8