



US00D625977S

(12) **United States Design Patent**
Watson et al.

(10) **Patent No.:** **US D625,977 S**

(45) **Date of Patent:** **** Oct. 26, 2010**

(54) **SPACER TOOL**

(75) Inventors: **Brian John Watson**, London (GB);
Anthony Arthur Wills, London (GB);
Philip Mark Hall, London (GB)

(73) Assignee: **Vertex Stone and Chinaware Ltd.**,
Hong Kong (CN)

(**) Term: **14 Years**

(21) Appl. No.: **29/356,447**

(22) Filed: **Feb. 25, 2010**

(51) **LOC (9) Cl.** **08-05**

(52) **U.S. Cl.** **D8/51; D8/387; D23/262**

(58) **Field of Classification Search** D8/1,
D8/4, 5, 14, 20, 51-56, 58, 105-107, 354-359,
D8/373, 376, 382, 387, 499; D23/245, 249,
D23/259, 262, 264, 265, 266; 4/612, 614,
4/661; 248/351, 354.1, 354.3, 354.4; 138/37,
138/40, 96 R, 96 T

See application file for complete search history.

(56) **References Cited**

U.S. PATENT DOCUMENTS

D51,705 S *	1/1918	McNair	D8/14
D237,938 S *	12/1975	Seminario	D8/51
3,995,363 A *	12/1976	Medina, Jr.	29/280
D252,013 S *	6/1979	Casey	D8/387
D294,796 S *	3/1988	Bonbright	D8/51
D307,697 S *	5/1990	Geckle	D8/14
D313,471 S *	1/1991	Bremer et al.	D8/387
D314,899 S *	2/1991	Young	D8/59
D340,172 S *	10/1993	Her	D8/51

D360,816 S *	8/1995	Brown	D8/51
D382,788 S *	8/1997	Wages	D8/51
D402,537 S *	12/1998	Lorenzana	D8/355
D435,890 S *	1/2001	Fleischmann	D23/249
D452,422 S *	12/2001	Kelley	D8/51
D457,795 S *	5/2002	Mohammed et al.	D8/51
D463,537 S *	9/2002	Kozu et al.	D23/262
6,464,431 B1 *	10/2002	McNulty	248/354.3
D530,796 S *	10/2006	Zielke et al.	D23/262
D532,178 S *	11/2006	Martin	D8/387
D584,802 S *	1/2009	Goodridge	D23/262
D603,251 S *	11/2009	King	D8/387
D604,600 S *	11/2009	Lesesky	D8/387
2005/0092889 A1 *	5/2005	Pence	248/351

* cited by examiner

Primary Examiner—Cathron C Brooks

Assistant Examiner—Deanna Fluegeman

(74) *Attorney, Agent, or Firm*—Rodman & Rodman

(57) **CLAIM**

The ornamental design for a spacer tool, as shown and described.

DESCRIPTION

FIG. 1 is a perspective view of a spacer tool incorporating our new design;

FIG. 2 is a top view thereof;

FIG. 3 is a front elevation thereof;

FIG. 4 is a side elevation thereof from one side of FIG. 1, the opposite side elevation being similar; and,

FIG. 5 is a bottom view thereof.

1 Claim, 3 Drawing Sheets

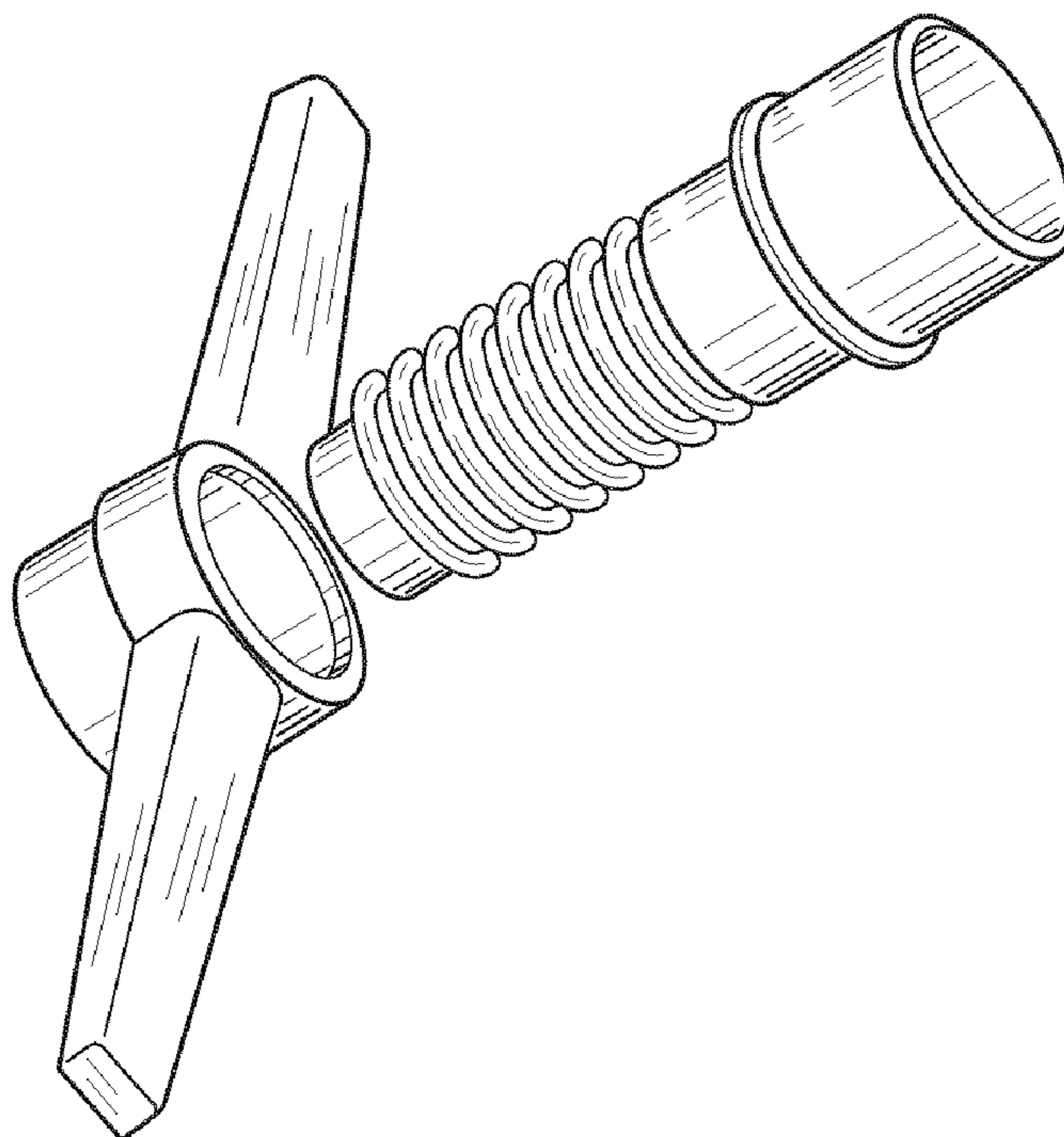


FIG. 1

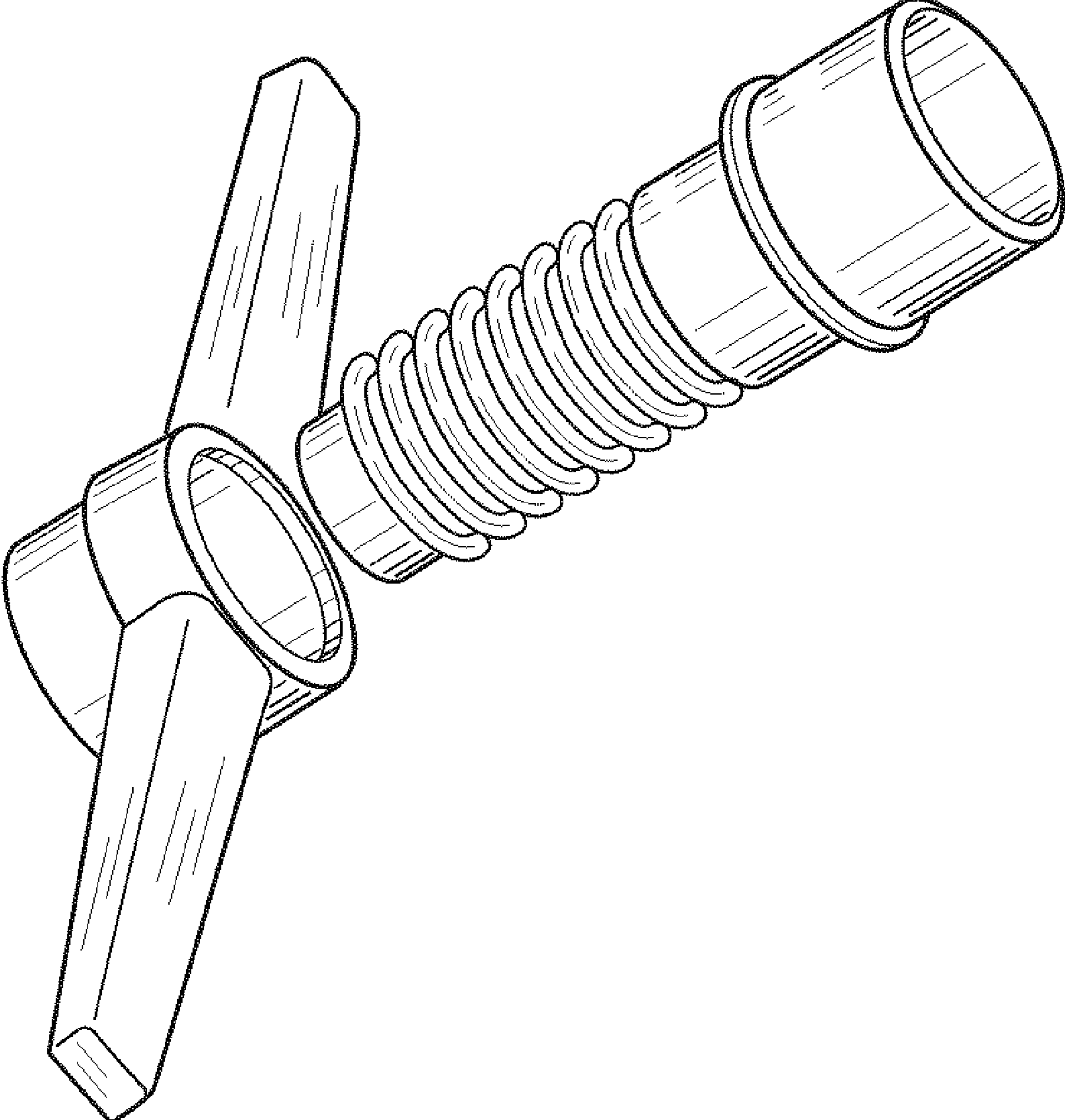


FIG. 2

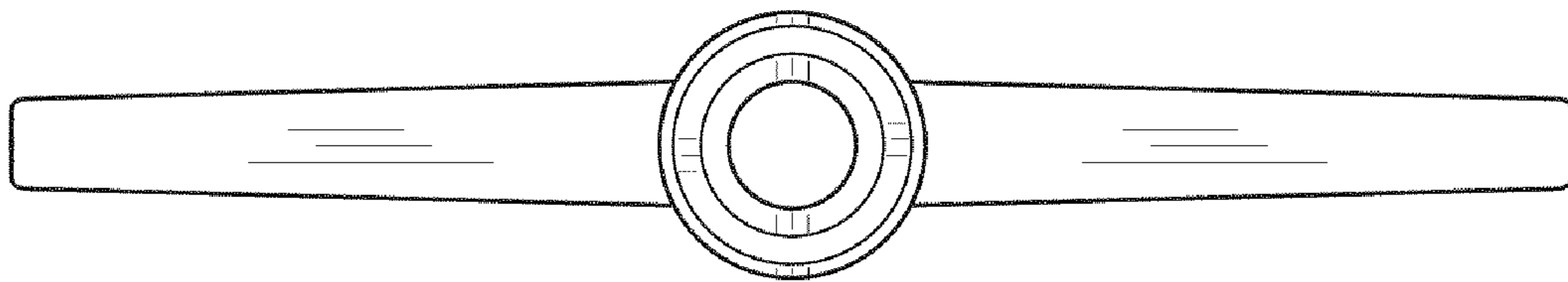


FIG. 3

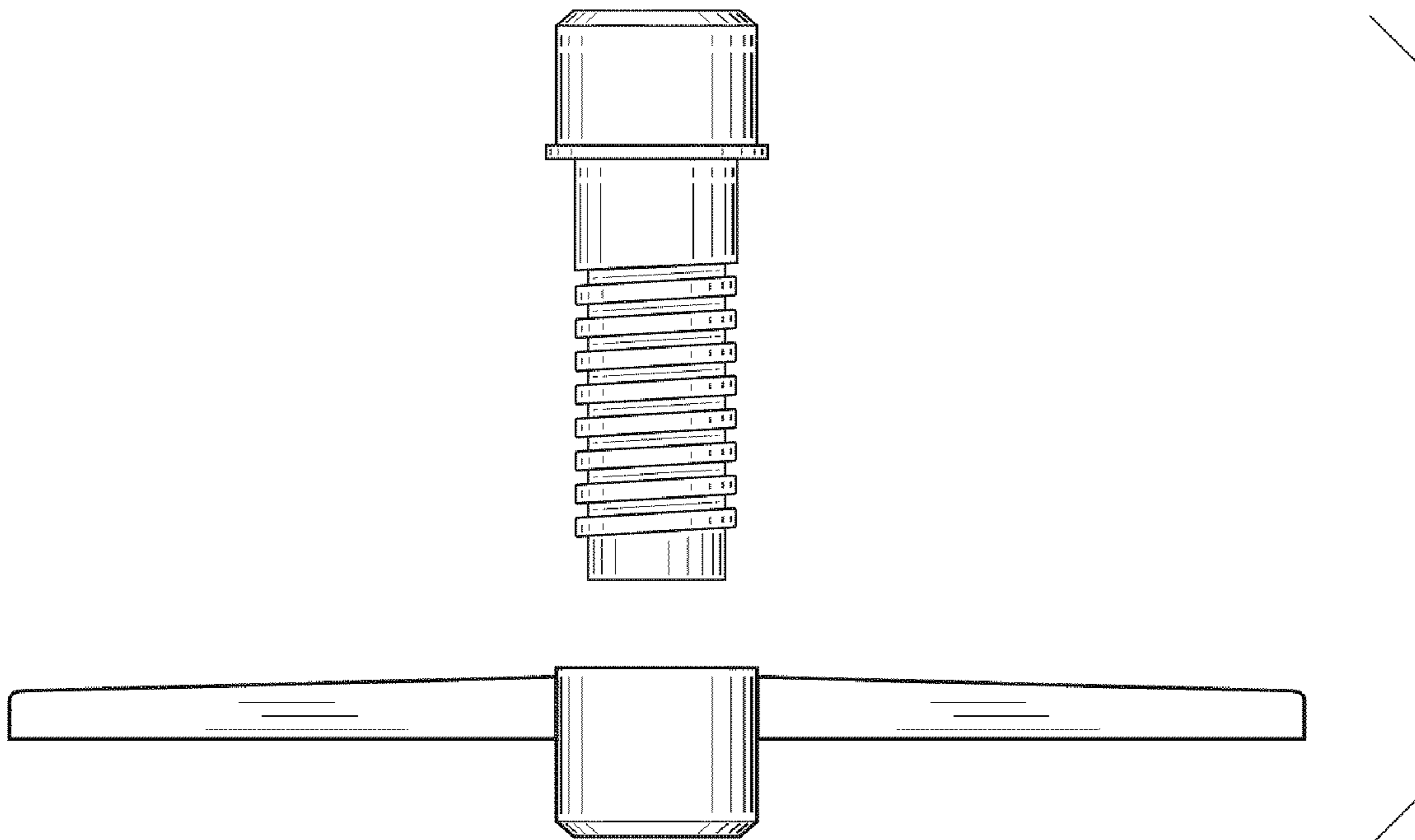


FIG. 4

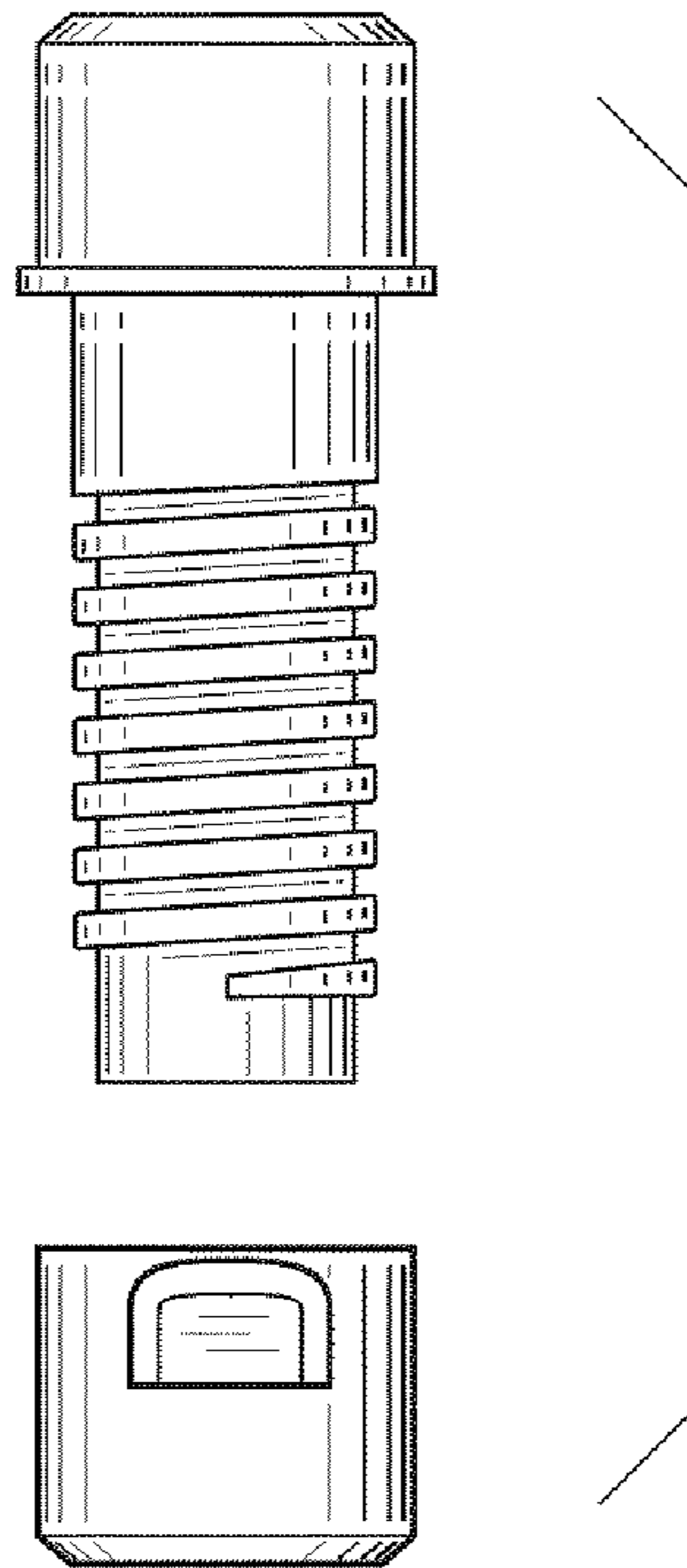


FIG. 5

