



US00D625976S

(12) **United States Design Patent**
Whiteside

(10) **Patent No.:** **US D625,976 S**

(45) **Date of Patent:** **** Oct. 26, 2010**

(54) **TROWEL THAT SCOOPS AND SPREADS**

(76) **Inventor:** **Heath Byron Whiteside**, 4315 Willow Tree Dr., Arlington, TX (US) 76017

(**) **Term:** **14 Years**

(21) **Appl. No.:** **29/354,793**

(22) **Filed:** **Jan. 28, 2010**

(51) **LOC (9) Cl.** **08-05**

(52) **U.S. Cl.** **D8/45**

(58) **Field of Classification Search** D8/14,
D8/19, 20, 45; 15/235.4–235.6, 235.8, 236.07–236.08,
15/245.1; 30/169, 355

See application file for complete search history.

(56) **References Cited**

U.S. PATENT DOCUMENTS

737,831	A *	9/1903	Peraud	15/235.4
2,167,996	A *	8/1939	Pritz	15/245.1
2,278,803	A *	4/1942	Stabbert	15/235.4
2,395,186	A *	2/1946	Jones	15/235.6
3,023,444	A *	3/1962	Tims, Jr.	15/235.6
3,166,776	A *	1/1965	Sclick	15/235.6
5,231,729	A *	8/1993	Rose	15/235.4
5,479,675	A *	1/1996	Pytlewski	15/235.4
6,178,586	B1 *	1/2001	Jafarmadar	15/235.6
6,205,610	B1 *	3/2001	Westthorp	15/235.4
D472,787	S *	4/2003	Kyte	D8/107
D487,685	S *	3/2004	Zeilinger	D8/45
D516,887	S *	3/2006	Miller	D8/45
7,028,366	B2 *	4/2006	Brozoska	15/245.1
D529,351	S *	10/2006	Friz	D8/45
D557,578	S *	12/2007	Miller et al.	D8/45

D561,548	S *	2/2008	Martin	D8/45
D561,549	S *	2/2008	Hughett	D8/45
7,370,384	B2 *	5/2008	Miller et al.	15/236.08
D577,970	S *	10/2008	Hughett	D8/45
D577,971	S *	10/2008	Hughett	D8/45
7,493,671	B2 *	2/2009	Hurley et al.	15/235.6
D588,426	S *	3/2009	Martin	D8/45
7,506,398	B2 *	3/2009	Martin	15/235.8
2006/0168753	A1 *	8/2006	Crisswell	15/235.6
2006/0185111	A1 *	8/2006	Schneble	15/236.07

* cited by examiner

Primary Examiner—Philip S Hyder

Assistant Examiner—Roselynn Cody

(74) *Attorney, Agent, or Firm*—QuickPatents, Inc.; Kevin Prince

(57) **CLAIM**

What is claimed is the ornamental design for a a trowel that scoops and spreads, as shown and described.

DESCRIPTION

FIG. 1 is a rear perspective view of a a trowel that scoops and spreads, showing the new design;

FIG. 2 is a front perspective view thereof;

FIG. 3 is a left-side elevational view thereof;

FIG. 4 is a right-side elevational view thereof;

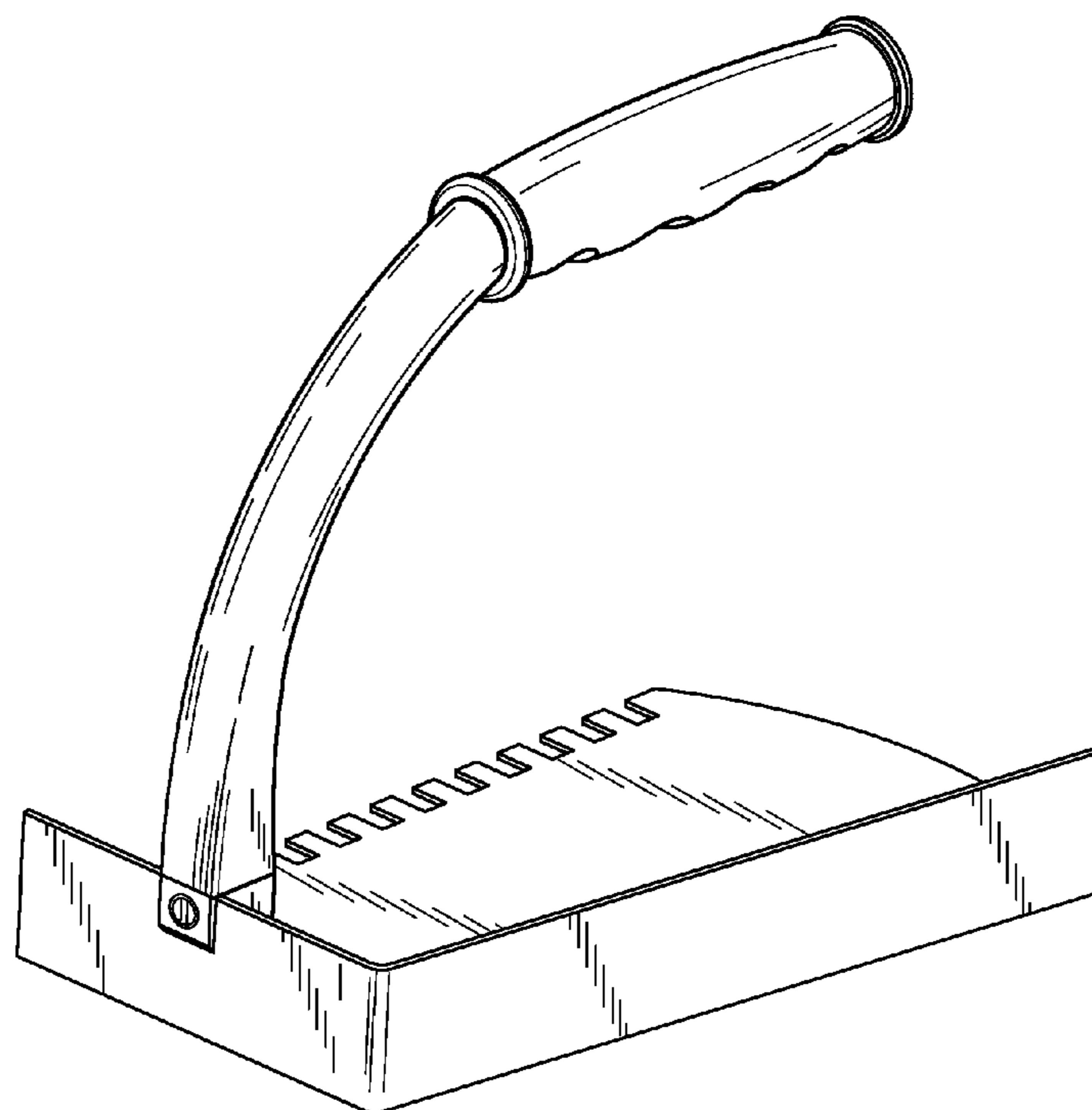
FIG. 5 is a front elevational view thereof;

FIG. 6 is a rear elevational view thereof;

FIG. 7 is a top plan view thereof; and,

FIG. 8 is a bottom plan view thereof.

1 Claim, 4 Drawing Sheets



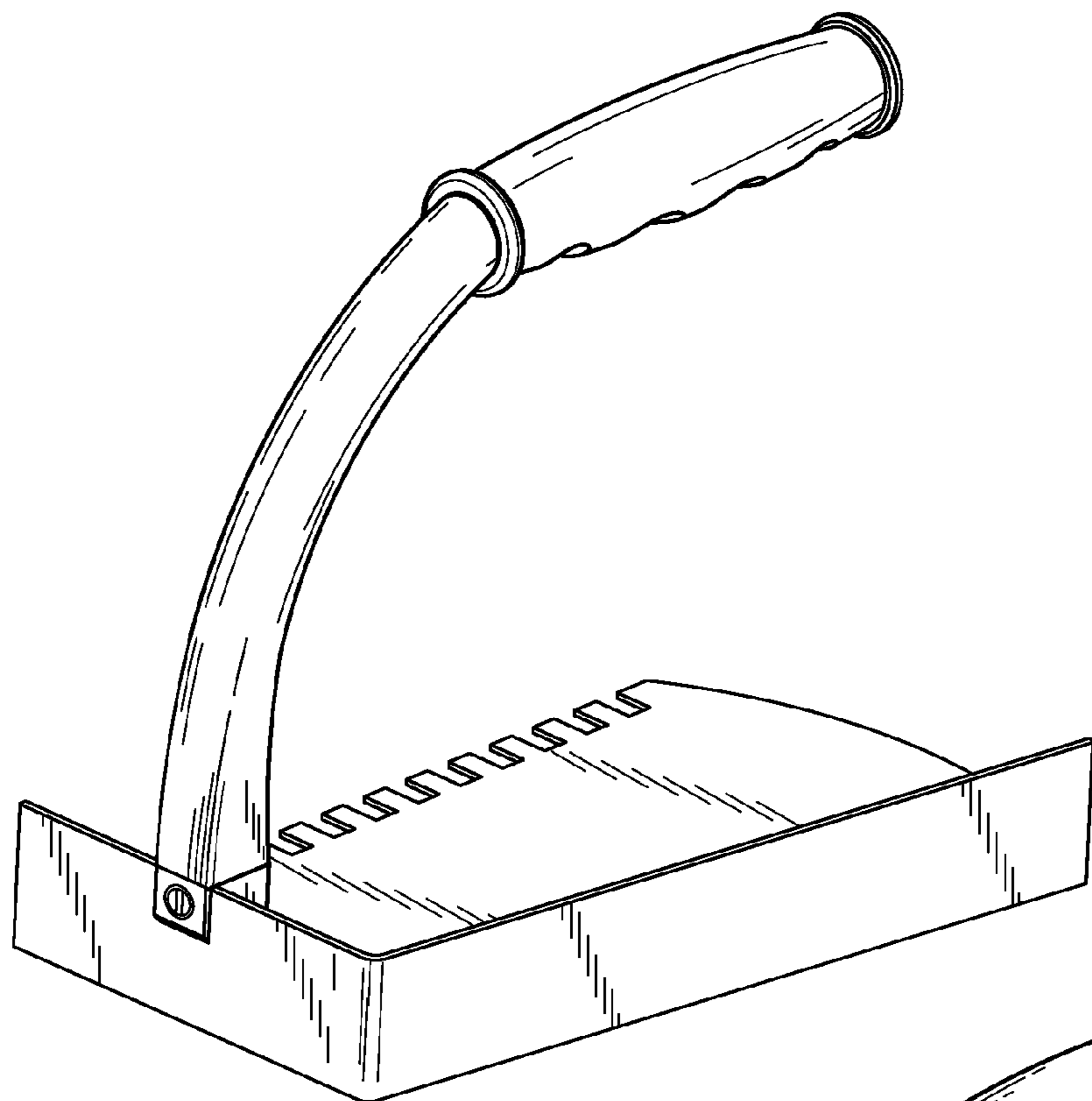


FIG. 1

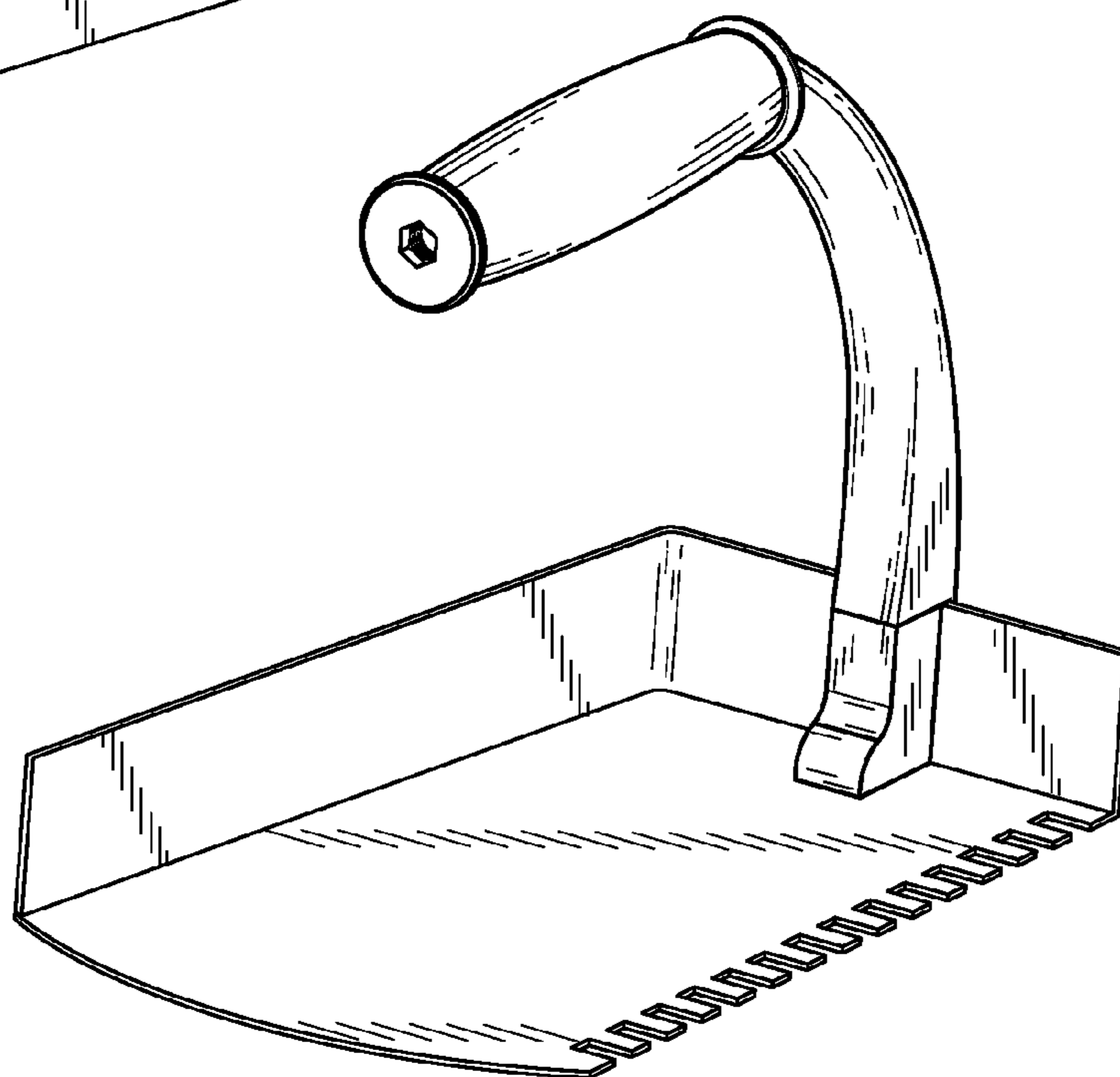


FIG. 2

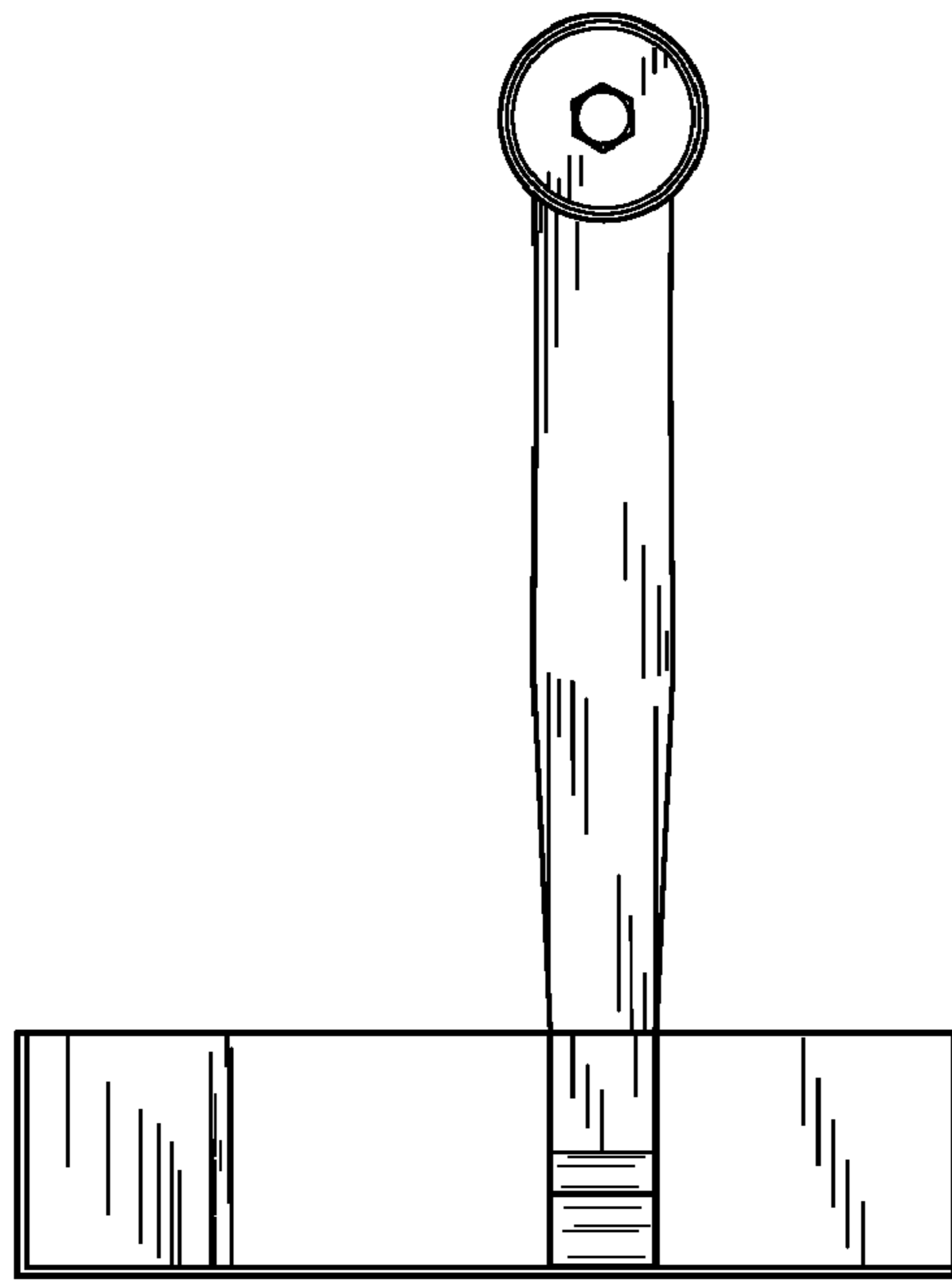


FIG. 3

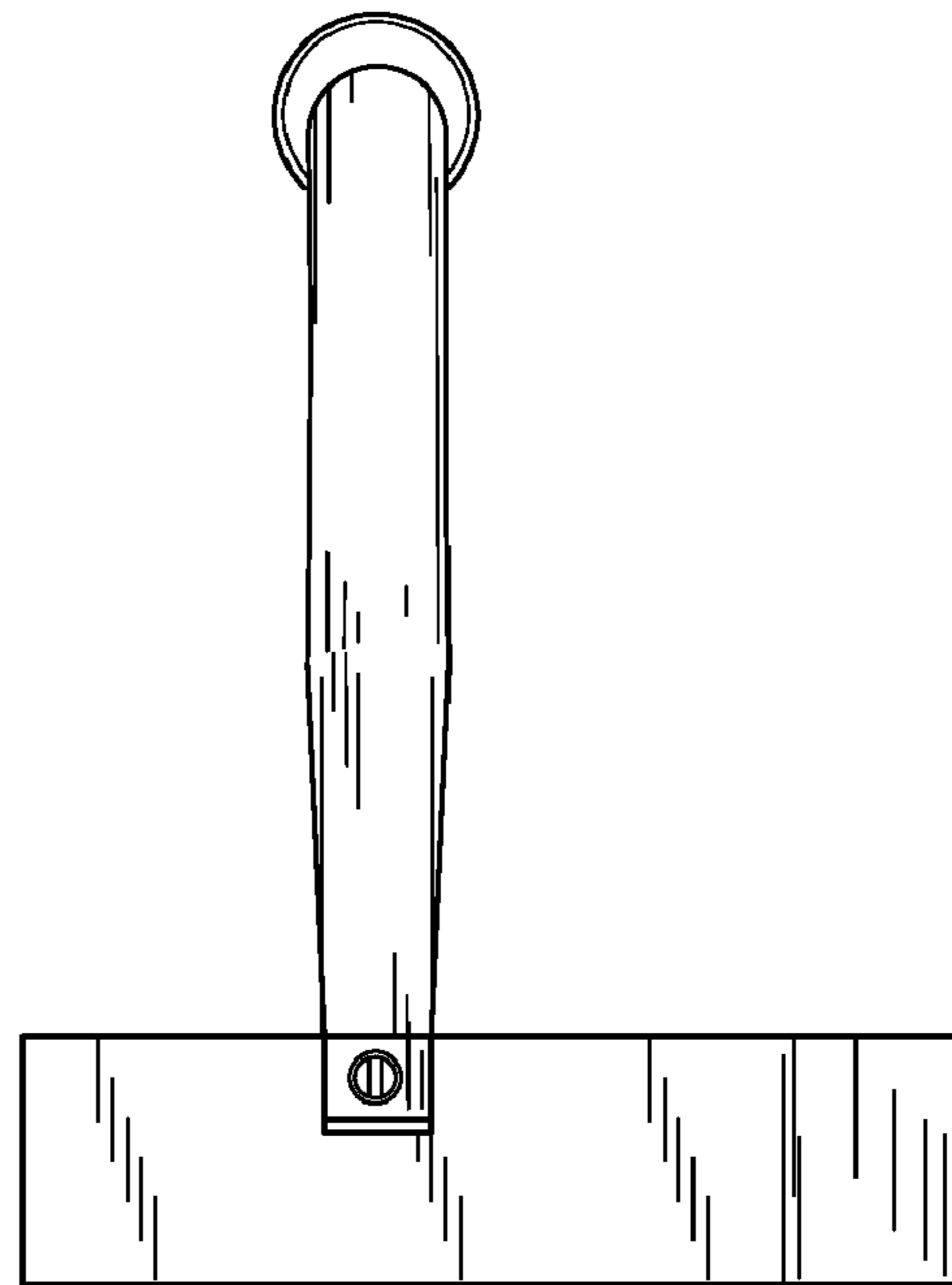


FIG. 4

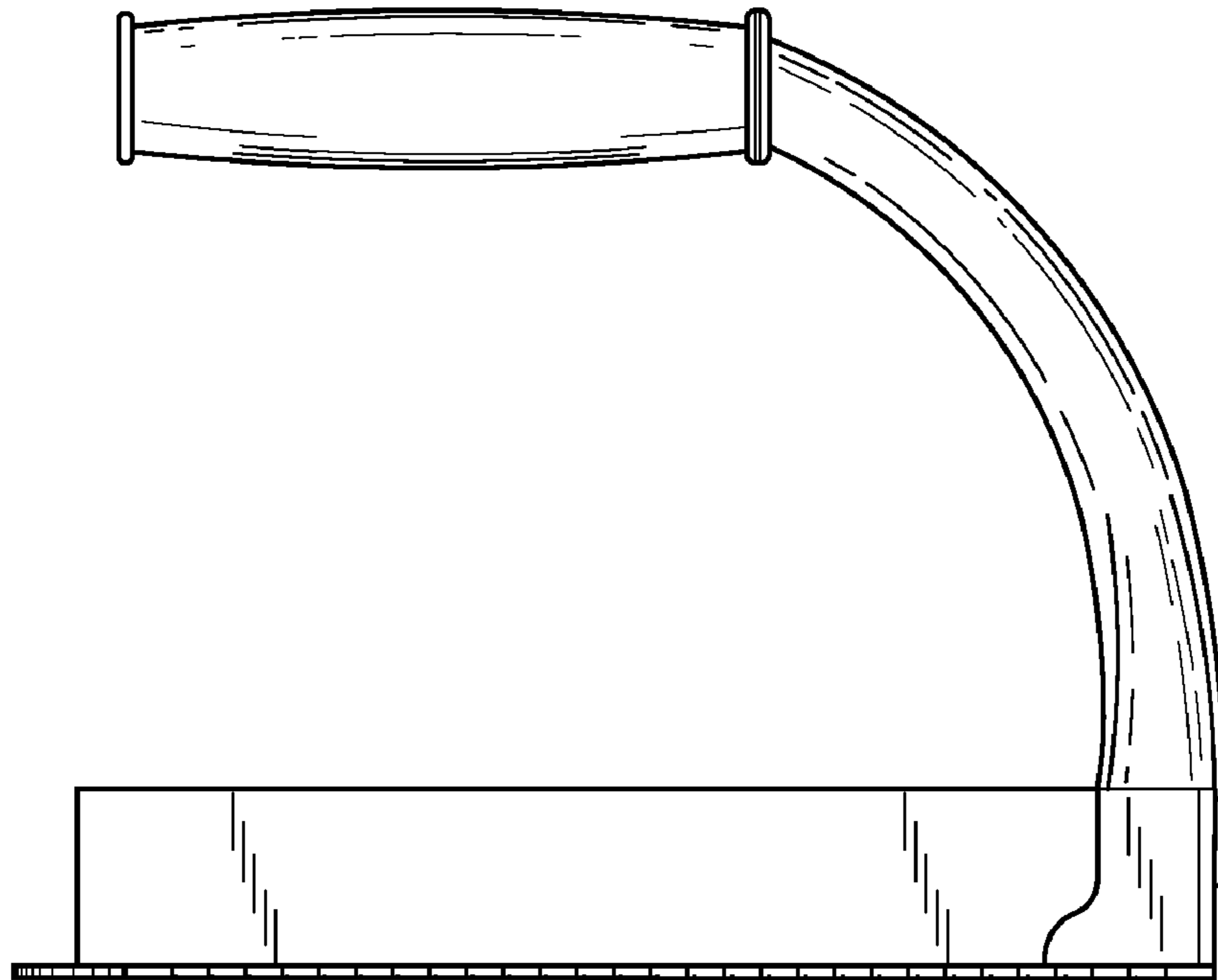


FIG. 5

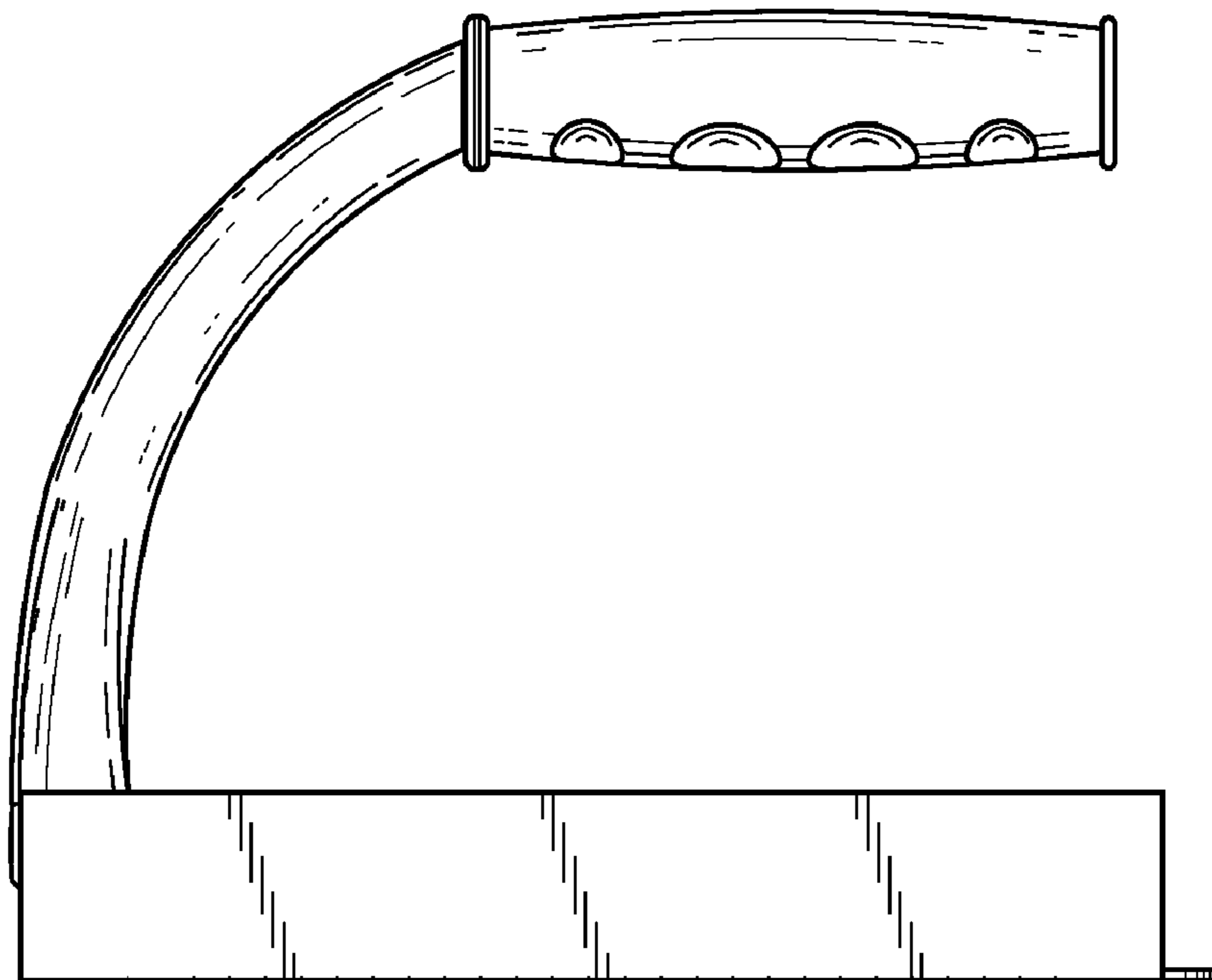


FIG. 6

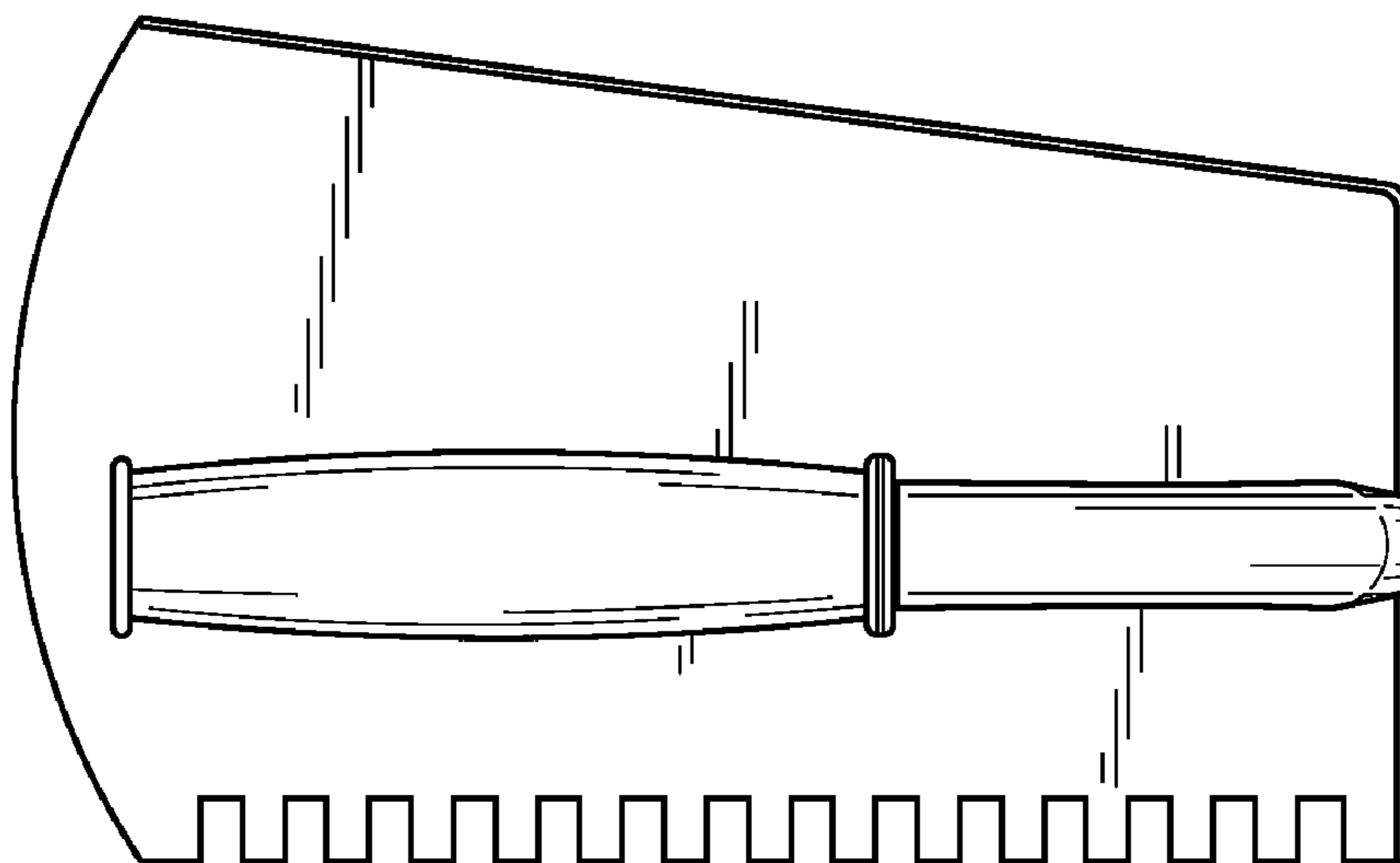


FIG. 7

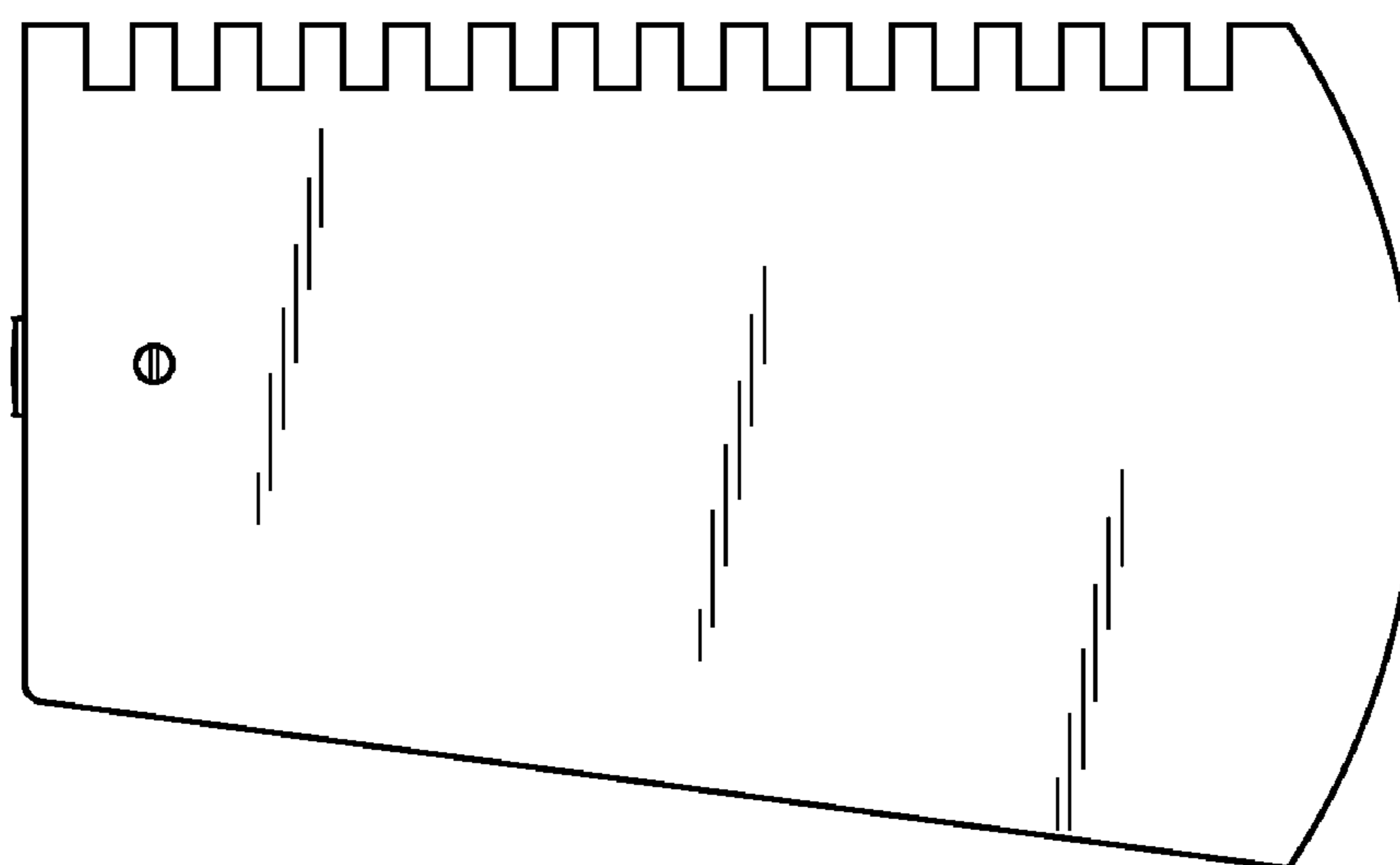


FIG. 8