



US00D625975S

(12) **United States Design Patent**
Long

(10) **Patent No.:** **US D625,975 S**
(45) **Date of Patent:** **** Oct. 26, 2010**

(54) **DEVICE FOR HOLDING AND DISPENSING FILLER**

D613,016 S * 3/2010 Bergman D32/54

FOREIGN PATENT DOCUMENTS

(75) Inventor: **Geoffrey Roy Long**, Eastbourne (GB)

DE 3443941 6/1986

(73) Assignee: **Fillamate Limited**, Eastbourne, East Sussex (GB)

GB 2035432 6/1980

GB 2275959 9/1994

GB 2312465 10/1997

(**) Term: **14 Years**

* cited by examiner

(21) Appl. No.: **29/351,577**

Primary Examiner—Prabhakar Deshmukh

(74) *Attorney, Agent, or Firm*—Diederiks & Whitelaw PLC

(22) Filed: **Dec. 8, 2009**

(57) **CLAIM**

(30) **Foreign Application Priority Data**

The ornamental design for a device for holding and dispensing filler, as shown and described.

Jun. 8, 2009 (EP) 001145098-0001

(51) **LOC (9) Cl.** **03-01**

(52) **U.S. Cl.** **D8/45**

(58) **Field of Classification Search** D3/14,
D3/45; 15/257.01, 257.06, 268; 294/3.5,
294/172; 220/570, 561, 695, 696, 735; 206/1.7,
206/1.8, 1.9

See application file for complete search history.

DESCRIPTION

FIG. 1 is a perspective view of the device for holding and dispensing filler, shown with its handle in an operational position, in accordance with the invention;

FIG. 2 is a front elevational view of the device for holding and dispensing filler of FIG. 1, with the rear elevational view being a mirror image thereof;

FIG. 3 is a left side elevational view of the device for holding and dispensing filler of FIG. 1;

FIG. 4 is a right side elevational view of the device for holding and dispensing filler of FIG. 1;

FIG. 5 is a top view of the device for holding and dispensing filler of FIG. 1;

FIG. 6 is a bottom view of the device for holding and dispensing filler of FIG. 1; and,

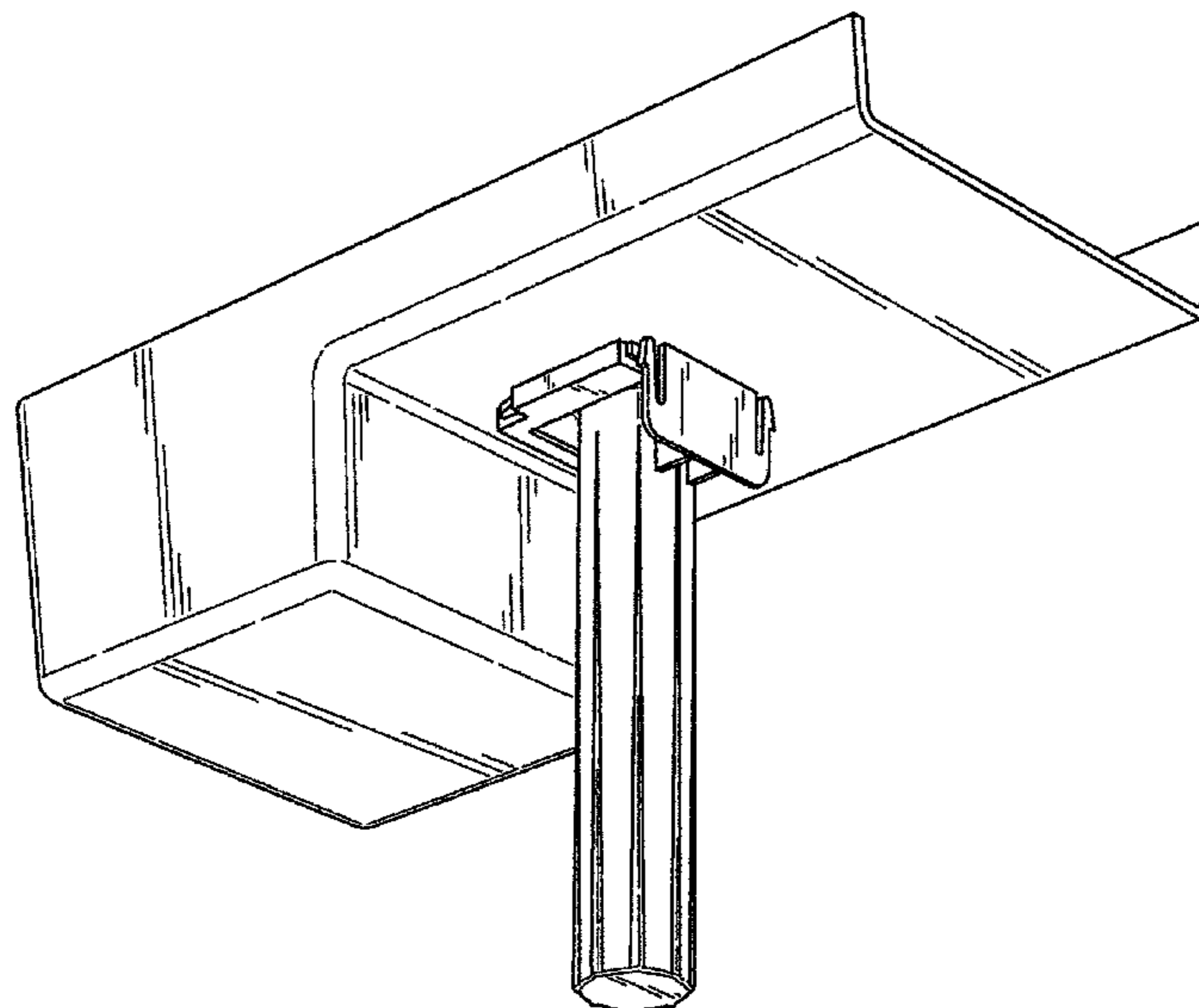
FIG. 7 is a perspective view of the device for holding and dispensing filler of FIG. 1 shown with its handle in a storage position.

(56) **References Cited**

U.S. PATENT DOCUMENTS

1,737,274	A *	11/1929	Sudek, Jr.	294/3.5
2,661,858	A *	12/1953	Howell	15/257.06
2,821,078	A *	1/1958	Steward	222/572
3,033,437	A *	5/1962	Wrage	15/257.06
3,790,201	A	2/1974	Morsilli		
4,579,378	A *	4/1986	Snyders	294/3.5
5,067,761	A	11/1991	Blowers		
6,105,816	A	8/2000	Shea		
6,513,771	B1 *	2/2003	Tucker	248/211
6,637,792	B1 *	10/2003	McCoy et al.	294/3.5
D491,778	S *	6/2004	McCoy	D8/45
6,840,415	B1 *	1/2005	Sapient, Jr.	224/221
7,644,467	B2 *	1/2010	Kleinhammer	15/235.7

1 Claim, 5 Drawing Sheets



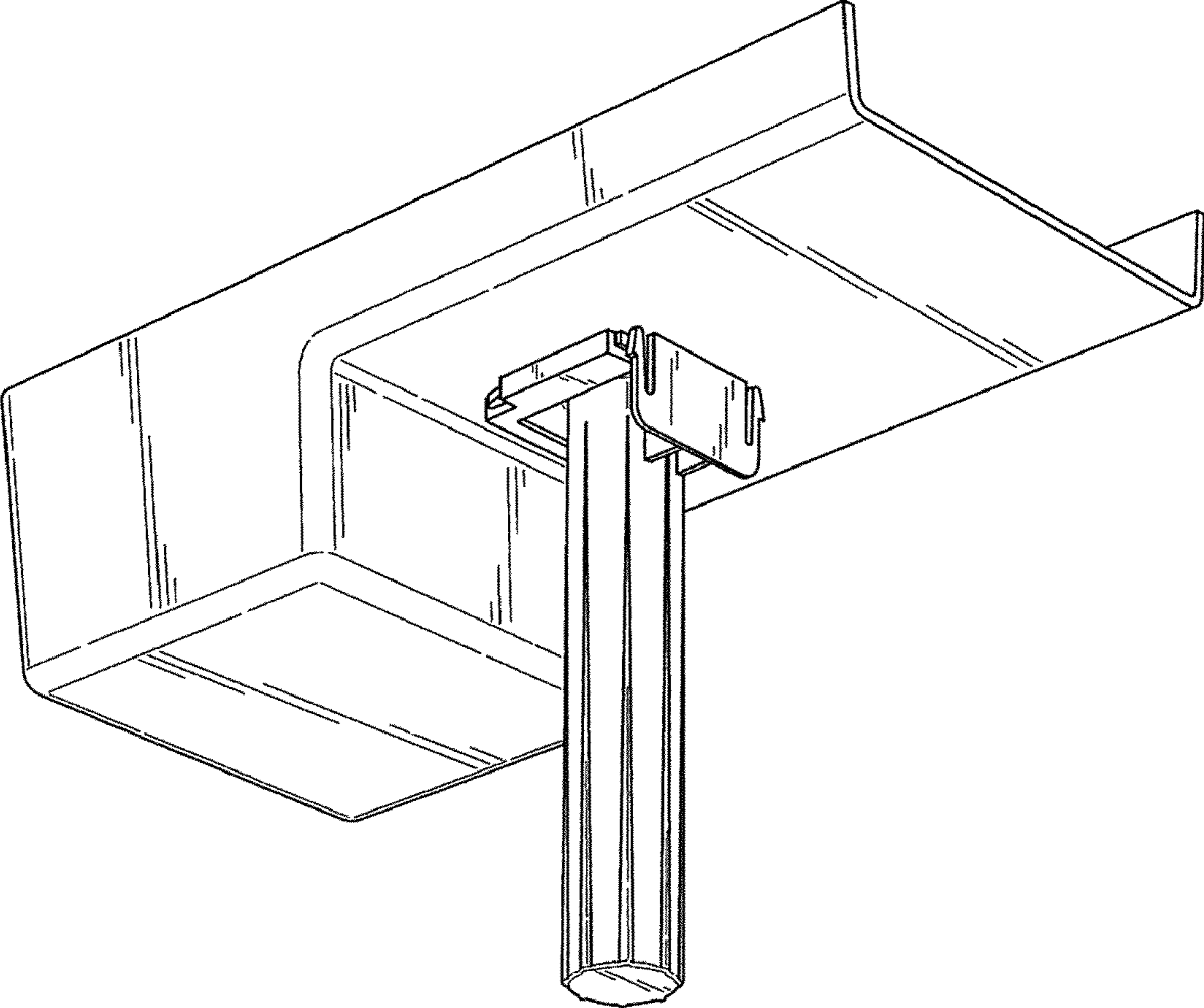


FIG. 1

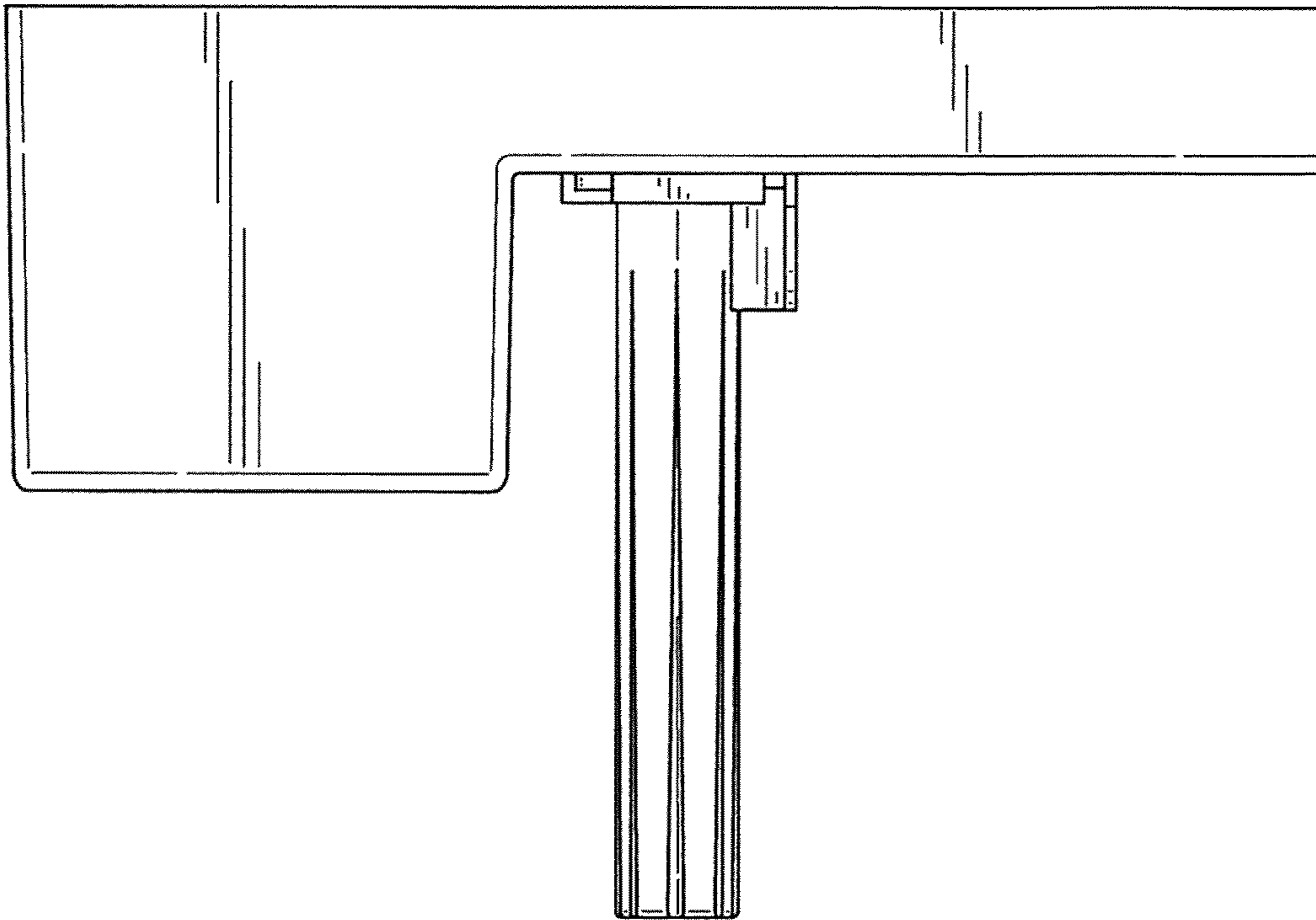


FIG. 2

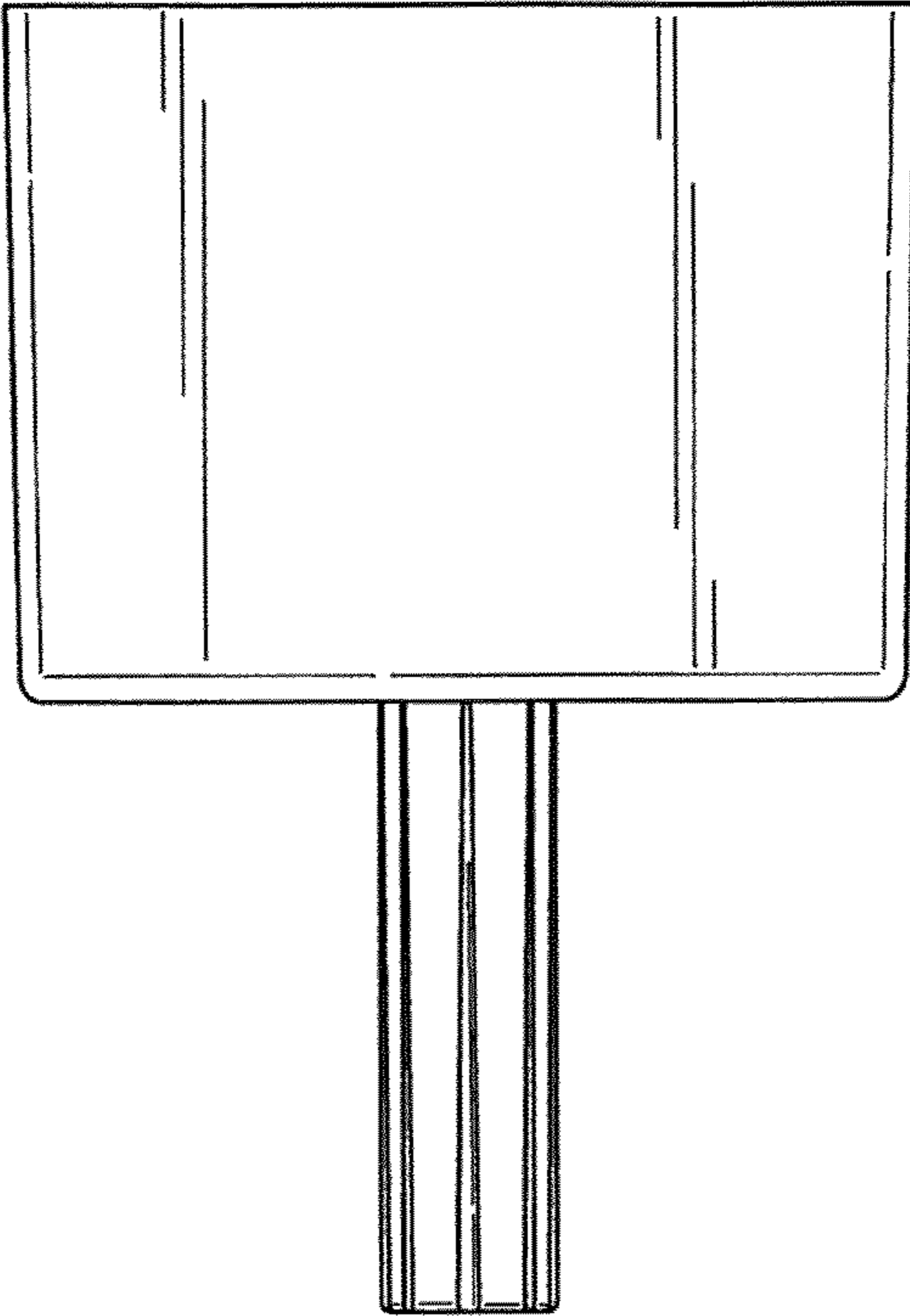


FIG. 3

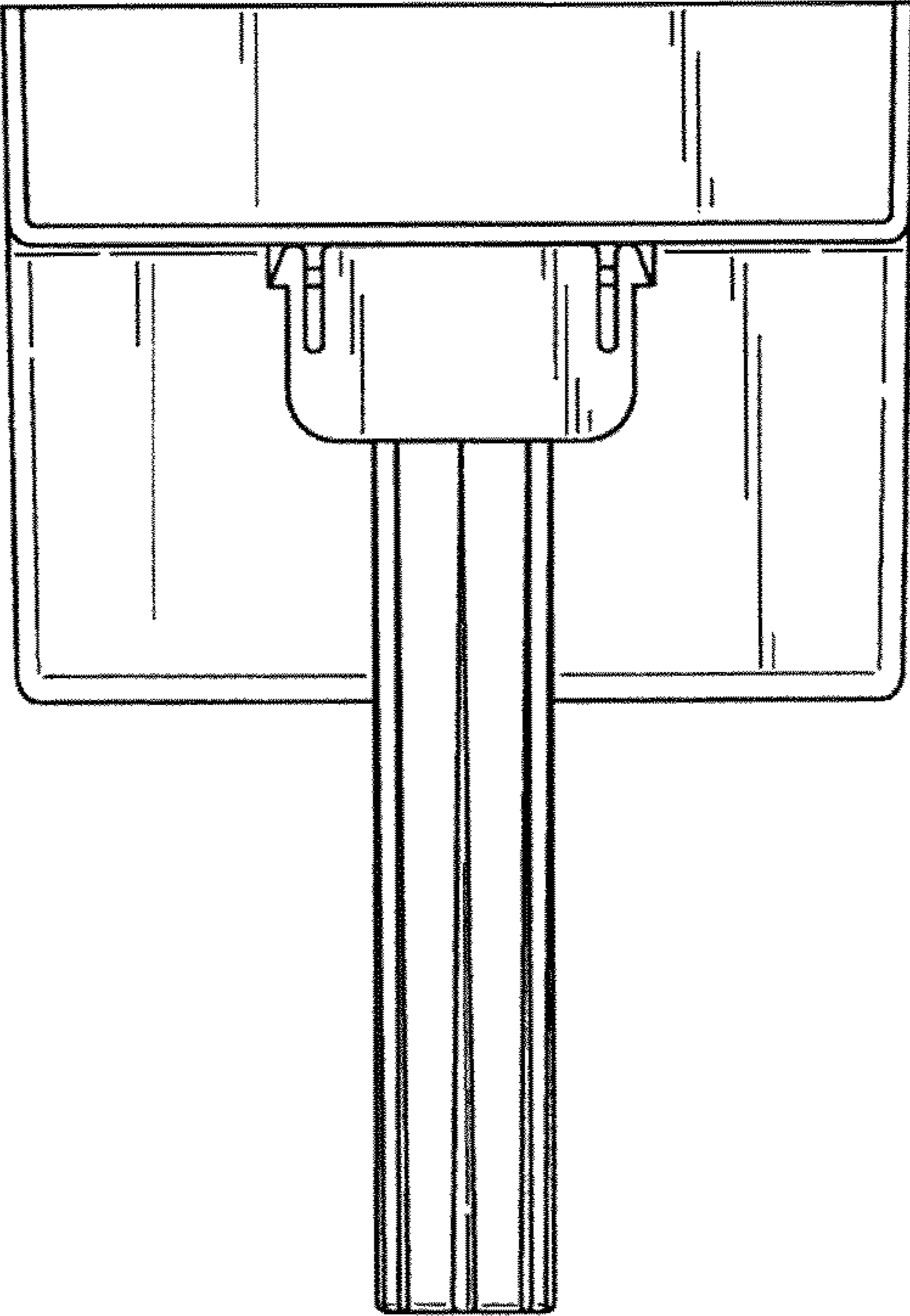


FIG. 4

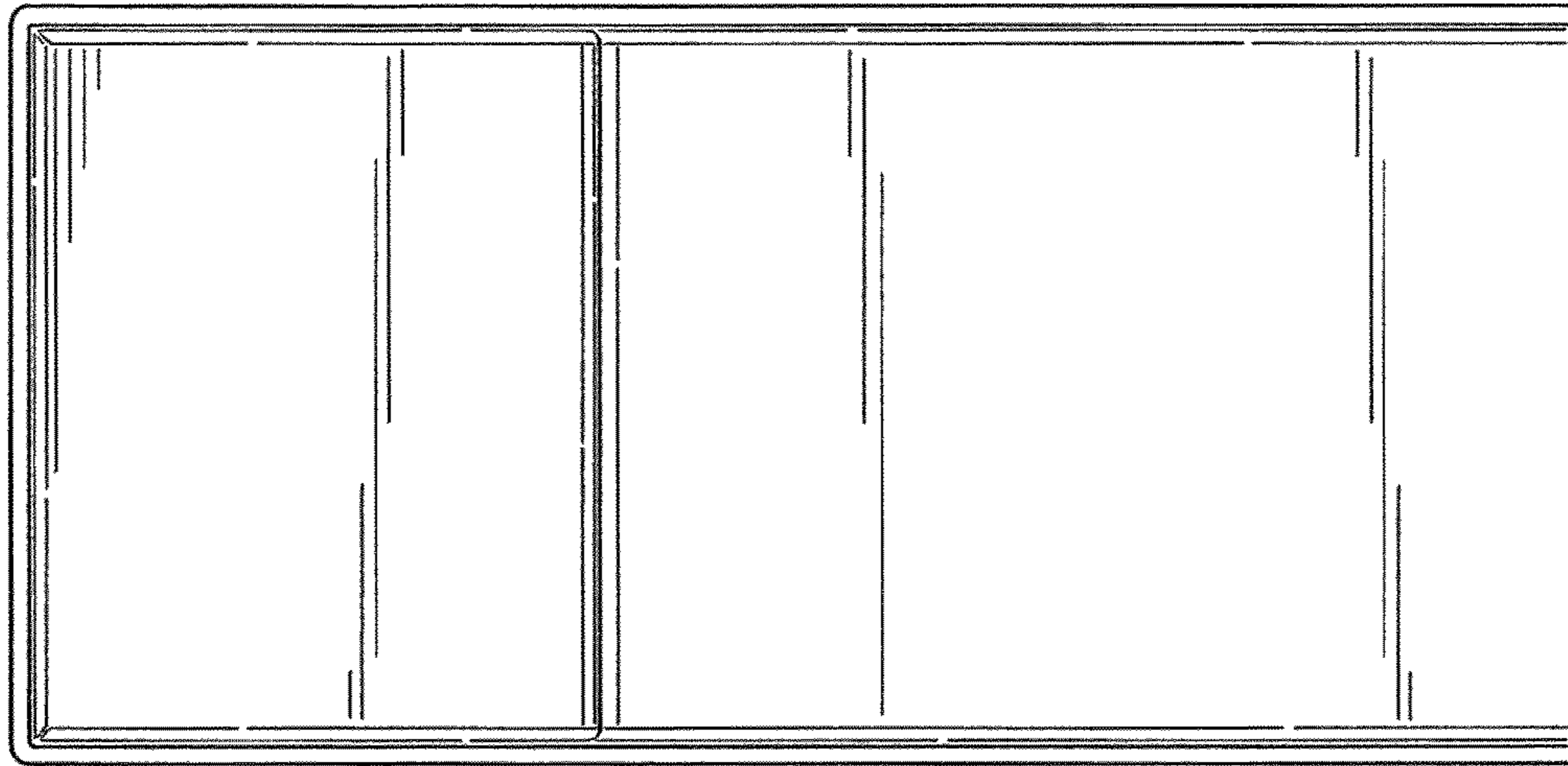


FIG. 5

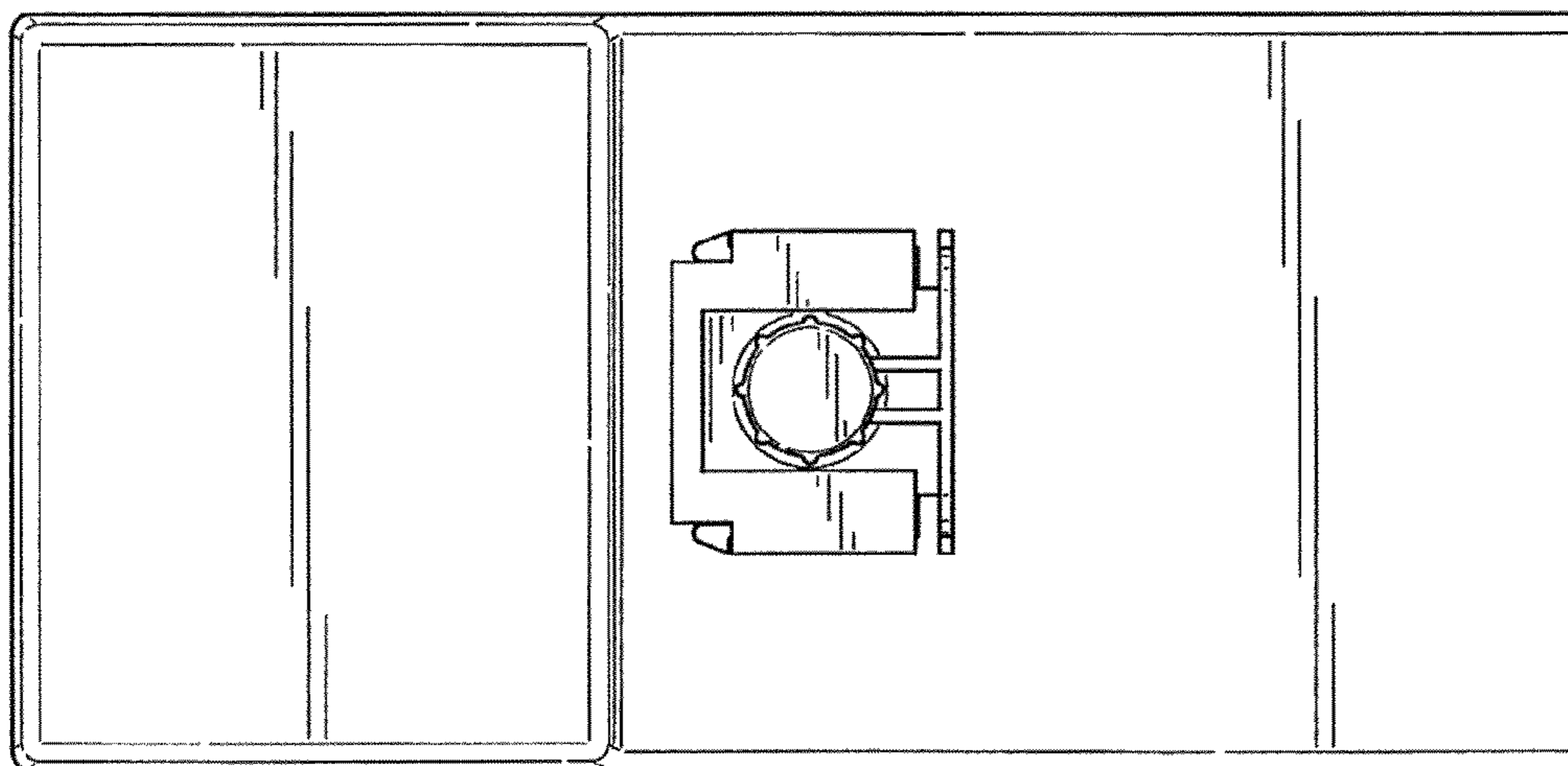


FIG. 6

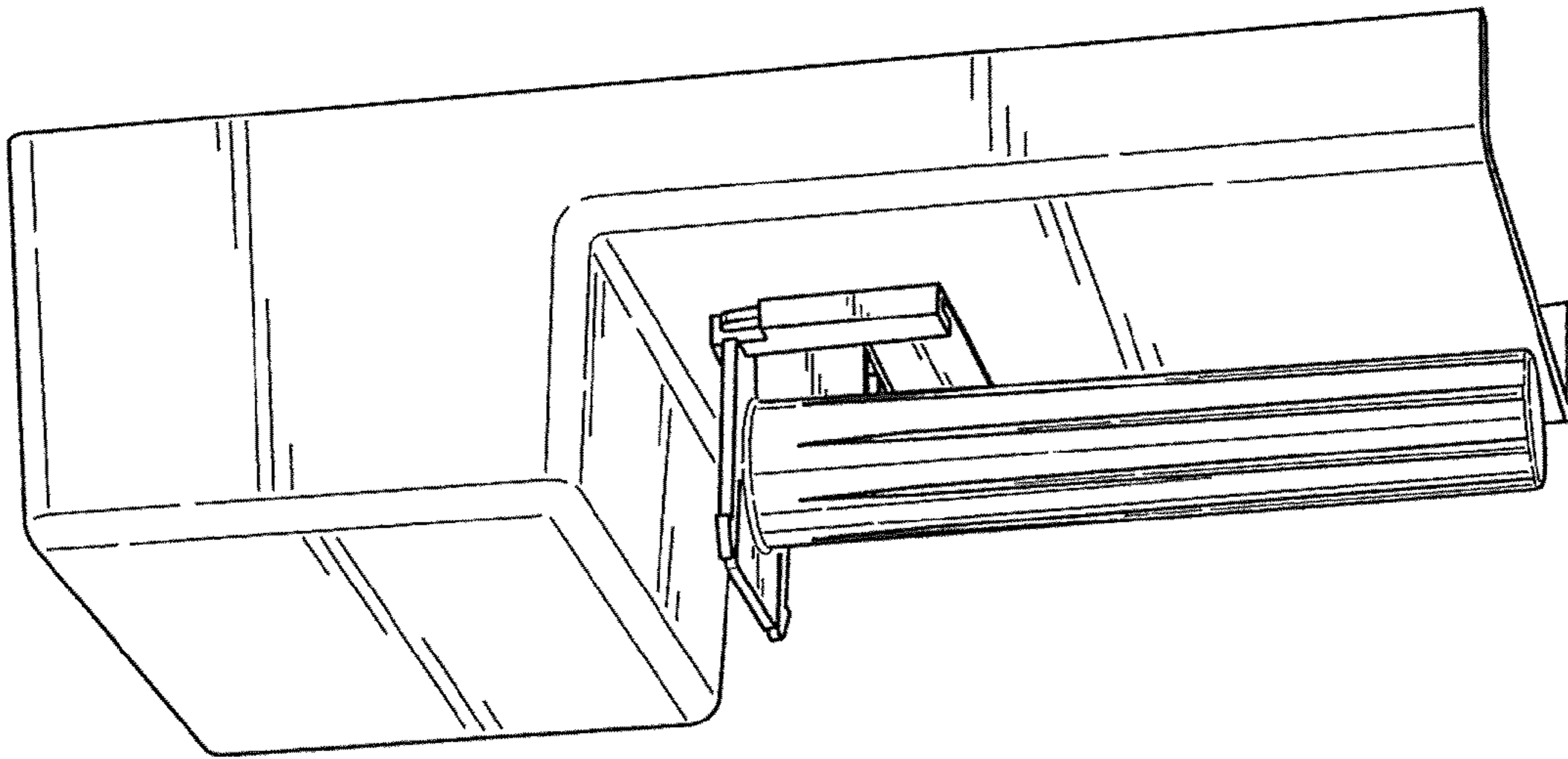


FIG. 7