



US00D625974S

(12) **United States Design Patent**
Reynard

(10) **Patent No.:** **US D625,974 S**
(45) **Date of Patent:** **** Oct. 26, 2010**

(54) **RATCHET OPERATED CARGO CONTAINER
CLAMPING DEVICE**

(75) Inventor: **Kenneth Reynard**, North Yorkshire
(GB)

(73) Assignee: **Duraloc Limited**, North Yorkshire (GB)

(**) Term: **14 Years**

(21) Appl. No.: **29/350,961**

(22) Filed: **Nov. 25, 2009**

(51) **LOC (9) Cl.** **08-05**

(52) **U.S. Cl.** **D8/44**

(58) **Field of Classification Search** D8/14,
D8/44; 254/217, 218; 410/69, 100-101,
410/103, 106

See application file for complete search history.

(56) **References Cited**

U.S. PATENT DOCUMENTS

2,187,298	A *	1/1940	Bletso	254/218
3,399,921	A *	9/1968	Trost et al.	410/69
D338,214	S *	8/1993	Crittenden et al.	D15/145
5,839,864	A *	11/1998	Reynard	410/69
6,511,270	B1 *	1/2003	Burke et al.	410/94
6,884,011	B1 *	4/2005	Saward	410/106
6,974,164	B2 *	12/2005	Brewster	292/109
7,510,358	B2 *	3/2009	Brewster	410/69

OTHER PUBLICATIONS

Container Chassis Twistlock. Downloaded Jun. 6, 2010 at http://www.ecplaza.net/product/139984_621052/container_chassis_twistlock.html.*

* cited by examiner

Primary Examiner—Philip S Hyder

Assistant Examiner—Roselynn Cody

(74) *Attorney, Agent, or Firm*—Howard & Howard Attorneys PLLC

(57) **CLAIM**

I claim an ornamental design for a ratchet operated cargo container clamping device, as shown and described.

DESCRIPTION

FIG. 1 is an underside perspective view of the device.

FIG. 2 is a topside perspective view of the device of FIG. 1.

FIG. 3 is a topside plan view of the device of FIG. 1.

FIG. 4 is an underside plan view of the device of FIG. 1.

FIG. 5 is a front elevation view of the device of FIG. 1.

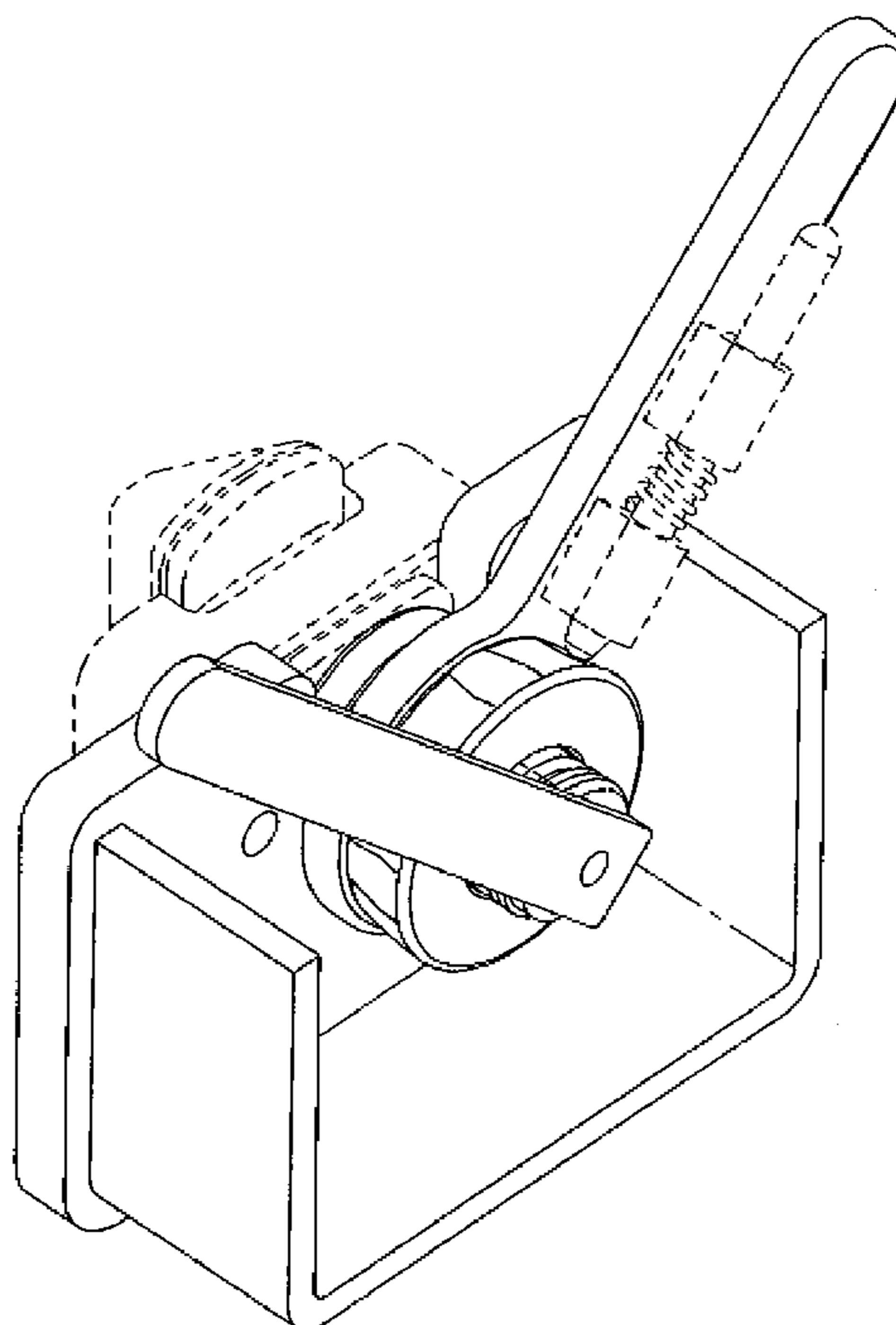
FIG. 6 is a rear elevation view of the device of FIG. 1.

FIG. 7 is a right side elevation view of the device of FIG. 1; and,

FIG. 8 is a left side elevation view of the device of FIG. 1.

The broken lines in the drawings depict portions of the design that are included for illustration only and that form no part of the claim.

1 Claim, 8 Drawing Sheets



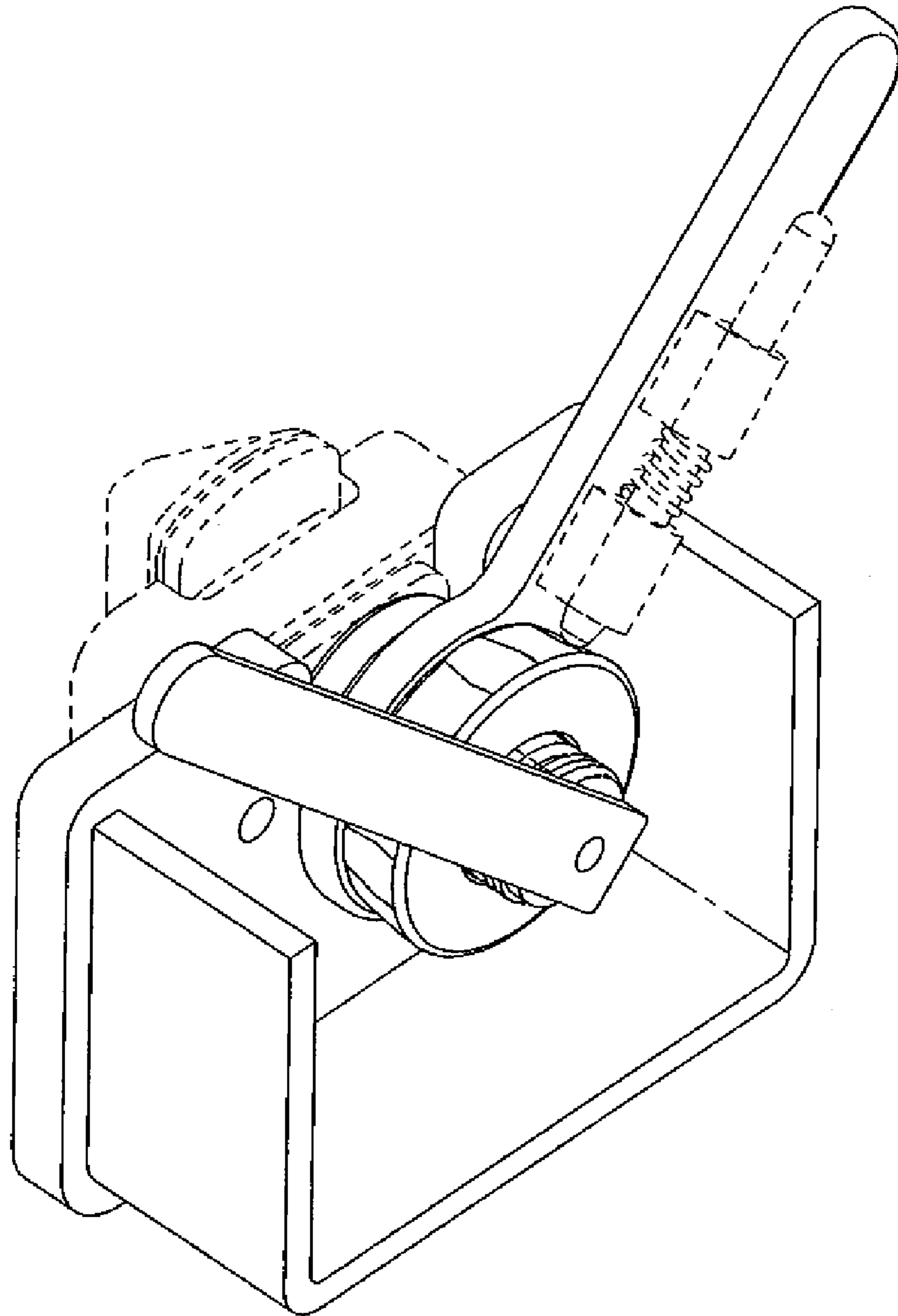


Fig. 1

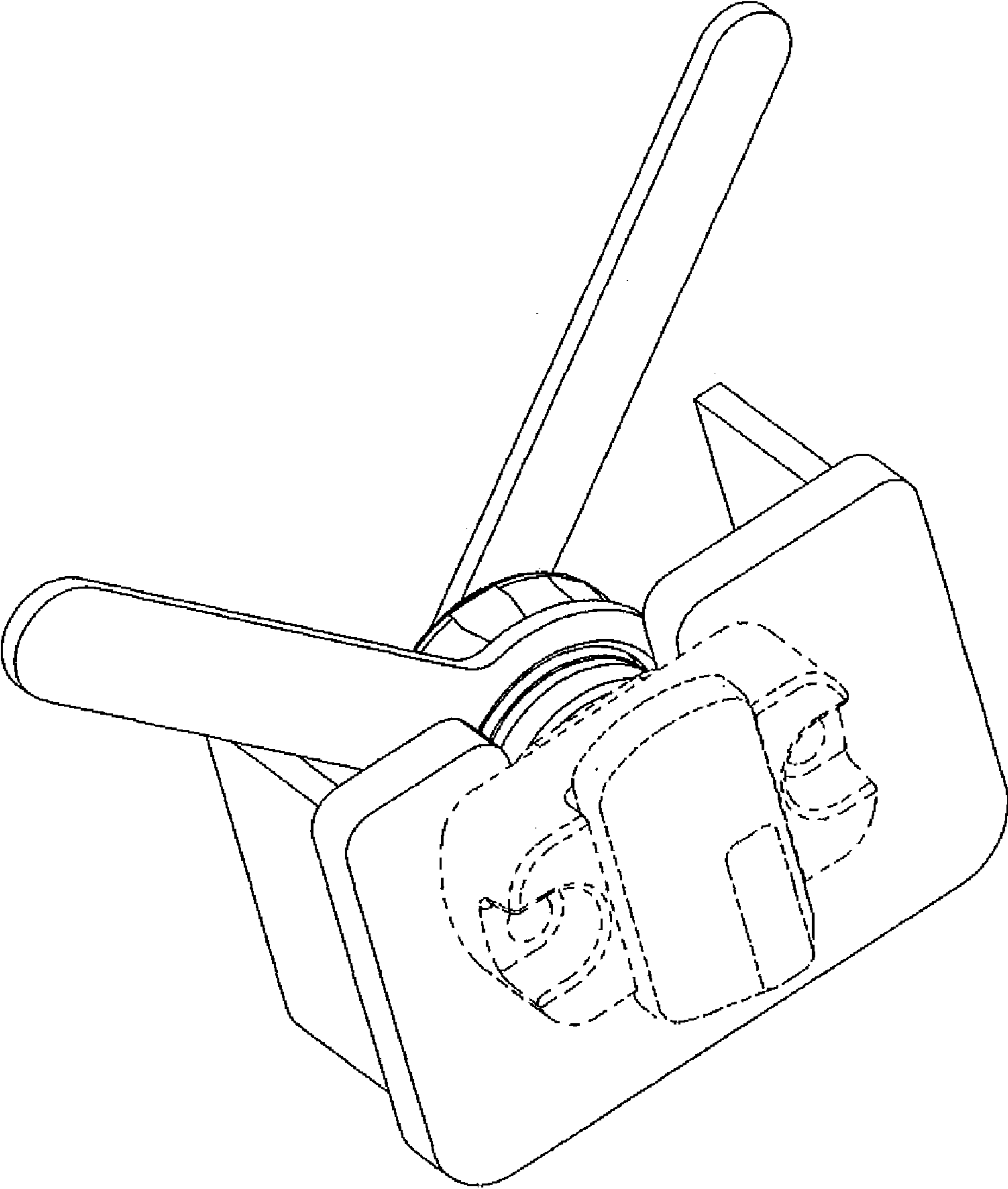


Fig. 2

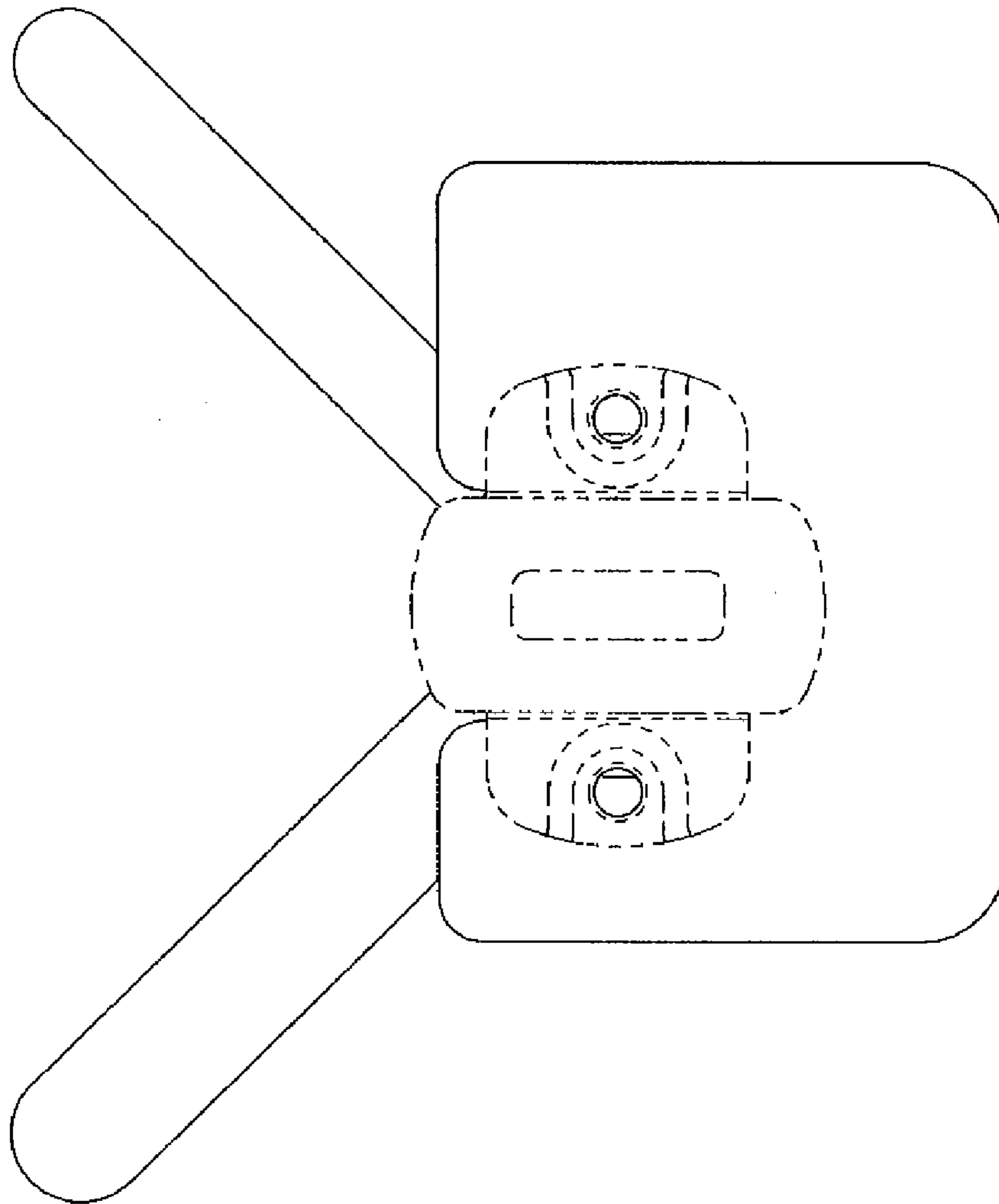


Fig. 3

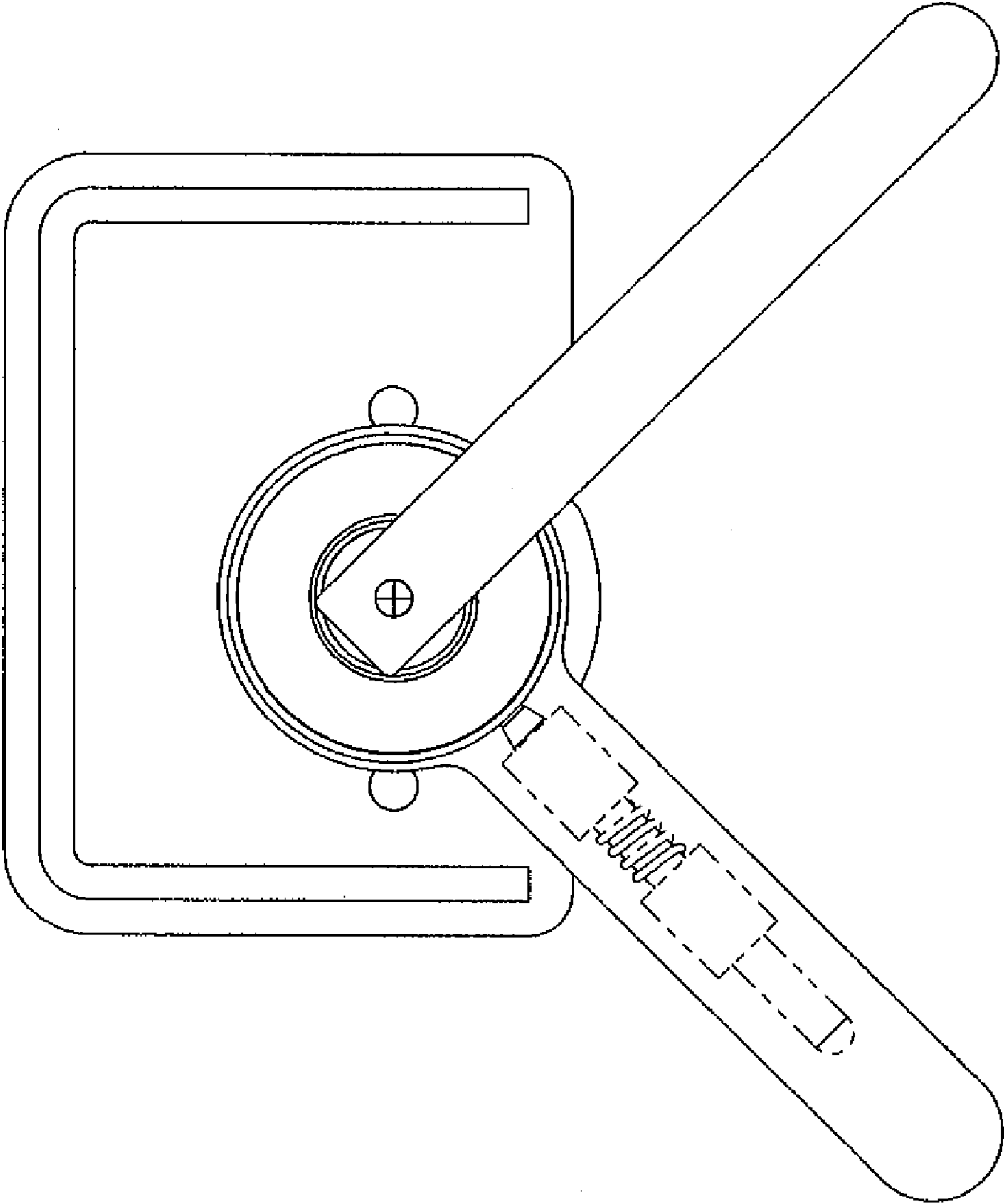


Fig. 4

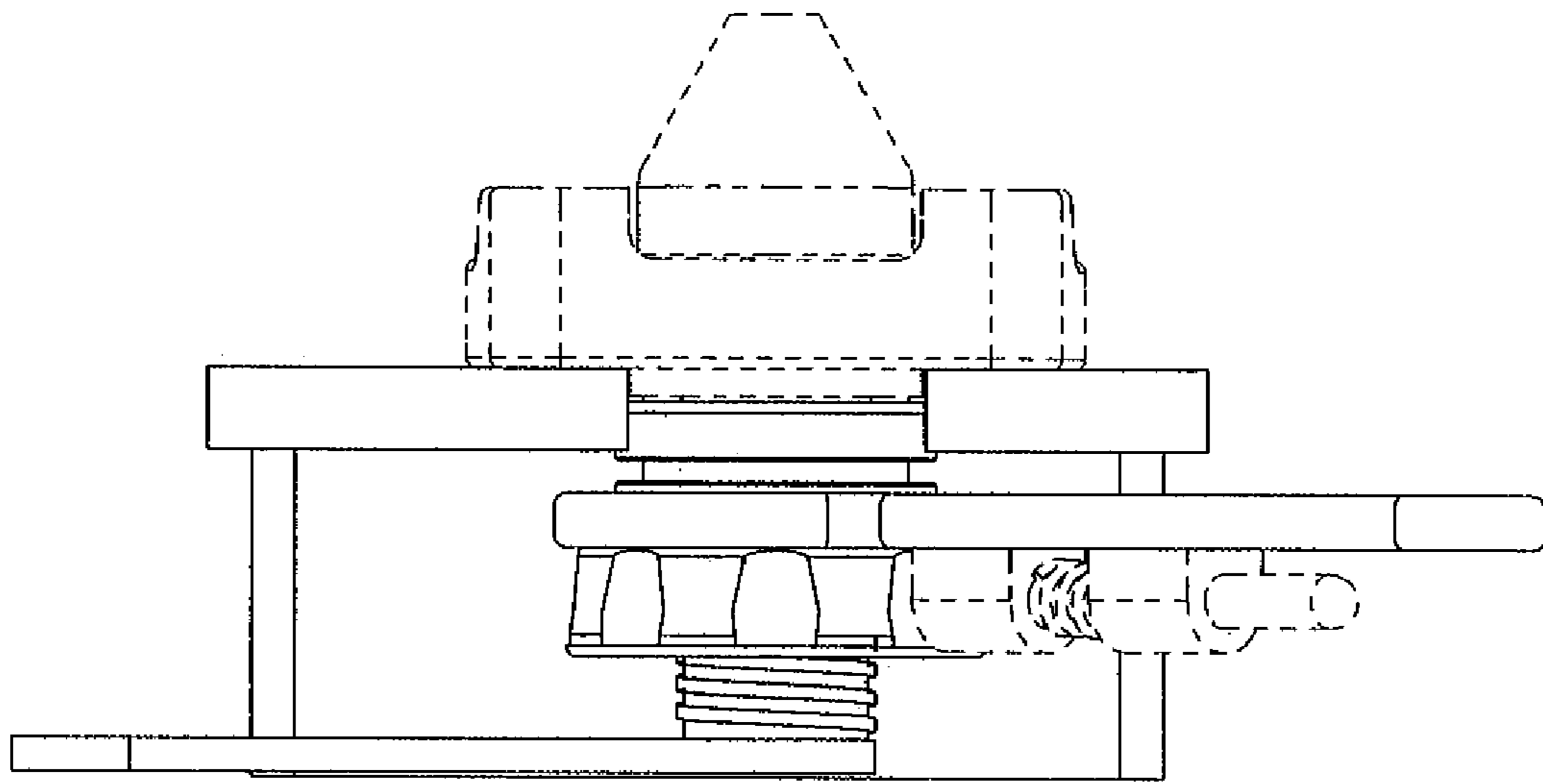


Fig. 5

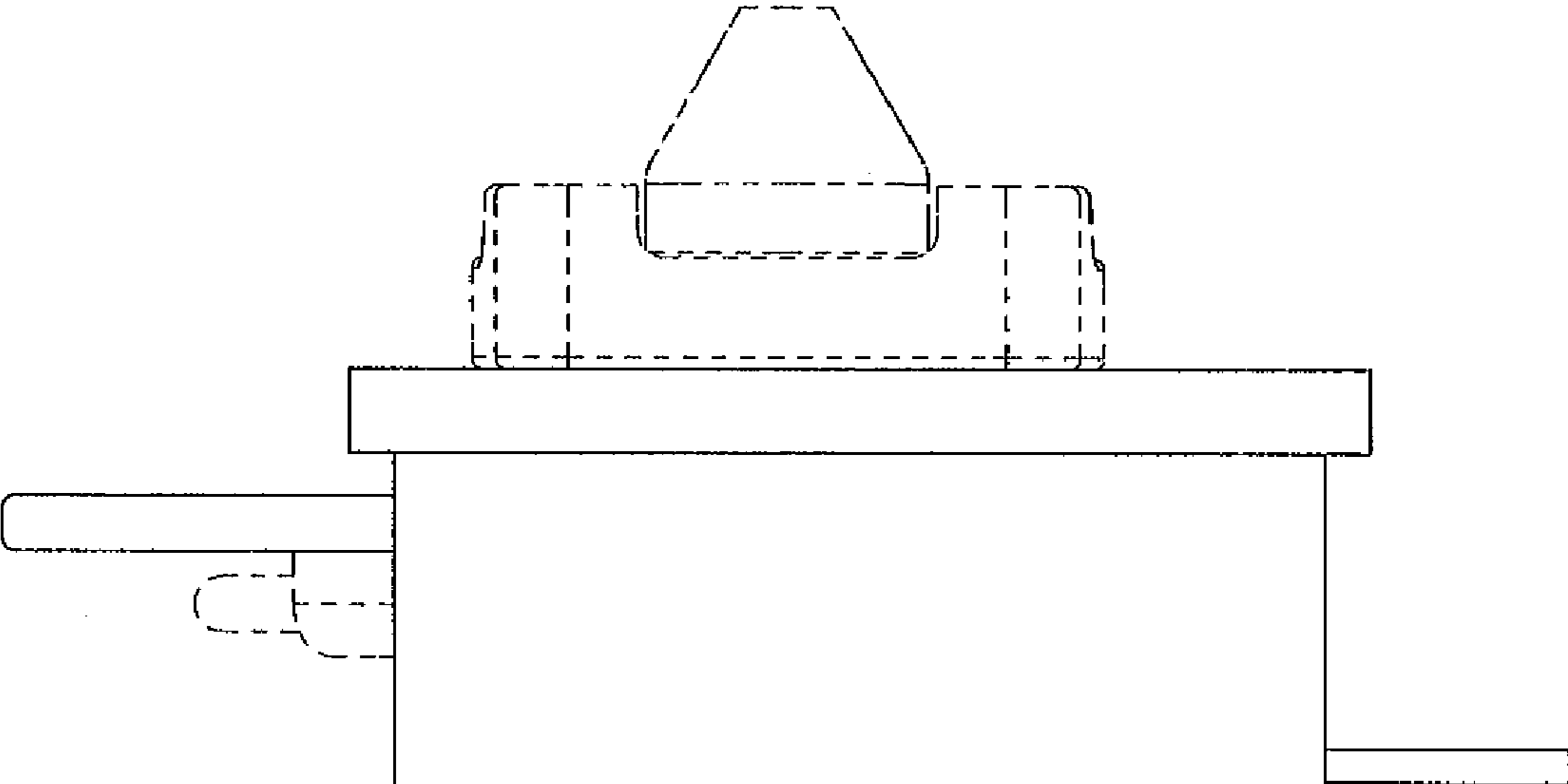


Fig. 6

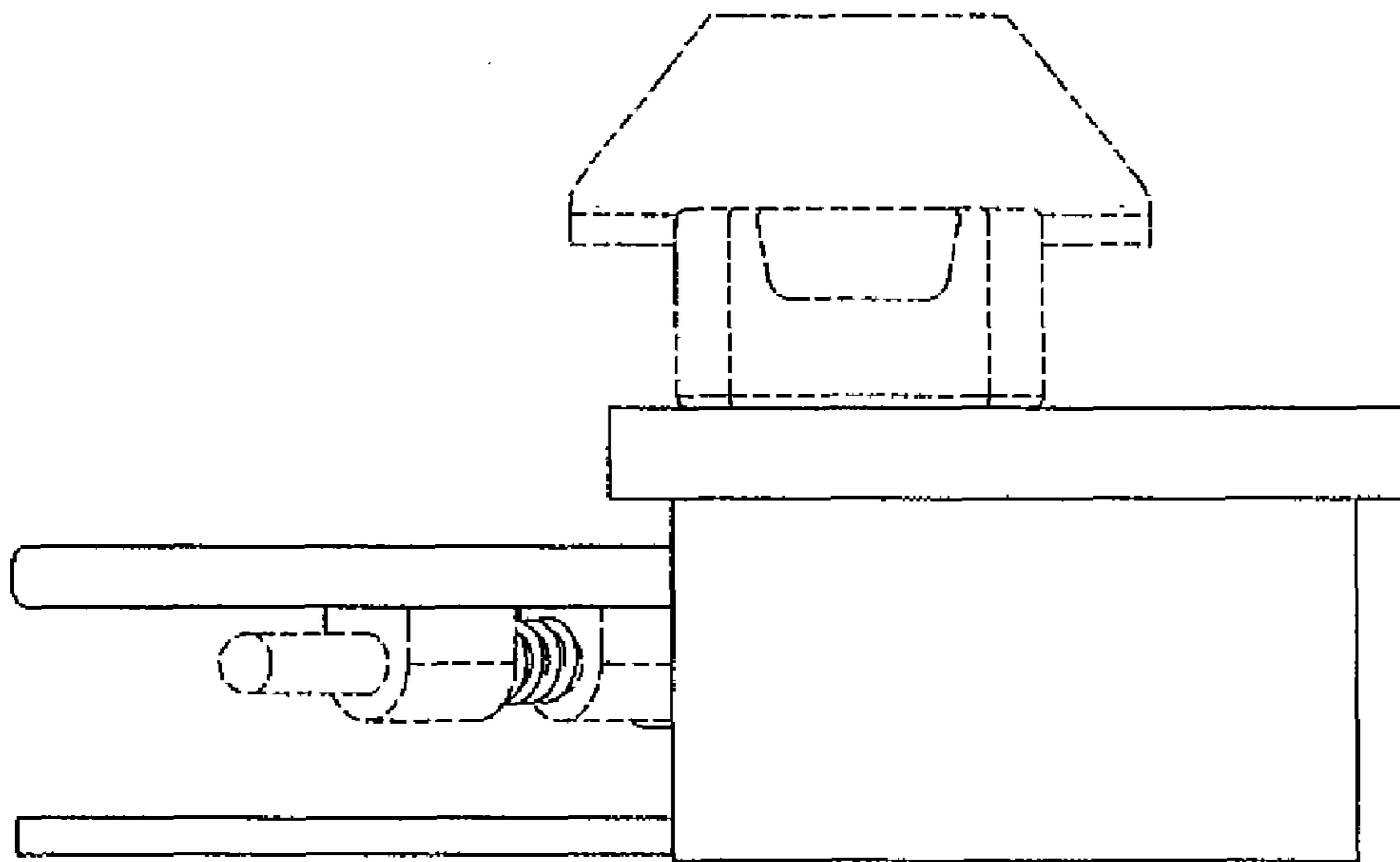


Fig. 7

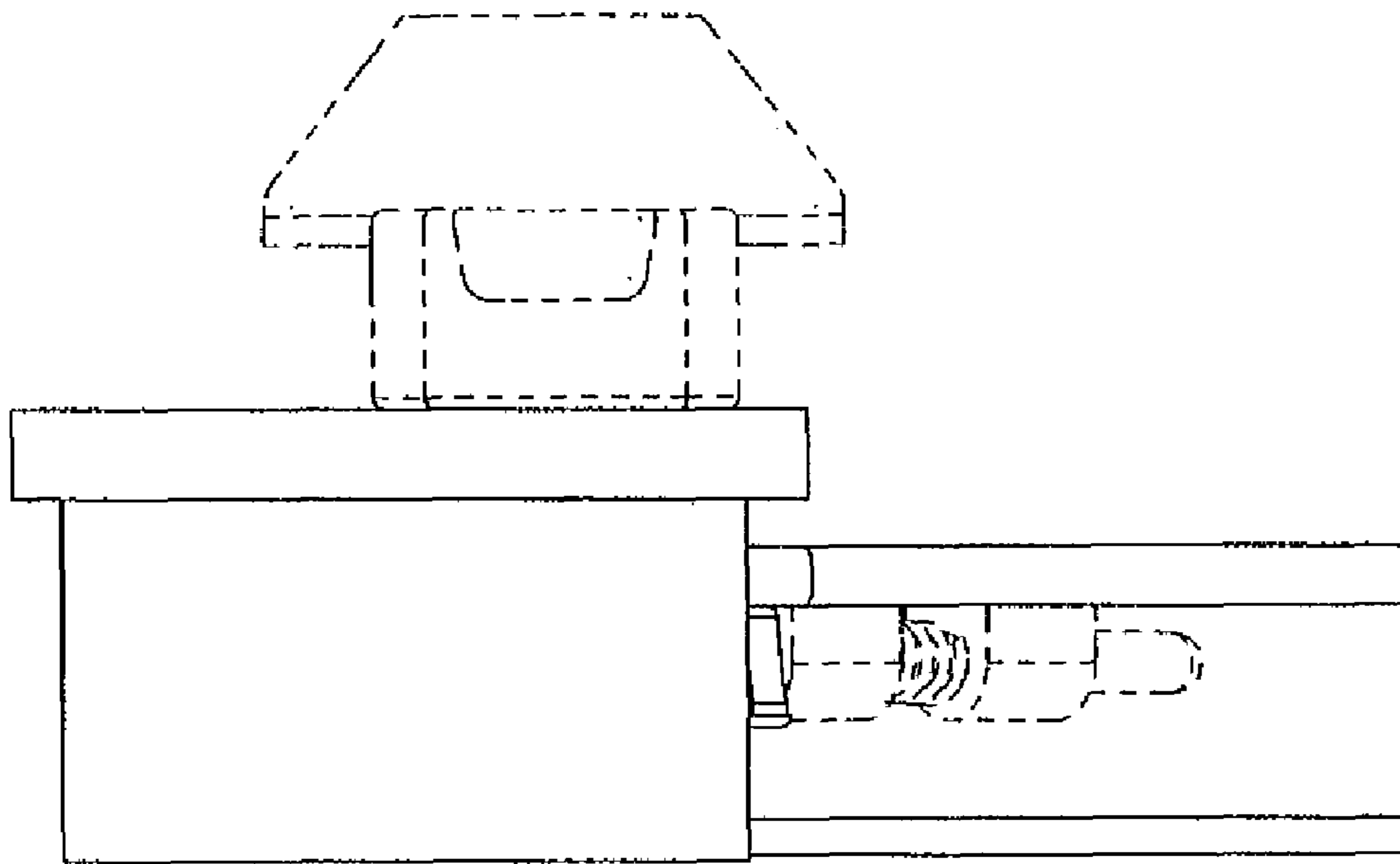


Fig. 8