



US00D625971S

(12) **United States Design Patent**  
**Tinius**

(10) **Patent No.:** **US D625,971 S**

(45) **Date of Patent:** **\*\* Oct. 26, 2010**

(54) **HANDLE**

D581,753 S \* 12/2008 Harris ..... D8/8  
D582,735 S \* 12/2008 Bochmann et al. .... D8/8

(75) Inventor: **Michael Tinius**, Ulm (DE)

\* cited by examiner

(73) Assignee: **Andreas Stihl AG & Co. KG**,  
Waiblingen (DE)

*Primary Examiner*—Holly H Baynham

*Assistant Examiner*—Sheryl Lane

(\*\*) Term: **14 Years**

(74) *Attorney, Agent, or Firm*—McGuireWoods LLP

(21) Appl. No.: **29/346,274**

(57) **CLAIM**

(22) Filed: **Oct. 29, 2009**

I claim the ornamental design for a handle, as shown and described.

(30) **Foreign Application Priority Data**

May 4, 2009 (EM) ..... 001133607-0004

**DESCRIPTION**

(51) **LOC (9) Cl.** ..... **08-01**

FIG. 1 is a left side perspective view of the handle;

(52) **U.S. Cl.** ..... **D8/1**

FIG. 2 is a rear view of the handle shown in FIG. 1;

(58) **Field of Classification Search** ..... D8/1,

FIG. 3 is a front view of the handle shown in FIG. 1;

D8/8, 9, 68; 30/76, 347, 276; 56/12.7; 16/429

FIG. 4 is a left side view of the handle shown in FIG. 1;

See application file for complete search history.

FIG. 5 is a right side view of the handle shown in FIG. 1;

(56) **References Cited**

FIG. 6 is a top view of the handle shown in FIG. 1; and,

**U.S. PATENT DOCUMENTS**

FIG. 7 is a bottom view of the handle shown in FIG. 1.

D255,640 S \* 7/1980 Pittinger, Sr. .... D8/8

The subject matter shown in dashed lines, and any surfaces of the design not shown, including interior surfaces, form no part of the claimed invention.

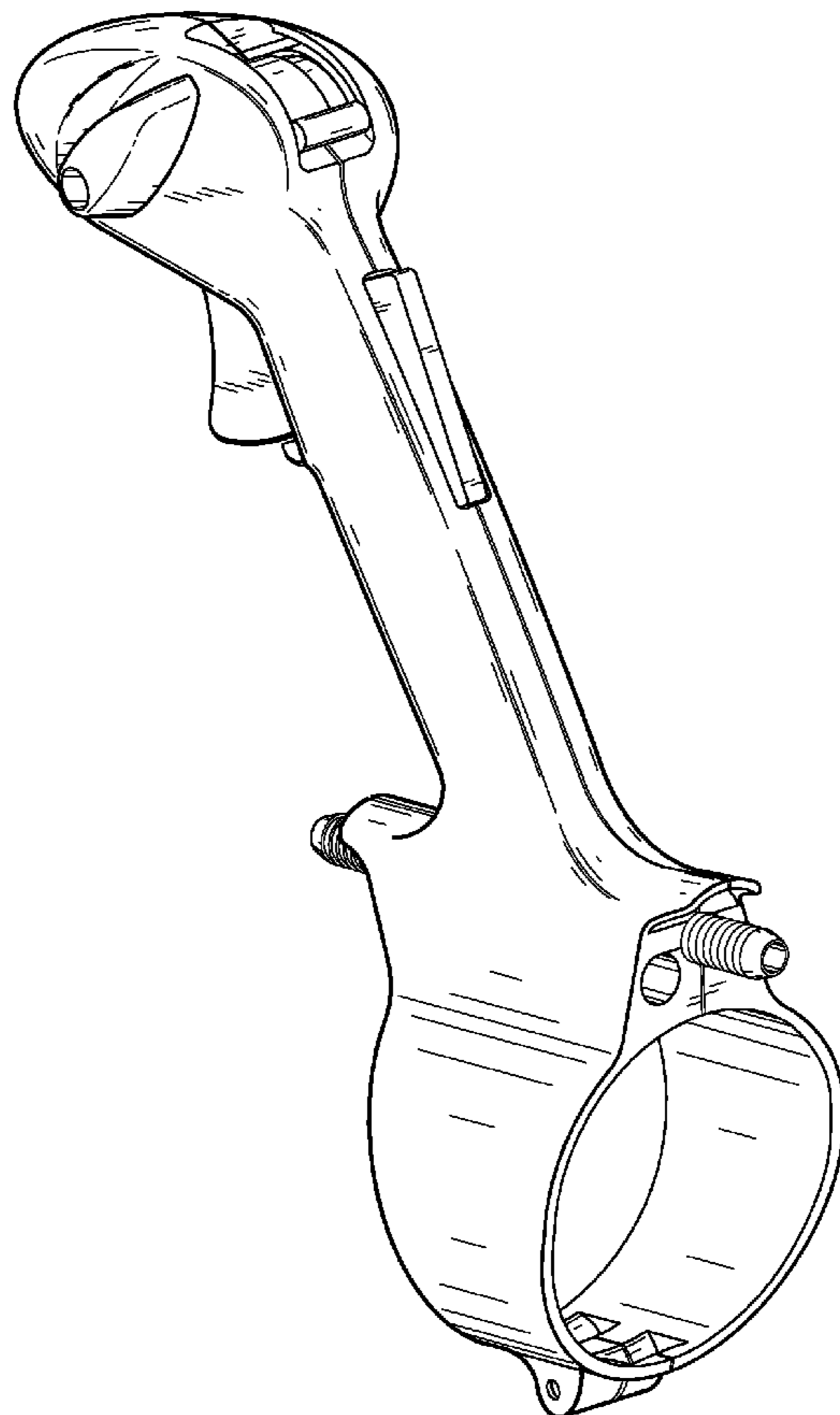
D414,088 S \* 9/1999 Juratovac et al. .... D8/8

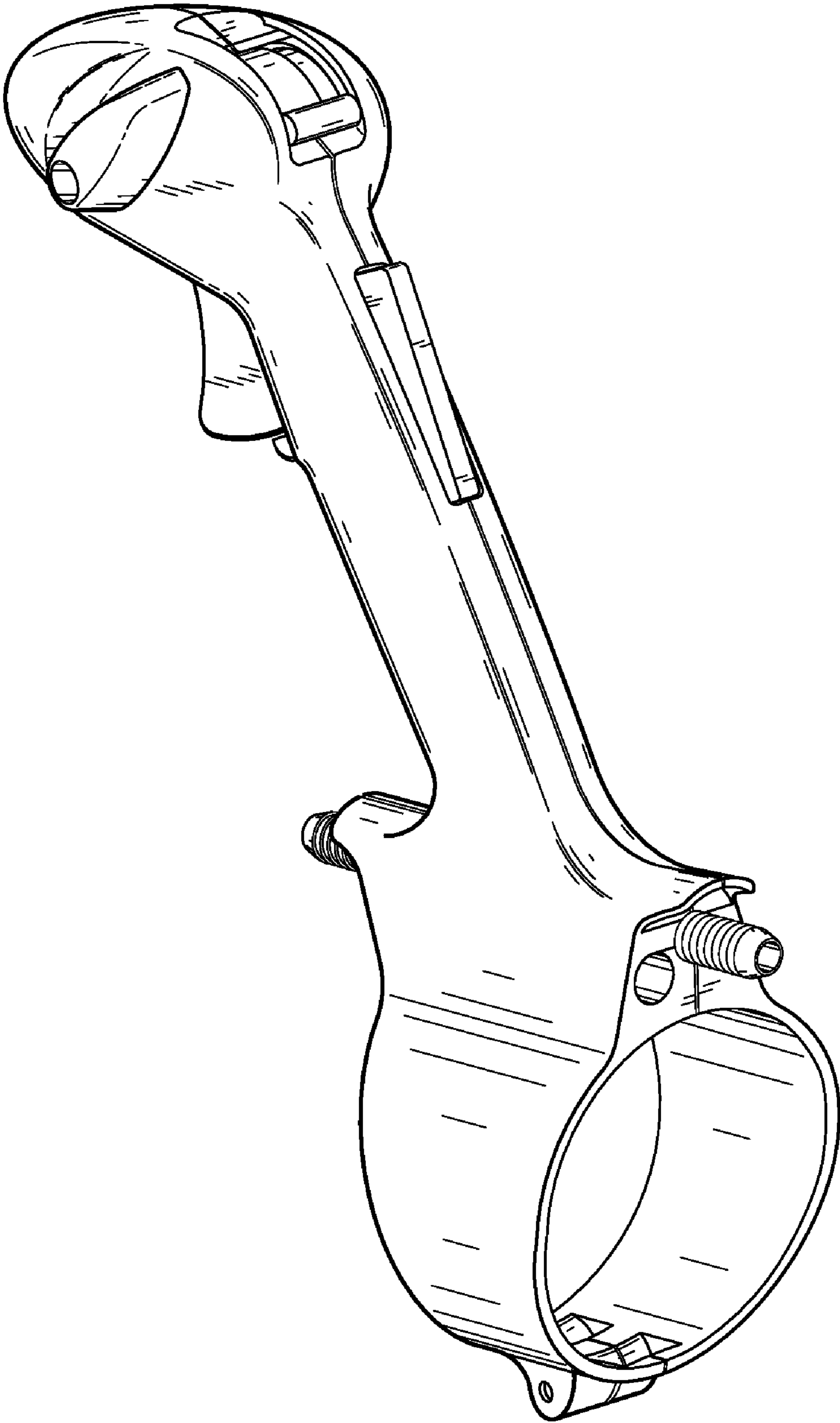
6,581,246 B1 \* 6/2003 Polette ..... 16/429

D487,216 S \* 3/2004 Arvidsson et al. .... D8/8

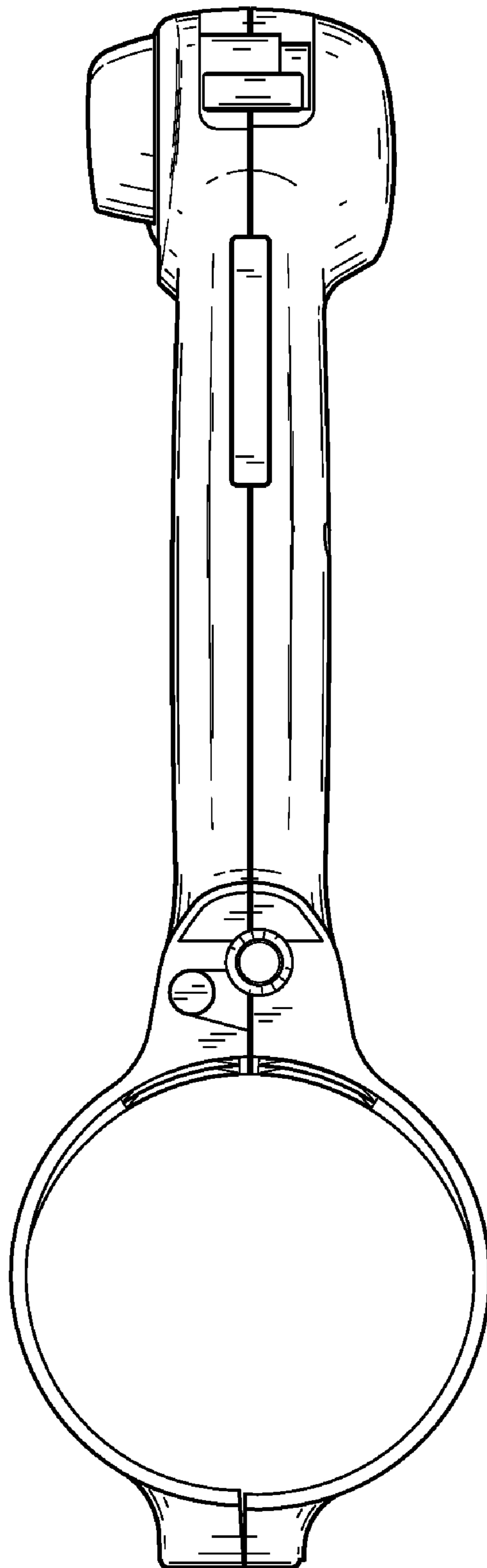
D580,237 S \* 11/2008 Bradford ..... D8/8

**1 Claim, 7 Drawing Sheets**

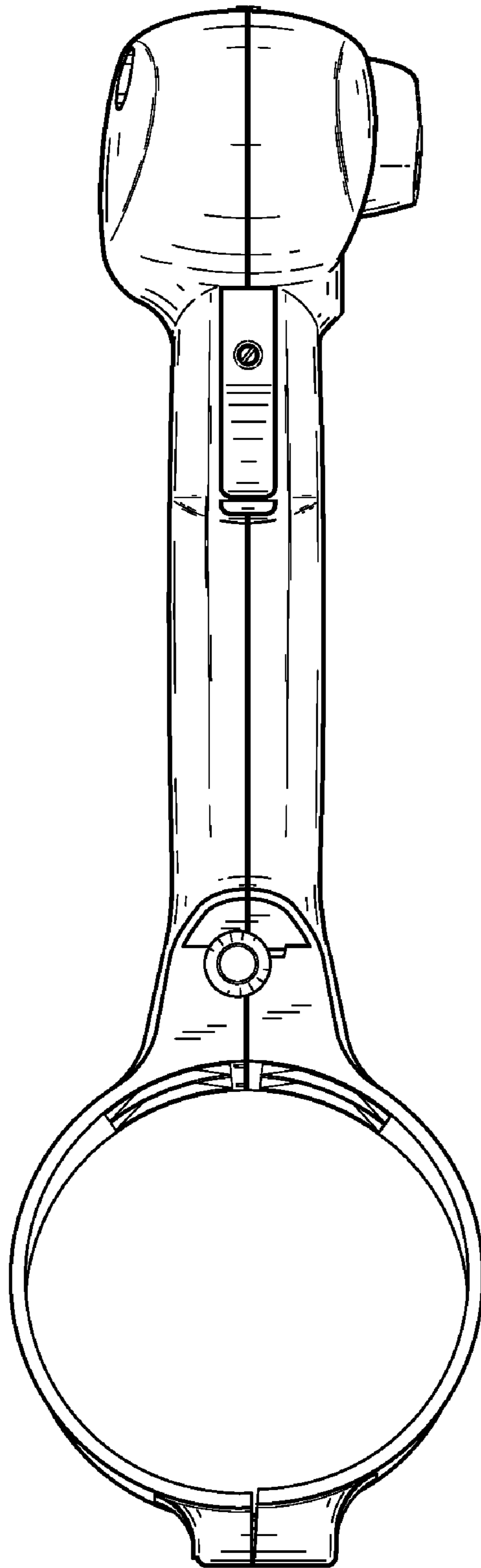




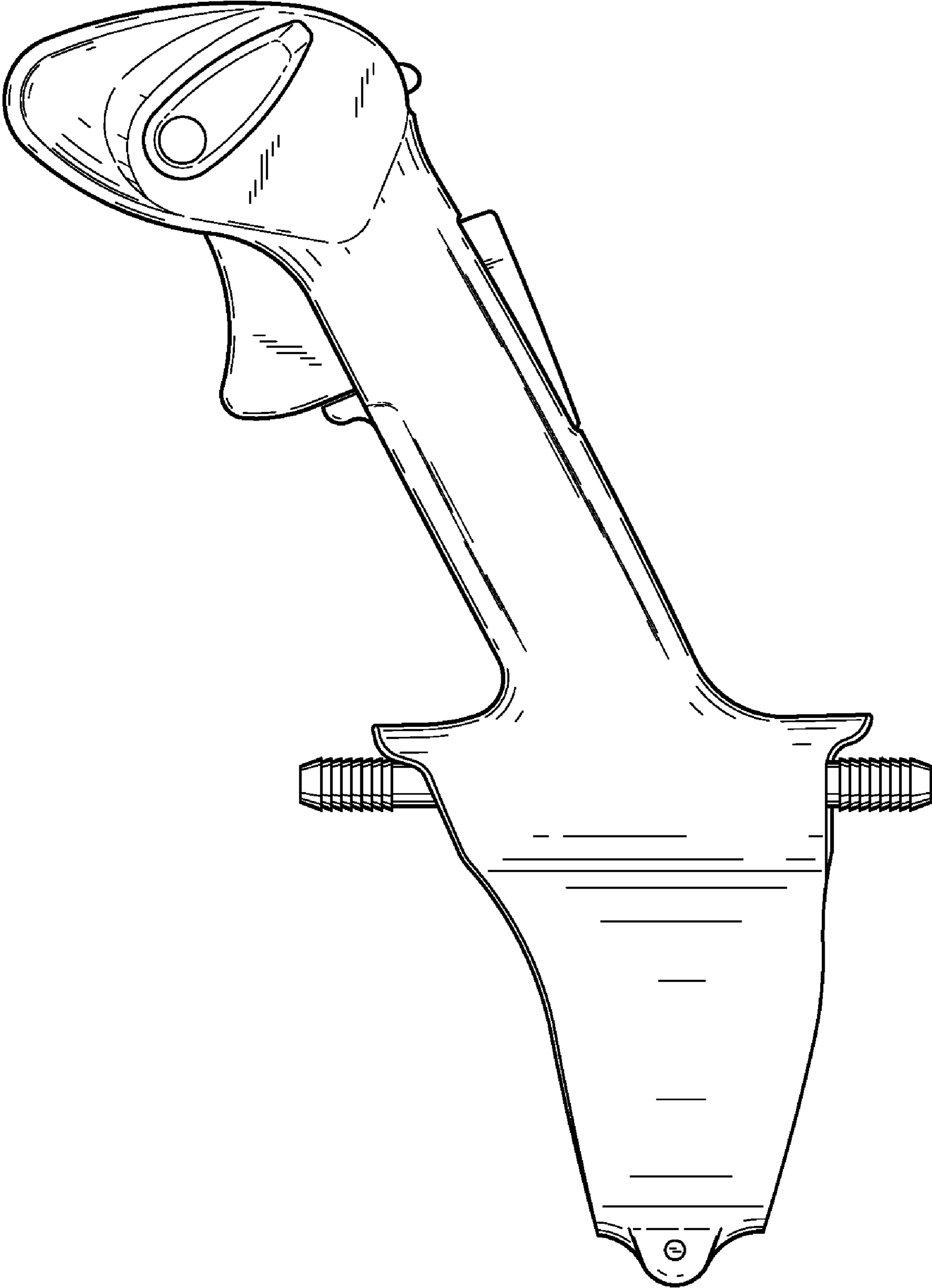
*FIG. 1*



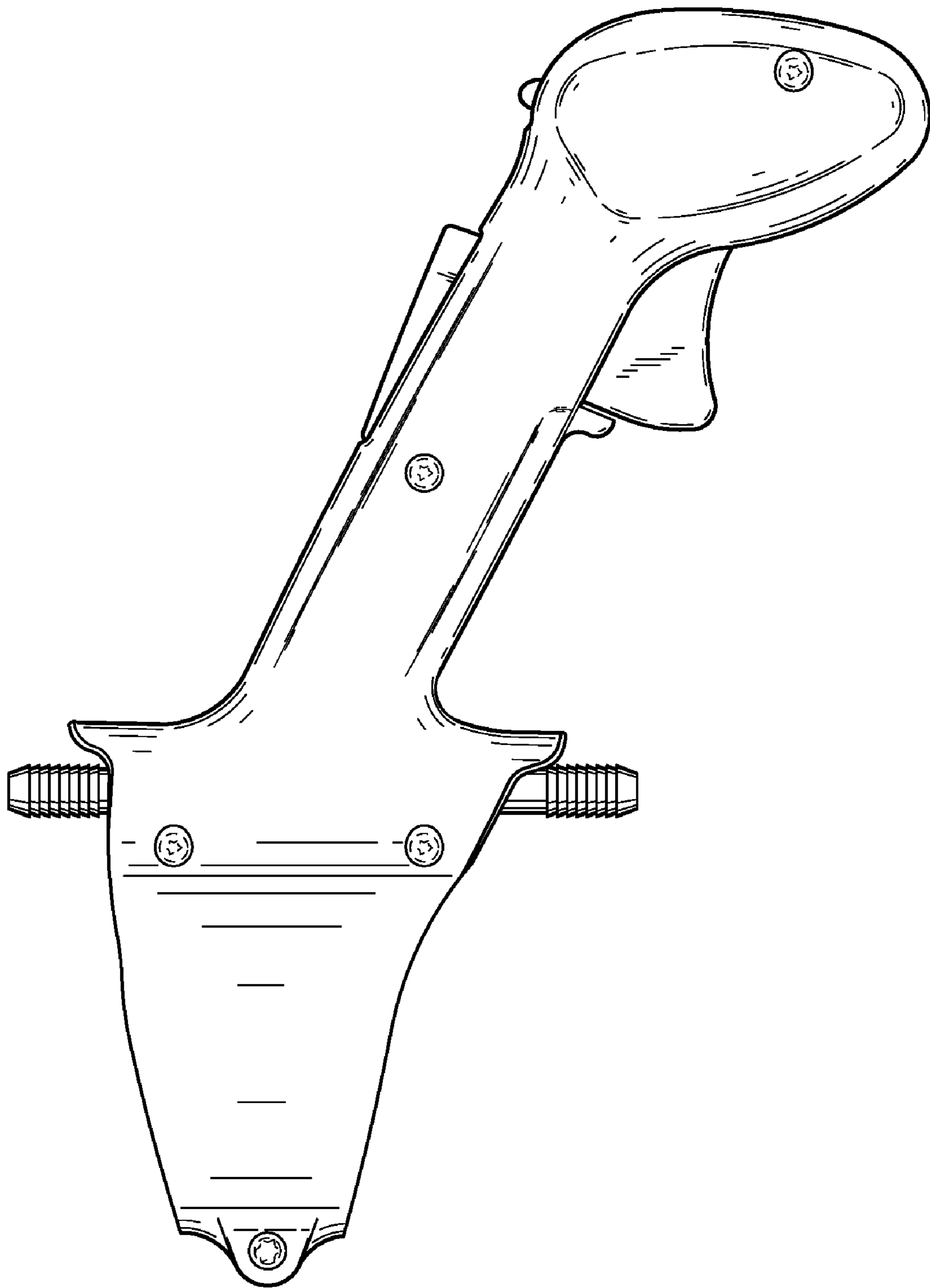
*FIG. 2*



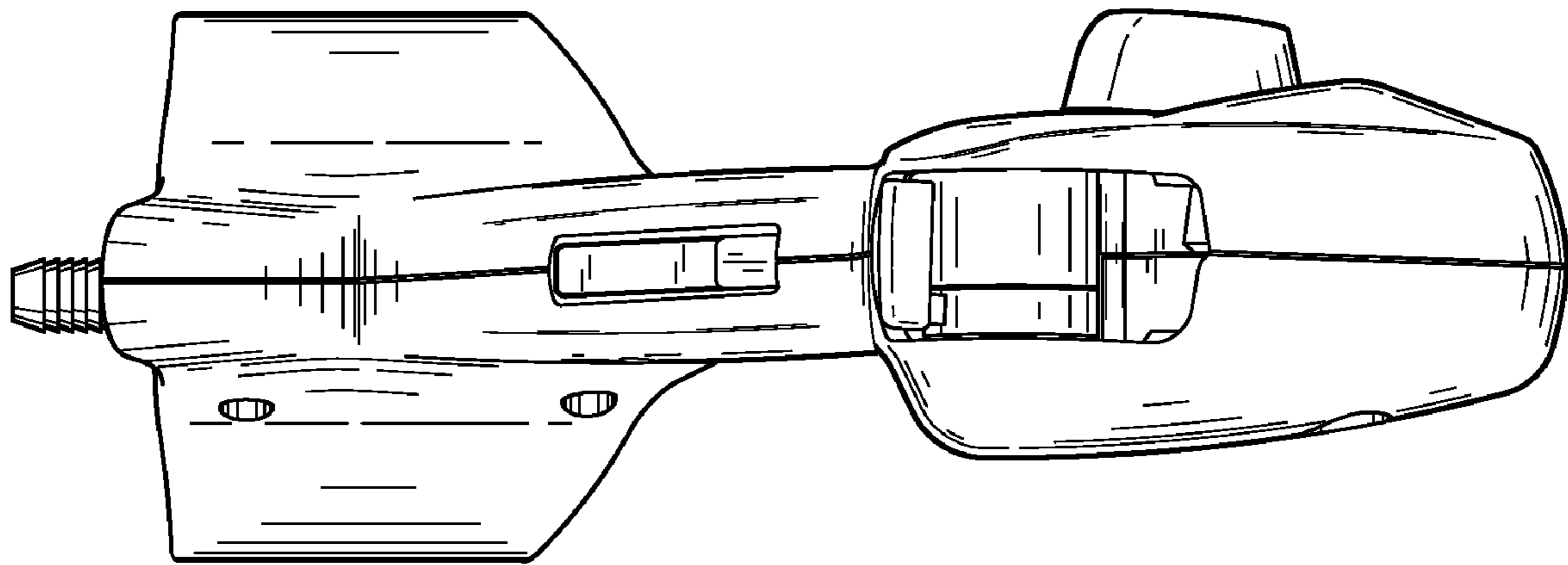
*FIG. 3*



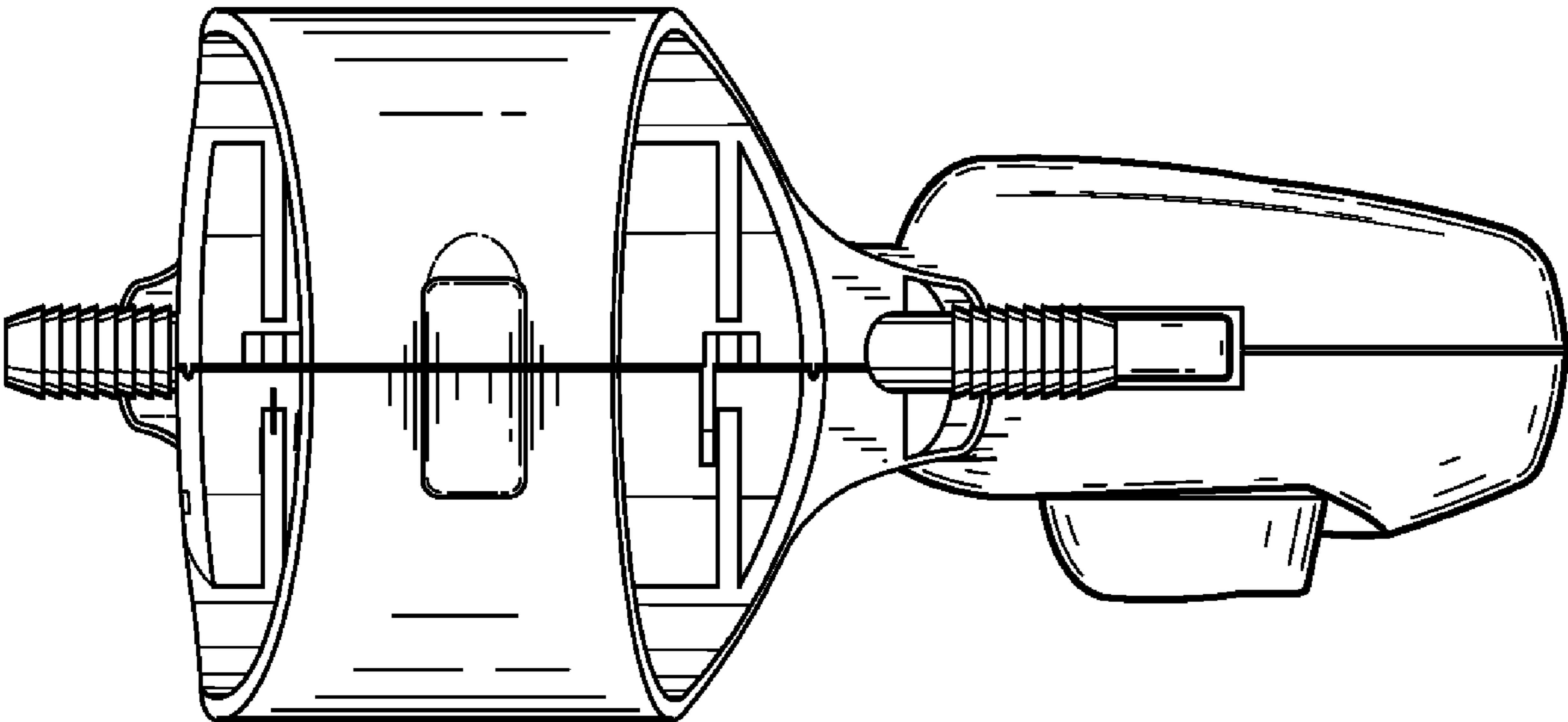
*FIG. 4*



*FIG. 5*



*FIG. 6*



*FIG. 7*