



US00D625970S

(12) **United States Design Patent**
Tinius

(10) **Patent No.:** **US D625,970 S**

(45) **Date of Patent:** **** Oct. 26, 2010**

(54) **HANDLE**

D581,753 S * 12/2008 Harris D8/8
D582,735 S * 12/2008 Bochmann et al. D8/8

(75) Inventor: **Michael Tinius**, Ulm (DE)

* cited by examiner

(73) Assignee: **Andreas Stihl AG & Co. KG**,
Waiblingen (DE)

Primary Examiner—Holly H Baynham

Assistant Examiner—Sheryl Lane

(**) Term: **14 Years**

(74) *Attorney, Agent, or Firm*—McGuireWoods LLP

(21) Appl. No.: **29/346,271**

(57) **CLAIM**

(22) Filed: **Oct. 29, 2009**

I claim the ornamental design for a handle, as shown and described.

(30) **Foreign Application Priority Data**

May 4, 2009 (EM) 001133607-0008

DESCRIPTION

(51) **LOC (9) Cl.** **08-01**

(52) **U.S. Cl.** **D8/1**

(58) **Field of Classification Search** D8/1,
D8/8, 9, 68; 30/76, 347, 276; 56/12.7; 16/429
See application file for complete search history.

FIG. 1 is a left side perspective view of the handle;

FIG. 2 is a rear view of the handle shown in FIG. 1;

FIG. 3 is a front view of the handle shown in FIG. 1;

FIG. 4 is a left side view of the handle shown in FIG. 1;

FIG. 5 is a right side view of the handle shown in FIG. 1;

FIG. 6 is a top view of the handle shown in FIG. 1; and,

FIG. 7 is a bottom view of the handle shown in FIG. 1.

(56) **References Cited**

U.S. PATENT DOCUMENTS

D255,640 S * 7/1980 Pittinger, Sr. D8/8

D414,088 S * 9/1999 Juratovac et al. D8/8

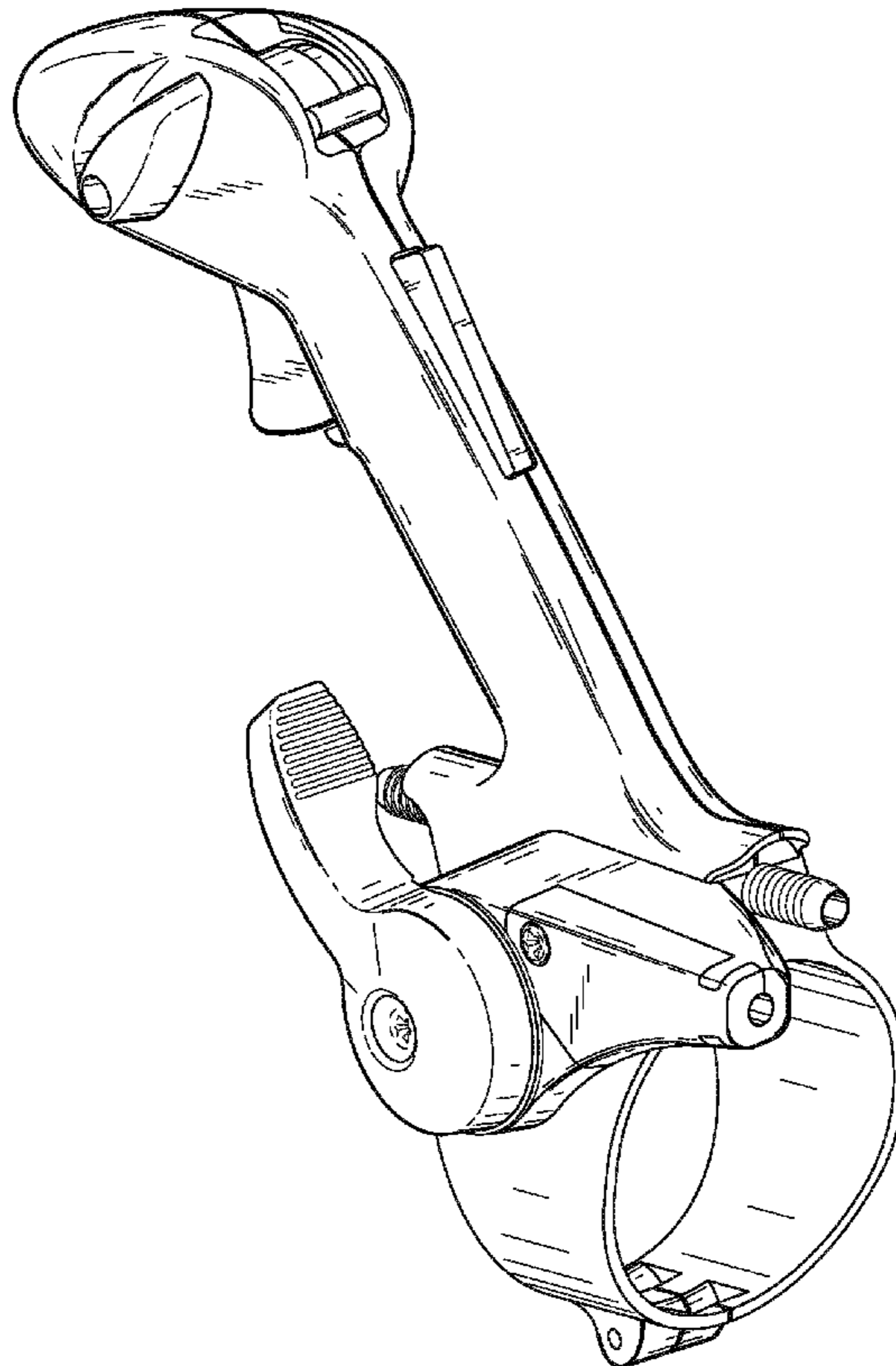
6,581,246 B1 * 6/2003 Polette 16/429

D487,216 S * 3/2004 Arvidsson et al. D8/8

D580,237 S * 11/2008 Bradford D8/8

The subject matter shown in dashed lines, and any surfaces of the design not shown, including interior surfaces, form no part of the claimed invention.

1 Claim, 7 Drawing Sheets



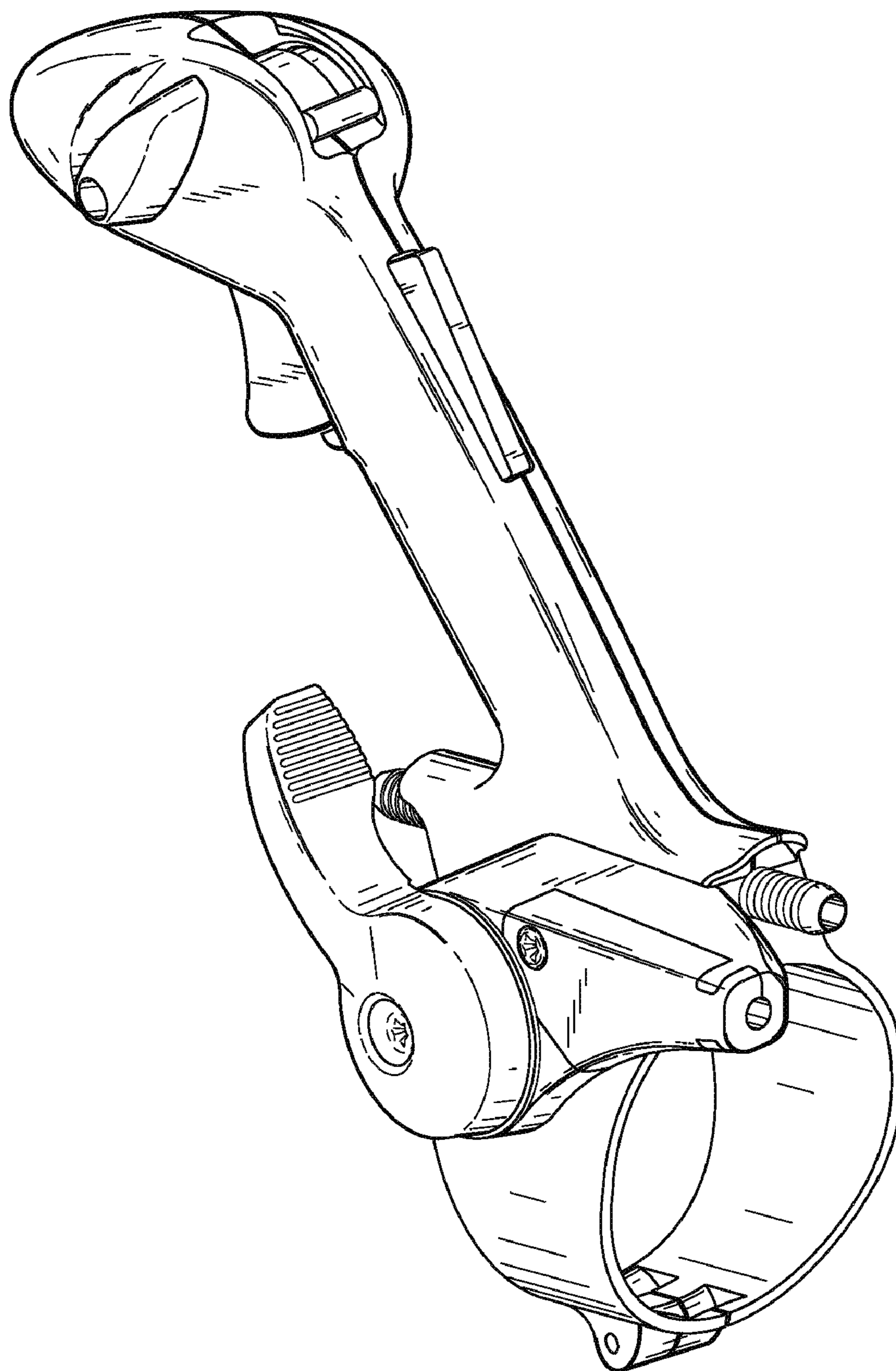


FIG. 1

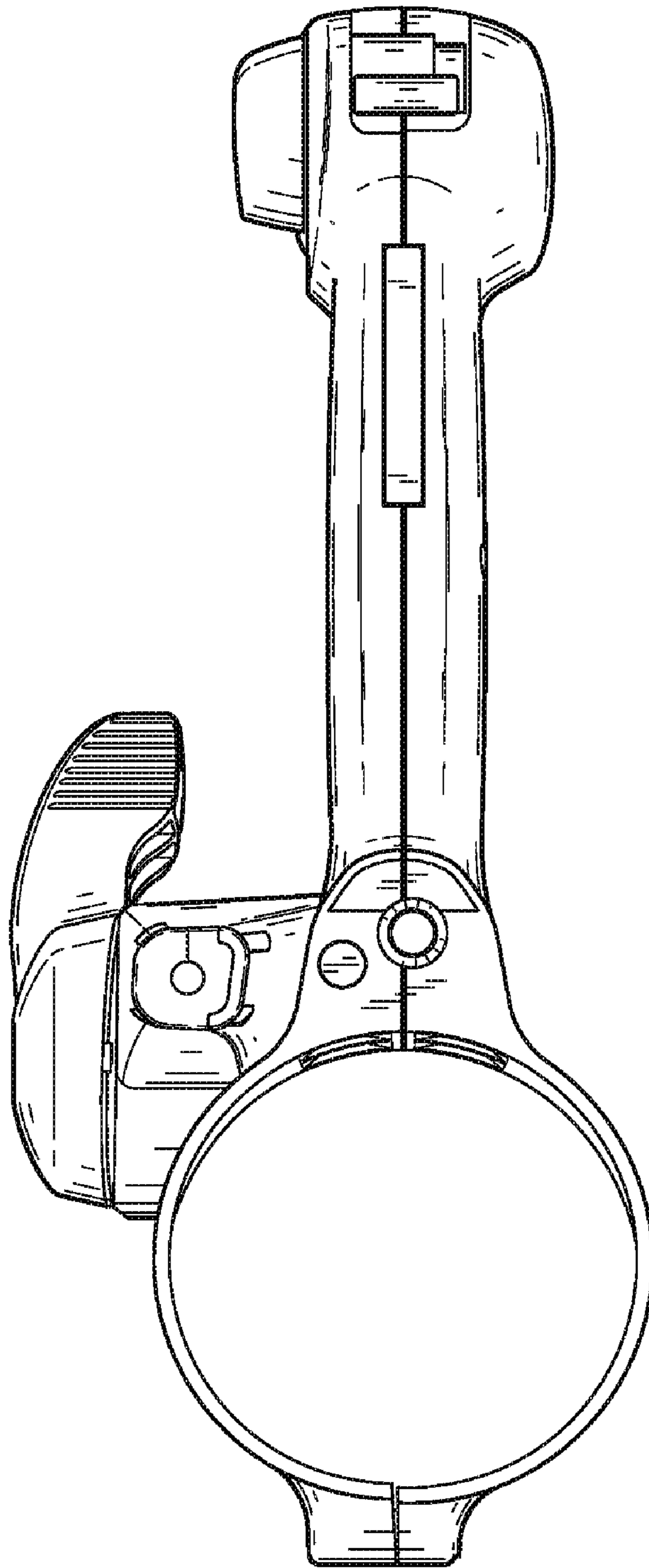


FIG. 2

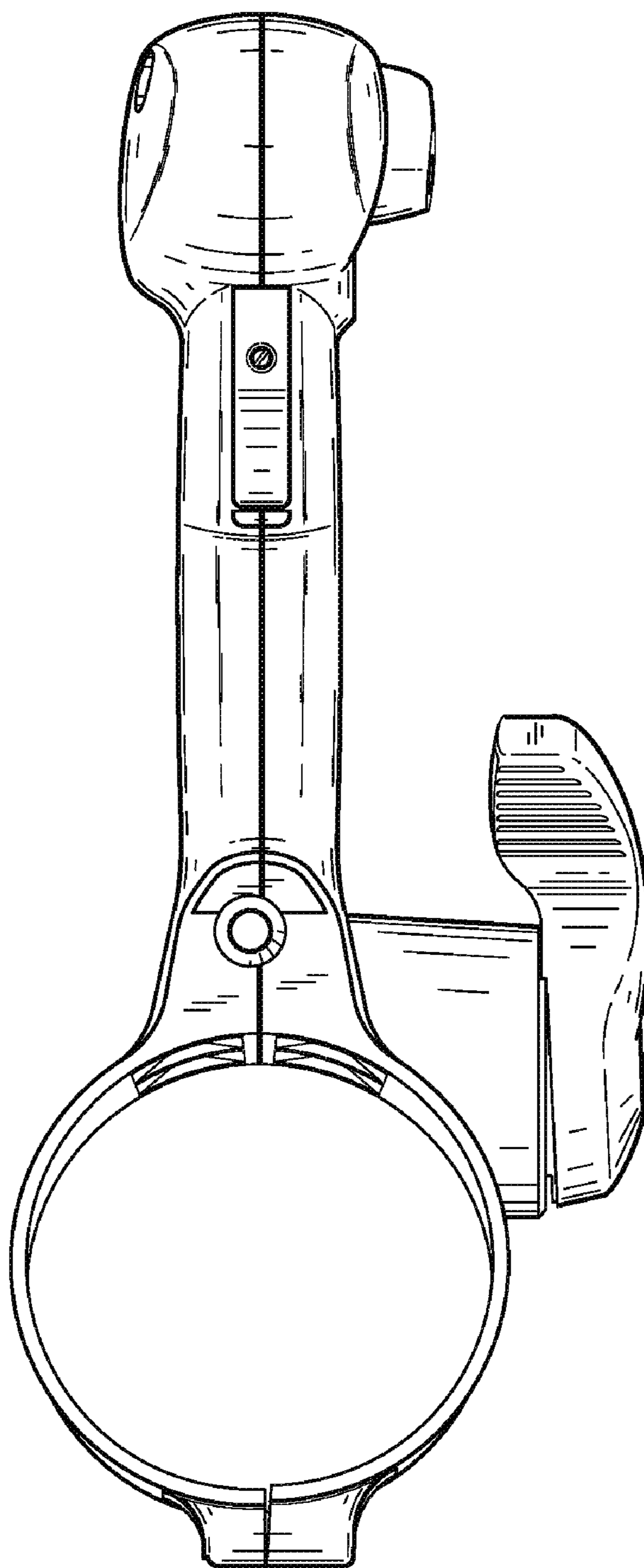


FIG. 3

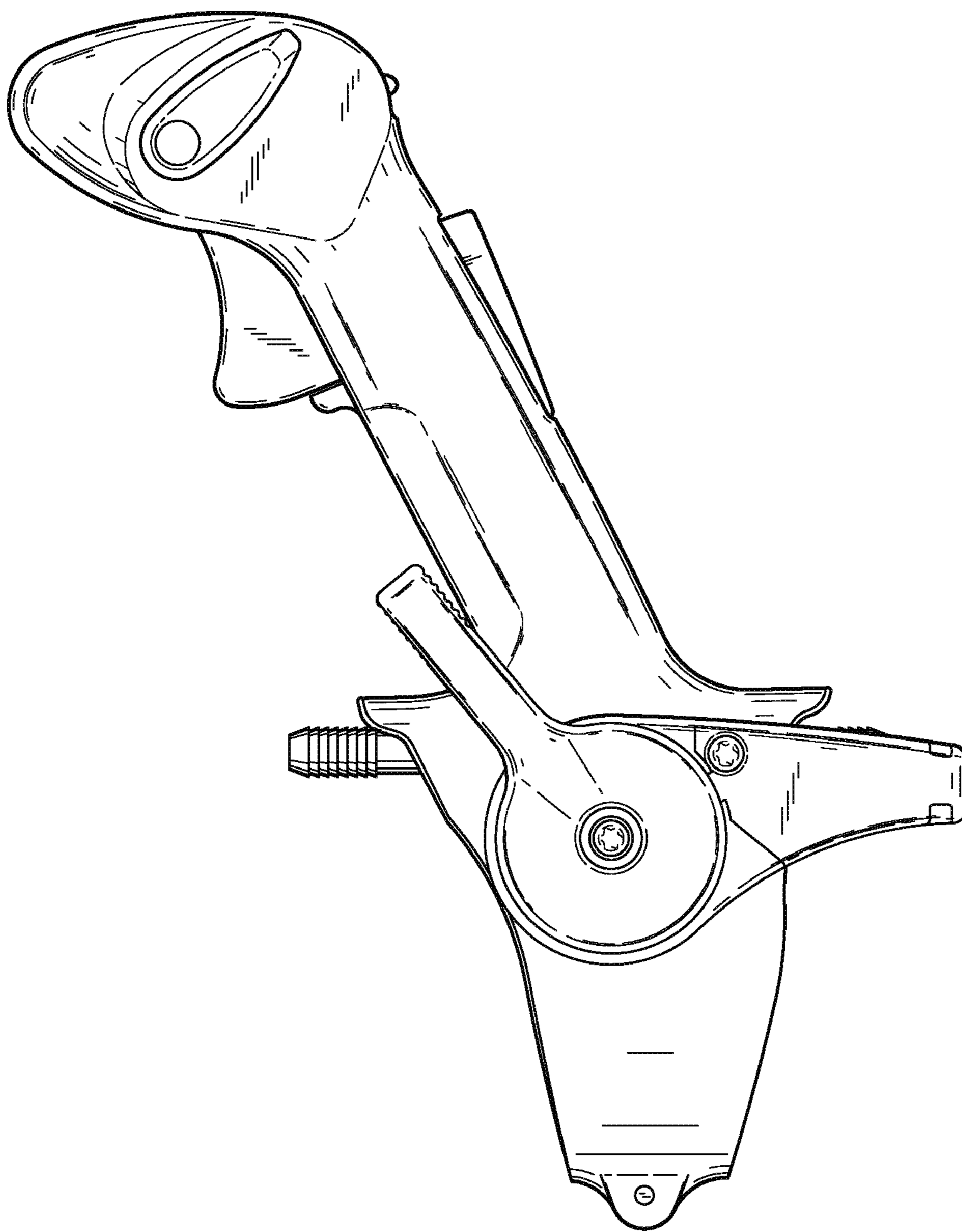


FIG. 4

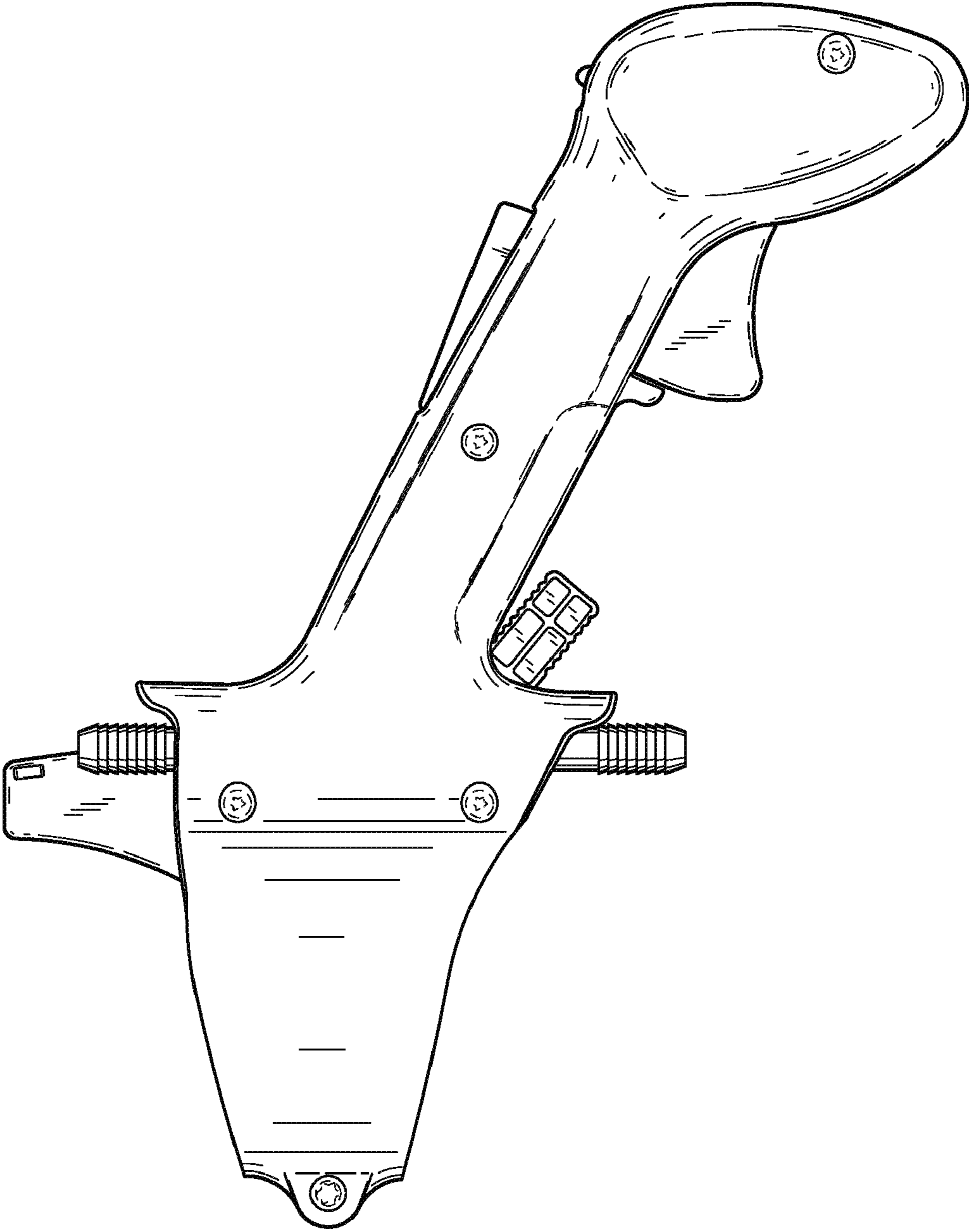


FIG. 5

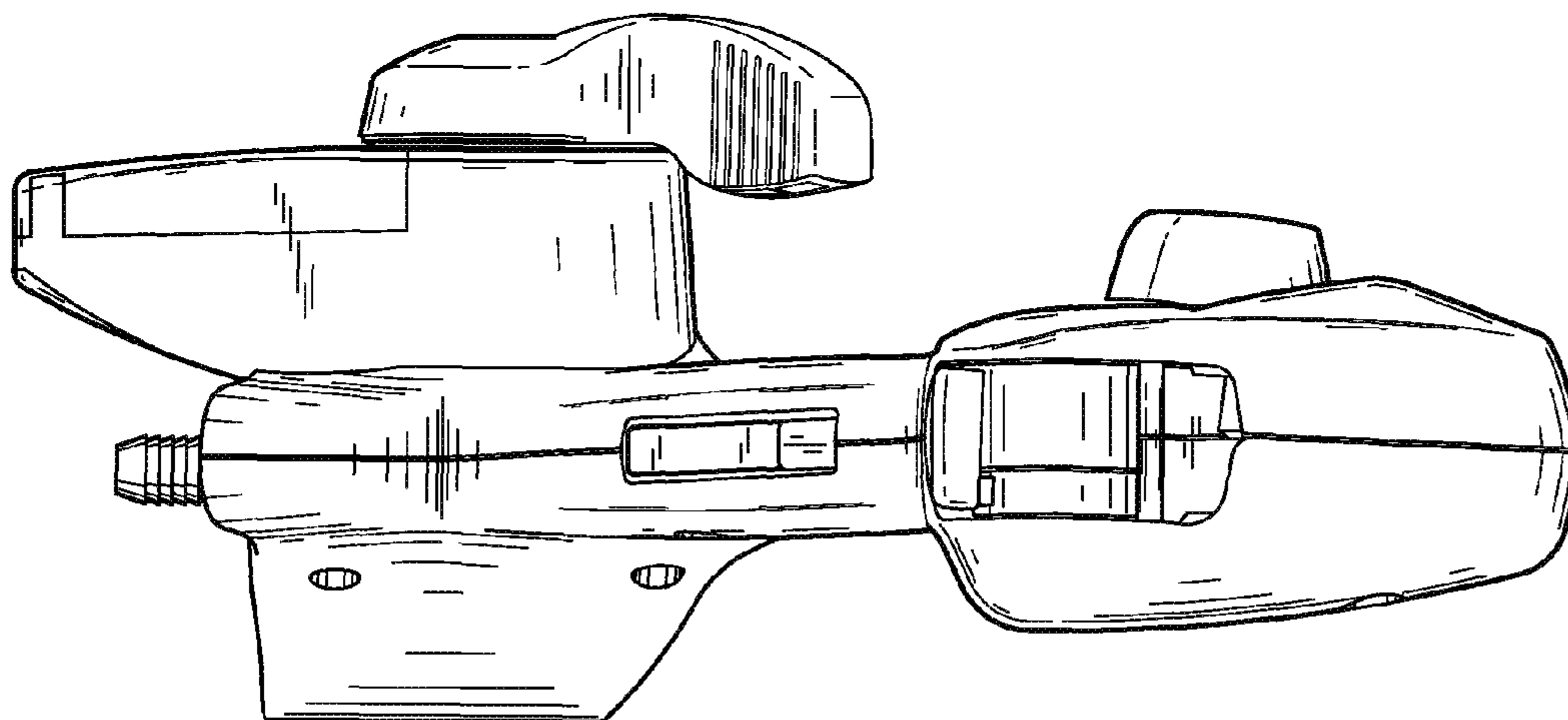


FIG. 6

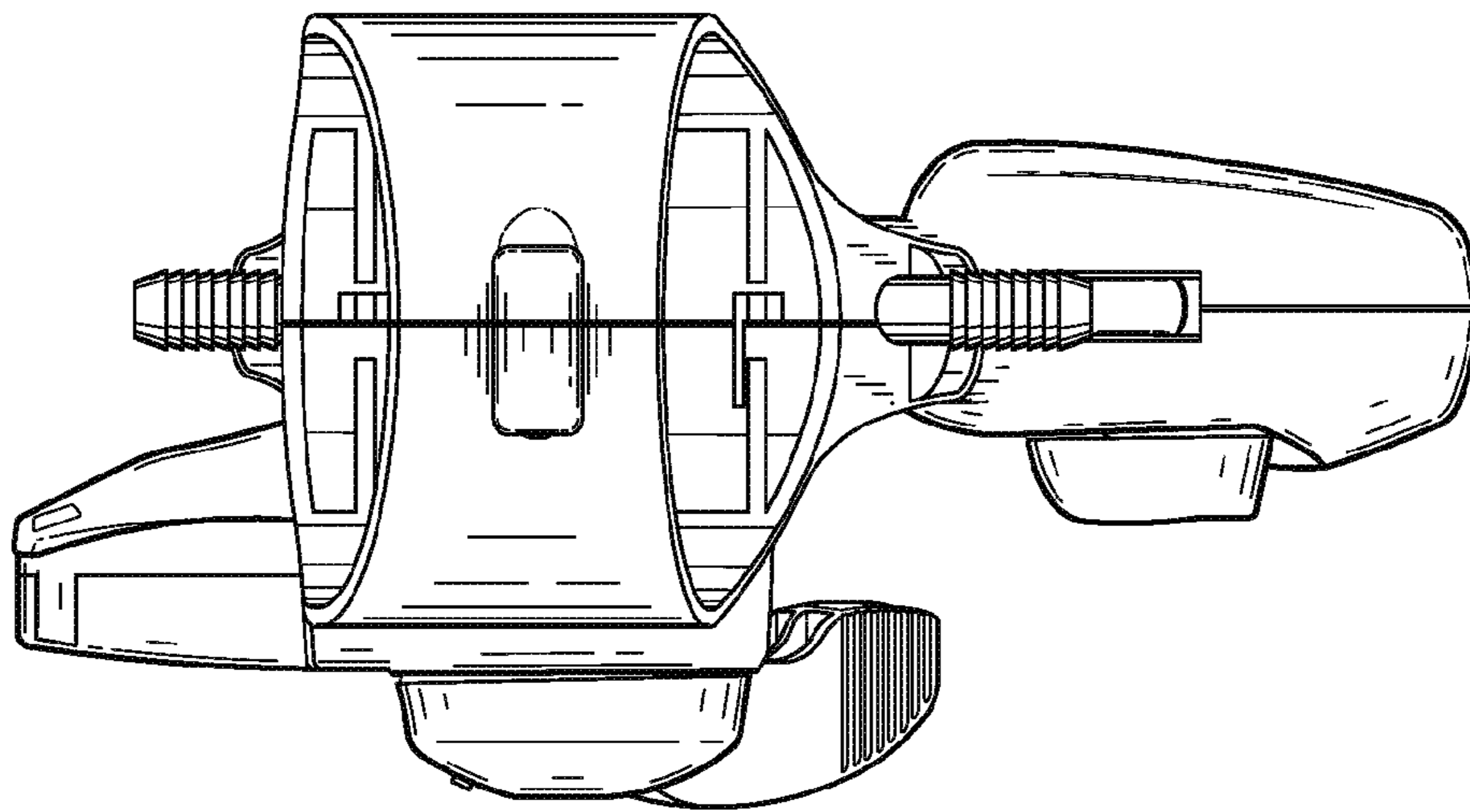


FIG. 7