



US00D625969S

(12) **United States Design Patent**
McGuyer et al.

(10) **Patent No.:** **US D625,969 S**

(45) **Date of Patent:** **** Oct. 26, 2010**

(54) **DUAL SIDED GRATER**

D476,864 S * 7/2003 Daldosso D7/678
D494,026 S * 8/2004 Brousseau et al. D7/678
D498,649 S * 11/2004 Di Bitonto et al. D7/678

(75) Inventors: **Carter W. McGuyer**, Muscle Shoals,
AL (US); **Dennis Paul Haggerty**,
Austin, TX (US); **Jonathan Becker**
Schmidt, Round Rock, TX (US)

* cited by examiner

Primary Examiner—Terry A Wallace

(74) *Attorney, Agent, or Firm*—Dennis B. Haase

(73) Assignee: **Grace Manufacturing Inc.**,
Russellville, AR (US)

(57) **CLAIM**

(**) Term: **14 Years**

The ornamental design for a dual sided grater, as shown and described.

(21) Appl. No.: **29/349,445**

(22) Filed: **Apr. 5, 2010**

DESCRIPTION

(51) **LOC (9) Cl.** **07-04**

FIG. 1 is a perspective view of a novel design for a dual sided grater;

(52) **U.S. Cl.** **D7/678**

FIG. 2 is a frontal plan view of the dual sided grater of FIG. 1;

(58) **Field of Classification Search** D7/678,
D7/672, 693, 679; 83/669, 856, 857, 699.51,
83/699.61, 870, 932; 30/123.7; 241/93,
241/95, 101.01, 273.1–273.4, 280–282, 168,
241/169, 169.1

FIG. 3 is a dual sided grater viewed at 90 degrees from the view of FIG. 2;

FIG. 4 is a rear view of the dual sided grater of FIG. 1;

See application file for complete search history.

FIG. 5 is a top plan view of the dual sided grater of FIG. 1; and,

FIG. 6 is a bottom plan view of the dual sided grater of FIG. 1.

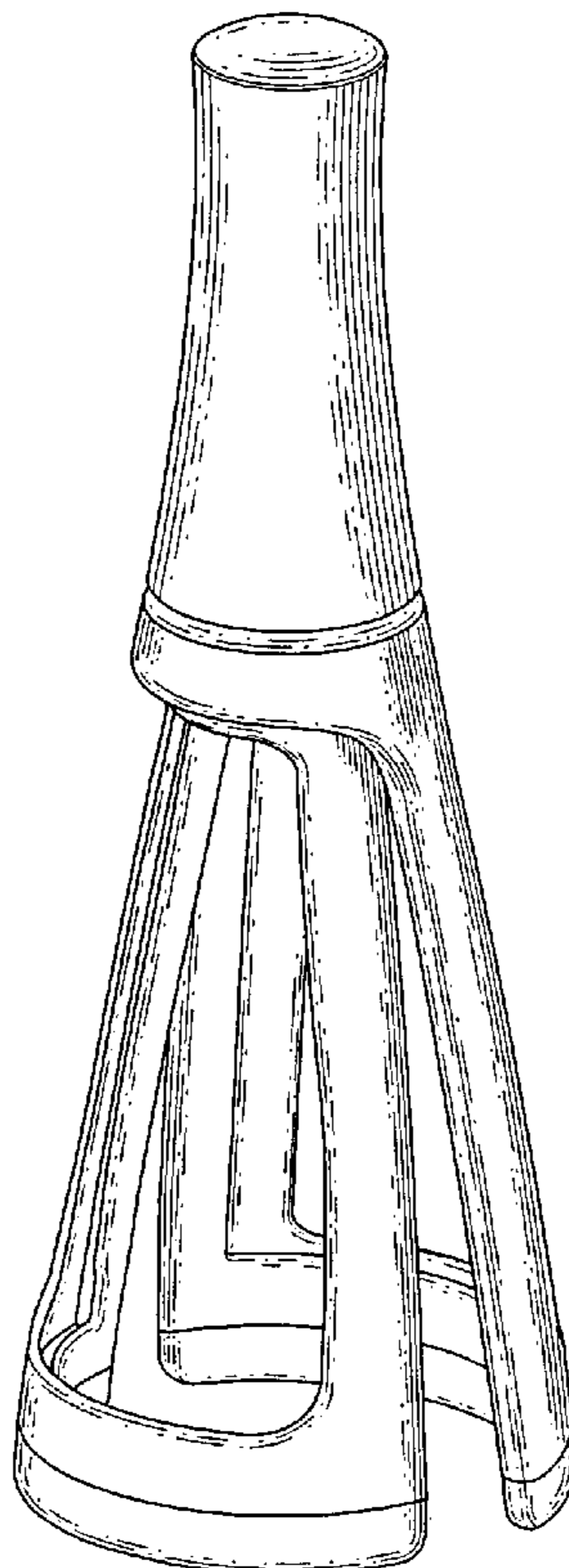
(56) **References Cited**

The broken lines are for illustrative purposes only and form no part of the claimed design.

U.S. PATENT DOCUMENTS

2,482,180 A * 9/1949 Heard 241/101.01
D438,433 S * 3/2001 Kaposi et al. D7/678
6,318,652 B1 * 11/2001 Liu 241/95

1 Claim, 2 Drawing Sheets



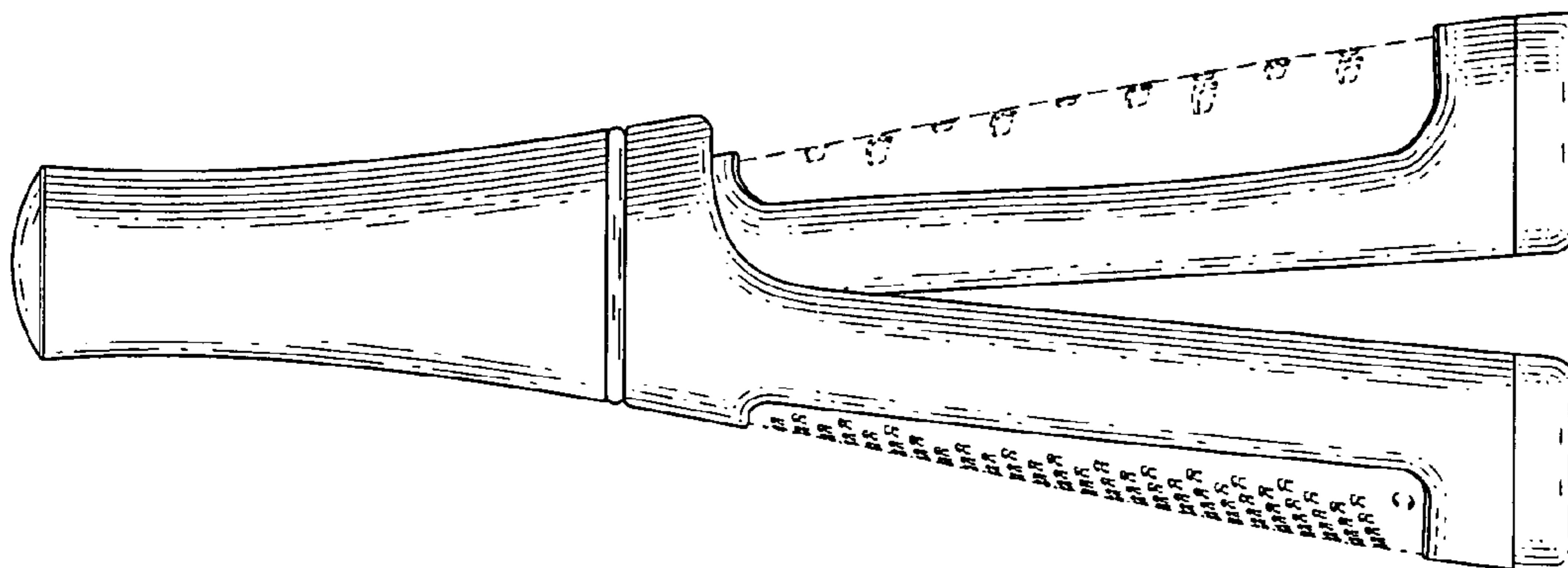


Fig. 3

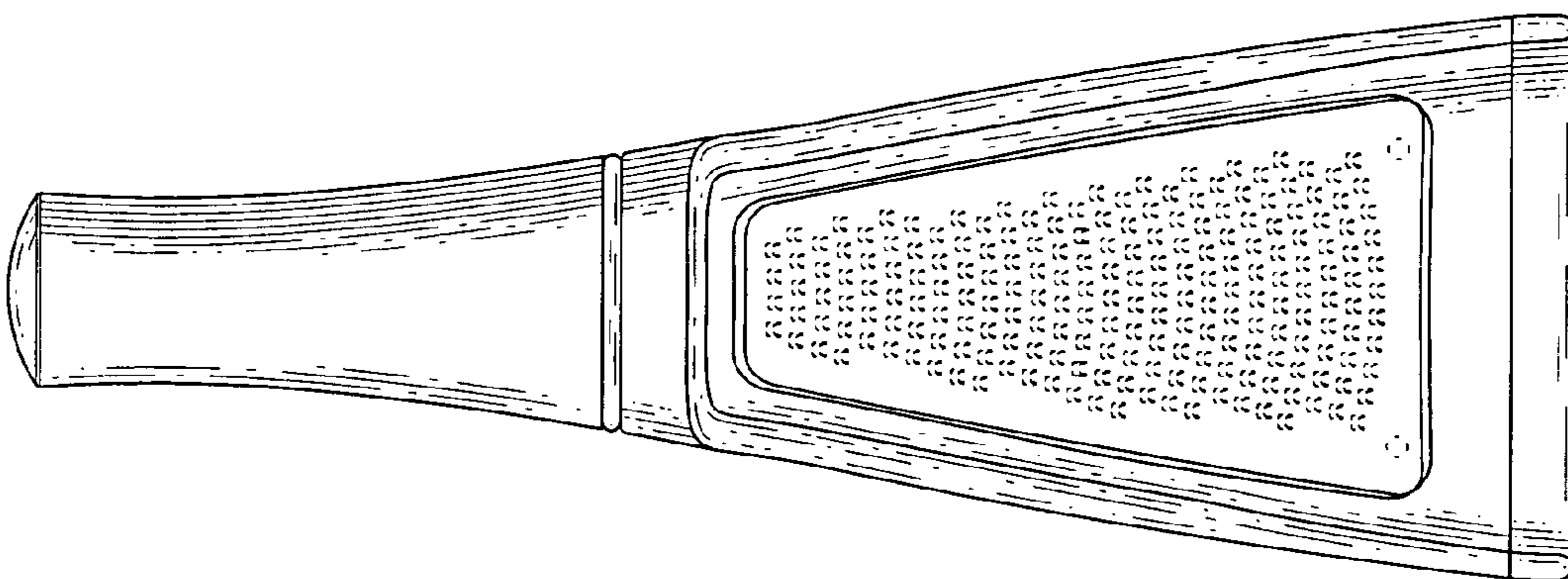


Fig. 2

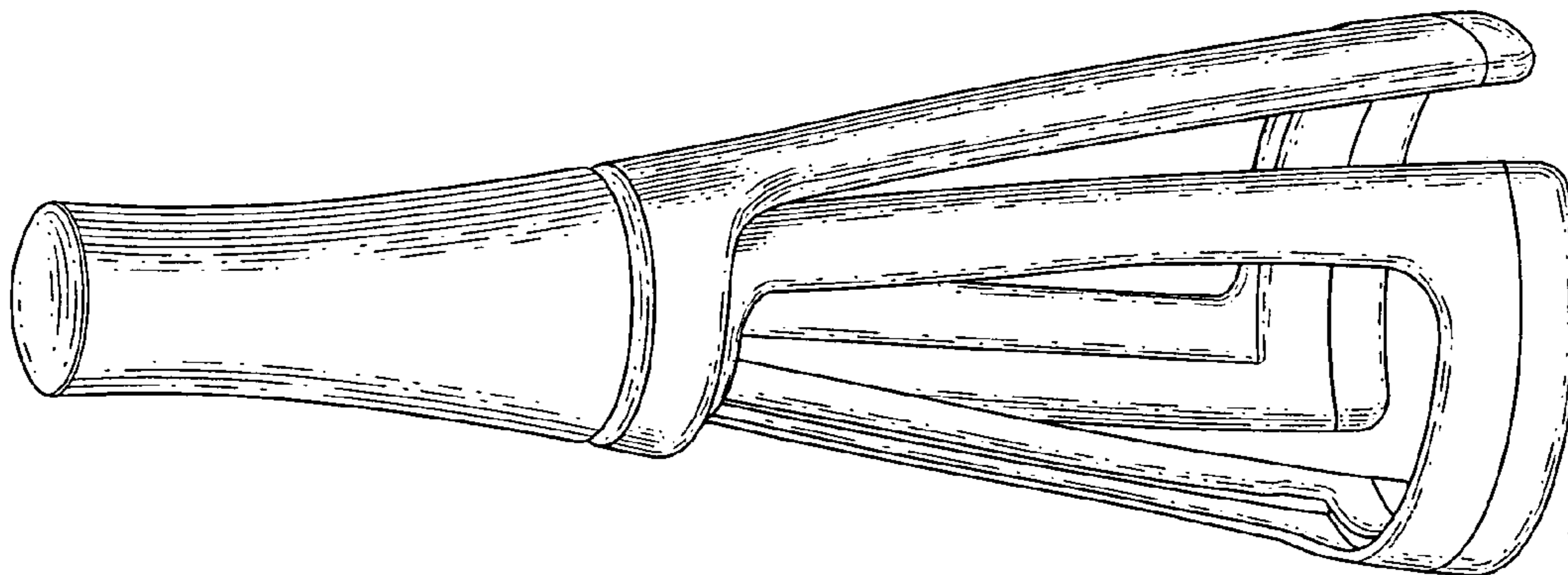


Fig. 1

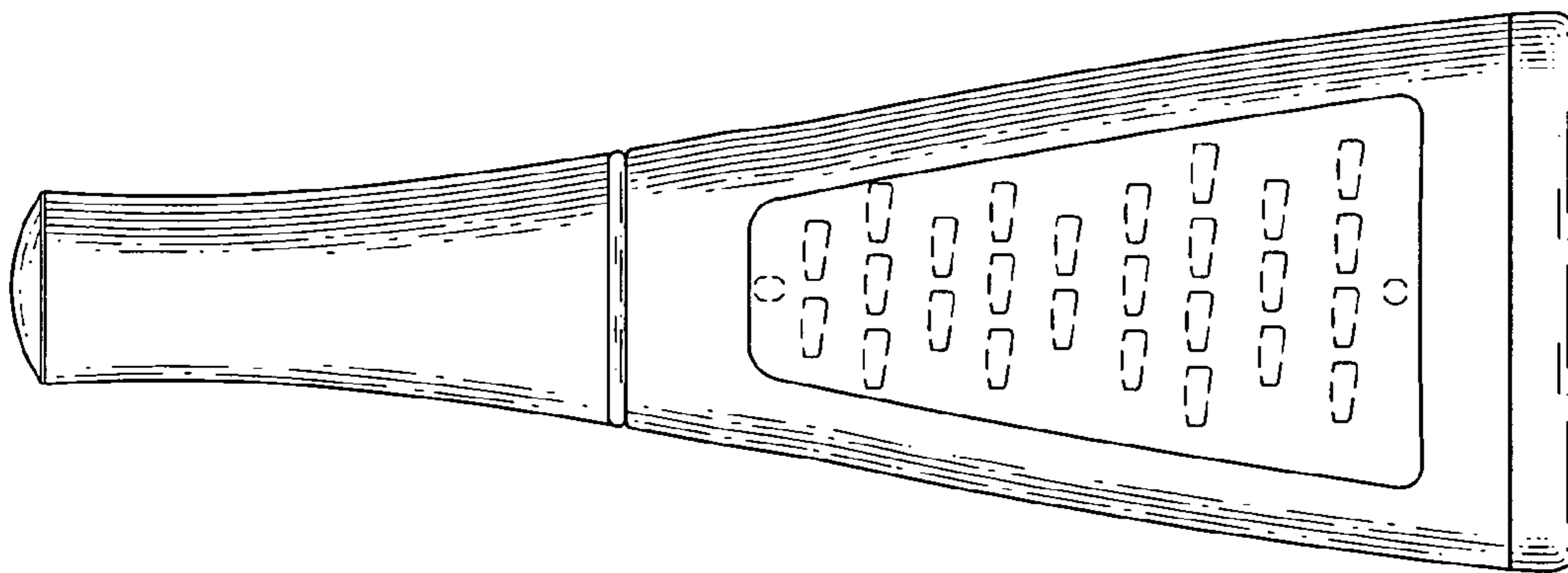


Fig. 4

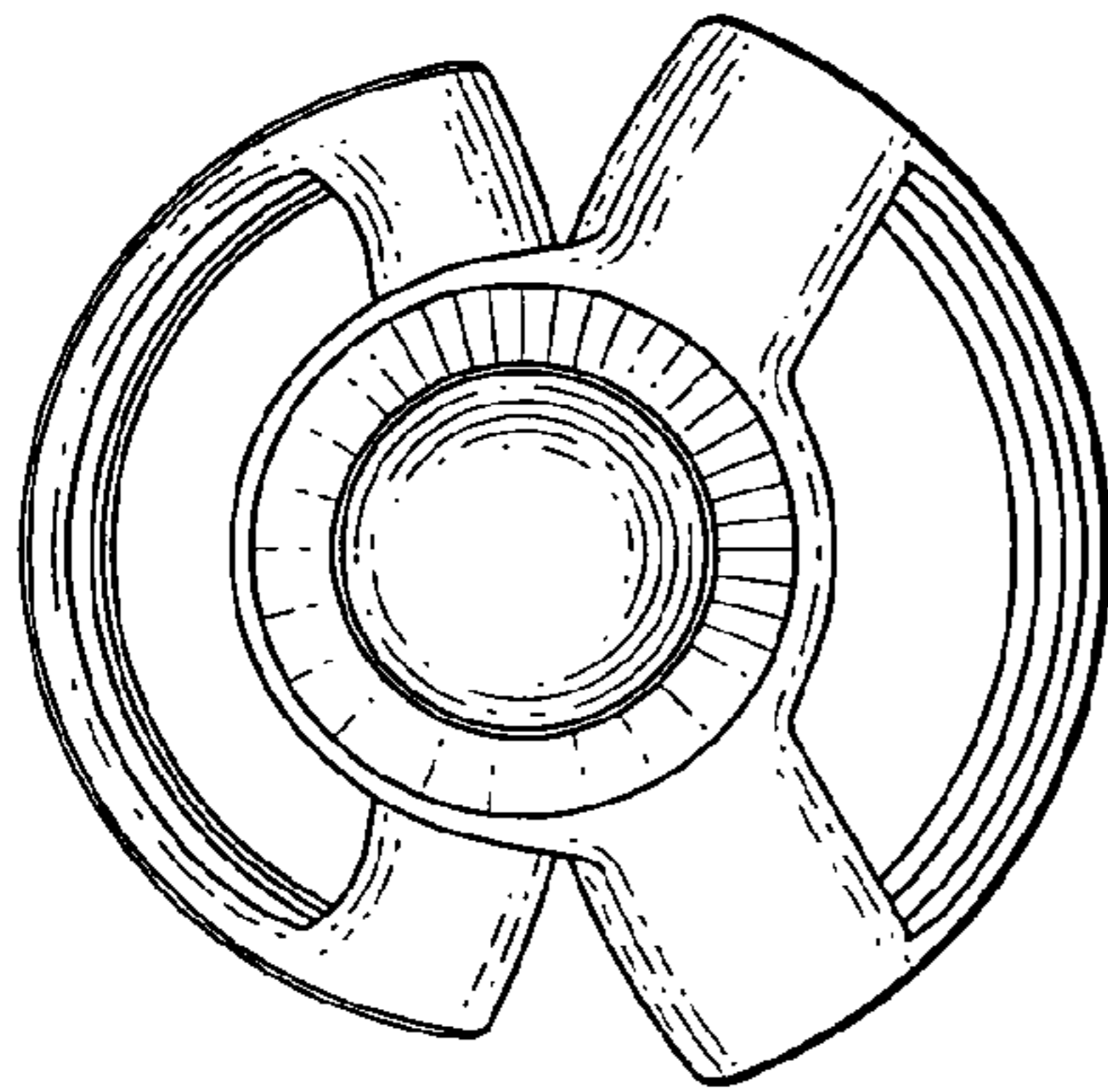


Fig. 5

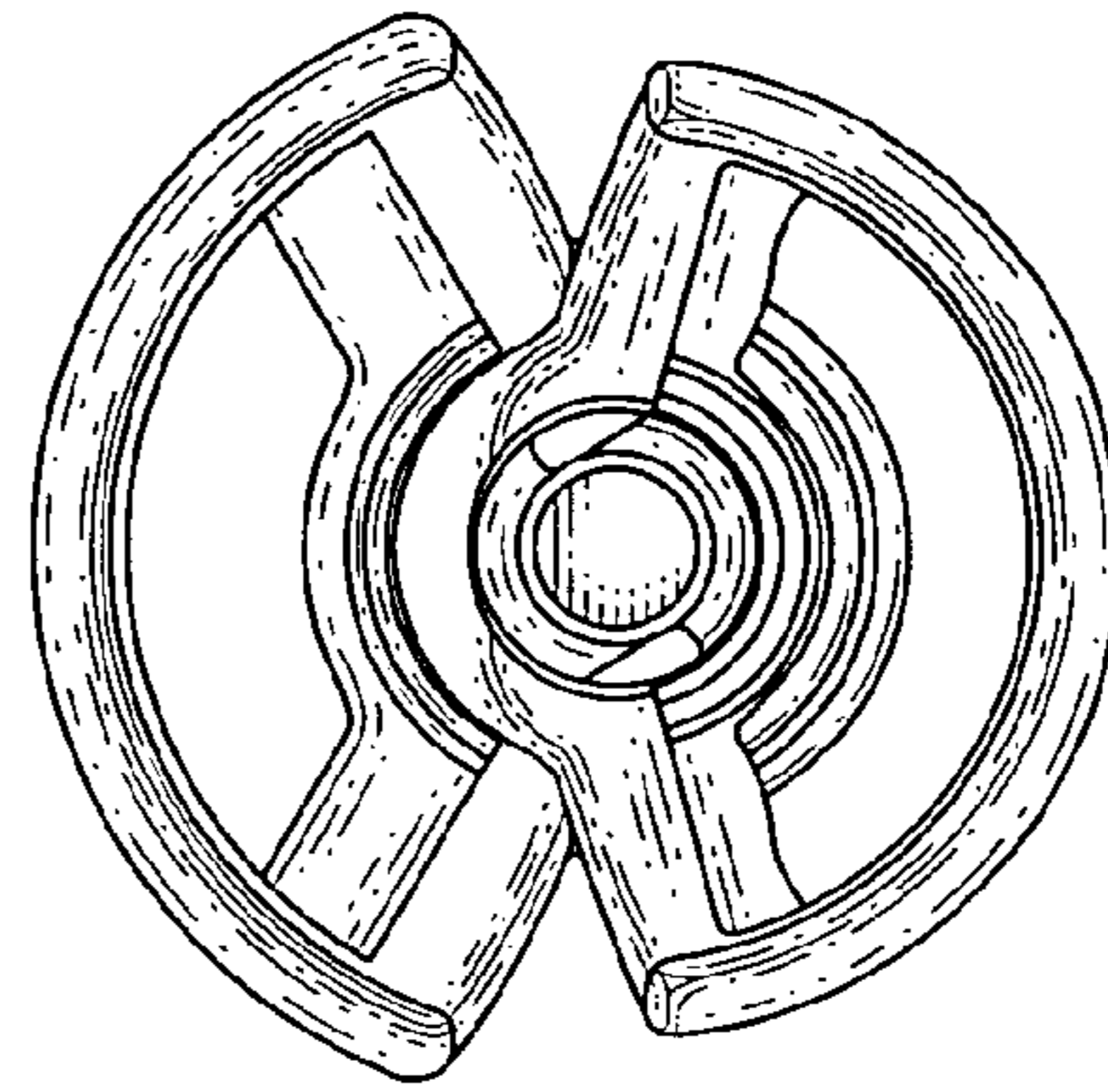


Fig. 6