



US00D625967S

(12) **United States Design Patent**
Stokes

(10) **Patent No.:** **US D625,967 S**

(45) **Date of Patent:** **** Oct. 26, 2010**

(54) **KNIFE BLADE PROTECTOR**

(75) Inventor: **Andrew John Stokes**, Buxton (GB)

(73) Assignee: **Bisbell Magnetic Products Limited**
(GB)

(**) Term: **14 Years**

(21) Appl. No.: **29/341,642**

(22) Filed: **Aug. 10, 2009**

(30) **Foreign Application Priority Data**

Feb. 24, 2009	(EM)	001093603-0001
Feb. 24, 2009	(EM)	001093603-0002
Feb. 24, 2009	(EM)	001093603-0003
Feb. 24, 2009	(EM)	001093603-0004
Feb. 24, 2009	(EM)	001093603-0005
Feb. 24, 2009	(EM)	001093603-0006
Feb. 24, 2009	(EM)	001093603-0007
Feb. 24, 2009	(EM)	001093603-0009
Feb. 24, 2009	(EM)	001093603-0011
Feb. 24, 2009	(EM)	001093603-0012
Feb. 24, 2009	(EM)	001093603-0013

(51) **LOC (9) Cl.** **07-06**

(52) **U.S. Cl.** **D7/641**

(58) **Field of Classification Search** **D7/637-641;**
D3/220; 30/162, 138, 296.1, 151, 156, 295.4;
224/234, 232, 233

See application file for complete search history.

(56) **References Cited**

U.S. PATENT DOCUMENTS

2,528,059 A * 10/1950 Kendrick 30/151

(Continued)

FOREIGN PATENT DOCUMENTS

GB 2459187 10/2009

OTHER PUBLICATIONS

Search report which issued in connection with corresponding British Application No. GB0905163.2 on Dec. 29, 2009.

Primary Examiner—Terry A Wallace

(74) *Attorney, Agent, or Firm*—Clark Hill PLC

(57) **CLAIM**

The ornamental design for a knife blade protector, as shown and described.

DESCRIPTION

FIG. 1 is a perspective view of a knife blade protector in the closed position.

FIG. 2 is an end elevation view thereof in an open position.

FIG. 3 is a front elevation of FIG. 2.

FIG. 4 is a rear elevation of FIG. 2.

FIG. 5 is a plan view thereof in a closed position.

FIG. 6 is a perspective view of an alternate embodiment of FIG. 1 in the closed position.

FIG. 7 is an end elevation view of FIG. 6 in an open position.

FIG. 8 is a front elevation of FIG. 7.

FIG. 9 is a rear elevation view of FIG. 7.

FIG. 10 is a plan view of FIG. 6 in a closed position.

FIG. 11 is a perspective view of an alternate embodiment of FIG. 1 in the closed position.

FIG. 12 is an end elevation of FIG. 11 in an open position.

FIG. 13 is a front elevation of FIG. 11.

FIG. 14 is a rear elevation of FIG. 11.

FIG. 15 is a plan view of FIG. 11 in a closed position.

FIG. 16 is a perspective view of an alternate embodiment of FIG. 1 in the closed position.

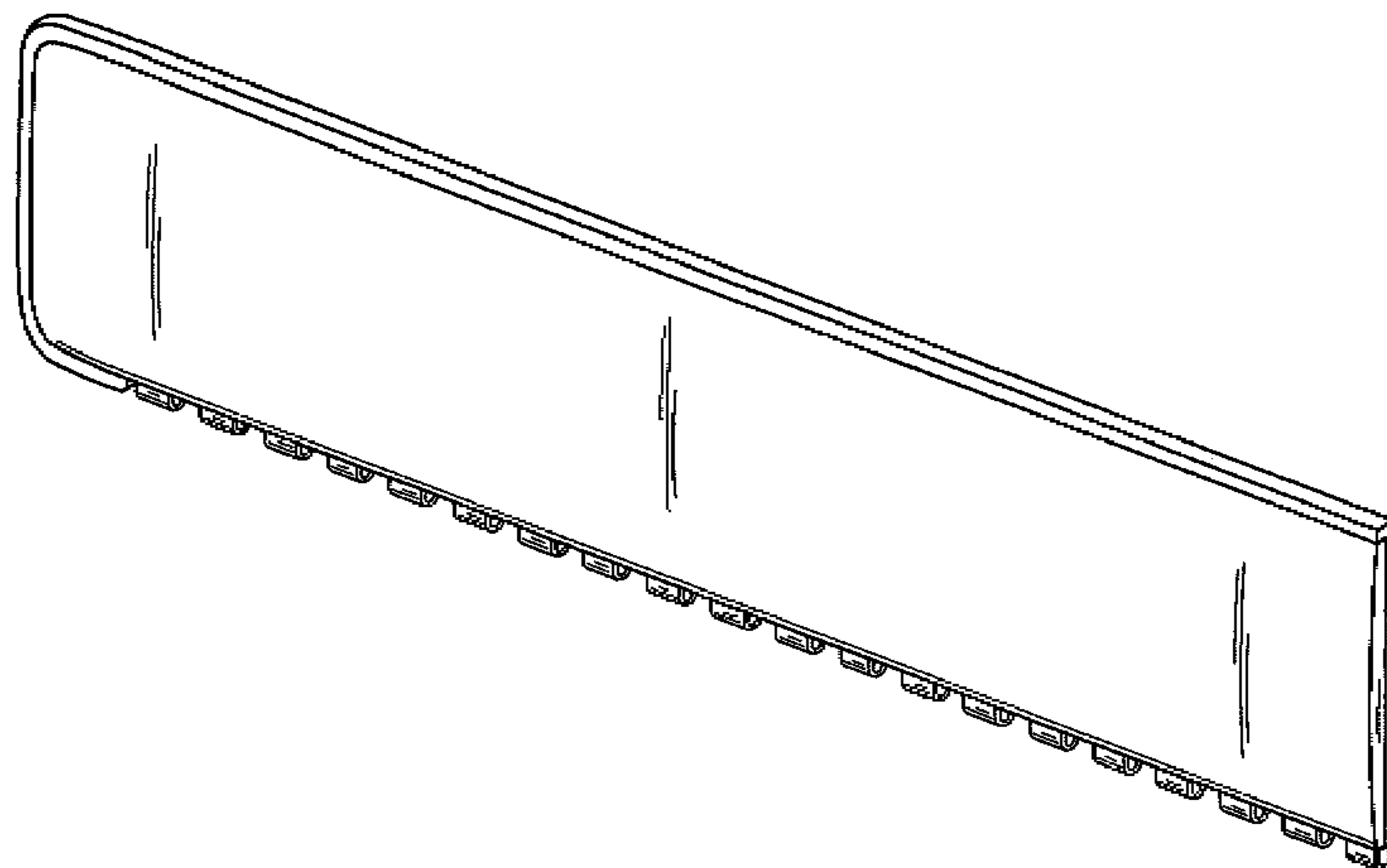
FIG. 17 is an end elevation of FIG. 16 in an open position.

FIG. 18 is a front elevation of FIG. 16.

FIG. 19 is a rear elevation of FIG. 16; and,

FIG. 20 is a plan view of FIG. 16 in a closed position.

1 Claim, 8 Drawing Sheets



US D625,967 S

Page 2

U.S. PATENT DOCUMENTS

D255,507 S *	6/1980	Gingher, Jr.	D3/220	D433,882 S *	11/2000	Neshat et al.	D7/637
4,588,209 A	5/1986	Zebrowski et al.		6,308,419 B1 *	10/2001	Neshat et al.	30/151
4,654,968 A *	4/1987	Gatley et al.	30/138	2002/0116829 A1	8/2002	McLaughlin	
4,835,863 A *	6/1989	Salandre	30/151	2004/0231164 A1	11/2004	McLaughlin	

* cited by examiner

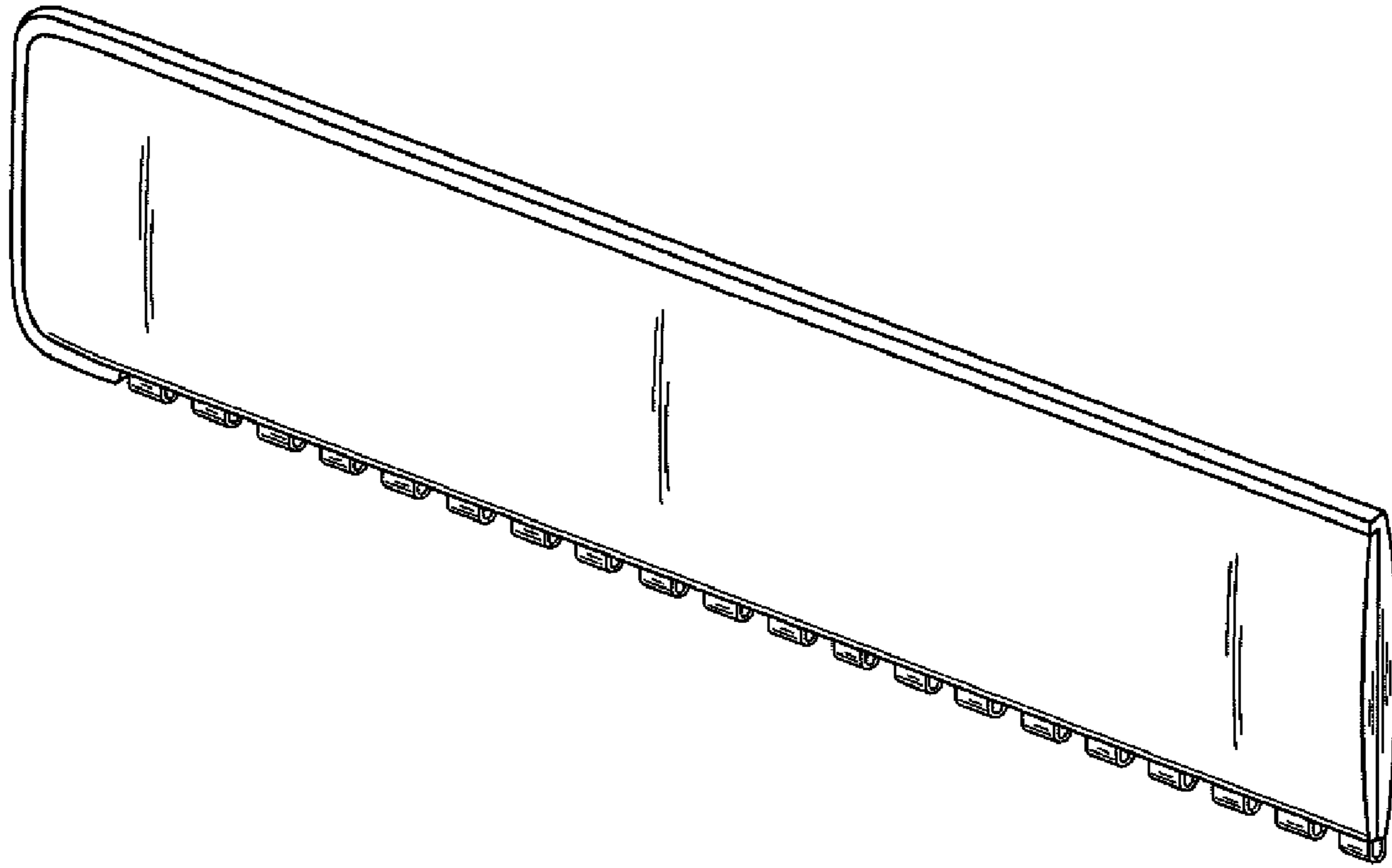


Fig. 1



Fig. 2

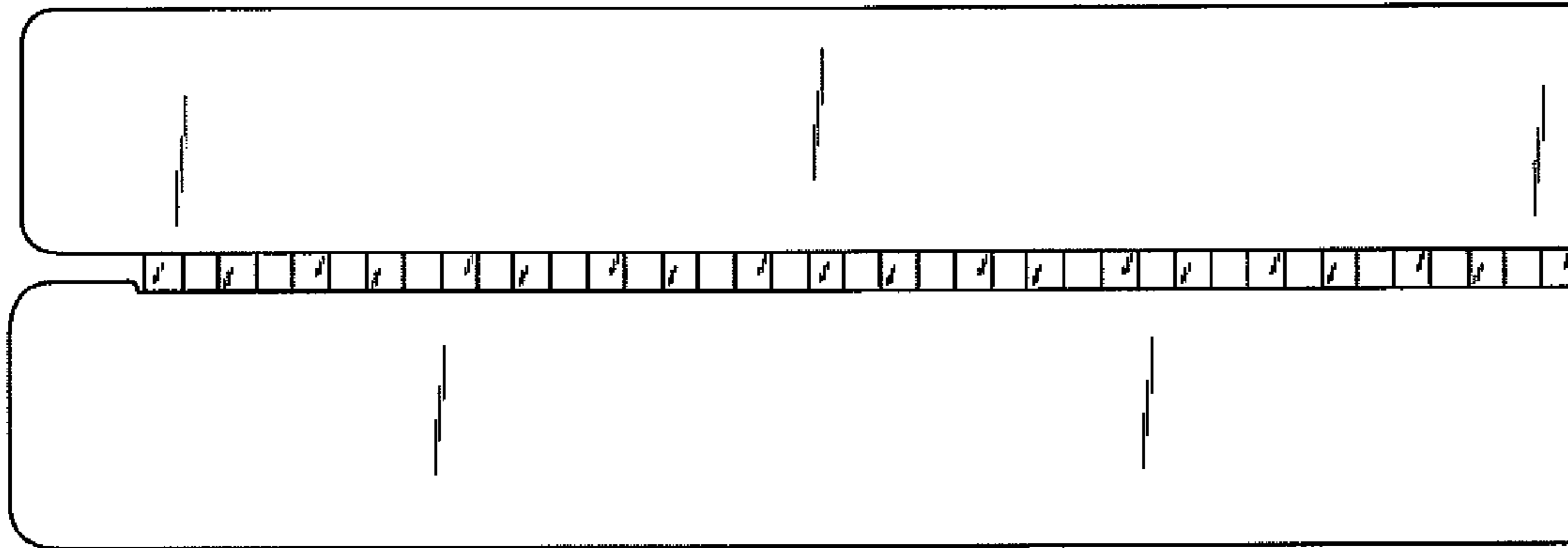


Fig. 3

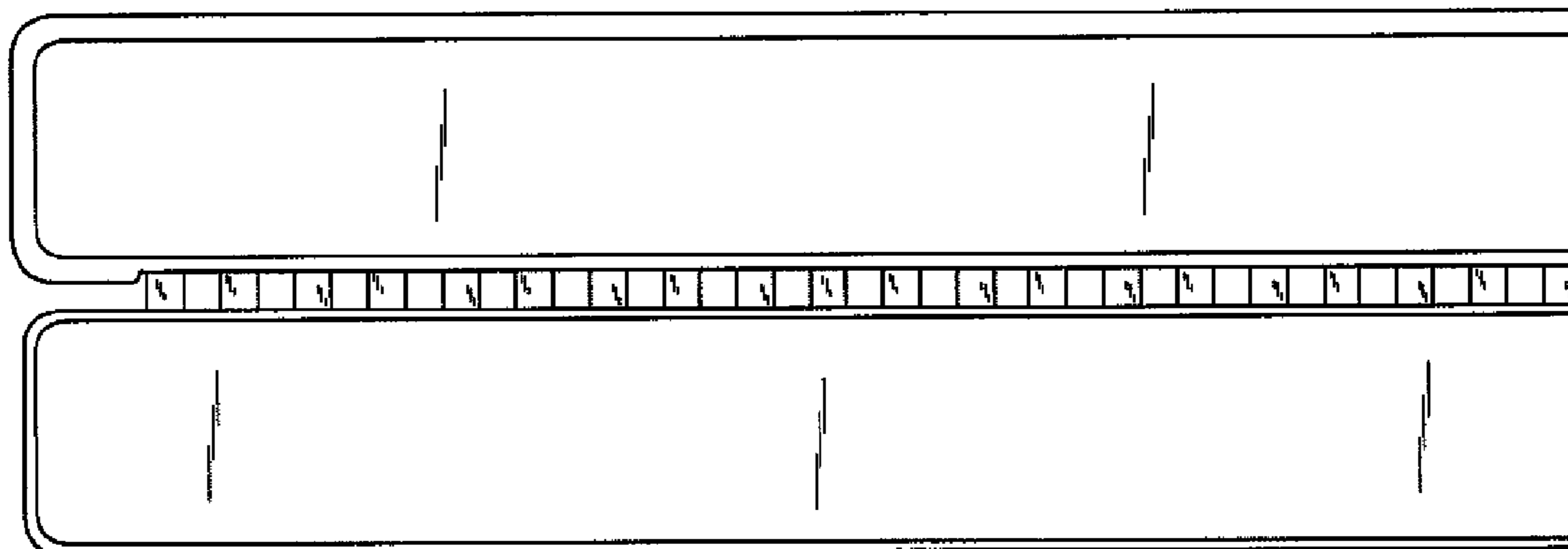


Fig. 4

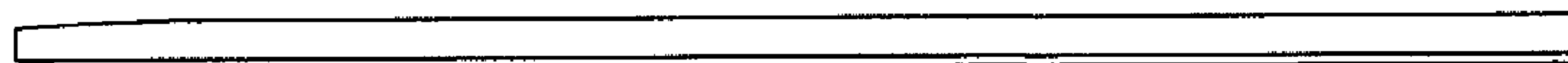


Fig. 5

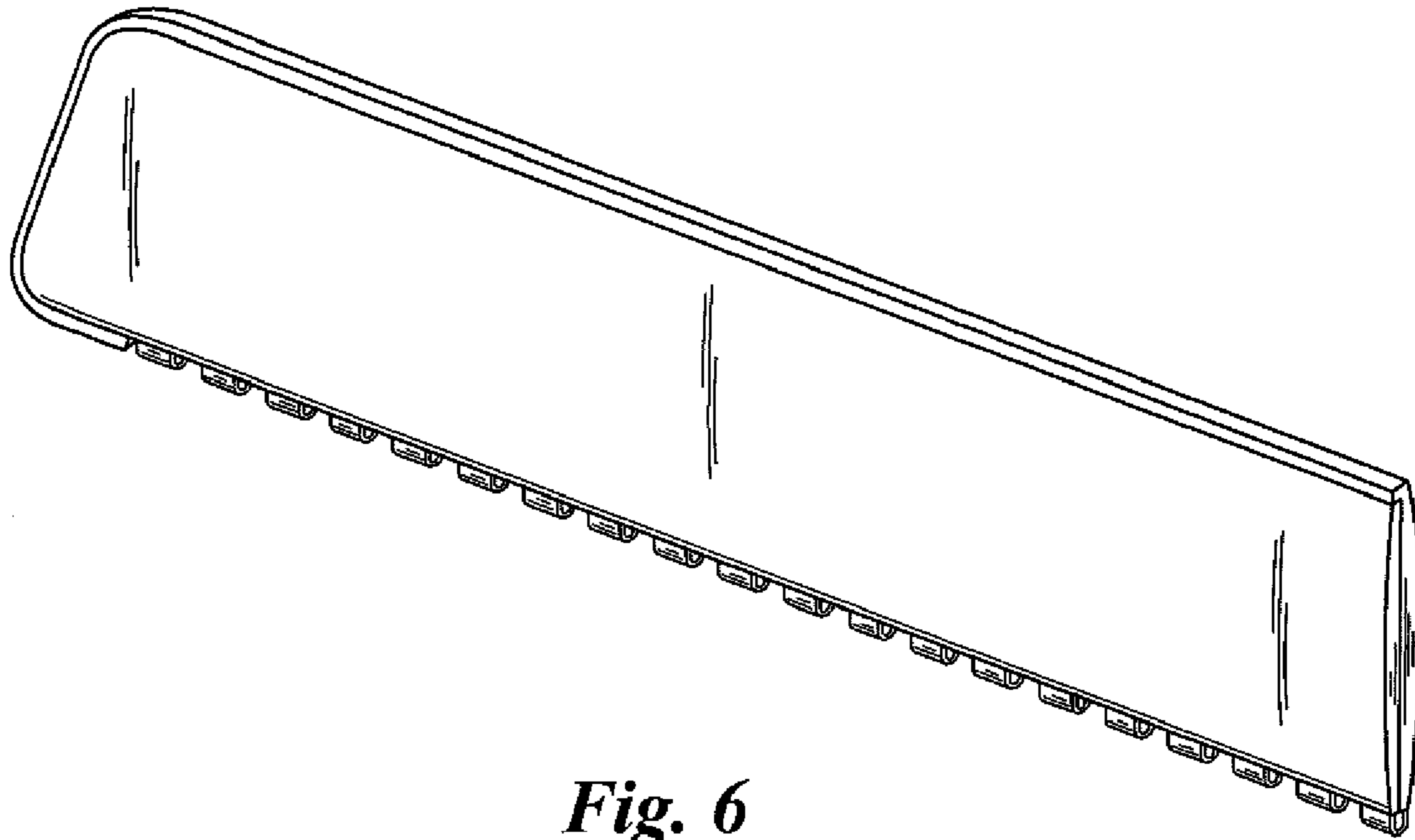


Fig. 6



Fig. 7

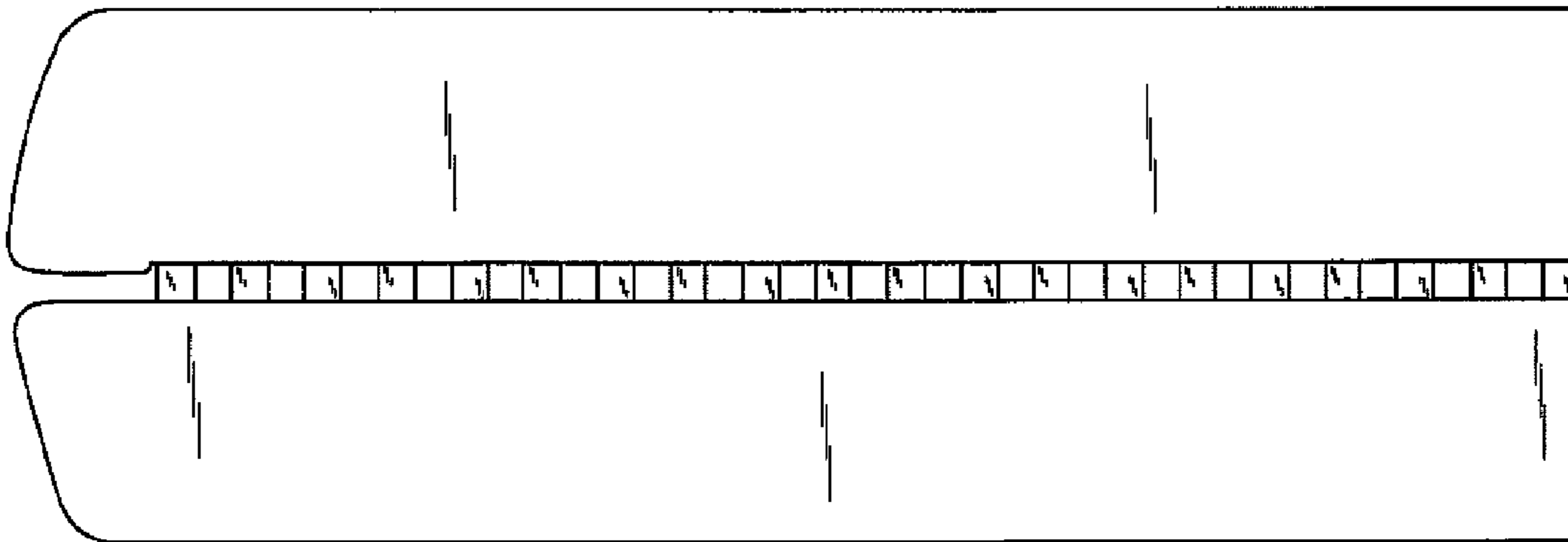


Fig. 8

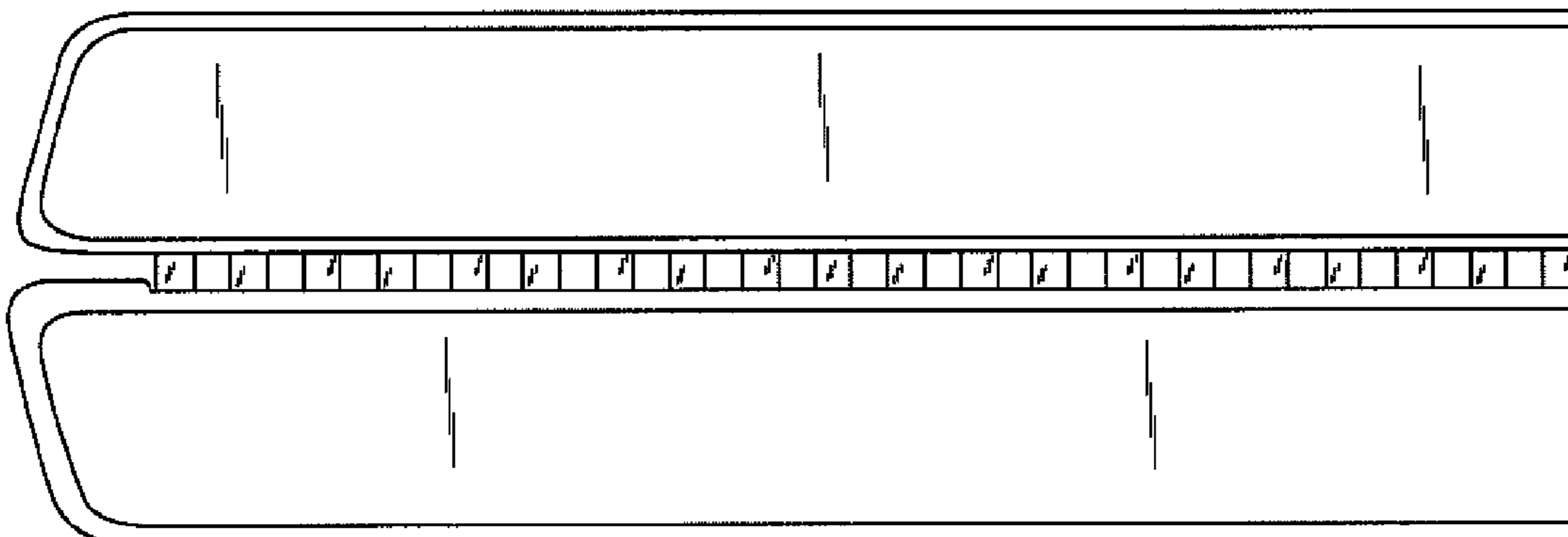


Fig. 9

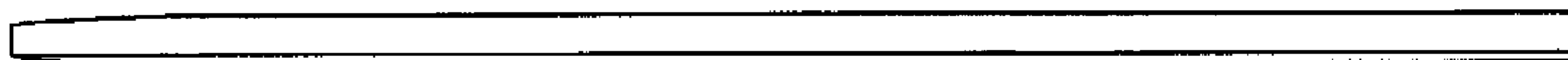


Fig. 10

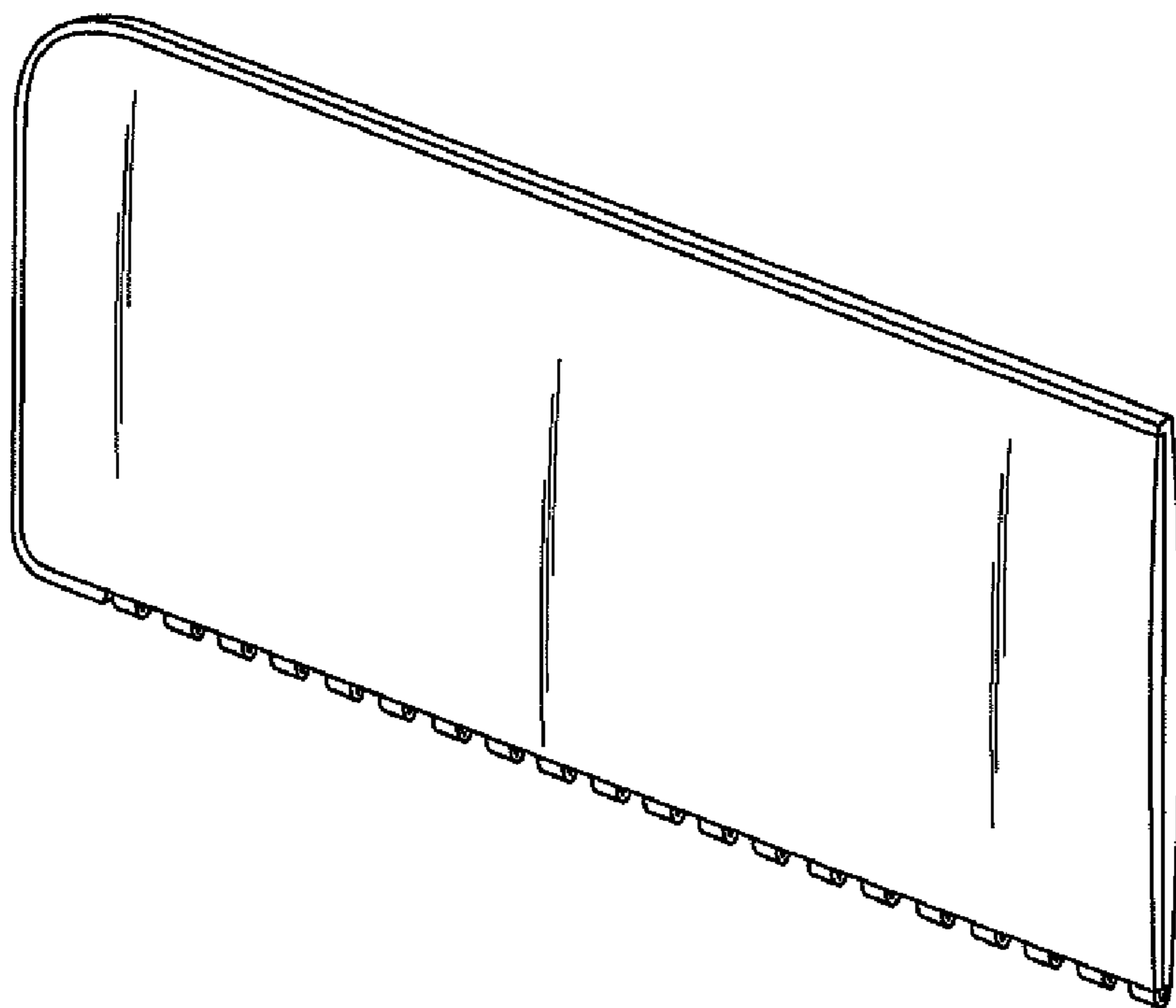


Fig. 11

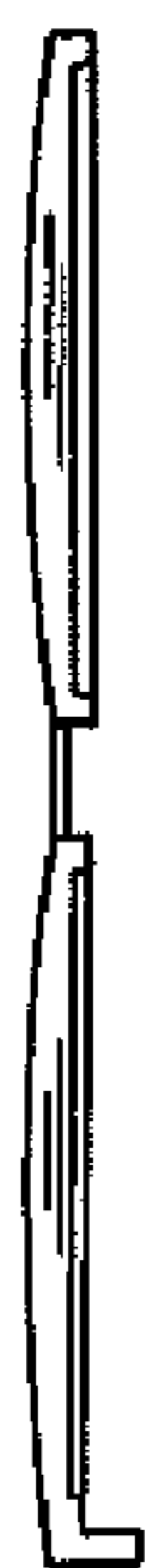


Fig. 12

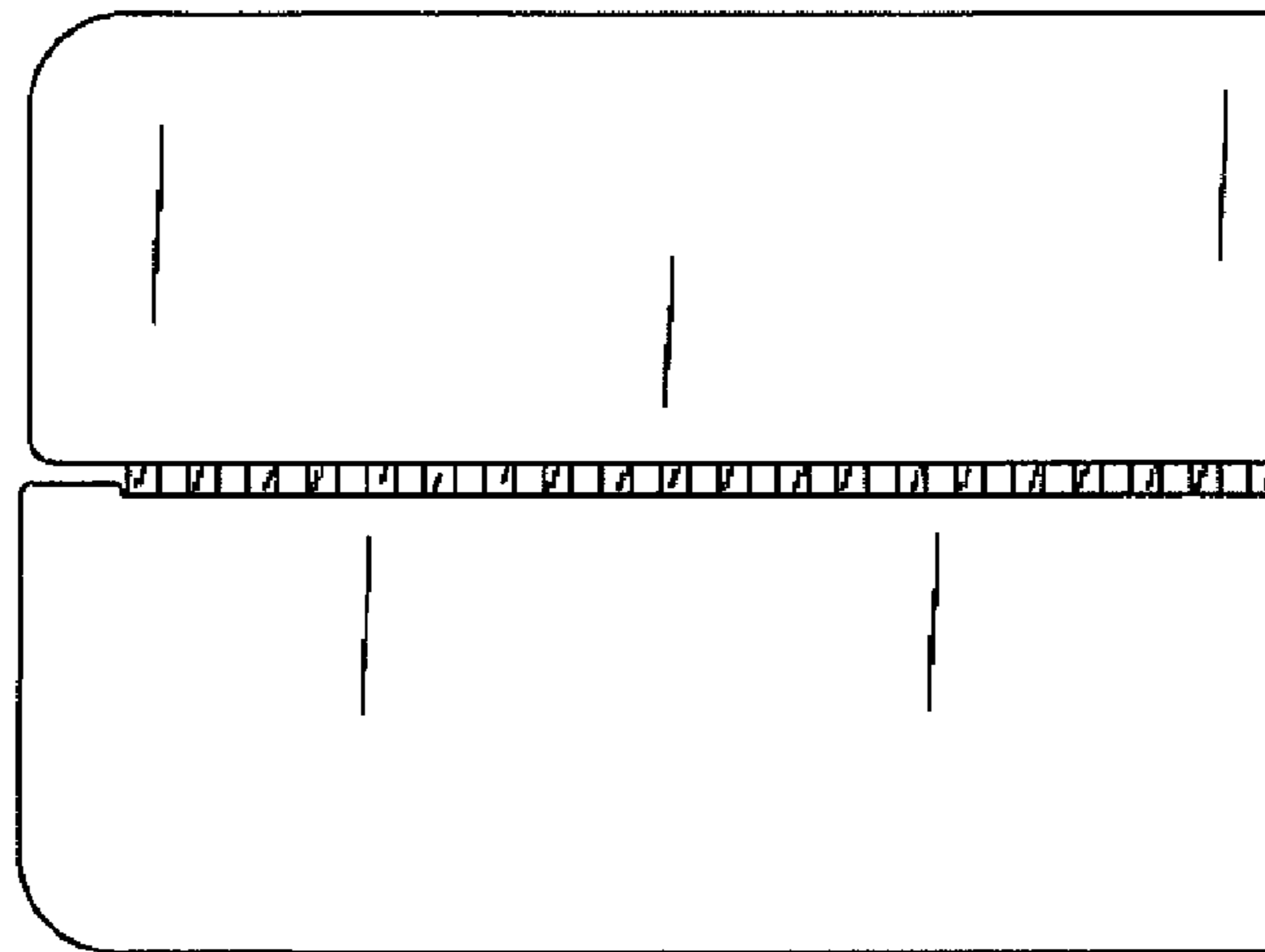


Fig. 13

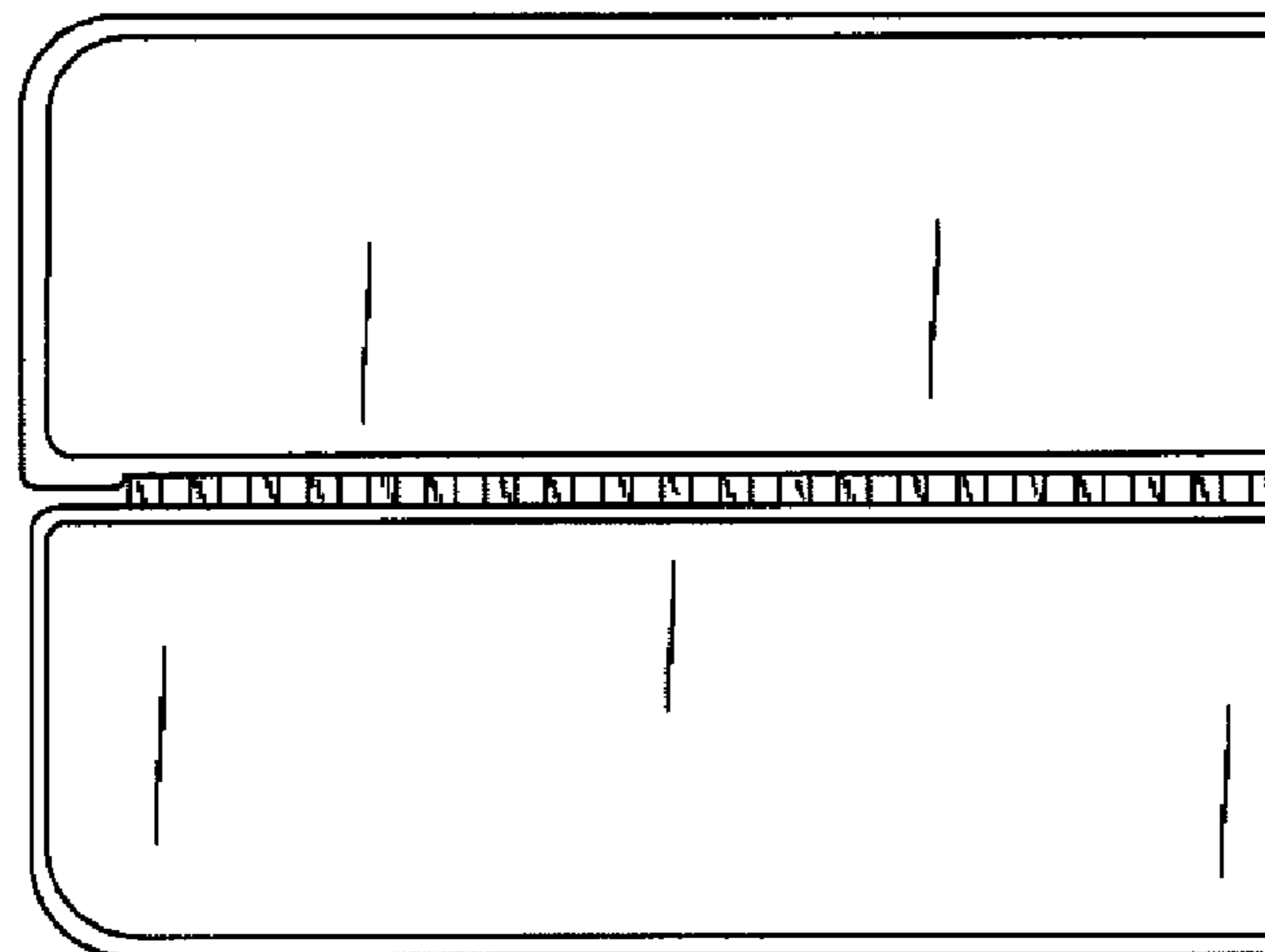


Fig. 14

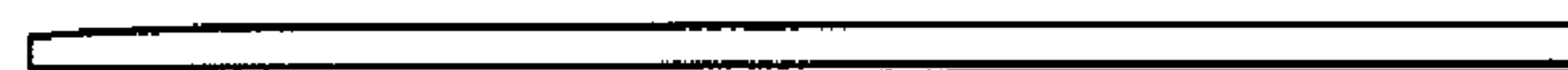


Fig. 15

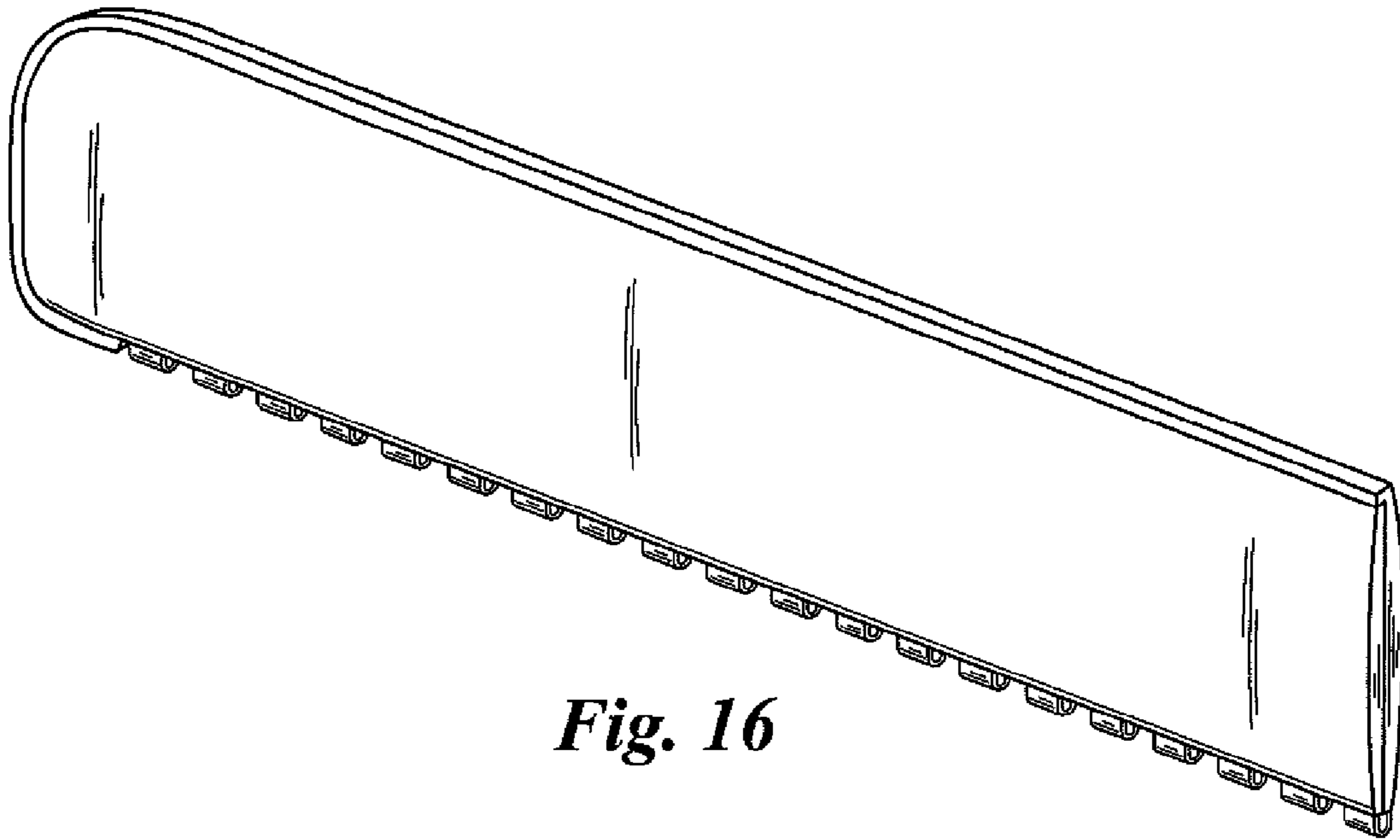


Fig. 16

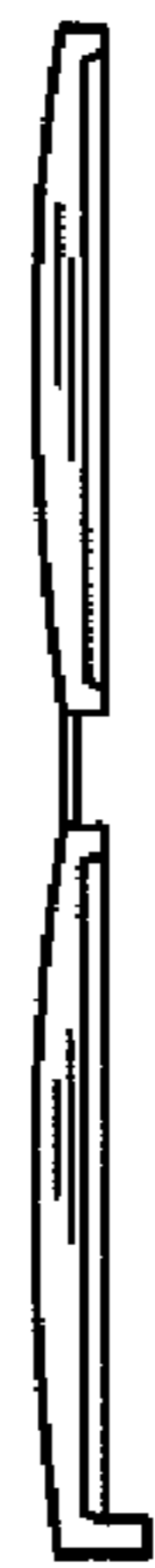


Fig. 17

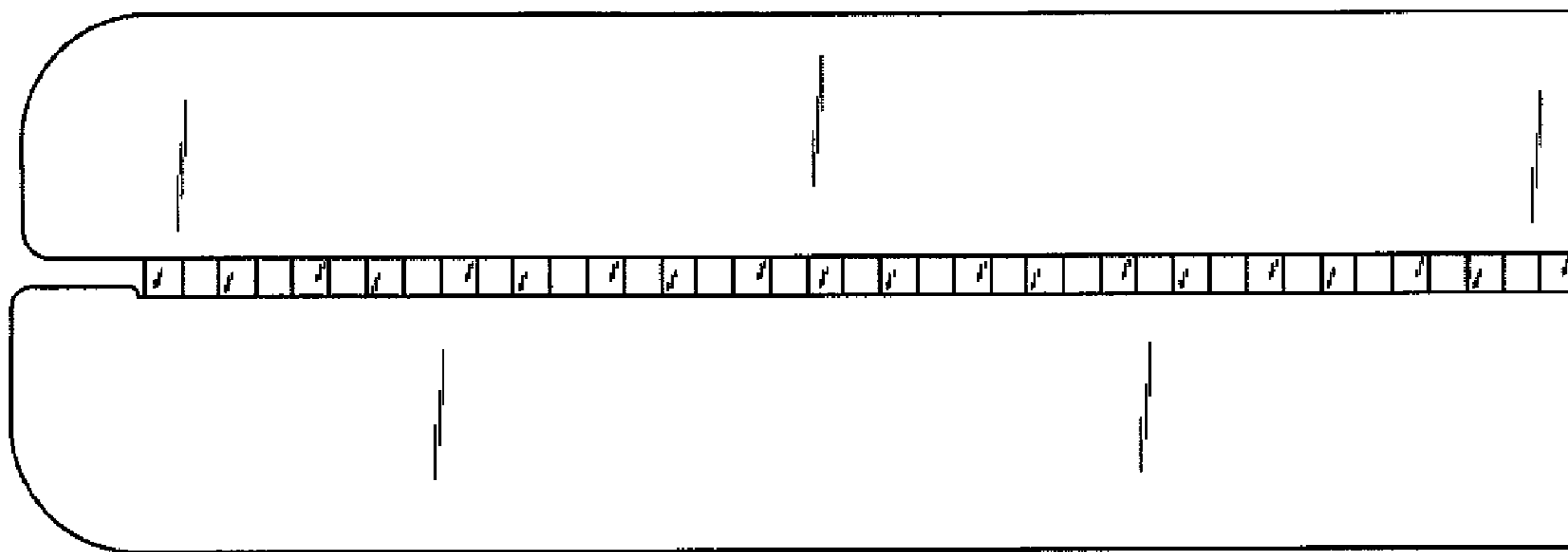


Fig. 18

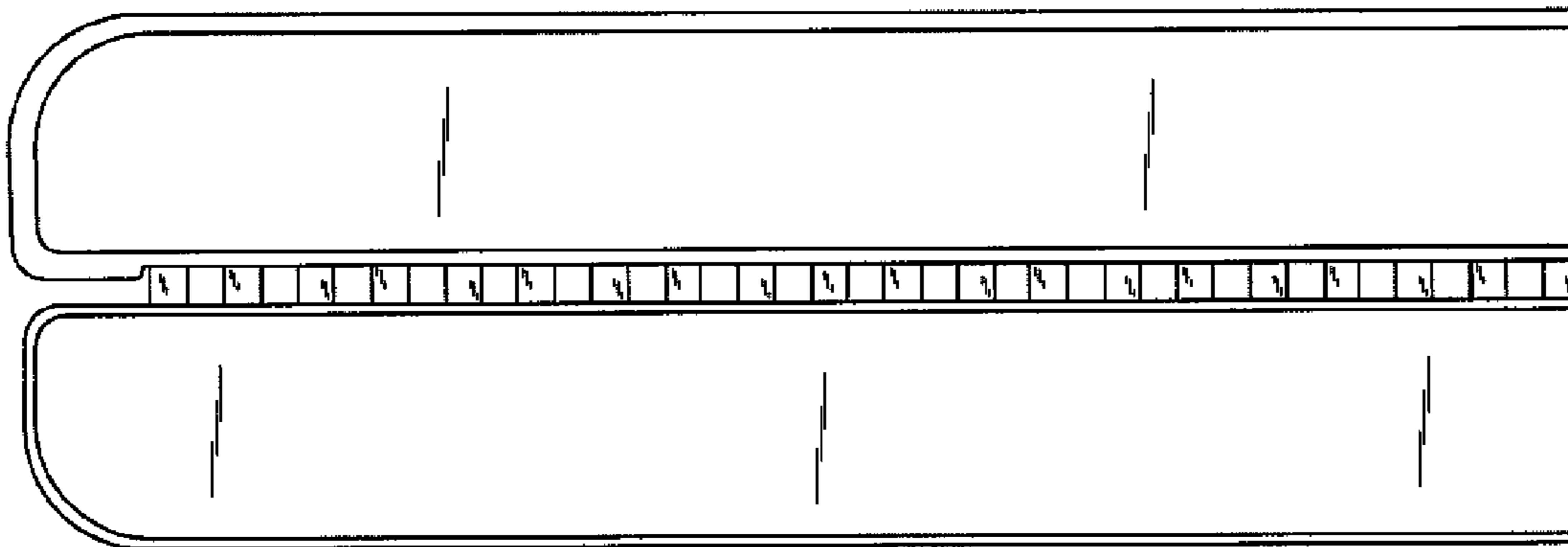


Fig. 19



Fig. 20