



US00D625966S

(12) **United States Design Patent**
Maudsley

(10) **Patent No.:** **US D625,966 S**

(45) **Date of Patent:** **** Oct. 26, 2010**

(54) **TOOTHPICK CONTAINER**

(75) Inventor: **Russell Maudsley**, Isle of Man (GB)

(73) Assignee: **Pik-Sel Limited**, Isle of Man (GB)

(**) Term: **14 Years**

(21) Appl. No.: **29/354,076**

(22) Filed: **Jan. 19, 2010**

(30) **Foreign Application Priority Data**

Jul. 21, 2009 (EM) 001588765-0004

(51) **LOC (9) Cl.** **07-99**

(52) **U.S. Cl.** **D7/636; D3/201**

(58) **Field of Classification Search** D7/635;
D28/65; D9/756; D3/201, 273, 274; 294/1.1;
206/370, 37, 38, 83, 443, 380, 104; 132/321,
132/328, 329

See application file for complete search history.

(56) **References Cited**

U.S. PATENT DOCUMENTS

D145,603 S * 9/1946 Millard D28/65
2,760,628 A * 8/1956 Briggs 206/104
2,762,501 A * 9/1956 Cameron 206/104

D274,693 S * 7/1984 Cruz D9/756
D316,934 S * 5/1991 Stanfield D3/282
5,181,755 A * 1/1993 Stanwich et al. 294/1.1
5,415,276 A * 5/1995 Welton 206/104

* cited by examiner

Primary Examiner—Terry A Wallace

(74) *Attorney, Agent, or Firm*—Reising Ethington P.C.

(57) **CLAIM**

The ornamental design for a toothpick container, as shown and described.

DESCRIPTION

FIG. 1 is a perspective view of the toothpick container shown in an open position;

FIG. 2 is a top view of the toothpick container;

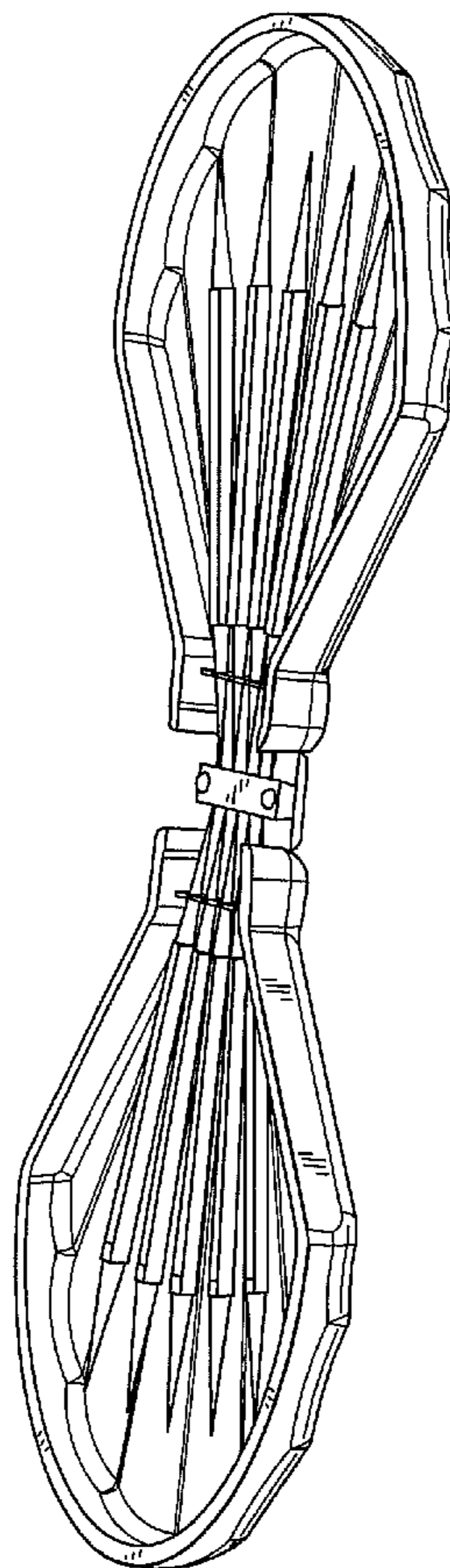
FIG. 3 is a bottom view of the toothpick container;

FIG. 4 is a front view of the toothpick container, the rear view being the same as the front view;

FIG. 5 is a left side view of the toothpick container, the right side view being the same as the left side view; and,

FIG. 6 is a perspective view of the toothpick container shown in a closed position.

1 Claim, 2 Drawing Sheets



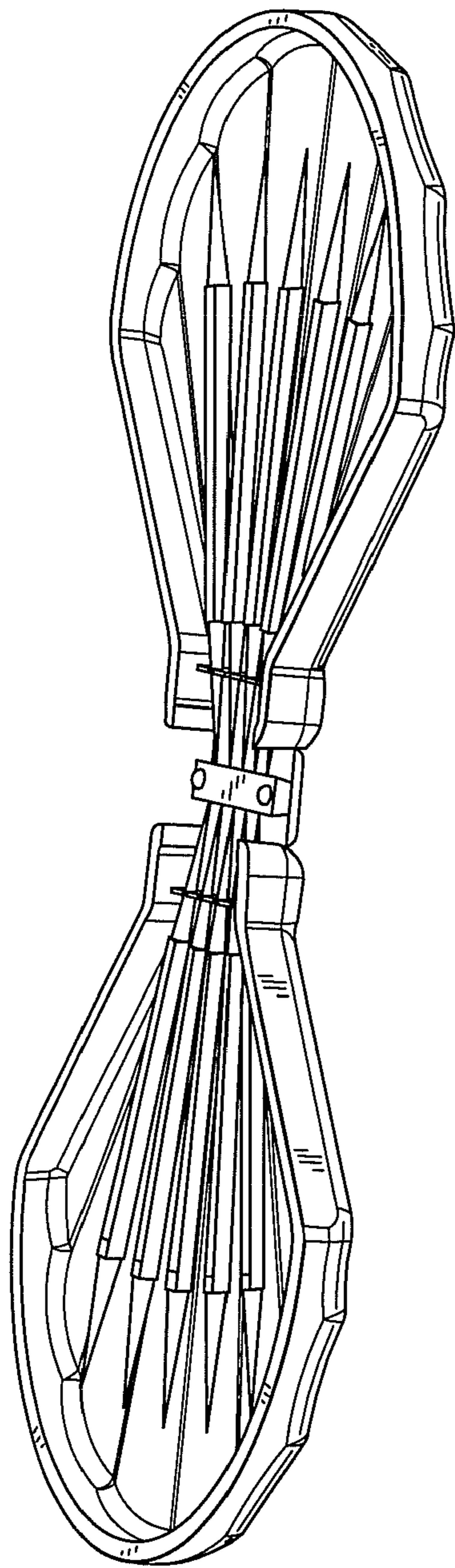


FIG. 1

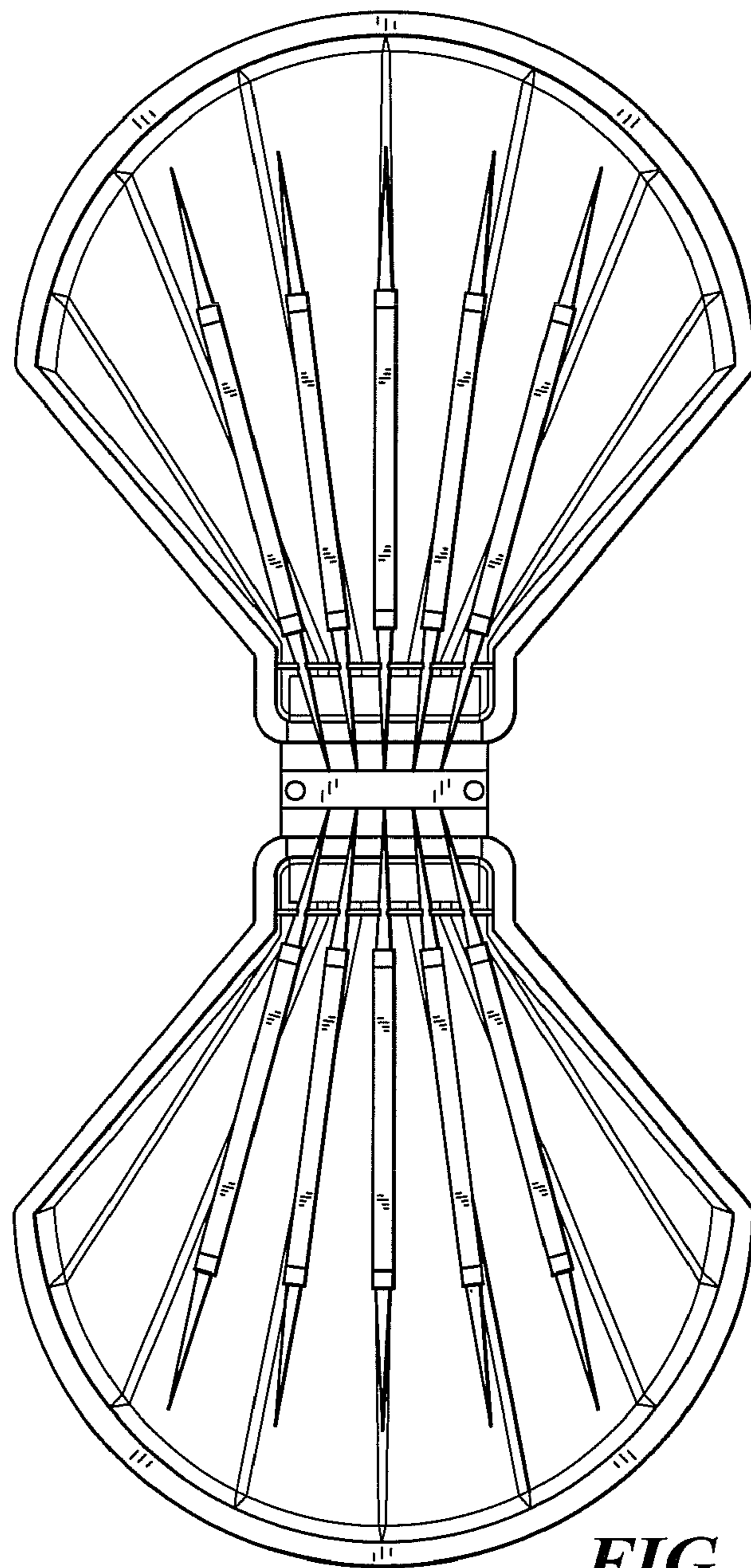


FIG. 2

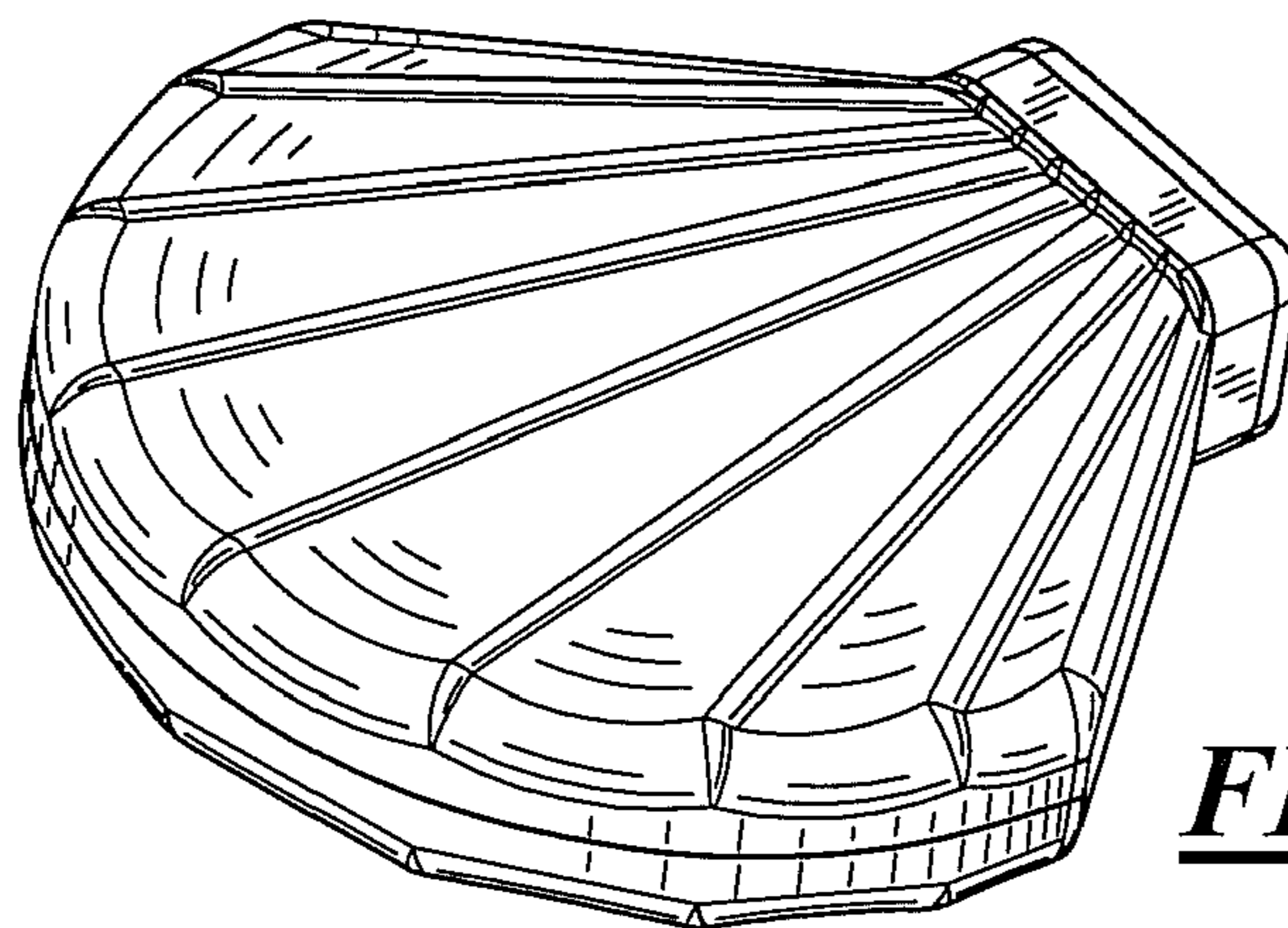


FIG. 6



FIG. 4

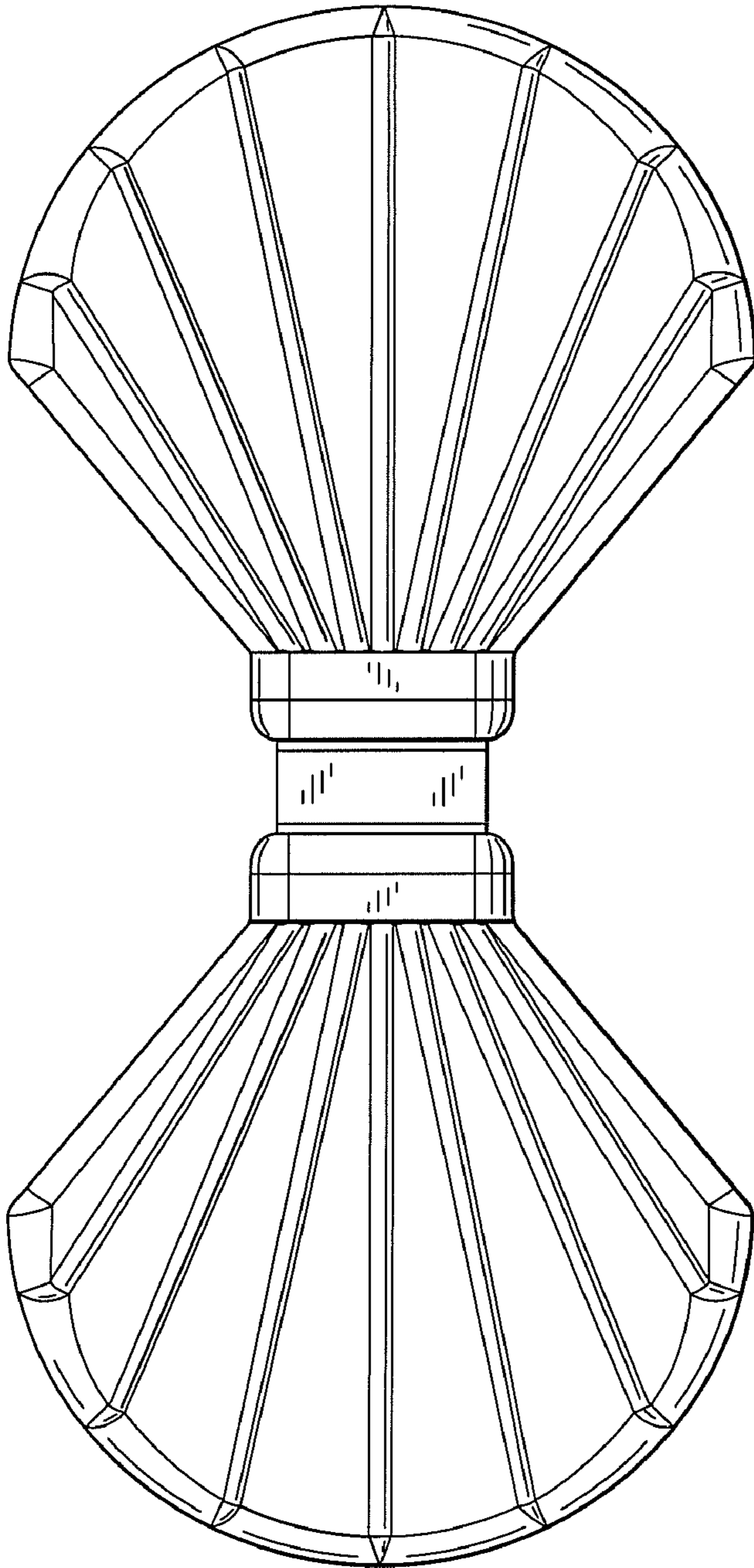


FIG. 3



FIG. 5