

US00D625956S

(12) **United States Design Patent**  
**Goddard-Clark et al.**

(10) **Patent No.:** **US D625,956 S**  
(45) **Date of Patent:** **\*\* Oct. 26, 2010**

(54) **MIXING BOWL**

(75) Inventors: **Lorri Goddard-Clark**, Los Angeles, CA  
(US); **Shari Glazer**, Pacific Palisades,  
CA (US)

(73) Assignee: **GG Colour LLC**, Pacific Palisades, CA  
(US)

(\*\*) Term: **14 Years**

(21) Appl. No.: **29/345,913**

(22) Filed: **Oct. 23, 2009**

(51) **LOC (9) Cl.** ..... **07-01**

(52) **U.S. Cl.** ..... **D7/543; D7/545**

(58) **Field of Classification Search** ..... D7/587,  
D7/500, 586, 566, 561, 560, 543, 629, 602,  
D7/584, 615, 509, 316, 542, 545; D9/428,  
D9/425, 429, 432; D10/46.2; 220/574, 676,  
220/575; 229/406

See application file for complete search history.

(56) **References Cited**

**U.S. PATENT DOCUMENTS**

D285,515 S \* 9/1986 Papciak ..... D7/509  
D404,663 S \* 1/1999 Prindle ..... D10/46.2  
D415,932 S \* 11/1999 Cornelissen ..... D7/587  
6,651,836 B1 \* 11/2003 Hofheins et al. .... 220/575  
6,688,485 B1 \* 2/2004 Lauer et al. .... 220/574  
D526,525 S \* 8/2006 Wasserman et al. .... D7/316

D526,849 S \* 8/2006 Vendl et al. .... D7/545  
D526,850 S \* 8/2006 Sellers et al. .... D7/545  
D577,615 S \* 9/2008 Markfelder ..... D10/46.2  
D579,557 S \* 10/2008 Washington ..... D24/122  
D592,011 S \* 5/2009 Fujimoto et al. .... D7/509  
D613,999 S \* 4/2010 Sierra ..... D7/587

\* cited by examiner

*Primary Examiner*—Robert M Spear

*Assistant Examiner*—Cynthia Underwood

(74) *Attorney, Agent, or Firm*—Woods Oviatt Gilman LLP;  
Katherine H. McGuire, Esq.

(57) **CLAIM**

The ornamental design for a mixing bowl, as shown and described.

**DESCRIPTION**

FIG. 1 is a perspective view of a mixing bowl;

FIG. 2 is a side elevational view thereof;

FIG. 3 is a side elevational view opposite of FIG. 2;

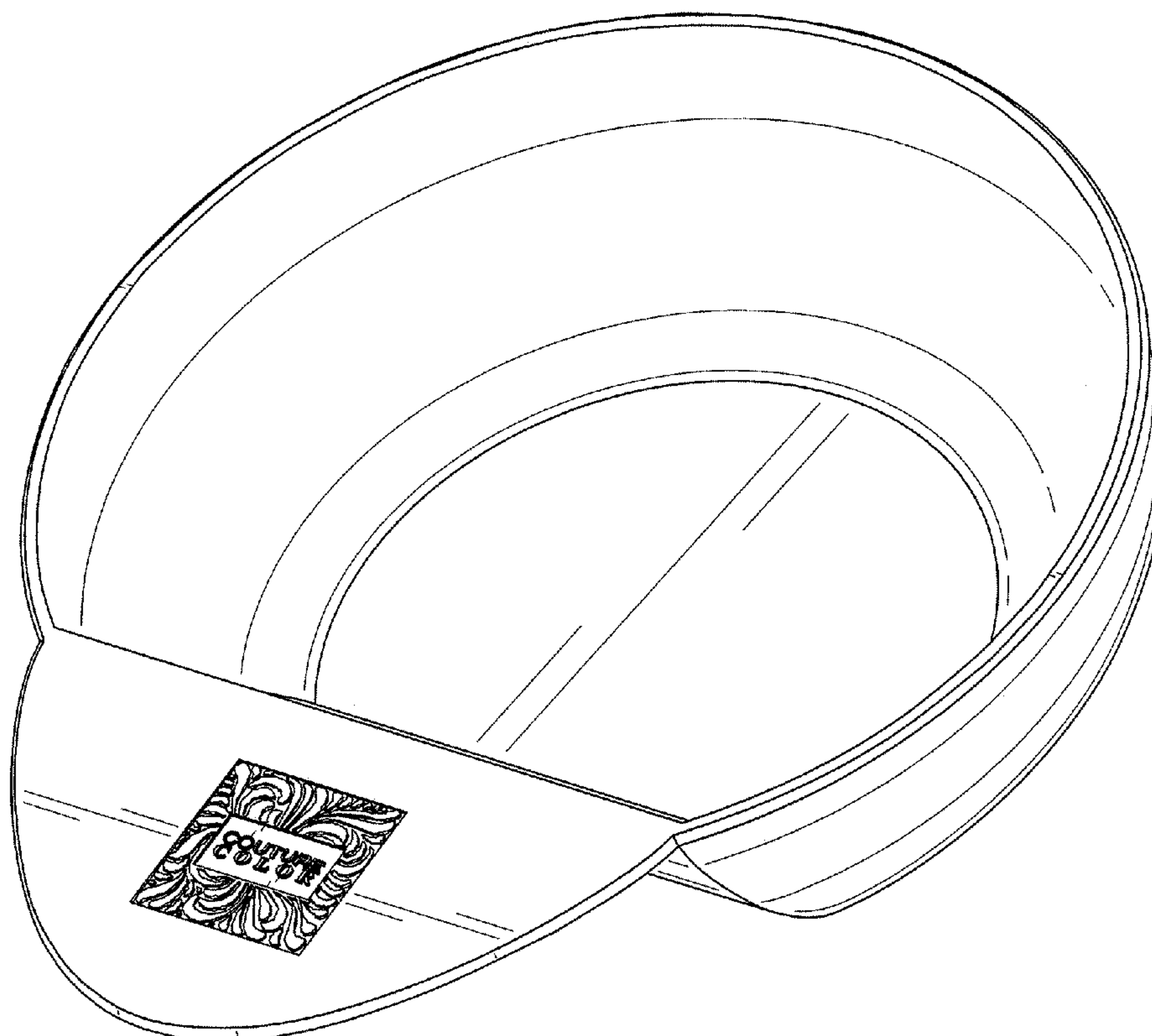
FIG. 4 is a side elevational view thereof as viewed from the left of FIG. 2;

FIG. 5 is a side elevational view thereof as viewed from the right of FIG. 2;

FIG. 6 is a top plan view thereof; and,

FIG. 7 is a bottom plan view thereof.

**1 Claim, 5 Drawing Sheets**



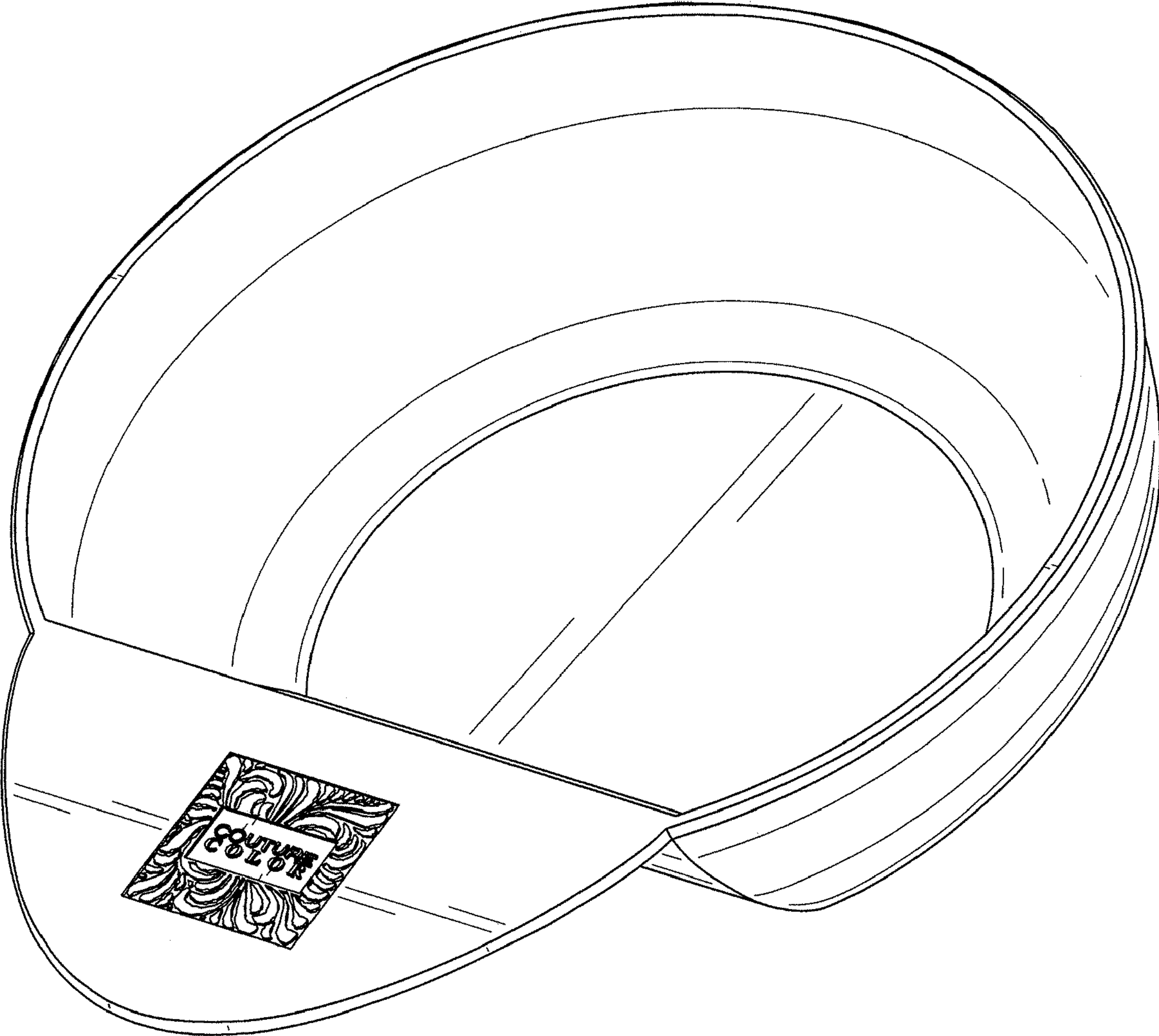


FIG. 1

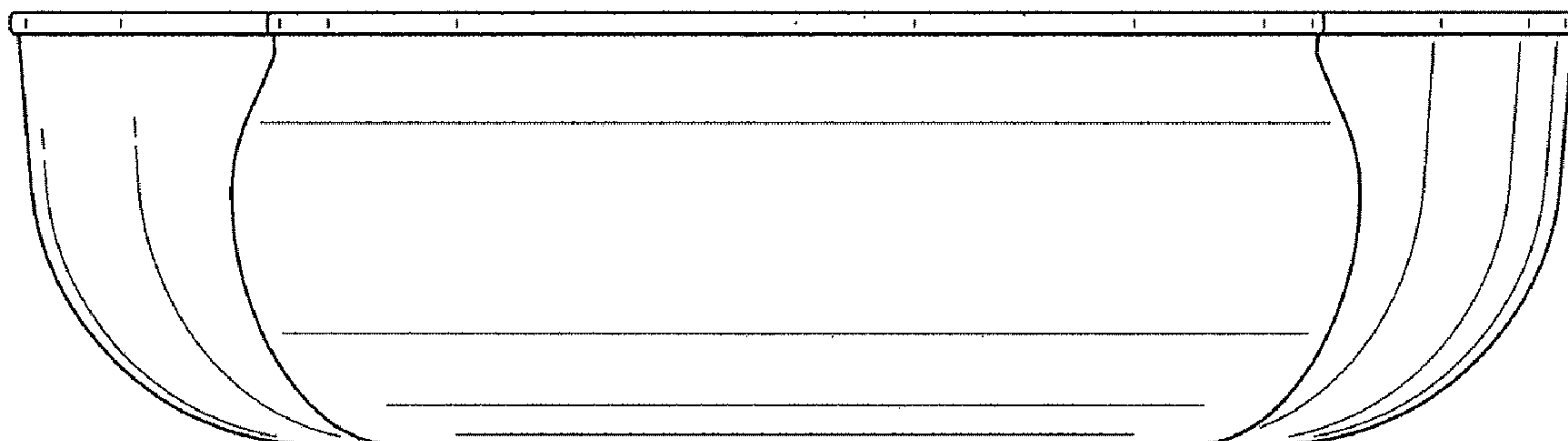


FIG. 2

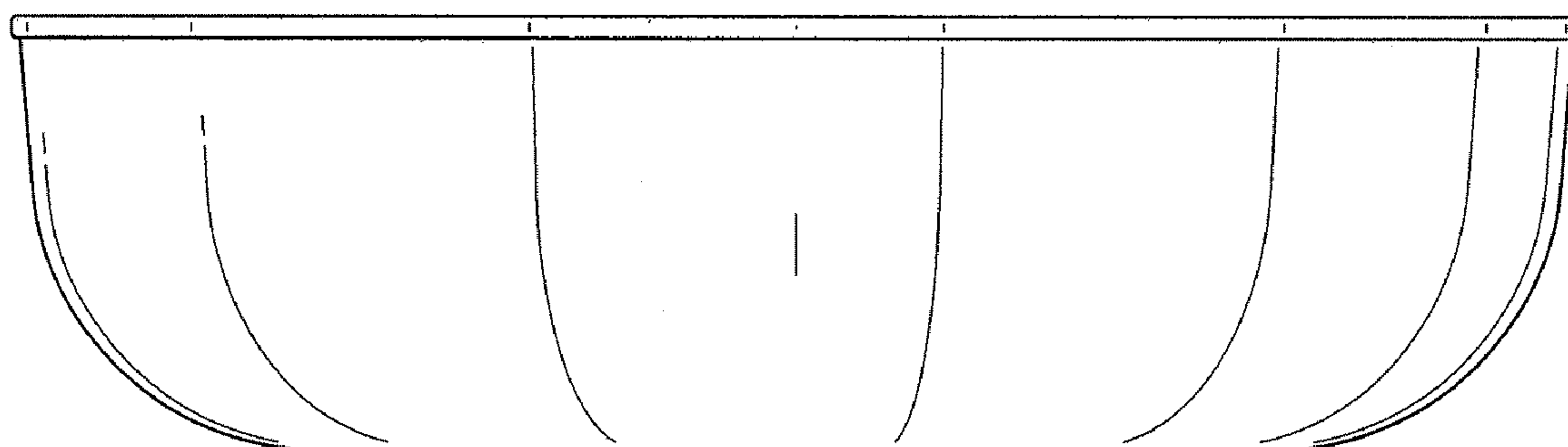


FIG. 3

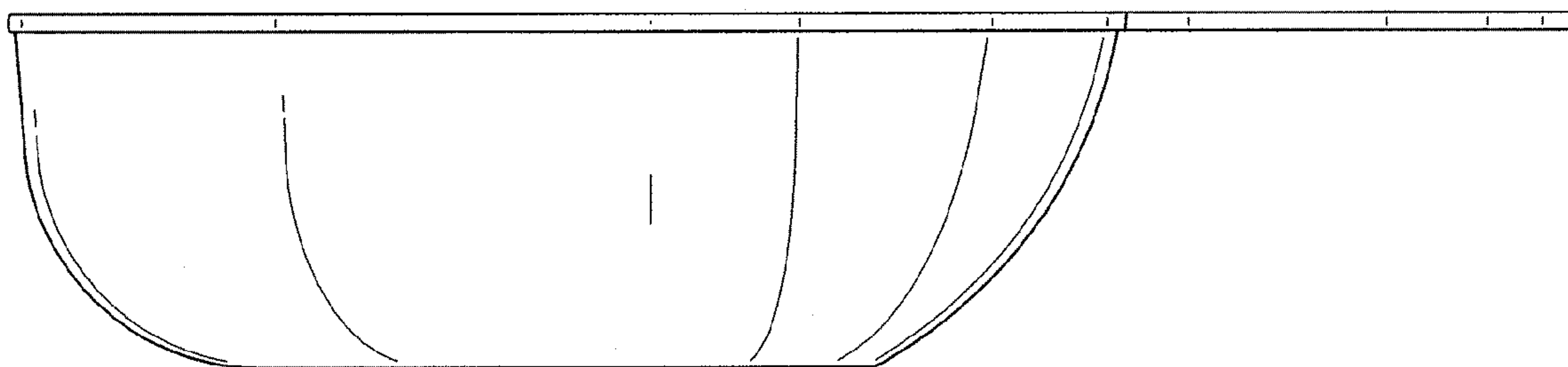


FIG. 4

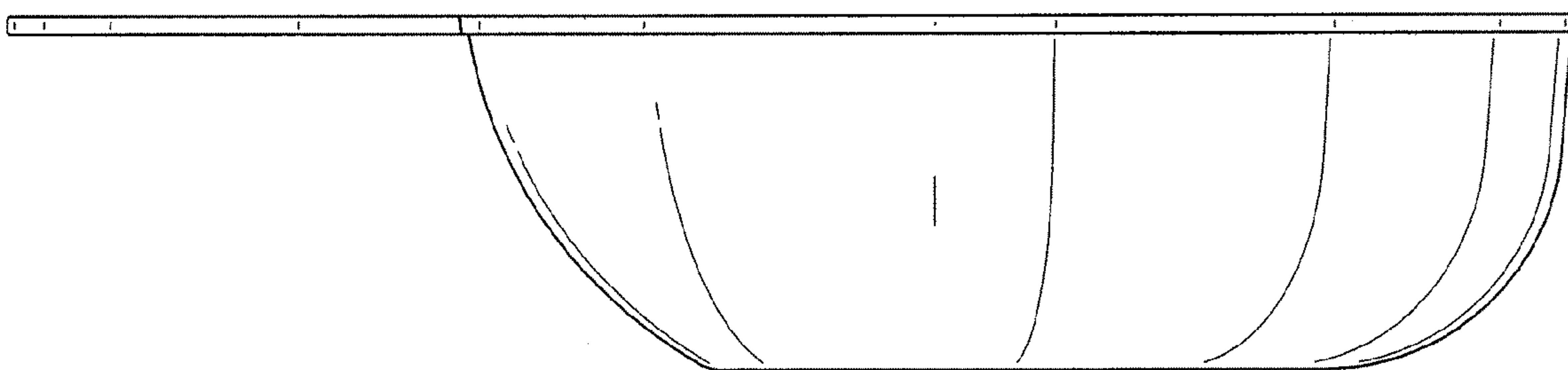


FIG. 5



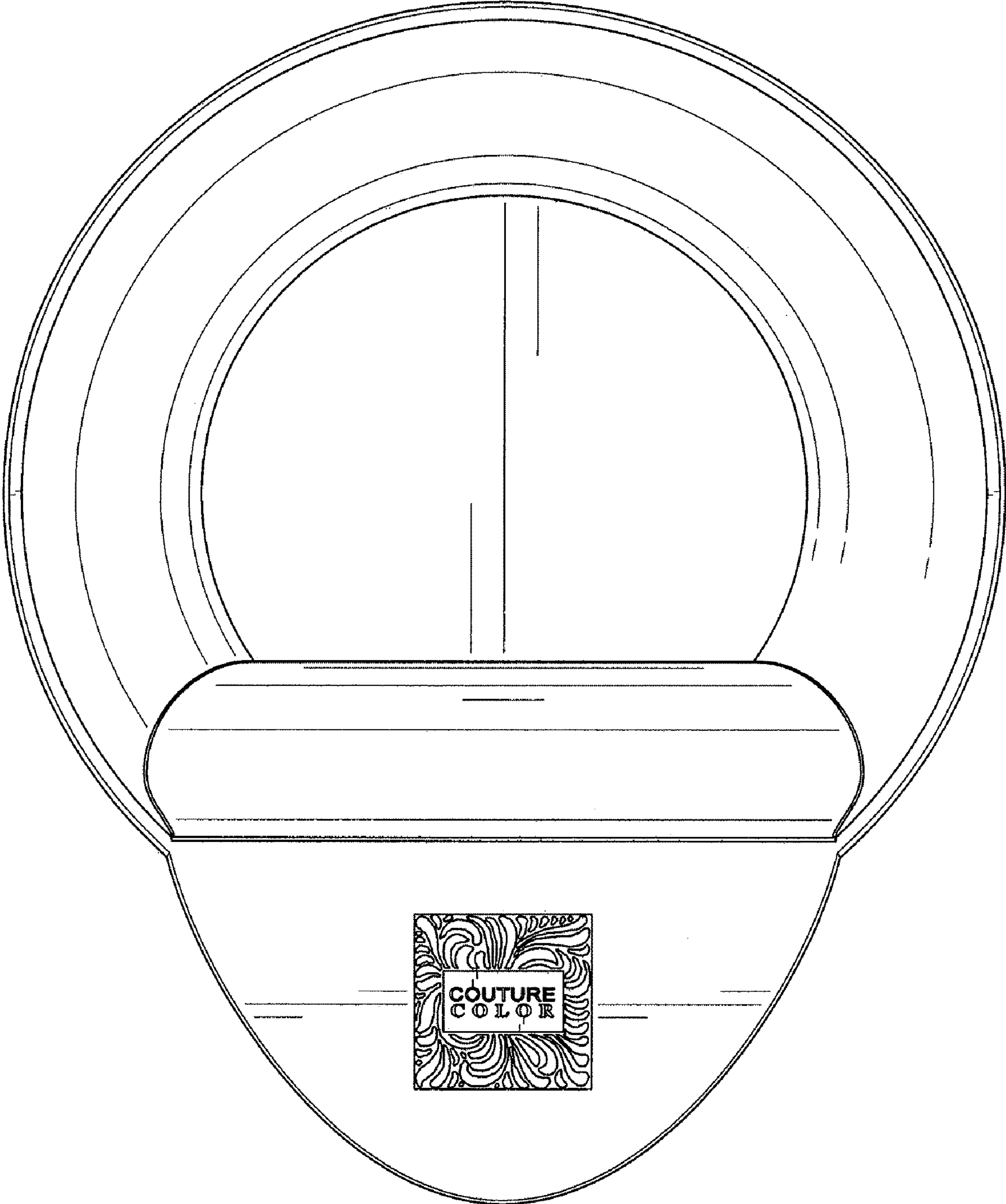


FIG. 6

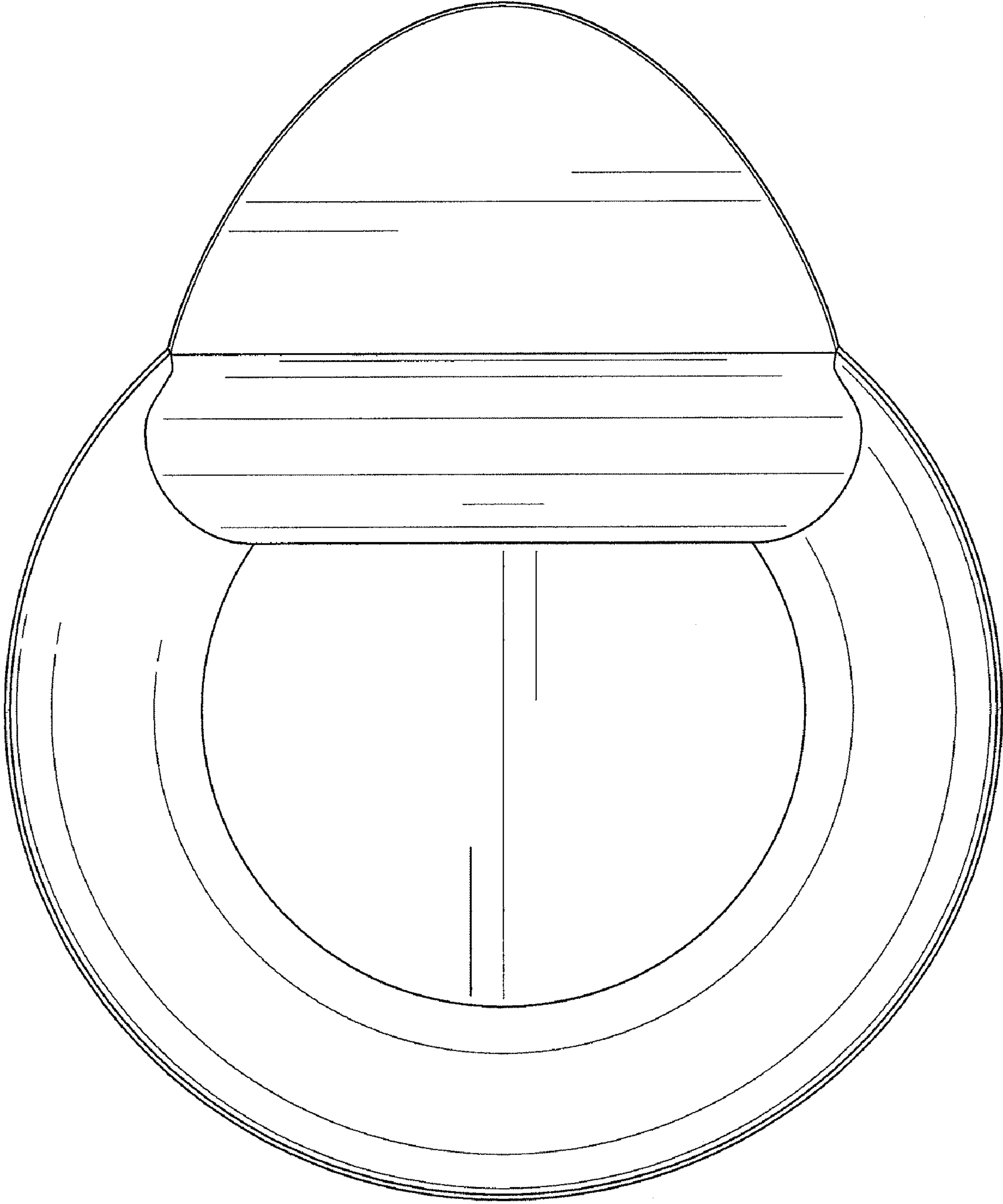


FIG. 7