



US00D625955S

(12) **United States Design Patent**
Yang et al.

(10) **Patent No.:** **US D625,955 S**

(45) **Date of Patent:** **** Oct. 26, 2010**

(54) **BATH TUMBLER**

(75) Inventors: **Frank Yang**, Rancho Palos Verdes, CA (US); **Tzu-Hao Wei**, Hacienda Heights, CA (US); **Helen L. Tang**, Rowland Heights, CA (US)

(73) Assignee: **simplehuman, LLC**, Torrance, CA (US)

(**) Term: **14 Years**

(21) Appl. No.: **29/334,152**

(22) Filed: **Mar. 20, 2009**

(51) **LOC (9) Cl.** **07-01**

(52) **U.S. Cl.** **D7/523**

(58) **Field of Classification Search** D7/500,
D7/509-511, 533, 536, 622, 317, 318, 396.2,
D7/598, 523, 619.1, 540, 300, 601-603, 612,
D7/538; D9/500; 220/703, 710.5, 711, 592.16,
220/592.17, 4.01; D34/1; D19/85; D6/534
See application file for complete search history.

(56) **References Cited**

U.S. PATENT DOCUMENTS

D424,379 S * 5/2000 Kim D7/612

D488,355 S * 4/2004 Irvine D7/603
D518,958 S * 4/2006 Yourist D7/612
D530,157 S * 10/2006 Bodum D7/603
D557,074 S * 12/2007 Bardolet D7/523
D602,740 S * 10/2009 Urquiola D7/603
D610,871 S * 3/2010 Alviar et al. D7/523

* cited by examiner

Primary Examiner—Brian N Vinson

(57) **CLAIM**

We claim the ornamental design for a bath tumbler, as shown and described.

DESCRIPTION

FIG. 1 is a front view of a bath tumbler showing our new design;

FIG. 2 is a rear view thereof;

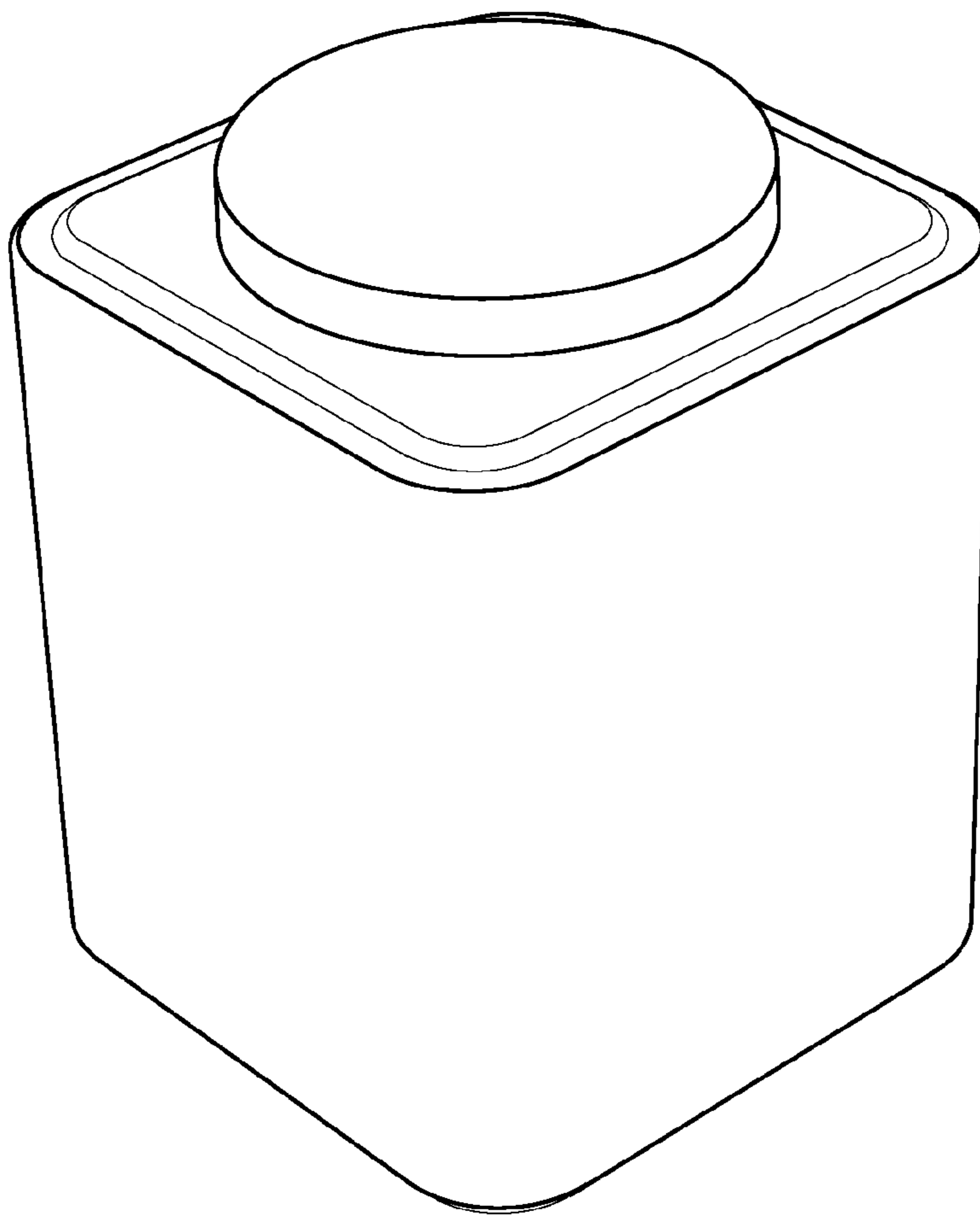
FIG. 3 is a top view thereof;

FIG. 4 is a bottom view thereof;

FIG. 5 is a left view thereof, wherein right view being a mirror view thereof; and,

FIG. 6 is a front, right, and top perspective view thereof.

1 Claim, 6 Drawing Sheets



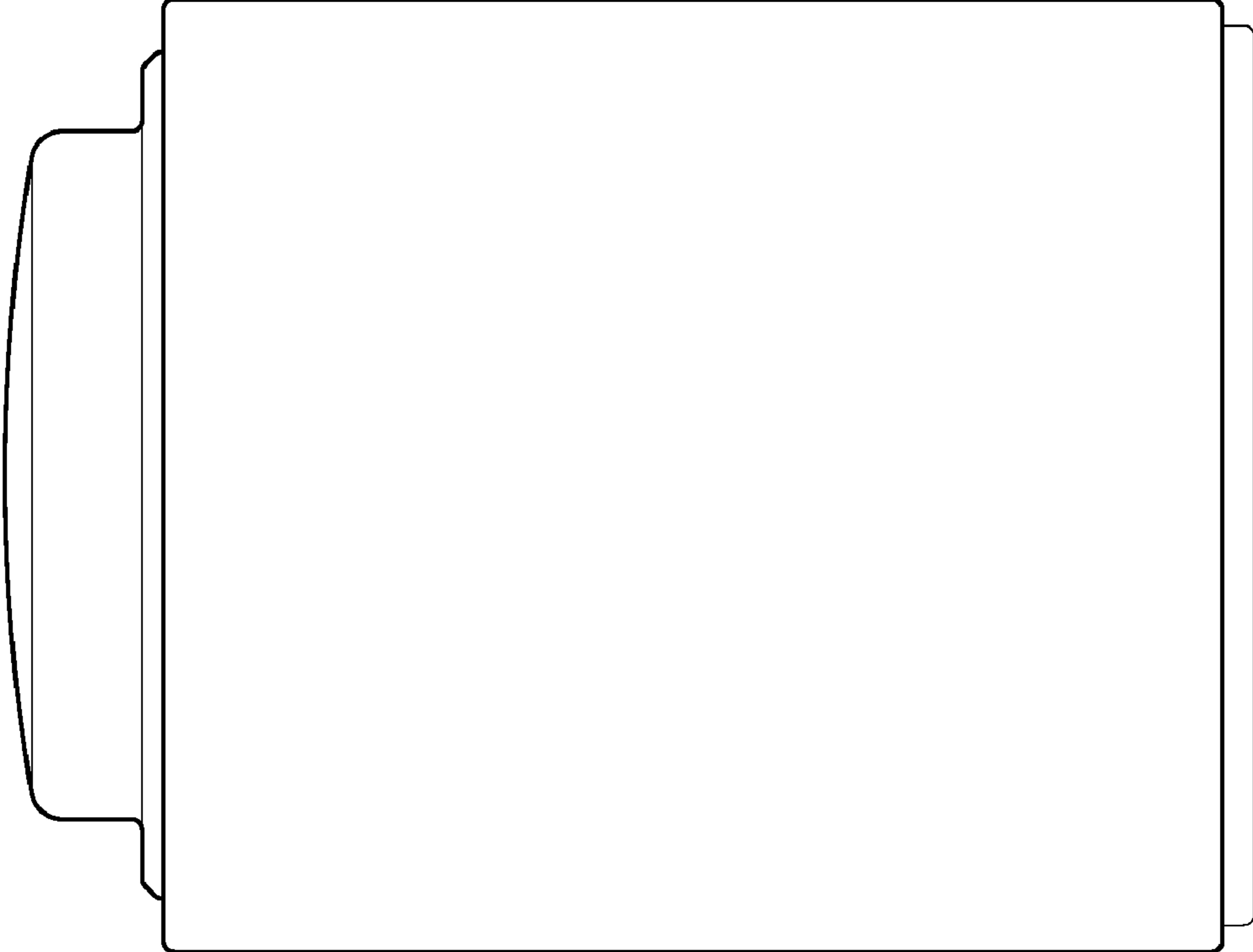


FIGURE 1

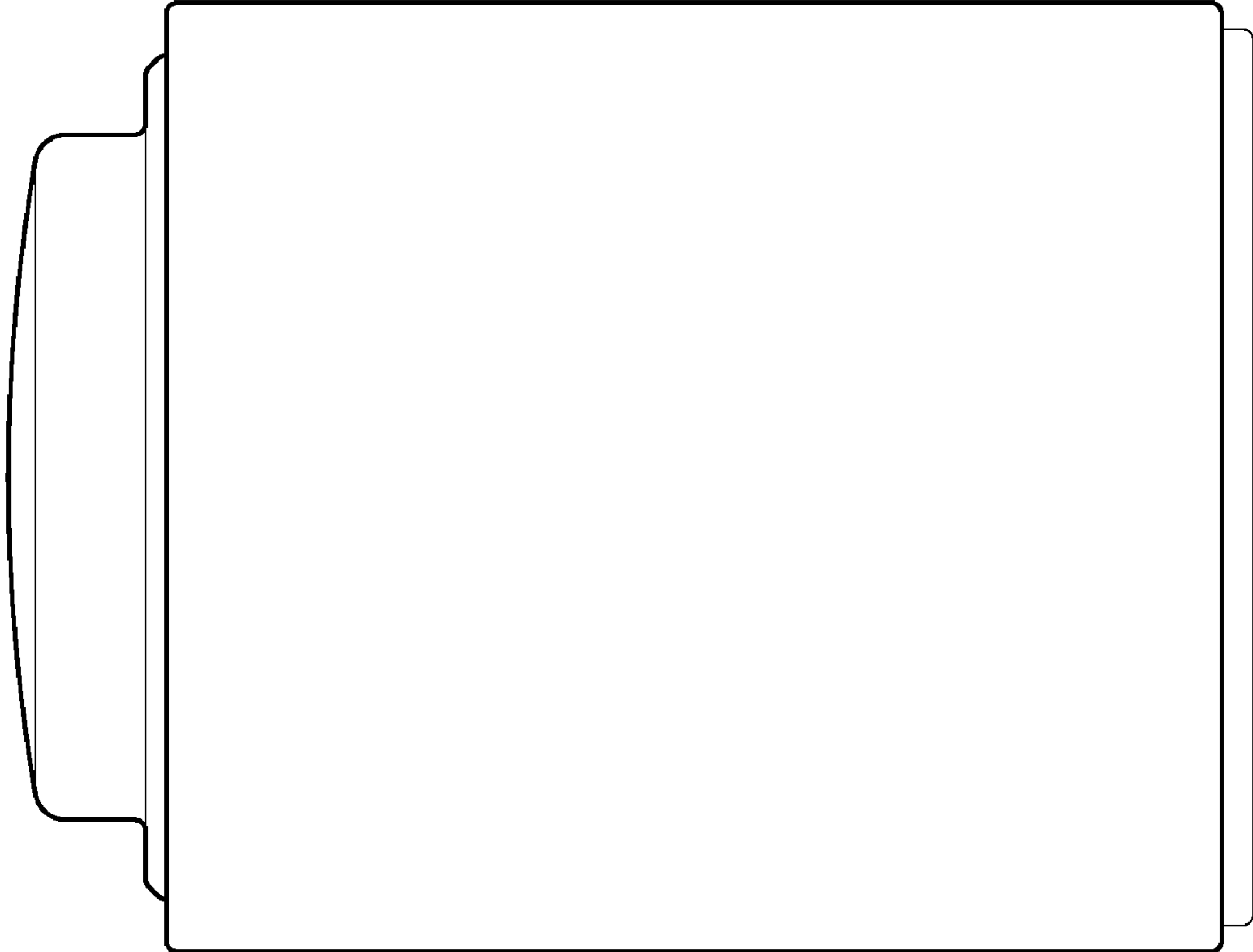


FIGURE 2

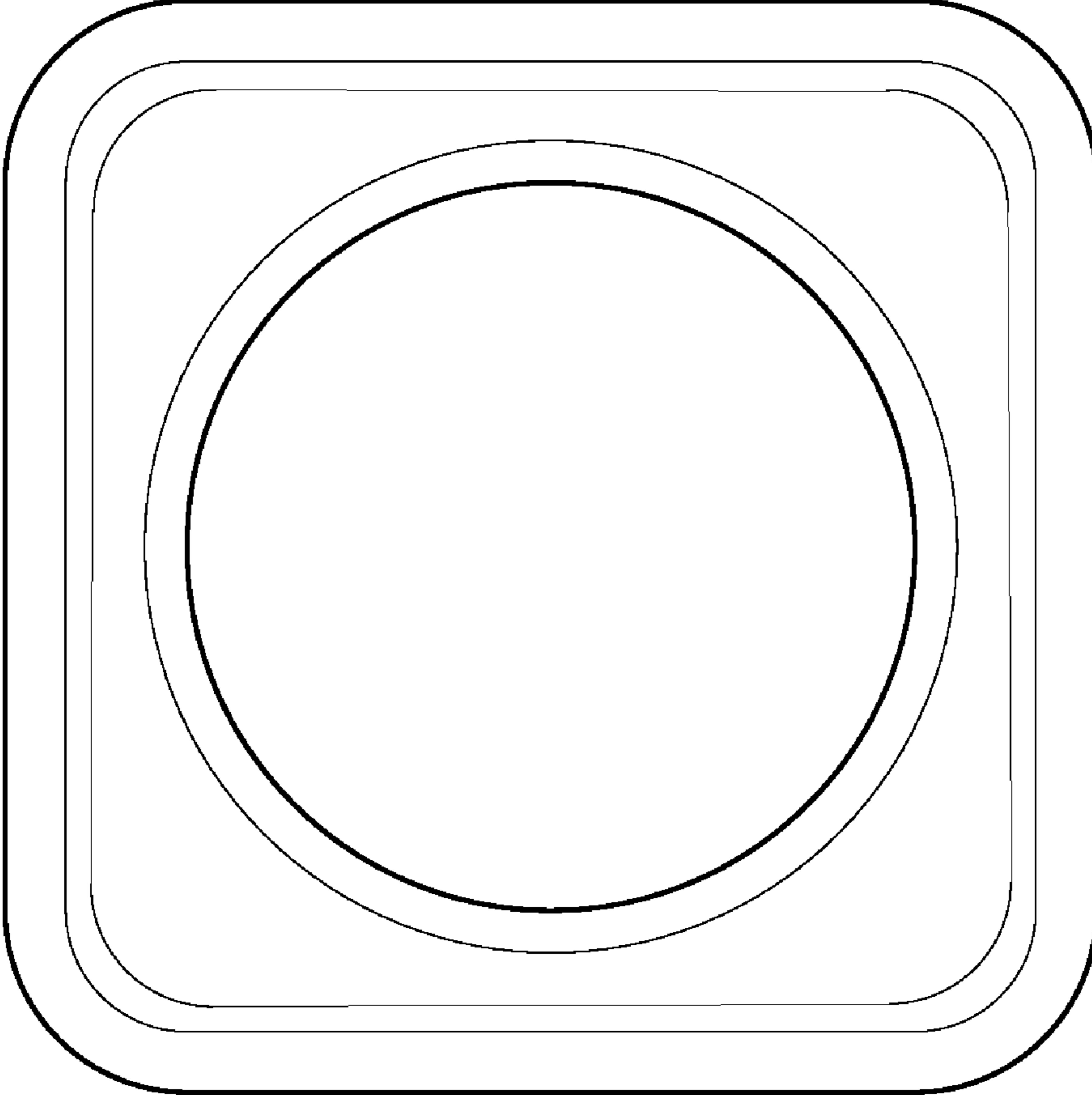


FIGURE 3

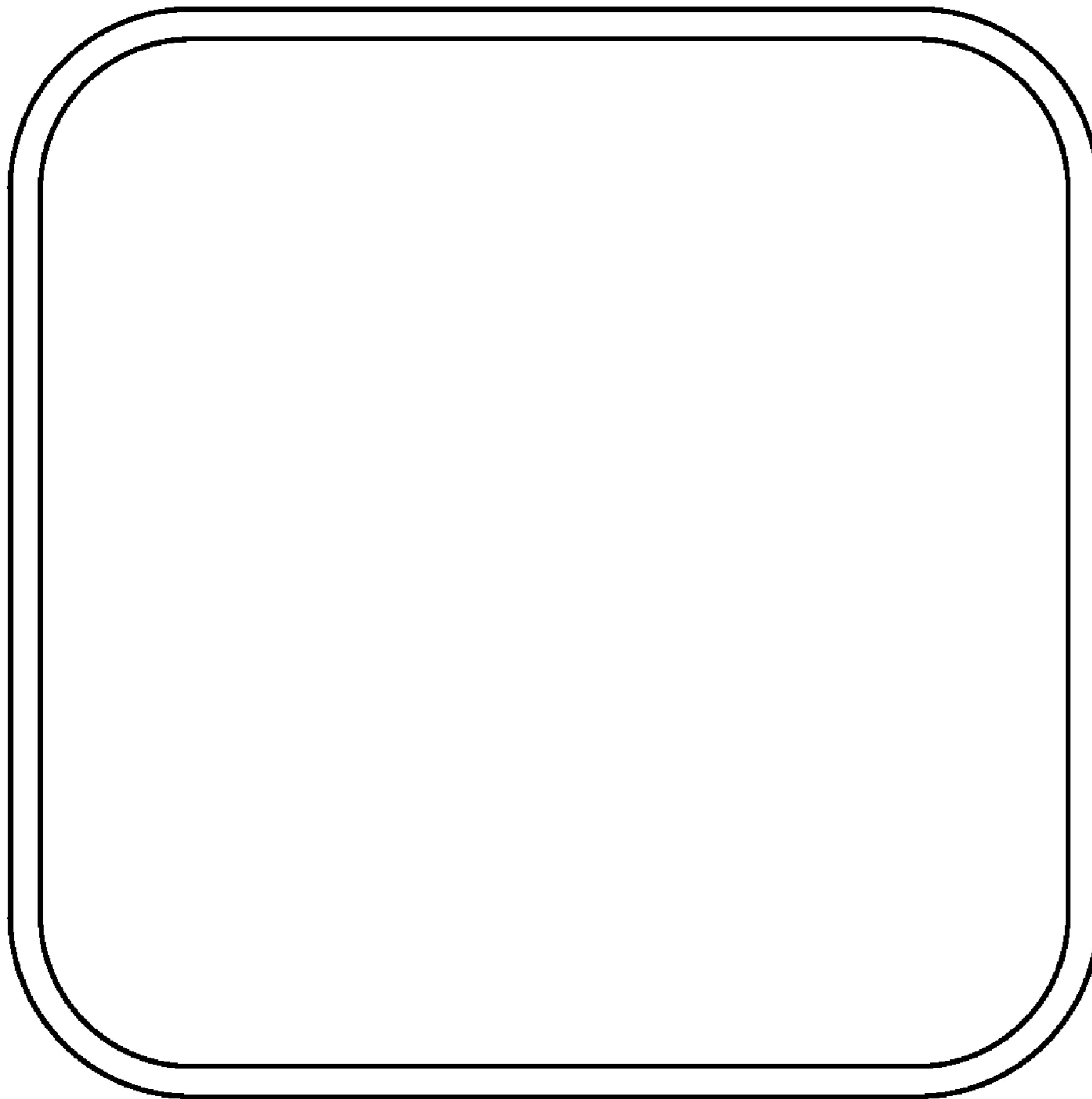


FIGURE 4

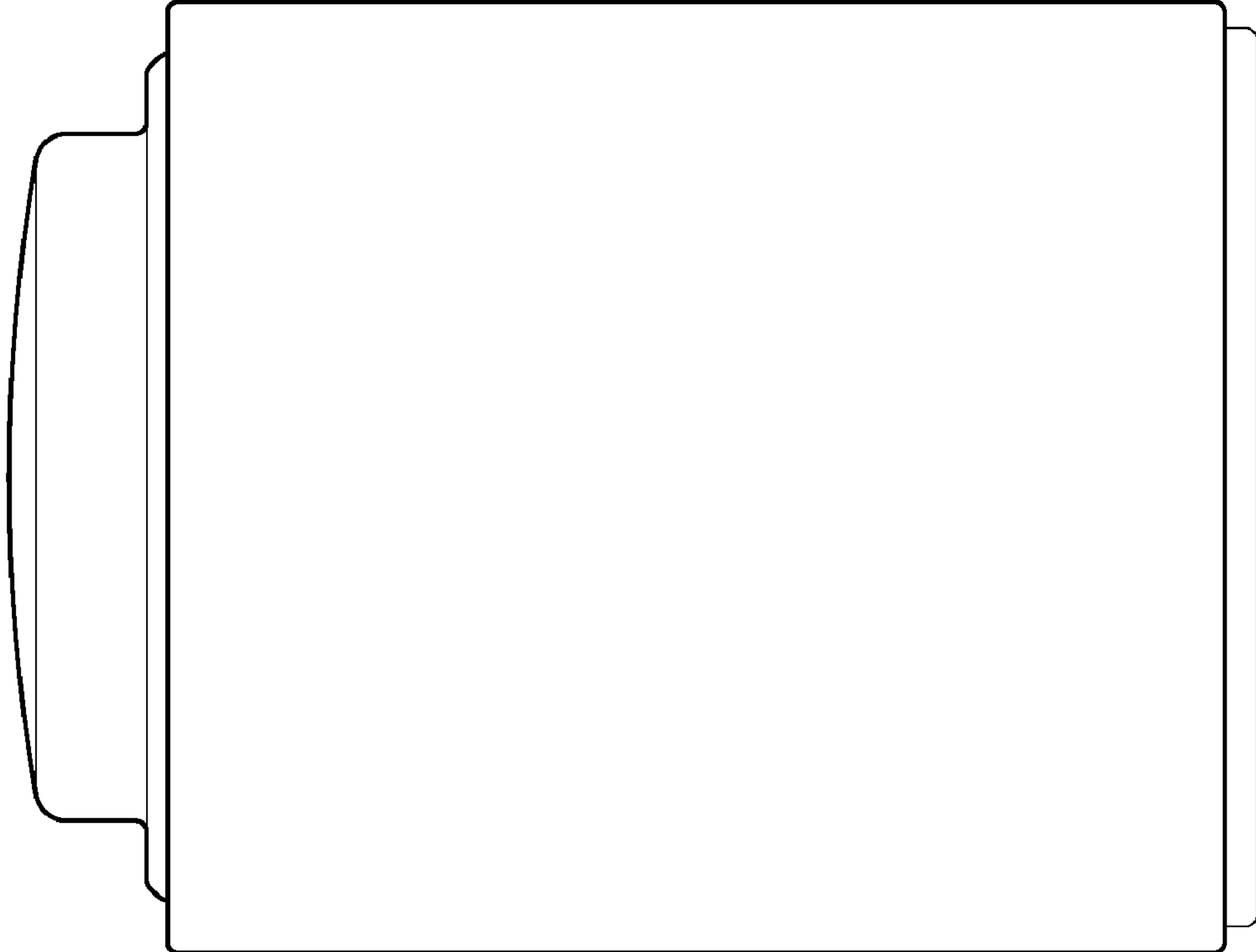


FIGURE 5

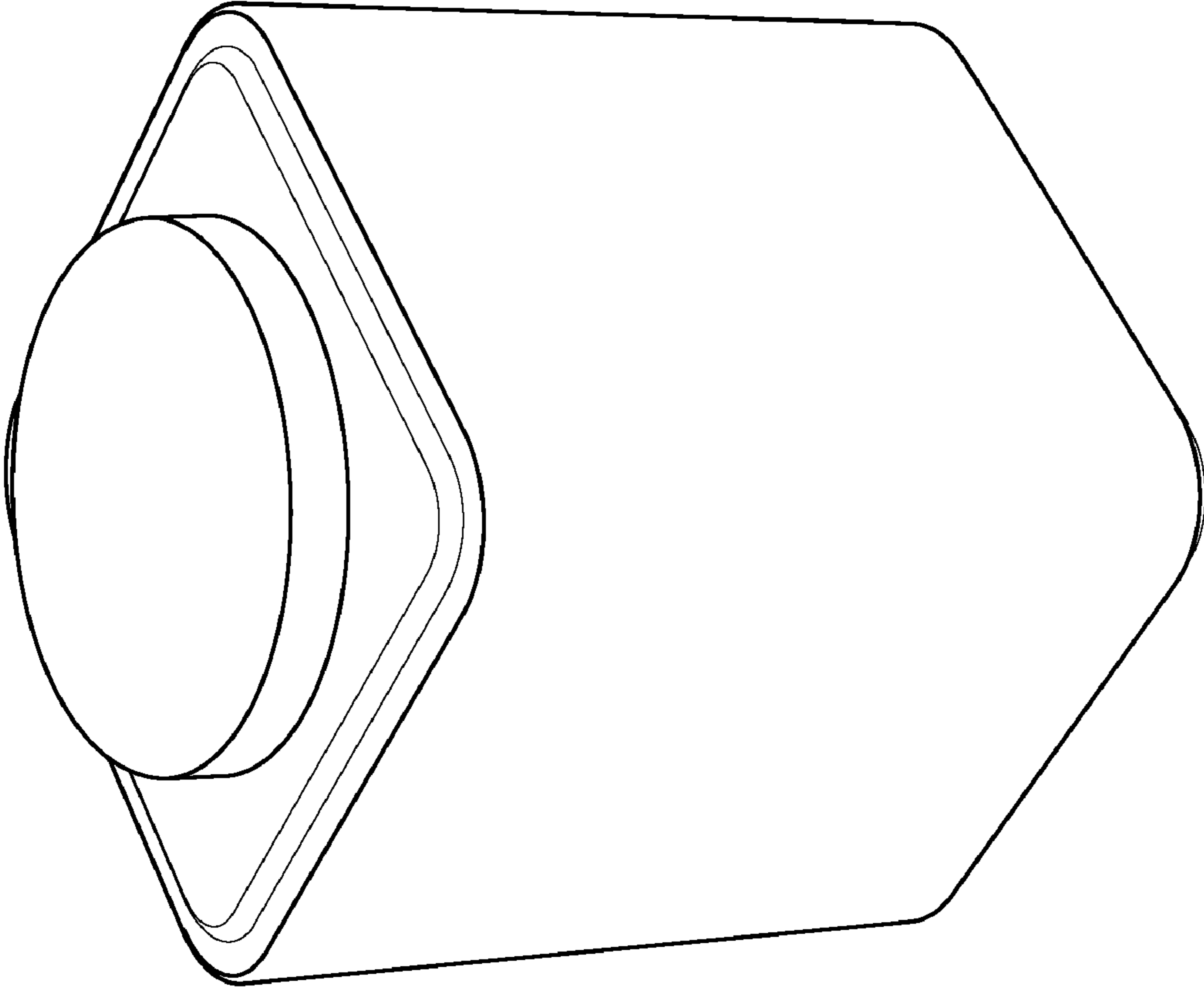


FIGURE 6