

US00D625952S

(12) **United States Design Patent**  
**Nevarez et al.**

(10) **Patent No.:** **US D625,952 S**  
(45) **Date of Patent:** **\*\* Oct. 26, 2010**

(54) **NOZZLE**

5,068,116 A 11/1991 Gibney et al.  
5,186,363 A \* 2/1993 Haynes ..... 222/145.5

(75) Inventors: **Roberto Nevarez**, Hudson, FL (US);  
**William E. Smith**, Land O' Lakes, FL  
(US); **Jan Claesson**, Land O' Lakes, FL  
(US)

(Continued)

**FOREIGN PATENT DOCUMENTS**

EP 1690481 A2 8/2006

(73) Assignee: **Enodis Corporation**, New Port Richey,  
FL (US)

**OTHER PUBLICATIONS**

(\*\*) Term: **14 Years**

International Search Report from the corresponding International  
Application No. PCT/US2009/067227 dated Feb. 17, 2010.

(21) Appl. No.: **29/351,549**

(Continued)

(22) Filed: **Dec. 8, 2009**

*Primary Examiner*—Marianne Pandozzi

(51) **LOC (9) Cl.** ..... **07-01**

(52) **U.S. Cl.** ..... **D7/397; D7/398**

(58) **Field of Classification Search** ..... D7/397,  
D7/300, 398, 306-308; 222/129.1, 145.5  
See application file for complete search history.

(74) *Attorney, Agent, or Firm*—Ohlandt, Greeley, Ruggiero  
& Perle, L.L.P.

(57) **CLAIM**

The ornamental design for a nozzle, as shown and described.

(56) **References Cited**

**DESCRIPTION**

**U.S. PATENT DOCUMENTS**

- 2,653,733 A 9/1953 Rudd et al.
- 2,893,605 A \* 7/1959 Anderson ..... 222/145.3
- D195,714 S \* 7/1963 Cornelius ..... D7/398
- 3,101,872 A 8/1963 Dickinson
- 4,083,462 A 4/1978 Teske et al.
- 4,392,588 A \* 7/1983 Scalera ..... 222/129.4
- 4,531,380 A 7/1985 Hagen ..... 62/320
- 4,610,145 A 9/1986 Arzberger et al.
- D286,005 S \* 10/1986 Rutter ..... D7/398
- 4,638,875 A 1/1987 Murray
- 4,708,487 A 11/1987 Marshall
- 4,790,240 A 12/1988 Henn et al.
- 4,941,593 A 7/1990 Hicks et al.
- 5,067,819 A 11/1991 Heinhold et al.

FIG. 1 is a top perspective view of a nozzle of the present disclosure;

FIG. 2 is a bottom perspective view of the nozzle of FIG. 1;

FIG. 3 is a front view of the nozzle of FIG. 1;

FIG. 4 is a rear view of the nozzle of FIG. 1;

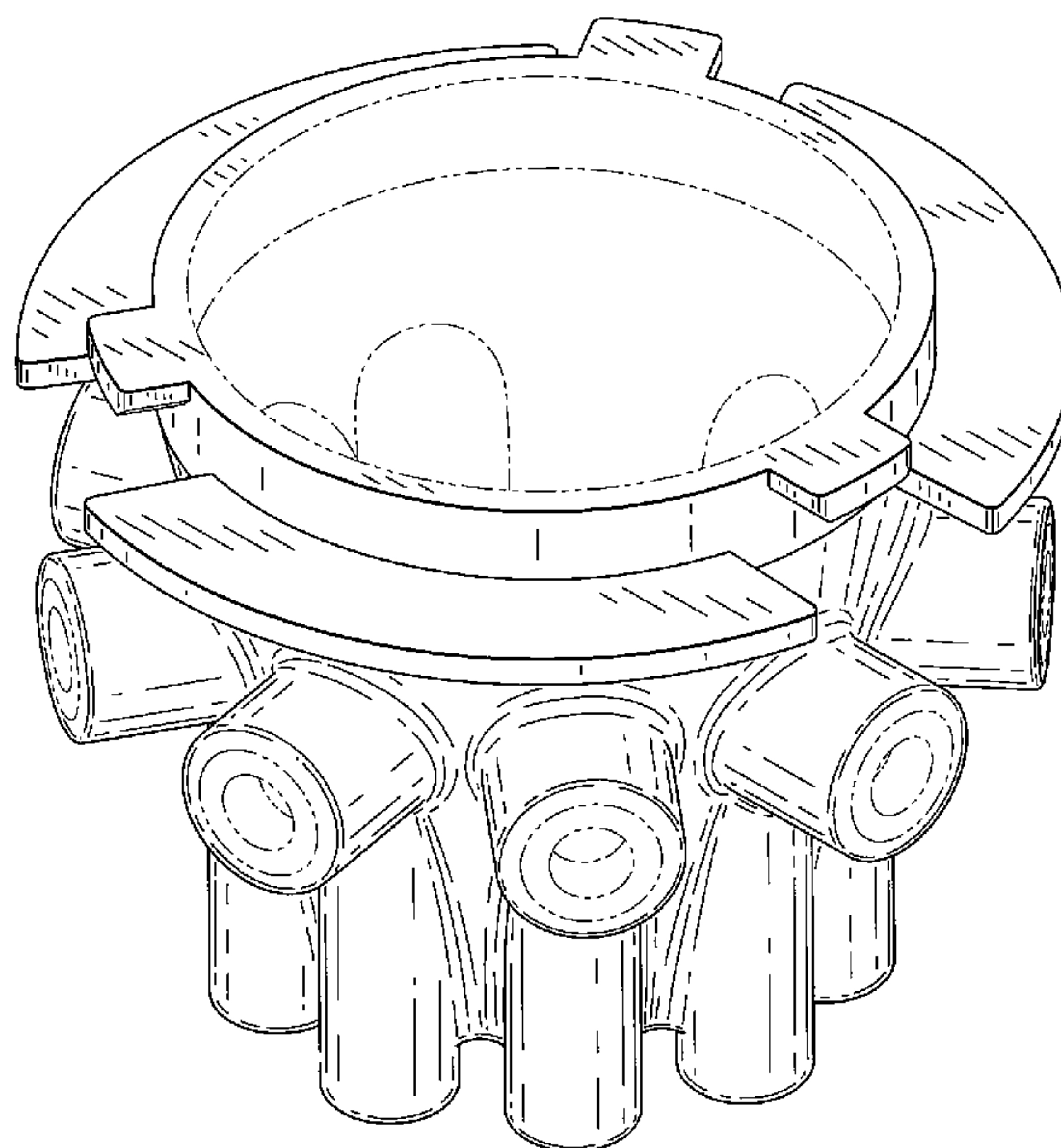
FIG. 5 is a side view of the nozzle of FIG. 1, the opposite side being a mirror image thereto;

FIG. 6 is a top view of the nozzle of FIG. 1; and,

FIG. 7 is a bottom view of the nozzle of FIG. 1.

The broken lines in the drawings are included for the purpose of illustration and form no part of the claimed design.

**1 Claim, 7 Drawing Sheets**



# US D625,952 S

Page 2

## U.S. PATENT DOCUMENTS

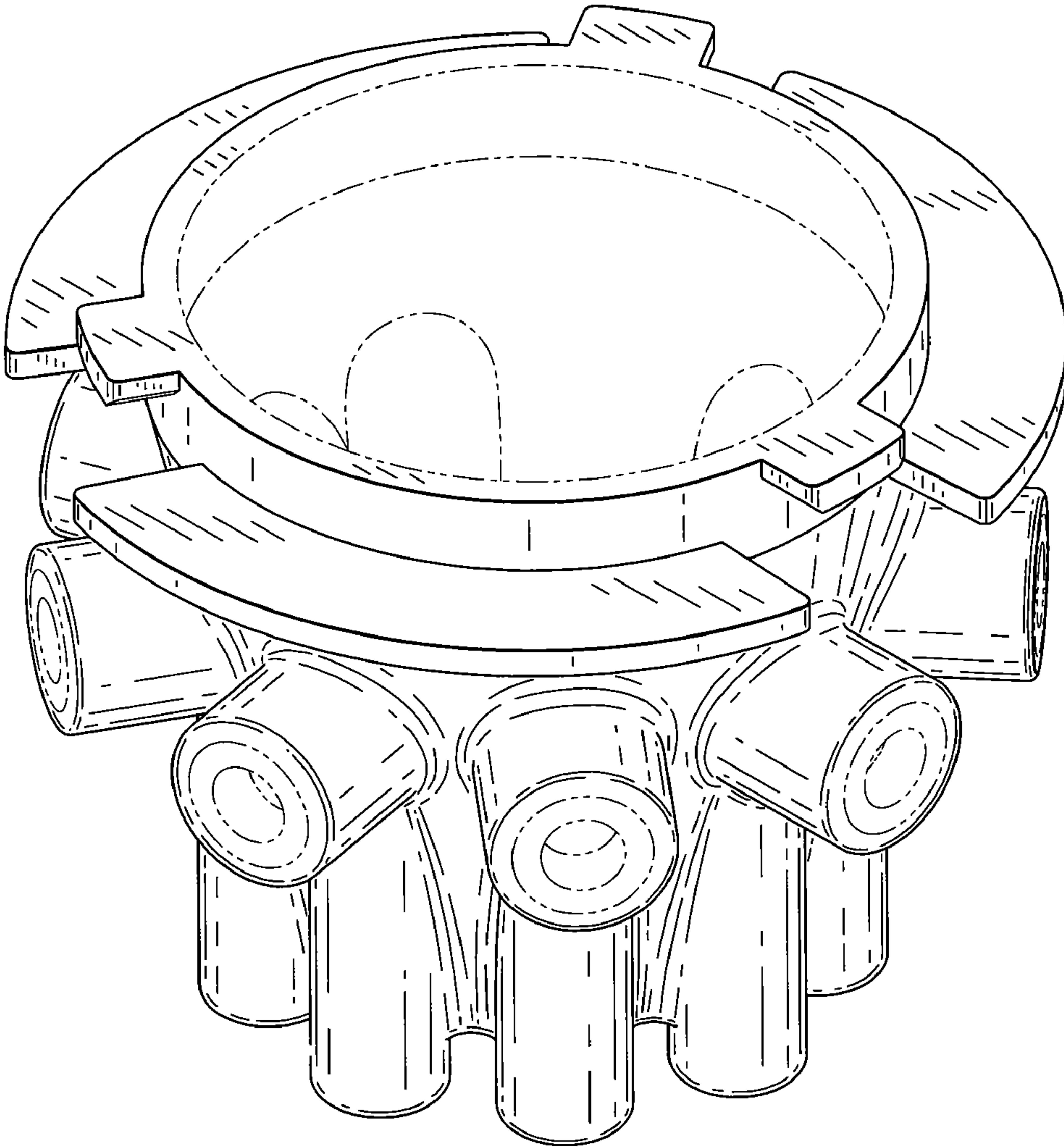
5,619,901 A 4/1997 Reese et al.  
5,683,011 A 11/1997 Miliani  
5,960,701 A 10/1999 Reese et al.  
6,253,963 B1 \* 7/2001 Tachibana ..... 222/129.1  
6,321,938 B1 \* 11/2001 Edwards et al. .... 222/1  
6,345,729 B1 \* 2/2002 Santy, Jr. .... 222/1  
6,401,981 B1 \* 6/2002 McCann et al. .... 222/129.1  
6,490,872 B1 12/2002 Beck et al.  
6,607,096 B2 8/2003 Glass et al. .... 222/100  
6,684,646 B2 2/2004 Voute et al.  
6,945,157 B2 9/2005 Brown et al. .... 99/275  
7,207,506 B1 4/2007 Dickson, Jr. et al. .... 241/21  
7,325,485 B2 2/2008 Carhuff et al. .... 99/452  
7,383,966 B2 6/2008 Ziesel ..... 222/100  
7,487,887 B2 \* 2/2009 Ziesel ..... 222/129.1  
7,578,415 B2 \* 8/2009 Ziesel et al. .... 222/129.1  
7,614,524 B2 11/2009 Girard et al.  
7,665,632 B2 \* 2/2010 Ziesel ..... 222/129.1  
2004/0040983 A1 \* 3/2004 Ziesel ..... 222/129.1  
2005/0183426 A1 8/2005 Leamed

2005/0242120 A1 11/2005 Sato et al.  
2006/0196886 A1 \* 9/2006 Fox ..... 222/129.1  
2007/0095859 A1 5/2007 Maser et al.  
2007/0131715 A1 \* 6/2007 Minard et al. .... 222/145.5  
2007/0205220 A1 9/2007 Rudick et al.  
2007/0205221 A1 9/2007 Carpenter et al.  
2008/0093382 A1 4/2008 Sher et al.  
2008/0279040 A1 11/2008 Neilson

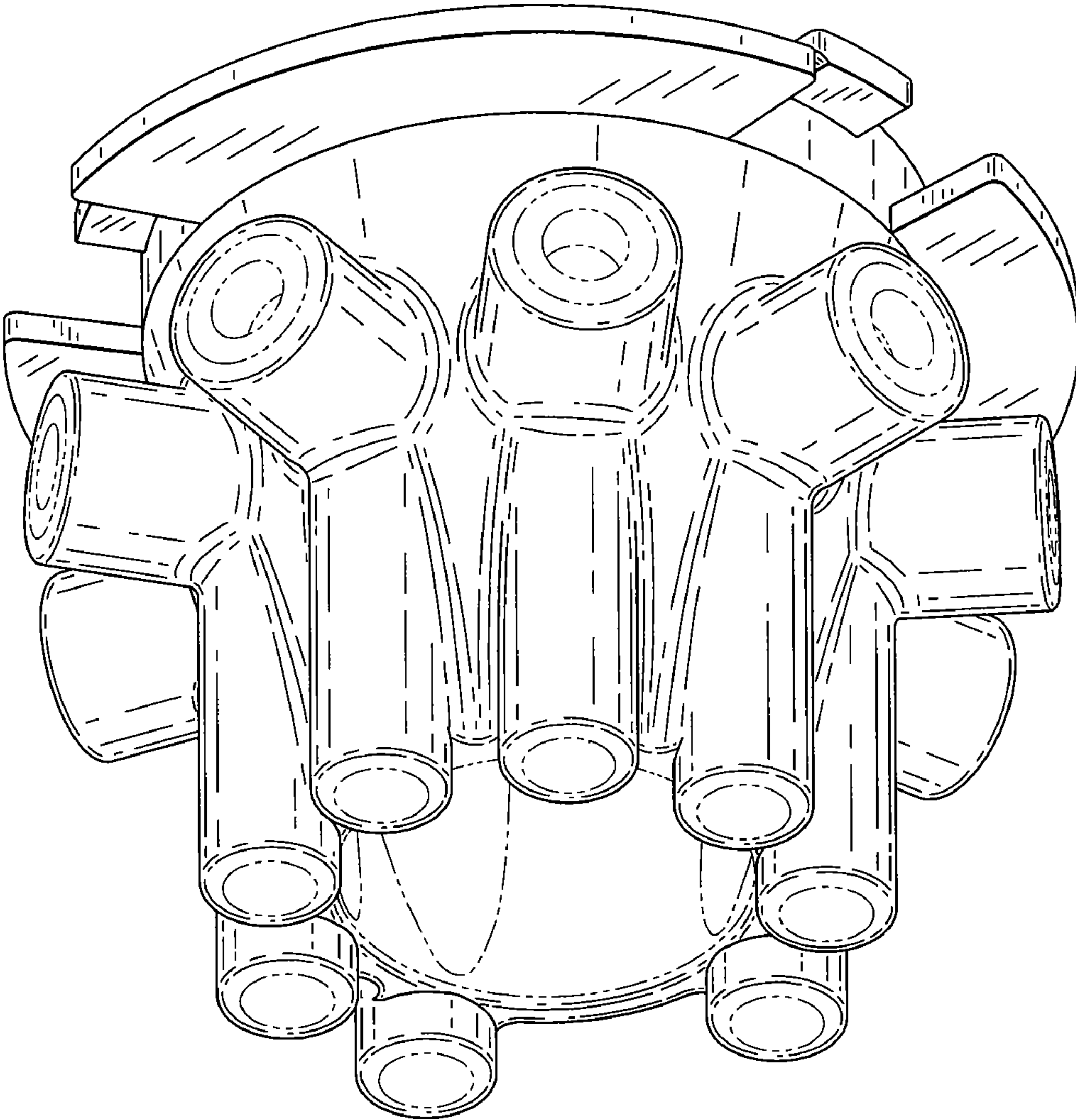
## OTHER PUBLICATIONS

International Search Report from corresponding PCT Application No. PCT/US2009/067225 dated Feb. 4, 2010.  
International Search Report from corresponding PCT Application No. PCT/US2009/067226 dated Feb. 4, 2010.  
International Search Report from corresponding PCT Application No. PCT/US2009/067230 dated Feb. 4, 2010.  
International Search Report from corresponding PCT Application No. PCT/US2009/067229 dated Feb. 4, 2010.  
International Search Report from corresponding PCT Application No. PCT/US2009/067223 dated Jan. 26, 2010.

\* cited by examiner

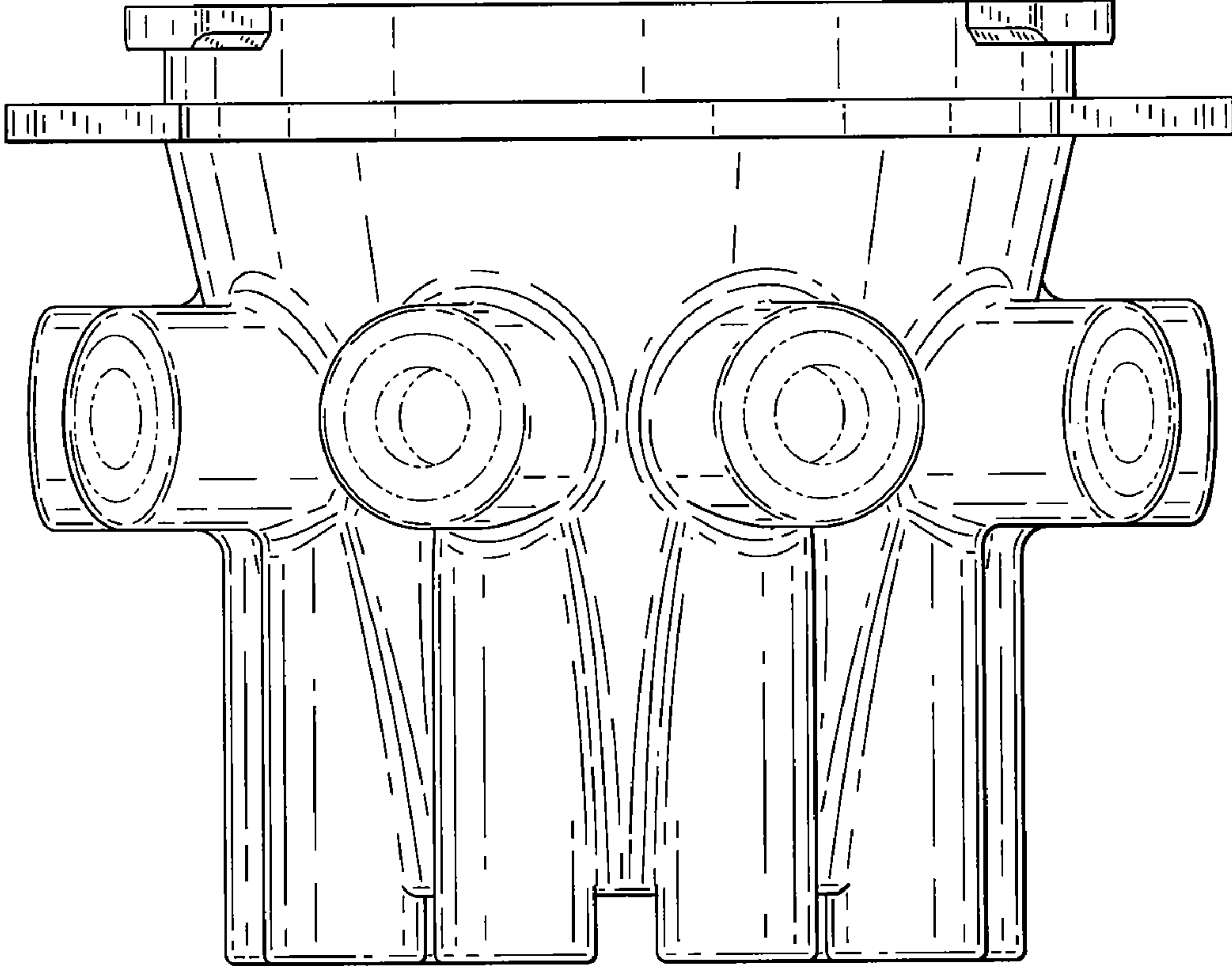


**FIG. 1**

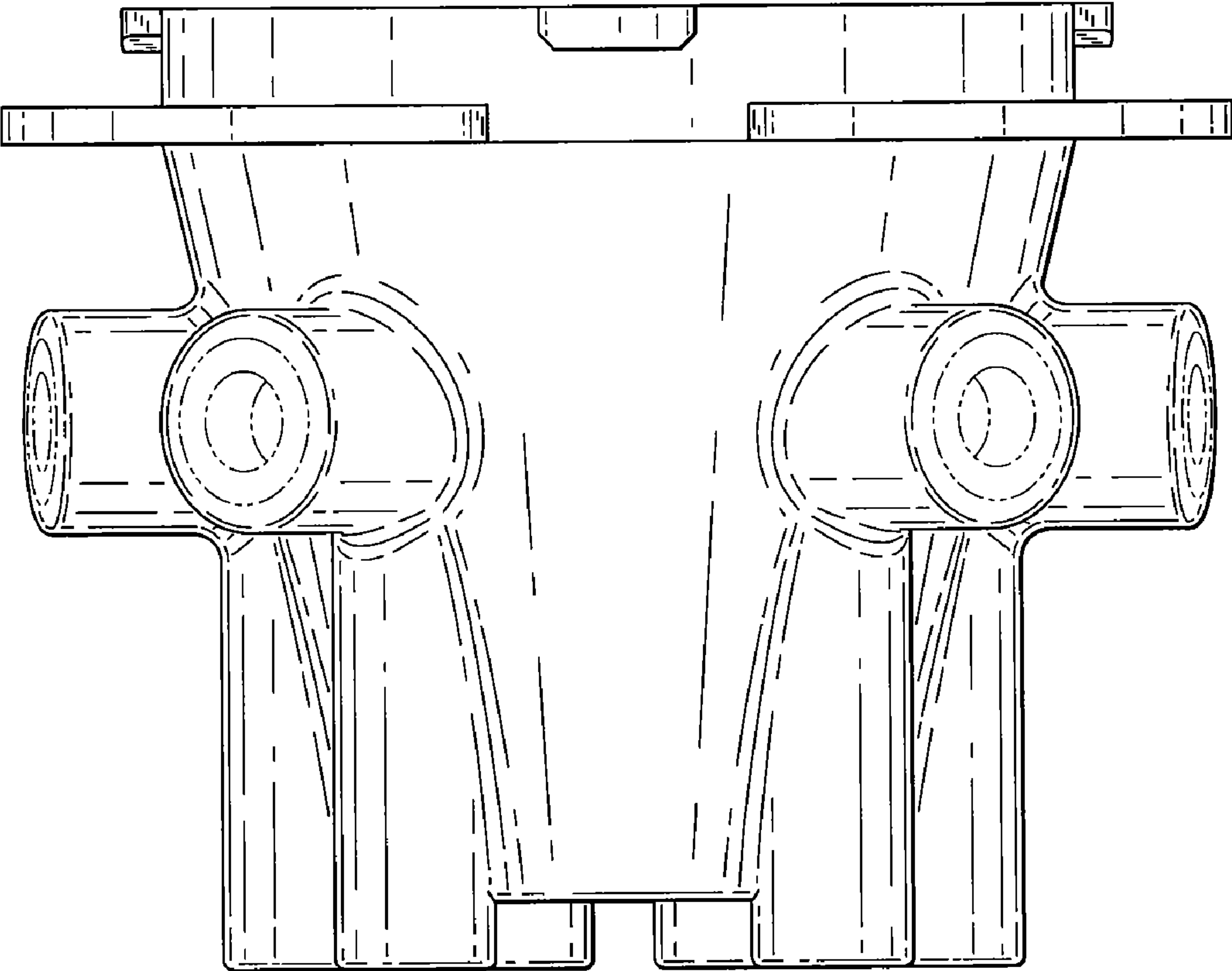


**FIG. 2**

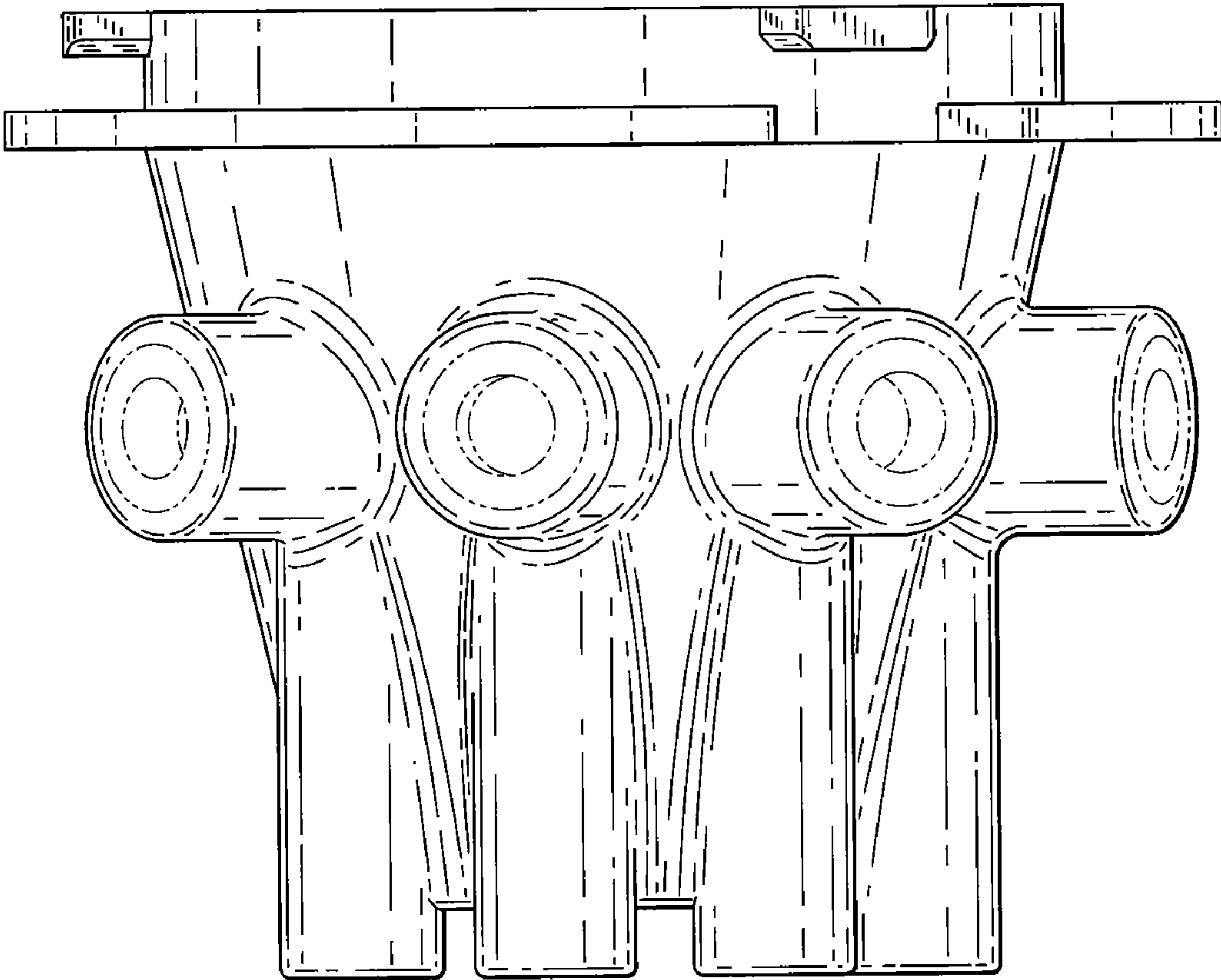




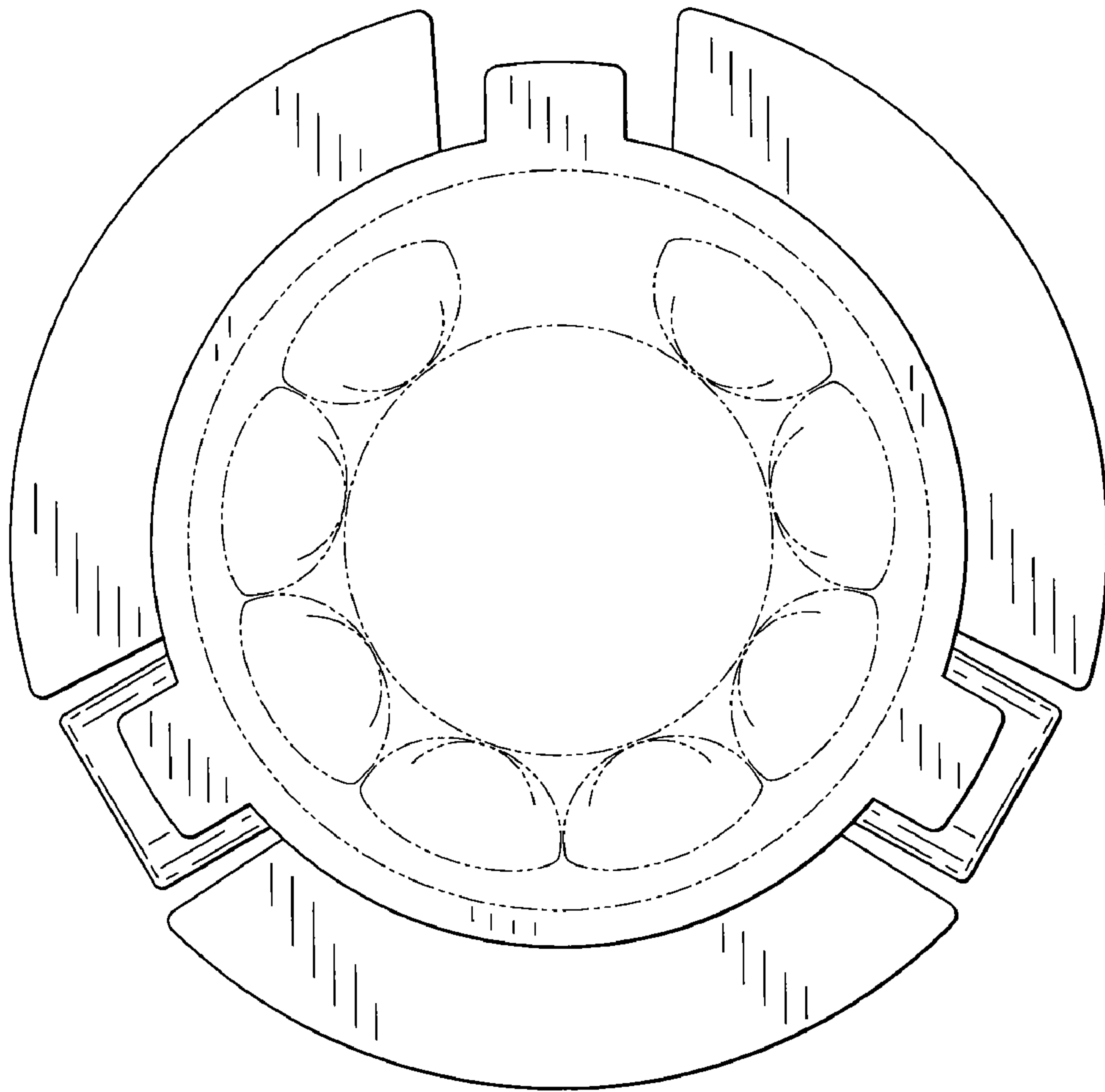
**FIG. 3**



**FIG. 4**

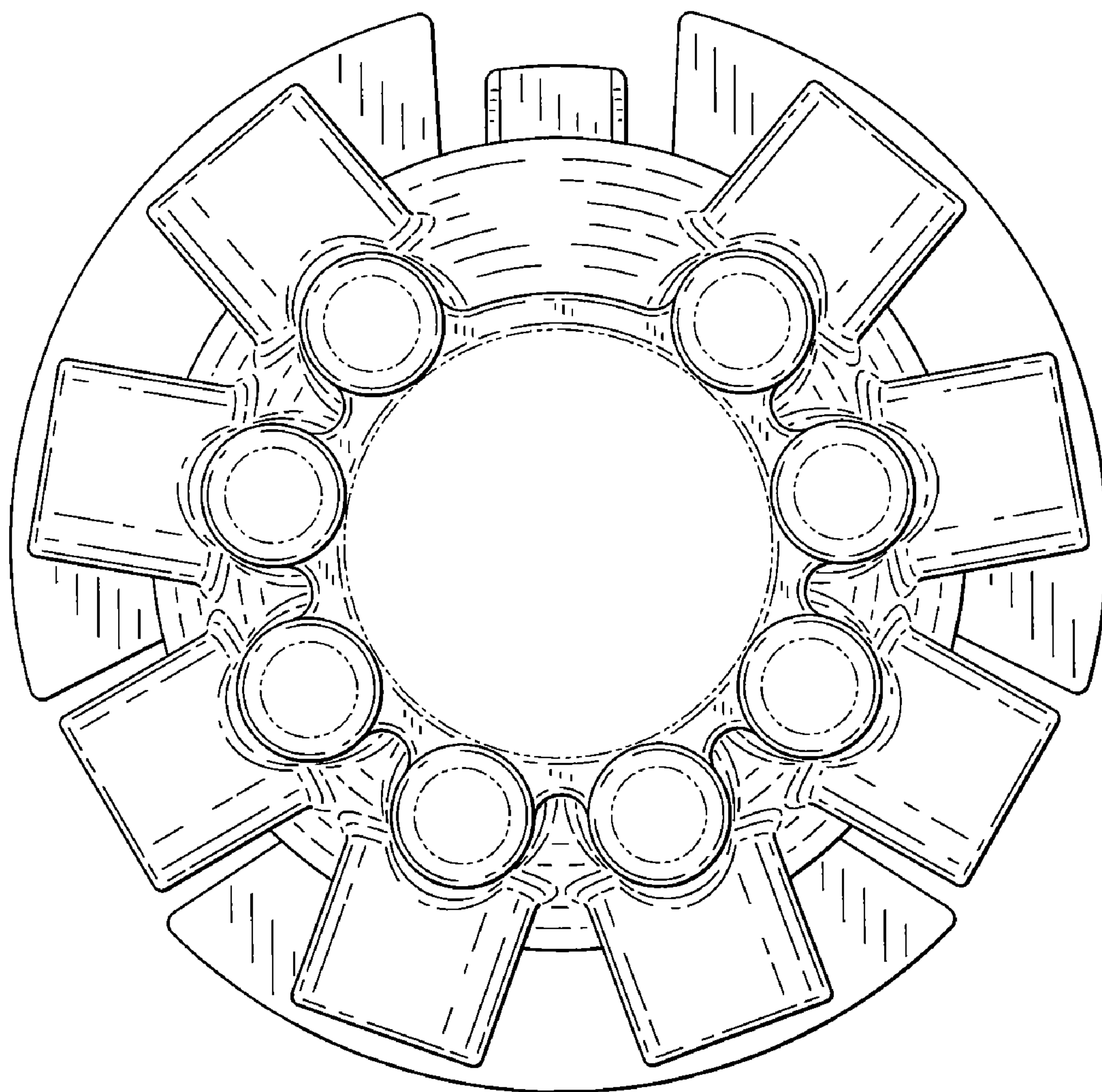


**FIG. 5**



**FIG. 6**





**FIG. 7**