



US00D625951S

(12) **United States Design Patent**
Baek

(10) **Patent No.:** **US D625,951 S**

(45) **Date of Patent:** **** Oct. 26, 2010**

(54) **MUG LID**

(76) **Inventor:** **Ji Baek**, 1824 S. 3rd St., #3, Alhambra,
CA (US) 91803

(**) **Term:** **14 Years**

(21) **Appl. No.:** **29/348,144**

(22) **Filed:** **Dec. 3, 2009**

(51) **LOC (9) Cl.** **07-01**

(52) **U.S. Cl.** **D7/396.2**

(58) **Field of Classification Search** D7/396.2,
D7/396.1, 387, 392.1, 511; D9/449, 455,
D9/440, 441, 439, 436, 443, 435, 445; D32/31;
62/457.3; 206/501, 511, 23.83; 215/387,
215/235, DIG. 7, 237, 200; 220/703, 592.16,
220/592.17, 254.9, 719, 797, 713, 717
See application file for complete search history.

(56) **References Cited**

U.S. PATENT DOCUMENTS

- 2,304,214 A * 12/1942 Straub 222/542
- 3,085,710 A * 4/1963 McIlroy 220/711
- D368,032 S * 3/1996 Couto D9/435
- D372,164 S * 7/1996 Ahern, Jr. D7/392.1
- 5,873,493 A * 2/1999 Robinson 222/109
- D453,446 S * 2/2002 Bodum D7/510
- D471,808 S * 3/2003 de Castro Couto D9/435
- 6,637,616 B2 * 10/2003 Couto 220/717
- D508,402 S * 8/2005 Hierzer et al. D9/449
- D527,219 S * 8/2006 Trombly D7/392.1
- D547,605 S * 7/2007 Edelstein et al. D7/392.1
- D548,008 S * 8/2007 Lin D7/511

- D562,065 S * 2/2008 Smaldone D7/396.2
- D564,841 S * 3/2008 Clemens et al. D7/510
- D581,211 S * 11/2008 Lapsker D7/396.2
- D581,271 S * 11/2008 Laupie D9/500
- D582,206 S * 12/2008 Fuller D7/392.1
- D589,751 S * 4/2009 Liu et al. D7/510
- D591,556 S * 5/2009 Fuller D7/396.2
- D598,712 S * 8/2009 Alviar et al. D7/510
- 2008/0272134 A1 * 11/2008 Rohe 220/713

* cited by examiner

Primary Examiner—Cynthia Underwood

(74) *Attorney, Agent, or Firm*—Clement Cheng

(57) **CLAIM**

The ornamental design for a mug lid, as shown and described.

DESCRIPTION

This application claims priority from co-pending design application for Mug Lid having Ser. No. 29/310,482 by same inventor Ji Baek.

FIG. 1 is a perspective view.

FIG. 2 is a right view.

FIG. 3 is a left view.

FIG. 4 is a front view.

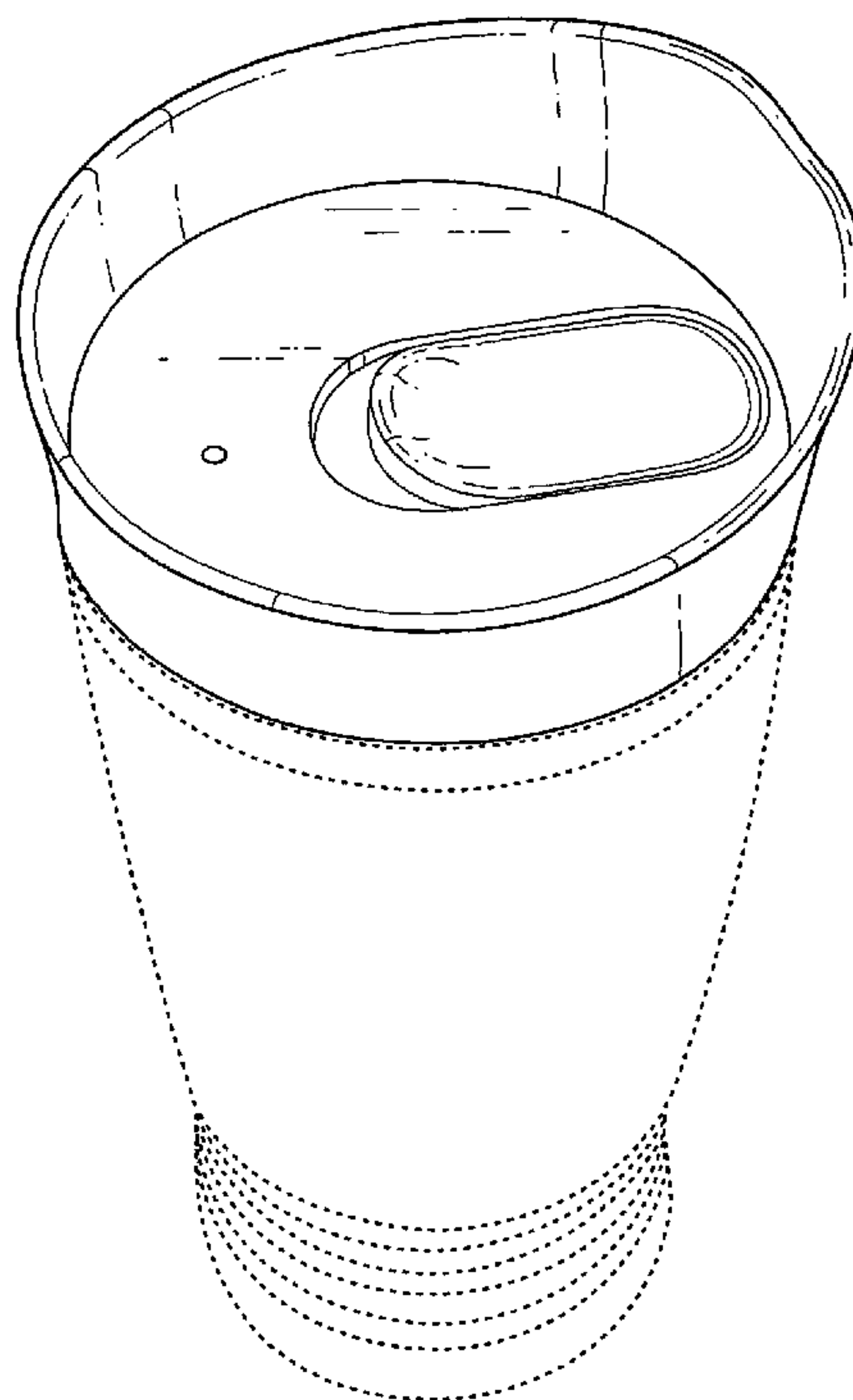
FIG. 5 is a rear view.

FIG. 6 is a bottom view; and,

FIG. 7 is a top view.

The broken lines represent portions of the structure that forms no part of the claim.

1 Claim, 6 Drawing Sheets



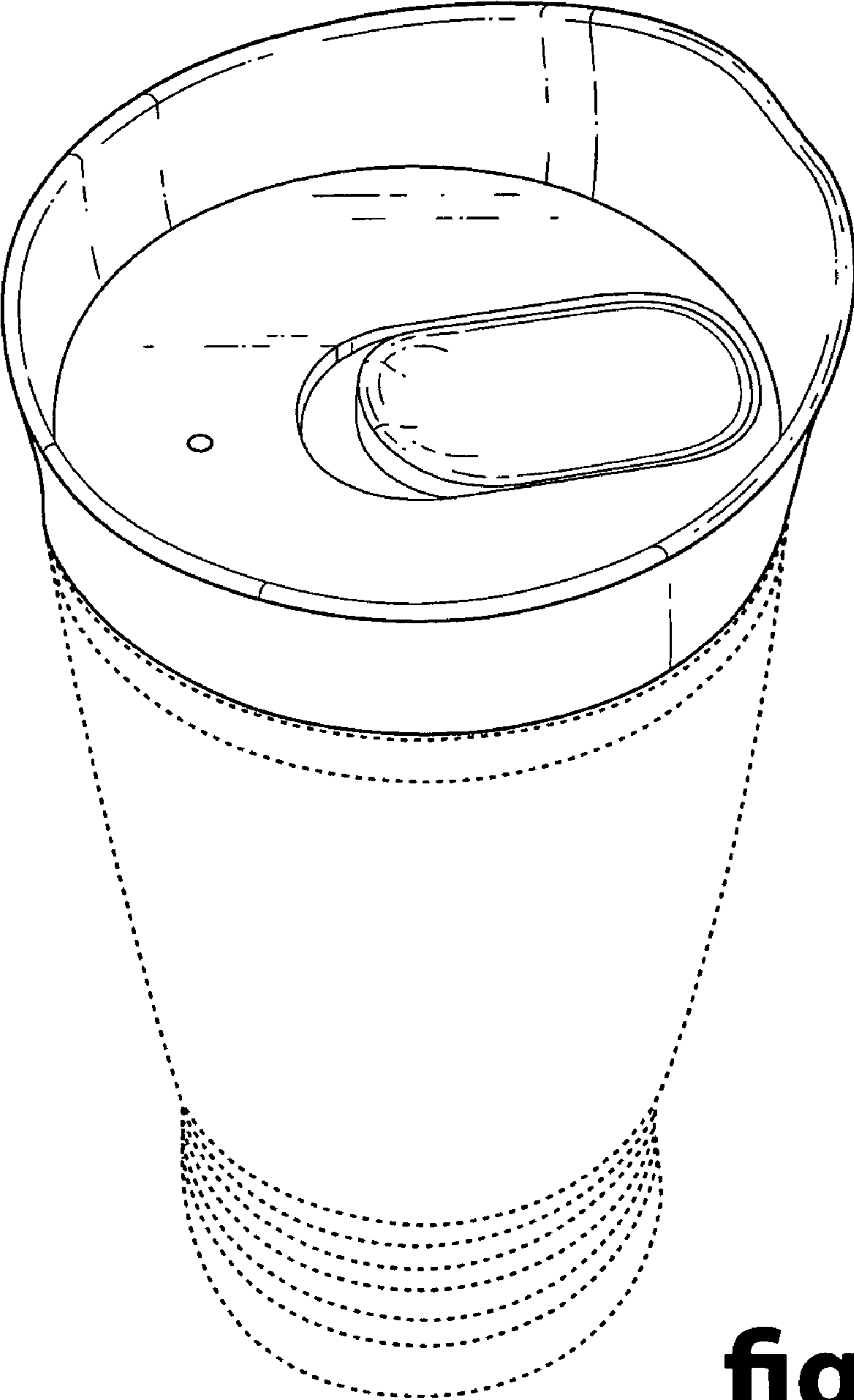


fig.1

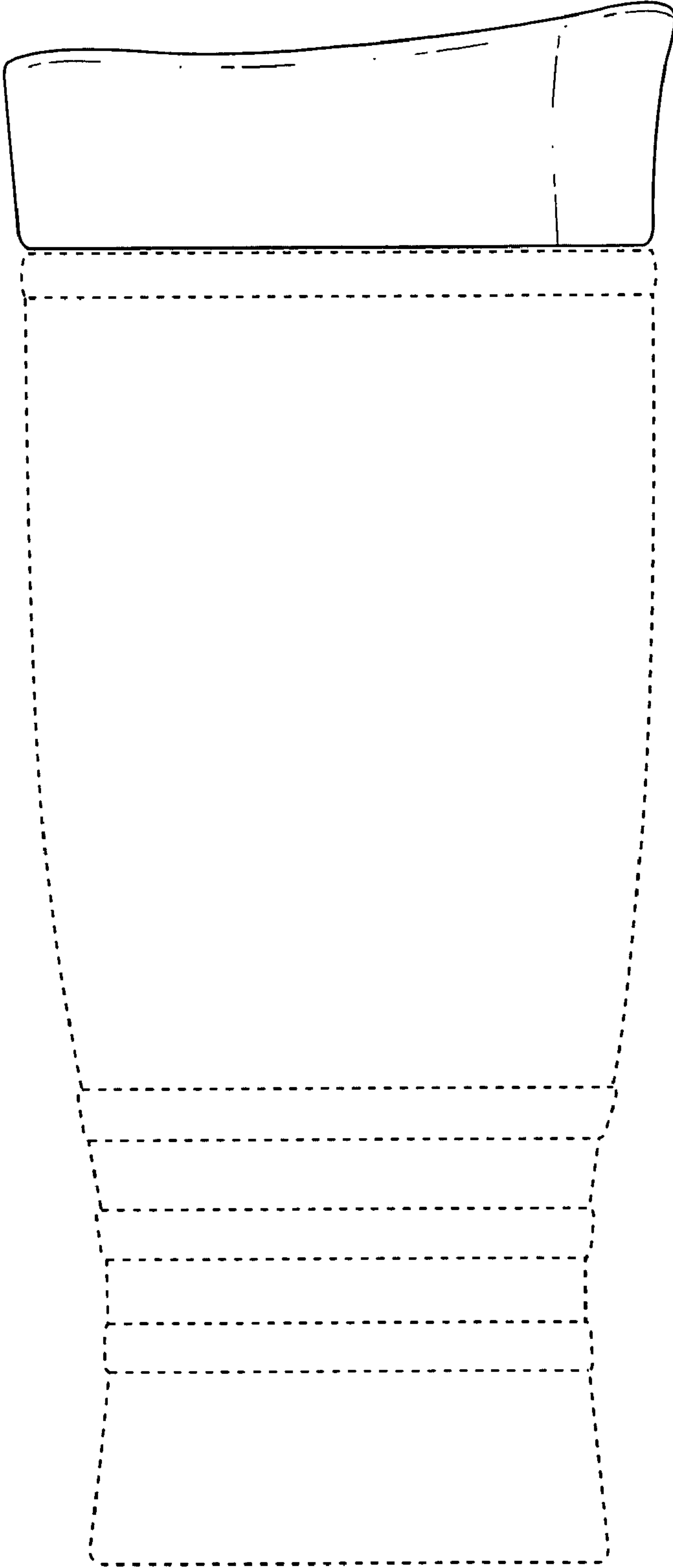


fig.2

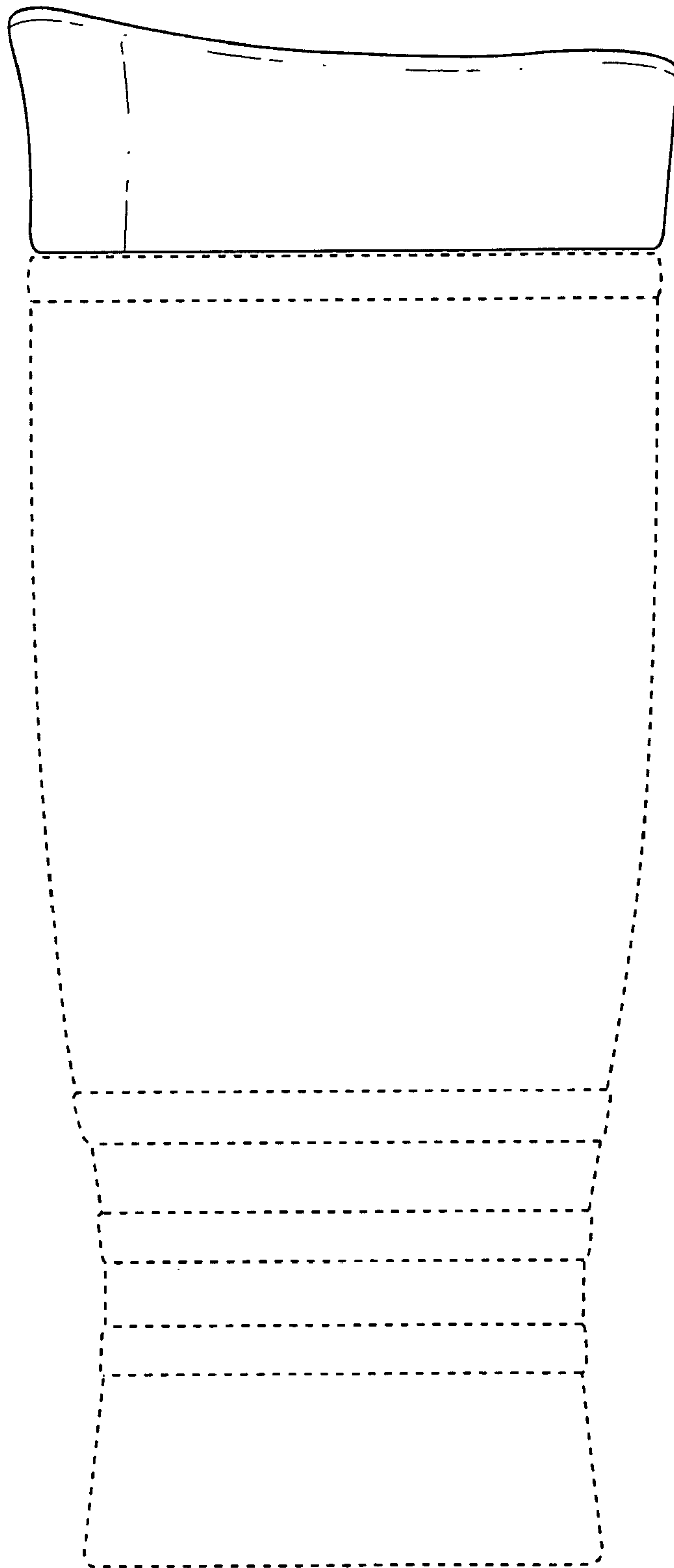


fig.3

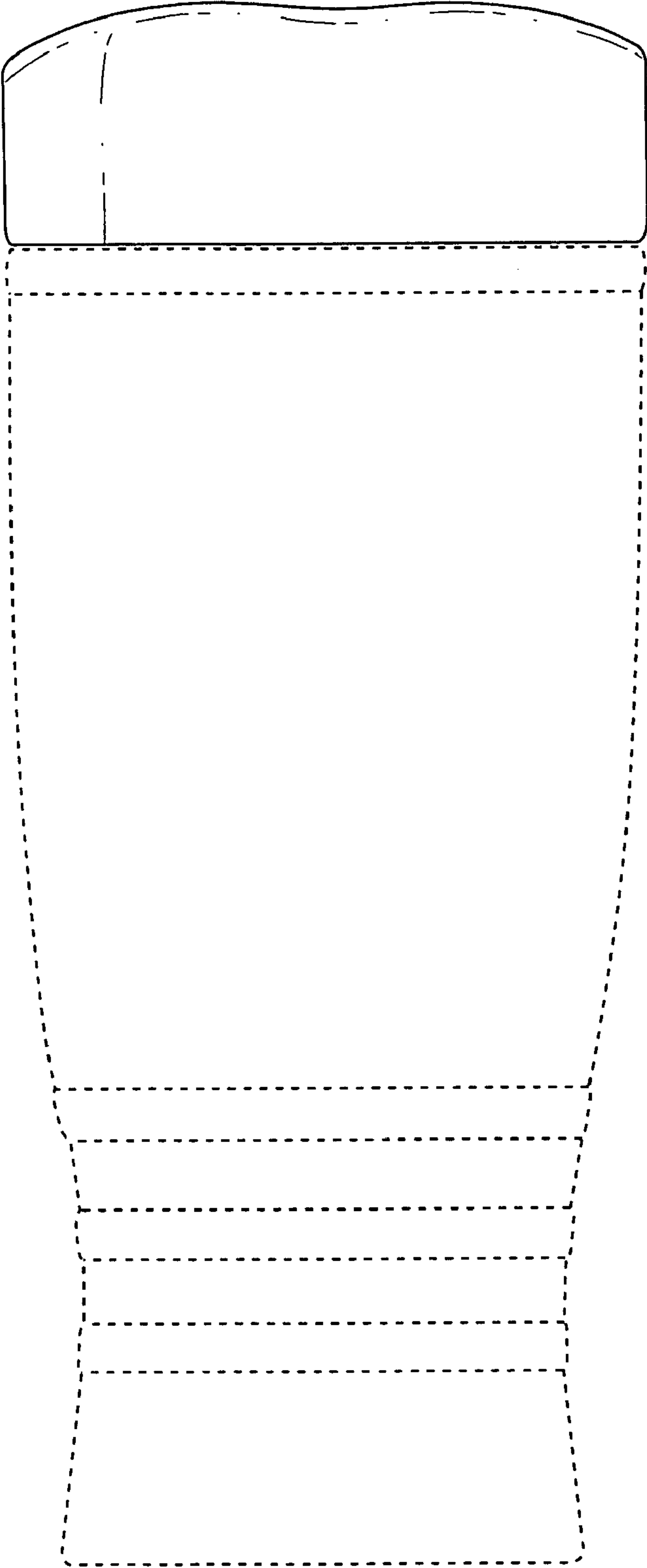


fig.4

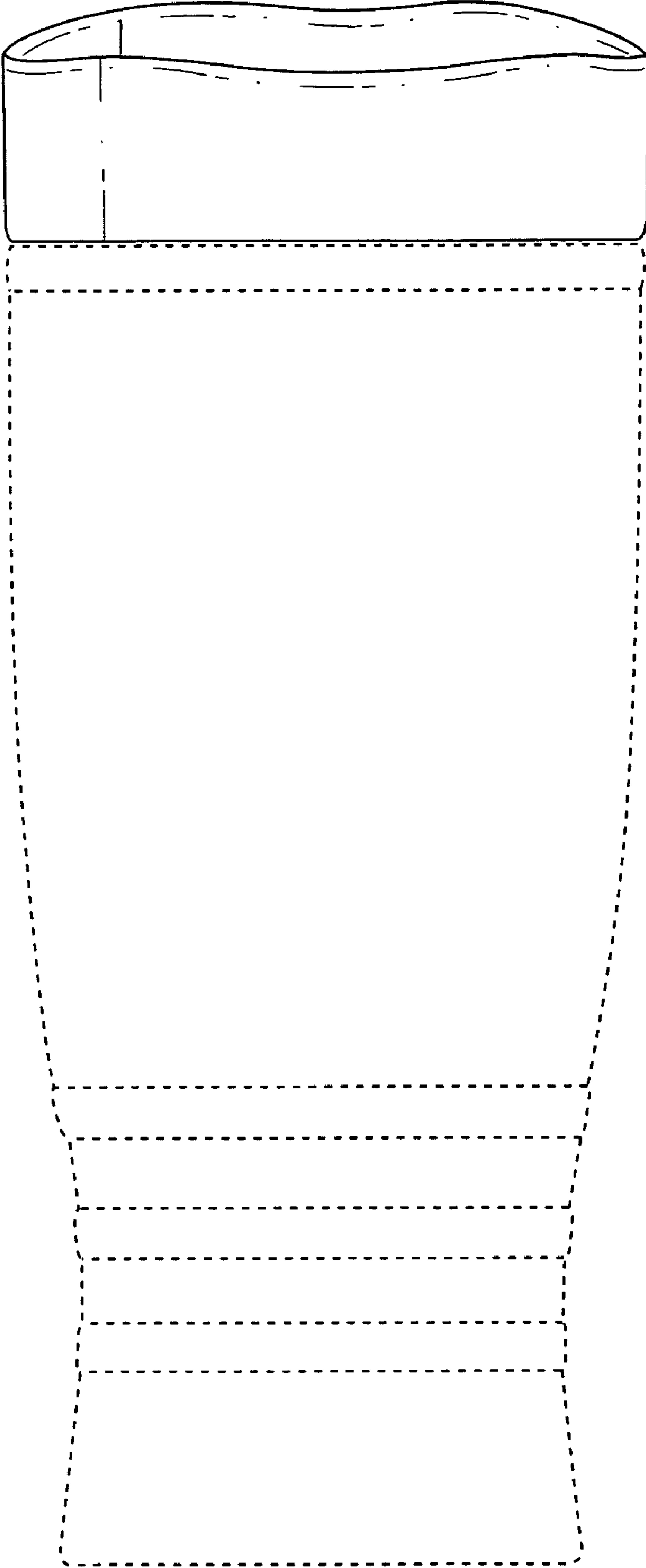


fig.5

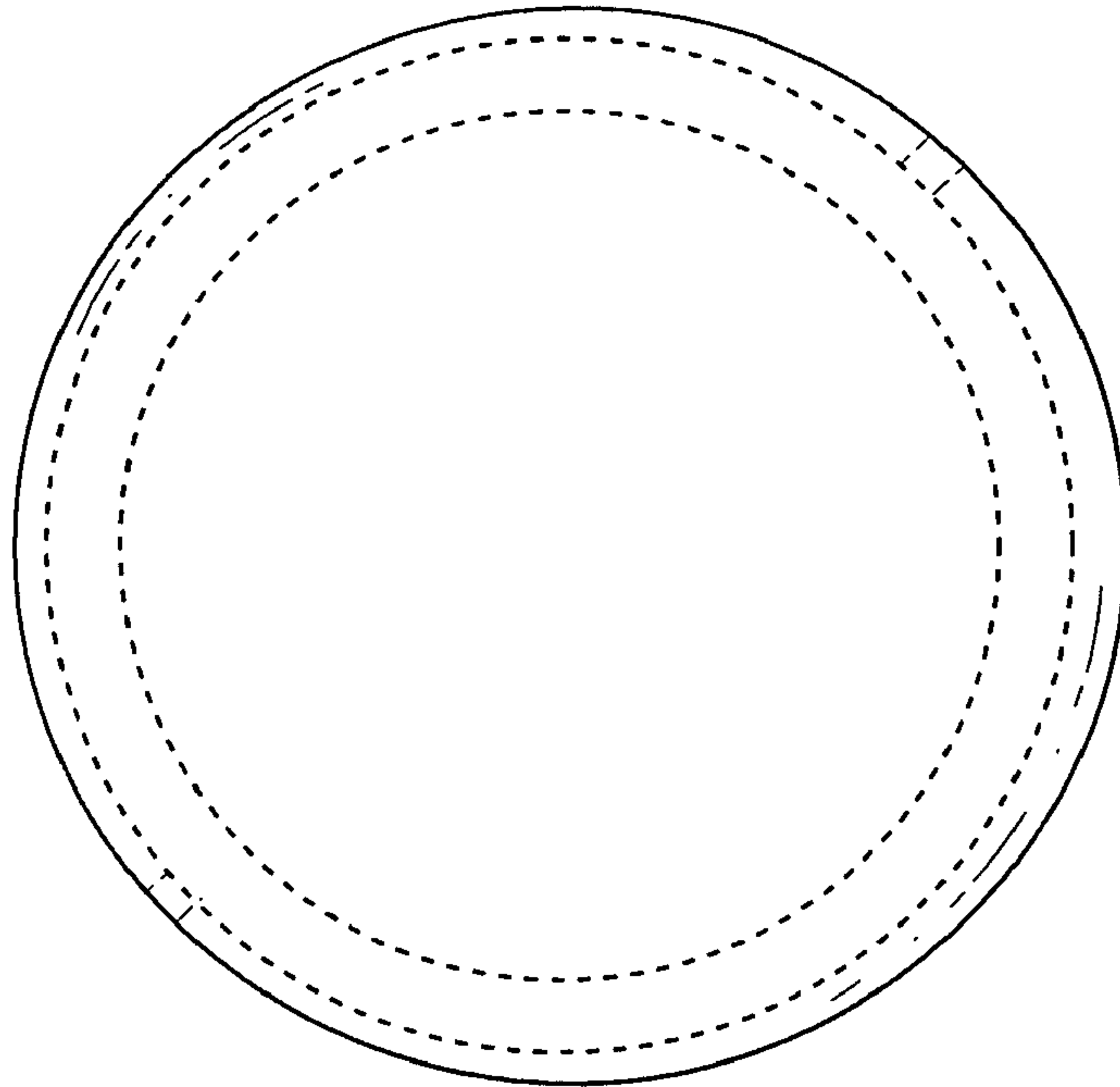


fig.6

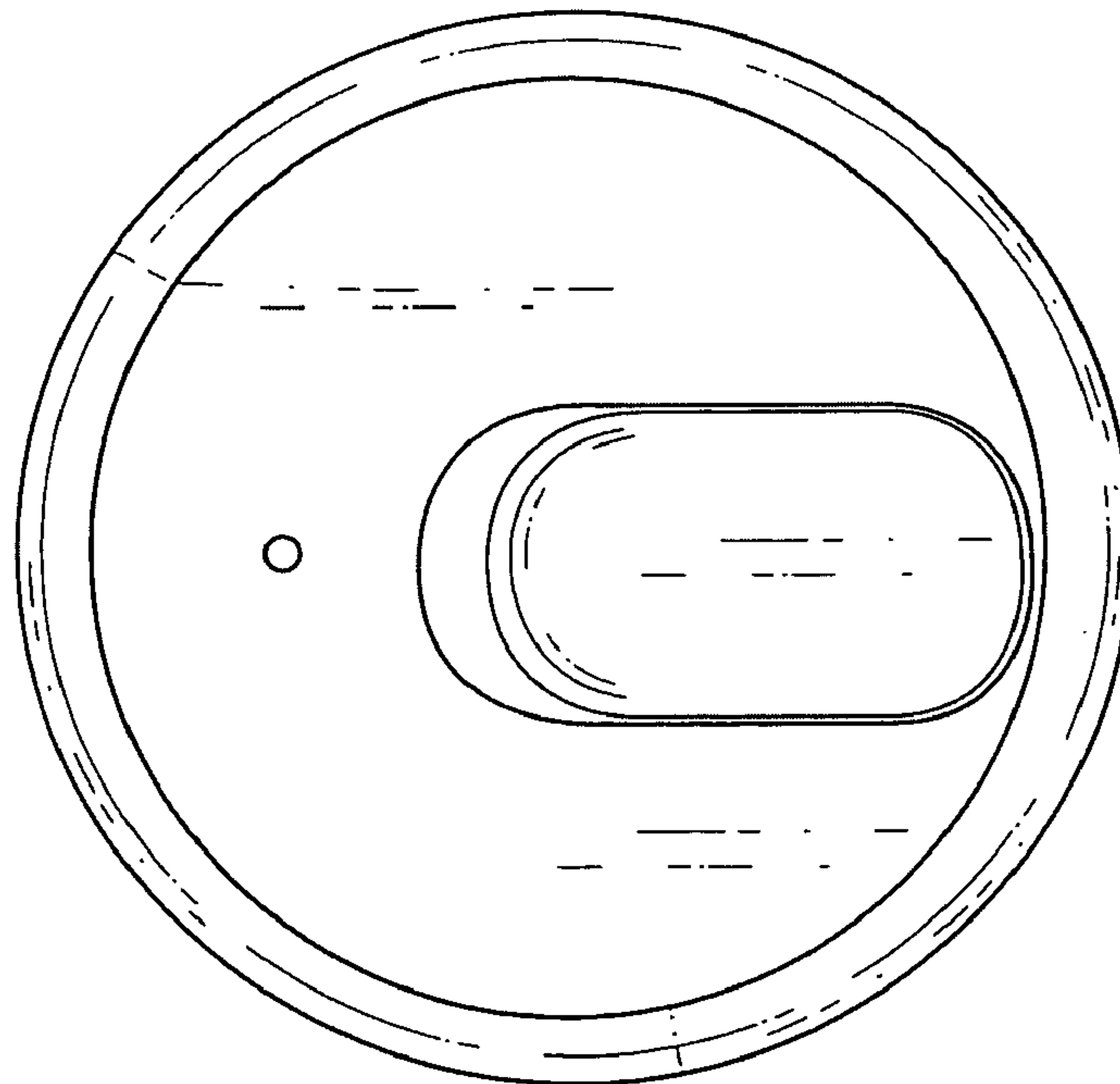


fig.7