



US00D625947S

(12) **United States Design Patent**  
**Olson et al.**

(10) **Patent No.:** **US D625,947 S**  
(45) **Date of Patent:** **\*\* Oct. 26, 2010**

(54) **WATER PITCHER**

(75) Inventors: **Judd D. Olson**, Deephaven, MN (US);  
**Sean C. McGreevy**, St. Paul, MN (US);  
**Kent E. Lageson**, Burnsville, MN (US);  
**Kevin E. Kinzer**, Forest Lake, MN  
(US); **Gretchen A. Hauble**, Dellwood,  
MN (US); **James M. Cooper**, St. Paul,  
MN (US); **Martin E. Broen**, Milan (IT);  
**Federico Ferretti**, Cesena (IT);  
**Emanuele Teobaldo**, Rome (IT)

(73) Assignee: **3M Innovative Properties Company**,  
St. Paul, MN (US)

(\*\*) Term: **14 Years**

(21) Appl. No.: **29/344,701**

(22) Filed: **Oct. 2, 2009**

(51) **LOC (9) Cl.** ..... **07-01**

(52) **U.S. Cl.** ..... **D7/319; D7/317**

(58) **Field of Classification Search** ..... D7/319,  
D7/318, 317, 600, 598; 99/281; 222/465.1;  
D23/209, 207

See application file for complete search history.

(56) **References Cited**

**U.S. PATENT DOCUMENTS**

D166,774 S \* 5/1952 Russell ..... D7/317  
D216,216 S \* 12/1969 Kriegel ..... D7/317  
D223,171 S \* 3/1972 Madl ..... D7/317  
3,861,565 A \* 1/1975 Rickmeier, Jr. .... 222/131  
D252,068 S \* 6/1979 Lovely ..... D7/668  
D252,604 S \* 8/1979 Harris ..... D7/317

D270,602 S \* 9/1983 Fritz ..... D7/319  
4,655,373 A \* 4/1987 Essen ..... 222/465.1  
5,388,729 A \* 2/1995 Geringer ..... 222/130  
D383,351 S \* 9/1997 DeMore ..... D7/319  
D416,163 S \* 11/1999 Doritty et al. .... D7/319  
D441,247 S \* 5/2001 Beam ..... D7/305  
D498,638 S \* 11/2004 Morrison ..... D7/319  
D551,015 S \* 9/2007 Huang ..... D7/318  
D583,612 S \* 12/2008 Wu et al. .... D7/317  
D584,912 S \* 1/2009 Green et al. .... D7/318  
D586,605 S \* 2/2009 Ma et al. .... D7/317  
D586,606 S \* 2/2009 Ma et al. .... D7/319  
D587,512 S \* 3/2009 Dorney et al. .... D7/318  
D604,088 S \* 11/2009 Bursztein ..... D7/319

\* cited by examiner

*Primary Examiner*—Marianne Pandozzi

(74) *Attorney, Agent, or Firm*—David B. Patchett

(57) **CLAIM**

The ornamental design for a water pitcher, as shown and described.

**DESCRIPTION**

FIG. 1 is a perspective view of a water pitcher showing the new design;

FIG. 2 is a left side view thereof, the right side view being a mirror image of the left side view shown;

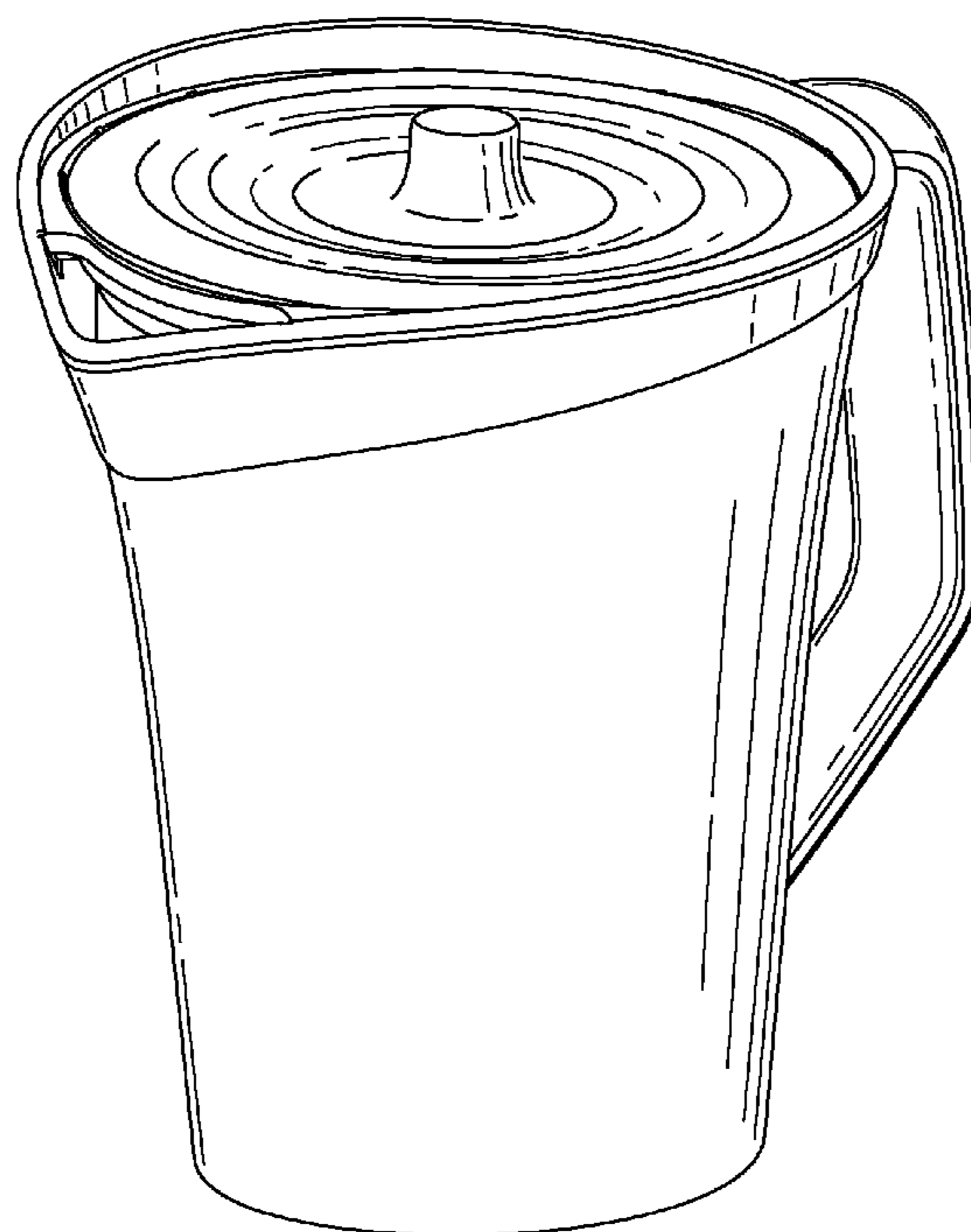
FIG. 3 is a front view thereof;

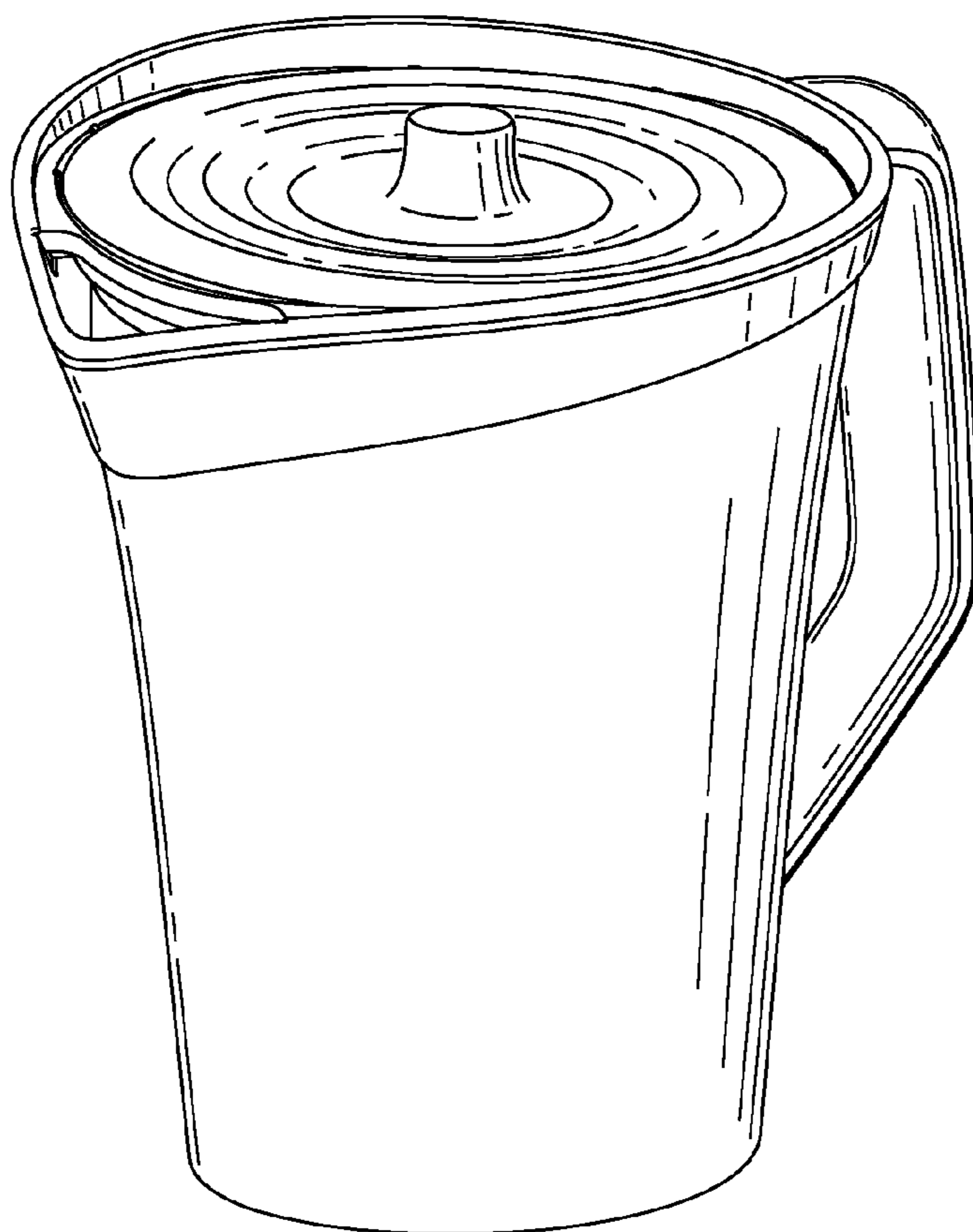
FIG. 4 is a back view thereof;

FIG. 5 is a top view thereof; and,

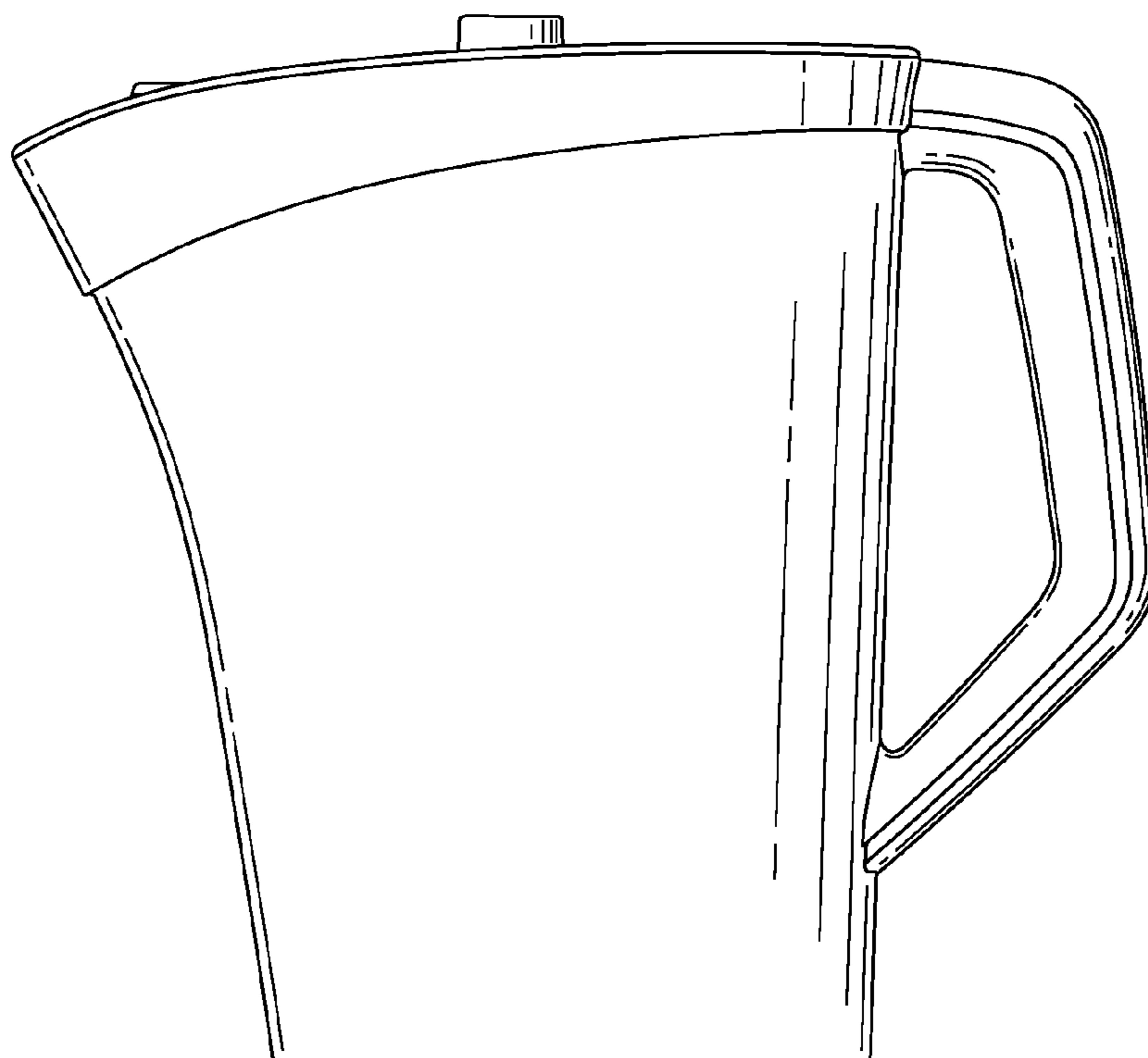
FIG. 6 is a bottom view thereof.

**1 Claim, 3 Drawing Sheets**

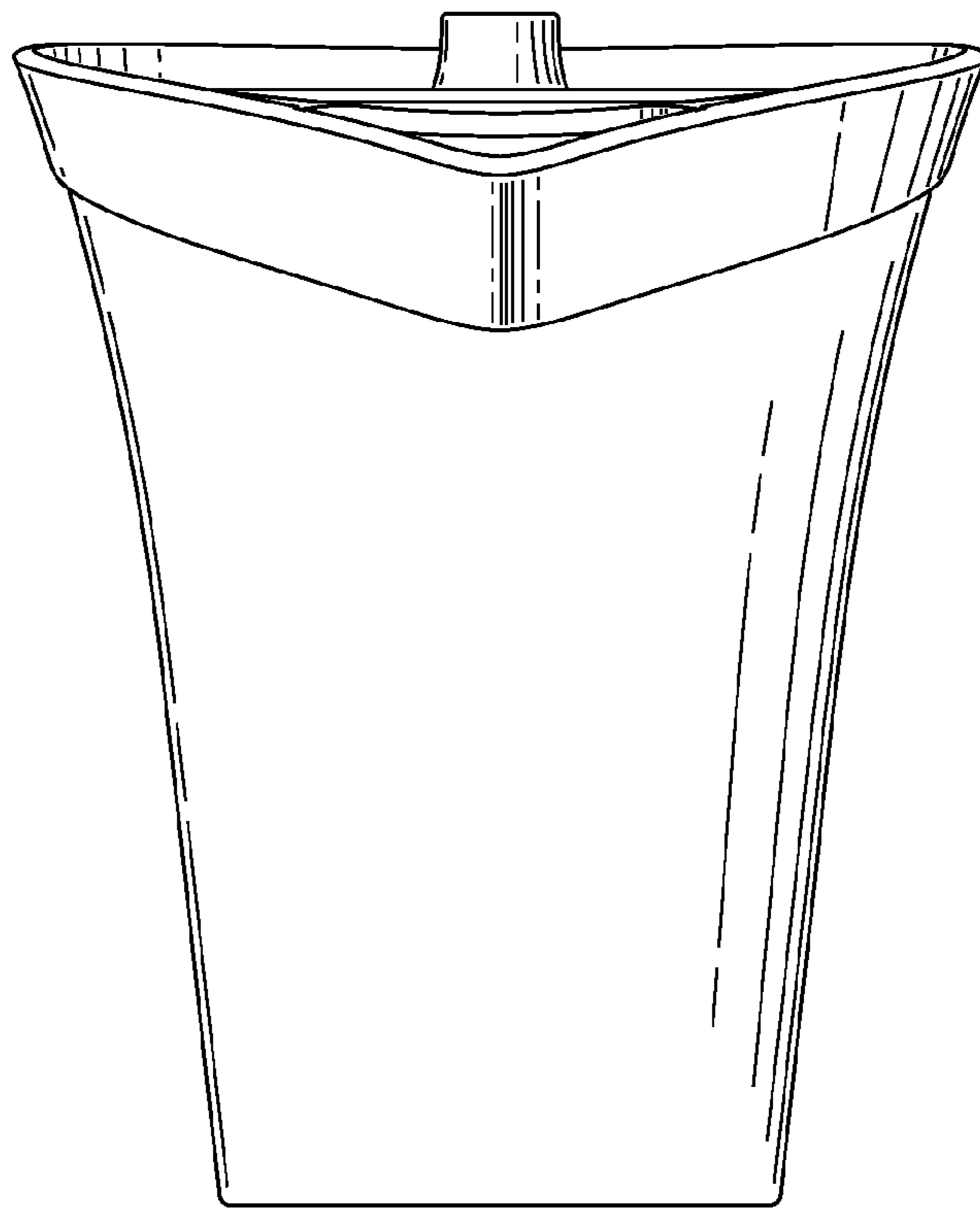




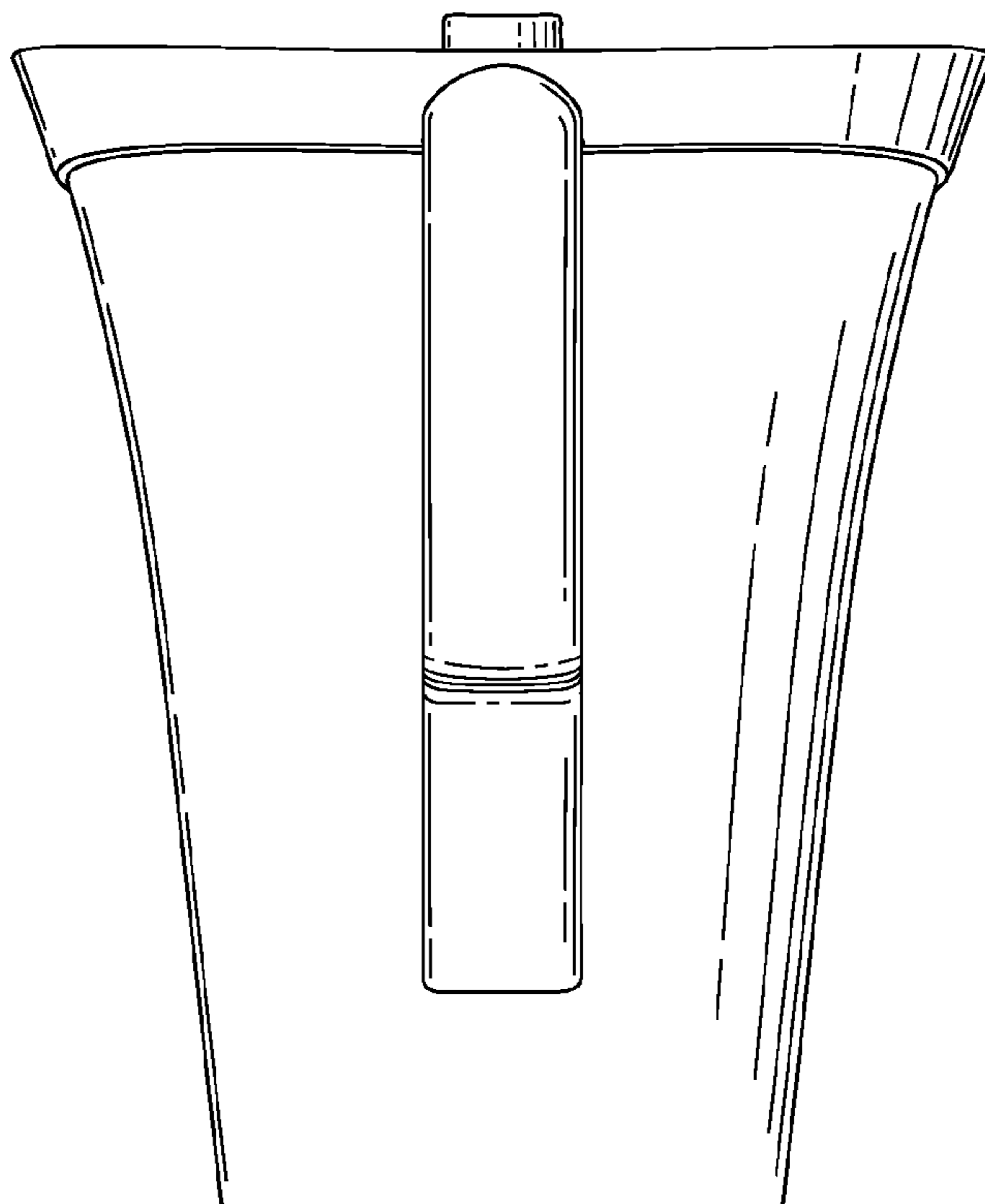
*Fig. 1*



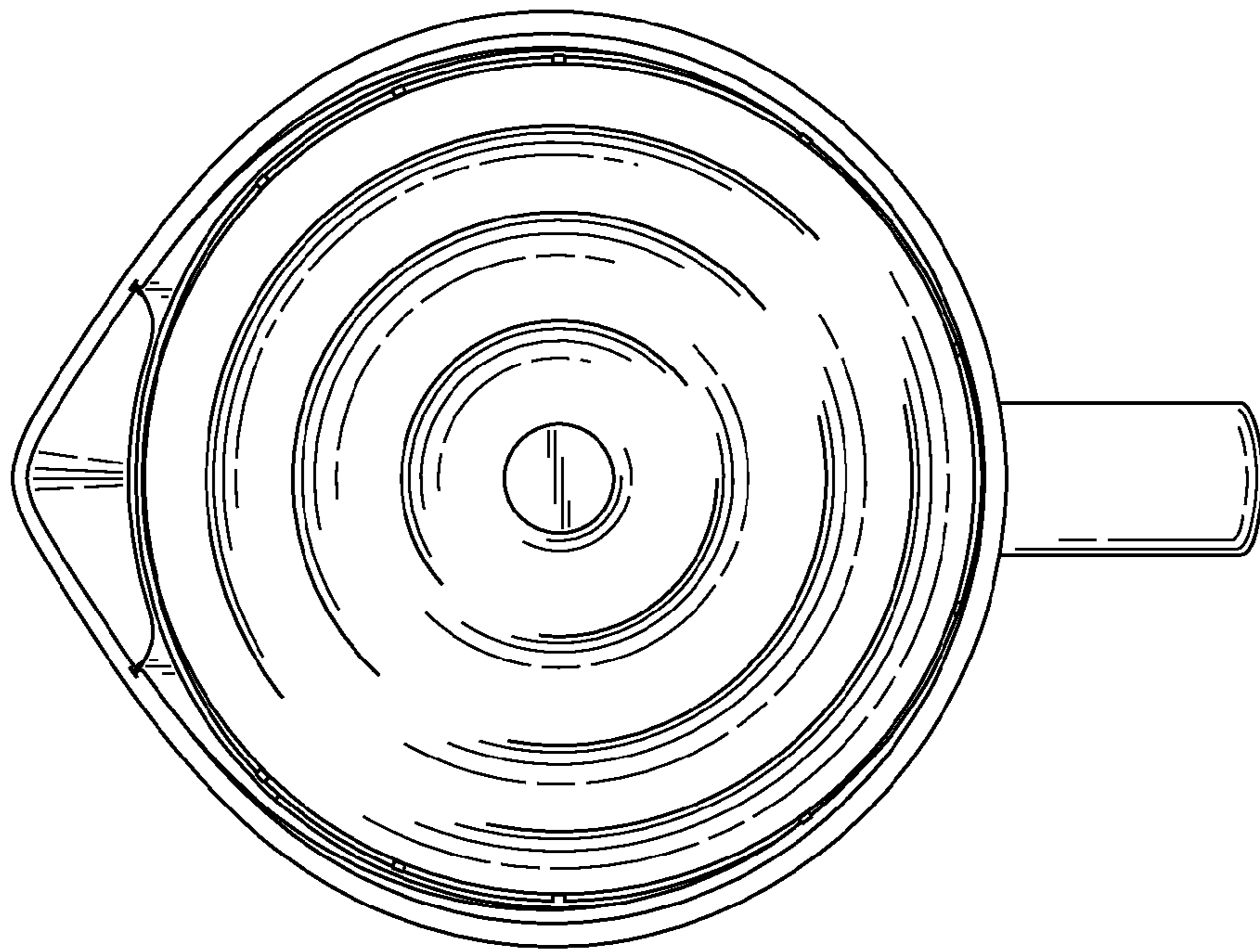
*Fig. 2*



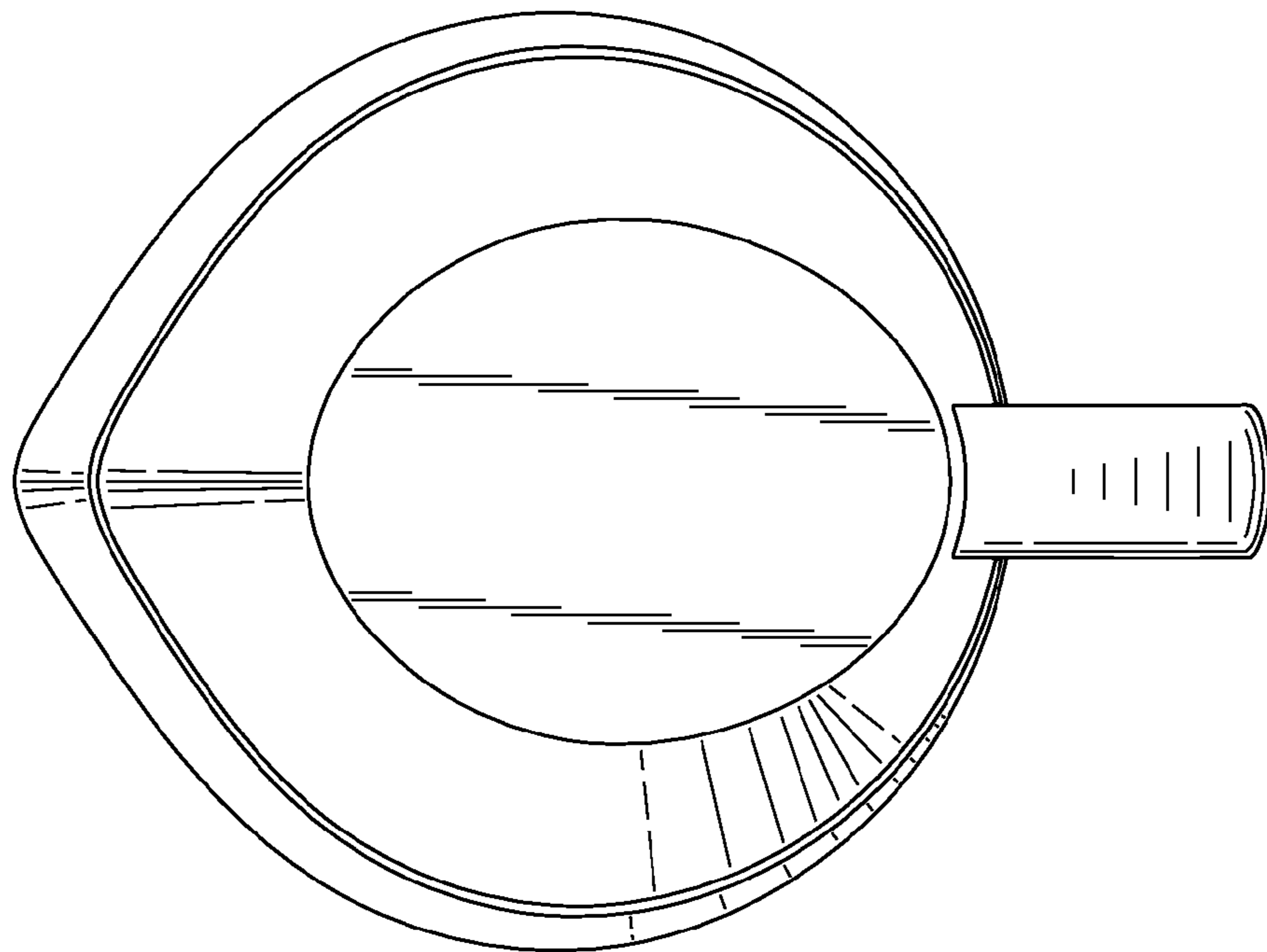
*Fig. 3*



*Fig. 4*



*Fig. 5*



*Fig. 6*