



US00D625946S

(12) **United States Design Patent**
Moore

(10) **Patent No.:** **US D625,946 S**

(45) **Date of Patent:** **** Oct. 26, 2010**

(54) **STORAGE TRAY FOR MULTIMEDIA ITEMS**

(75) Inventor: **Ryan Christopher Moore**, Seattle, WA (US)

(73) Assignee: **Slam Brands, Inc.**, Redmond, WA (US)

(**) Term: **14 Years**

(21) Appl. No.: **29/363,621**

(22) Filed: **Jun. 11, 2010**

(51) **LOC (9) Cl.** **06-04**

(52) **U.S. Cl.** **D6/629**

(58) **Field of Classification Search** D6/407,
D6/510, 465, 457, 467, 464, 449, 396-397,
D6/491, 629, 475; D19/75, 77, 91-92, 95,
D19/99-100; 206/373, 562-563, 514, 371;
211/69.1, 69.9, 10-11, 13.1, 40, 41.12; D3/304
See application file for complete search history.

(56) **References Cited**

U.S. PATENT DOCUMENTS

D308,699 S *	6/1990	Ancona et al.	D19/75
D328,099 S *	7/1992	Williams	D19/75
D330,219 S *	10/1992	Carlson et al.	D19/77
D354,310 S *	1/1995	Crist et al.	D19/75
D404,603 S *	1/1999	Smith	D6/629
D404,956 S *	2/1999	Cheris et al.	D6/629
D414,808 S *	10/1999	Hunt	D19/75
D422,141 S *	4/2000	Dembicks	D3/313
D439,113 S *	3/2001	Claffy et al.	D7/553.1
D492,484 S *	7/2004	Lin	D3/260
D503,574 S *	4/2005	Yao	D6/510
D513,124 S *	12/2005	Funk	D3/313
D525,308 S *	7/2006	Lara	D19/92
D538,537 S *	3/2007	Osborn	D3/313
D554,900 S *	11/2007	Hussaini et al.	D6/467

D579,698 S *	11/2008	Nielsen	D6/510
D581,186 S *	11/2008	Nielsen	D6/457
D583,599 S *	12/2008	Nielsen	D6/510
D584,083 S *	1/2009	Nielsen	D6/510
D585,683 S *	2/2009	Nielsen	D6/510
D586,596 S *	2/2009	Nielsen	D6/510
D596,886 S *	7/2009	Nielsen	D6/510
D604,072 S *	11/2009	Nielsen	D6/510
2003/0006156 A1 *	1/2003	McCracken et al.	206/373

* cited by examiner

Primary Examiner—Elizabeth A Albert

Assistant Examiner—Kelley A Donnelly

(74) *Attorney, Agent, or Firm*—Turocy & Watson, LLP

(57) **CLAIM**

An ornamental design for the storage tray for multimedia items, as shown and described.

DESCRIPTION

FIG. 1 is a first perspective view of a design for the storage tray for multimedia items;

FIG. 2 is a second perspective view of the design therefor;

FIG. 3 is a top plan view of the design therefor;

FIG. 4 is a bottom plan view of the design therefor;

FIG. 5 is a first side view of the design therefor;

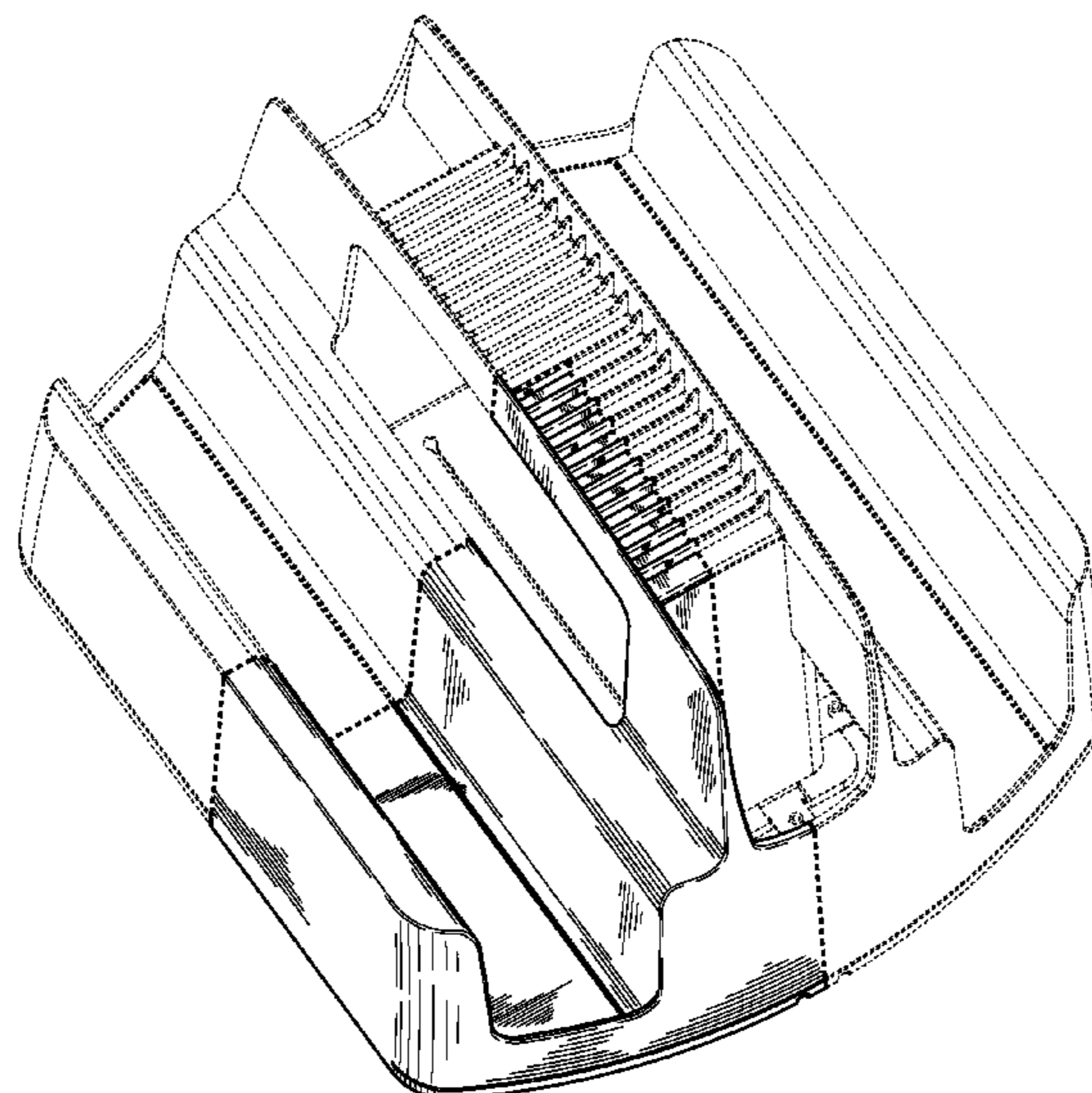
FIG. 6 is a second side view of the design therefor, opposite the first side view;

FIG. 7 is a third side view of the design therefor; and,

FIG. 8 is a fourth side view of the design therefor, opposite the third side view.

The dashed lines in the drawings are shown for environmental purposes and form no part of the claimed design.

1 Claim, 8 Drawing Sheets



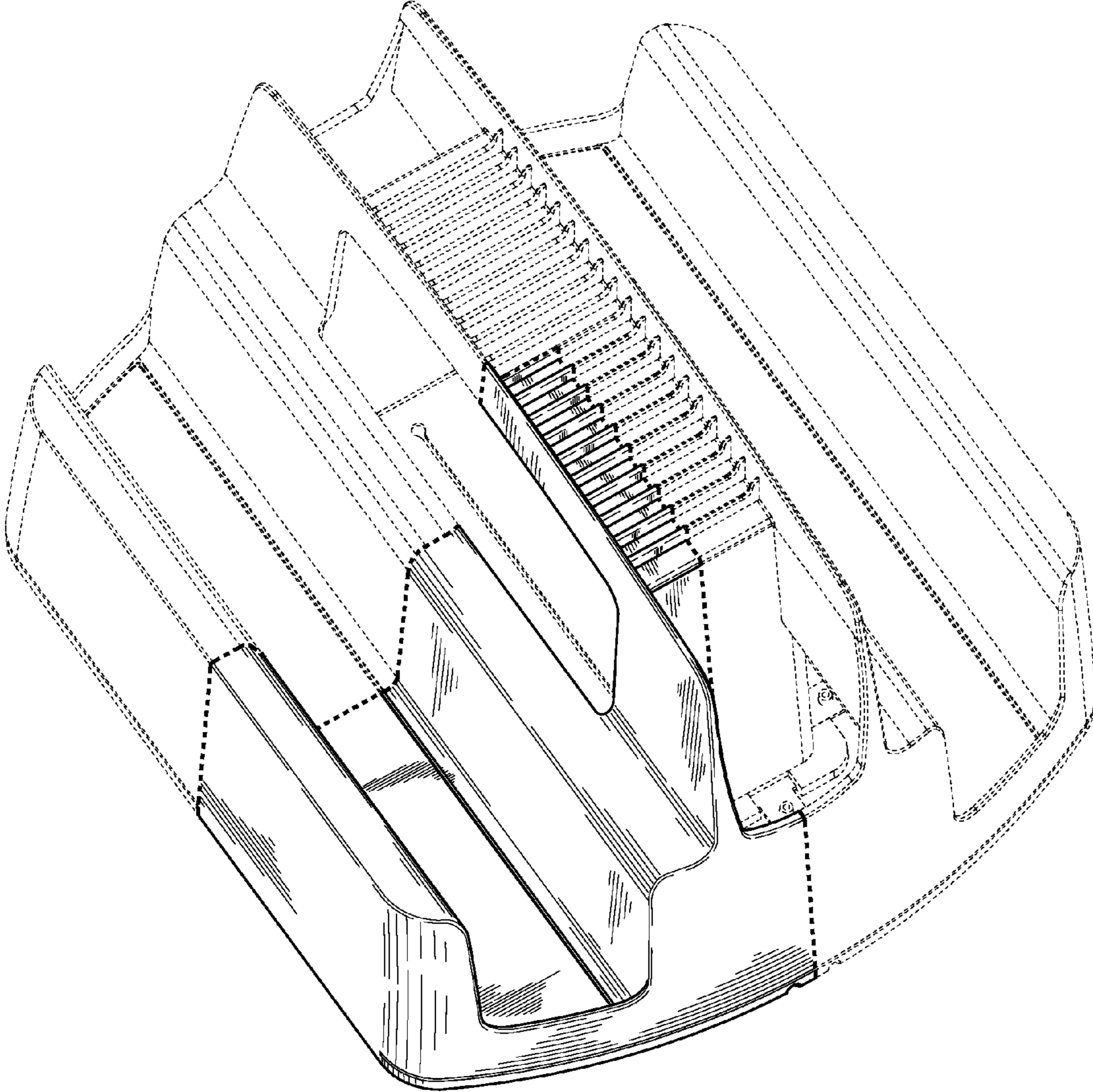


Fig. 1

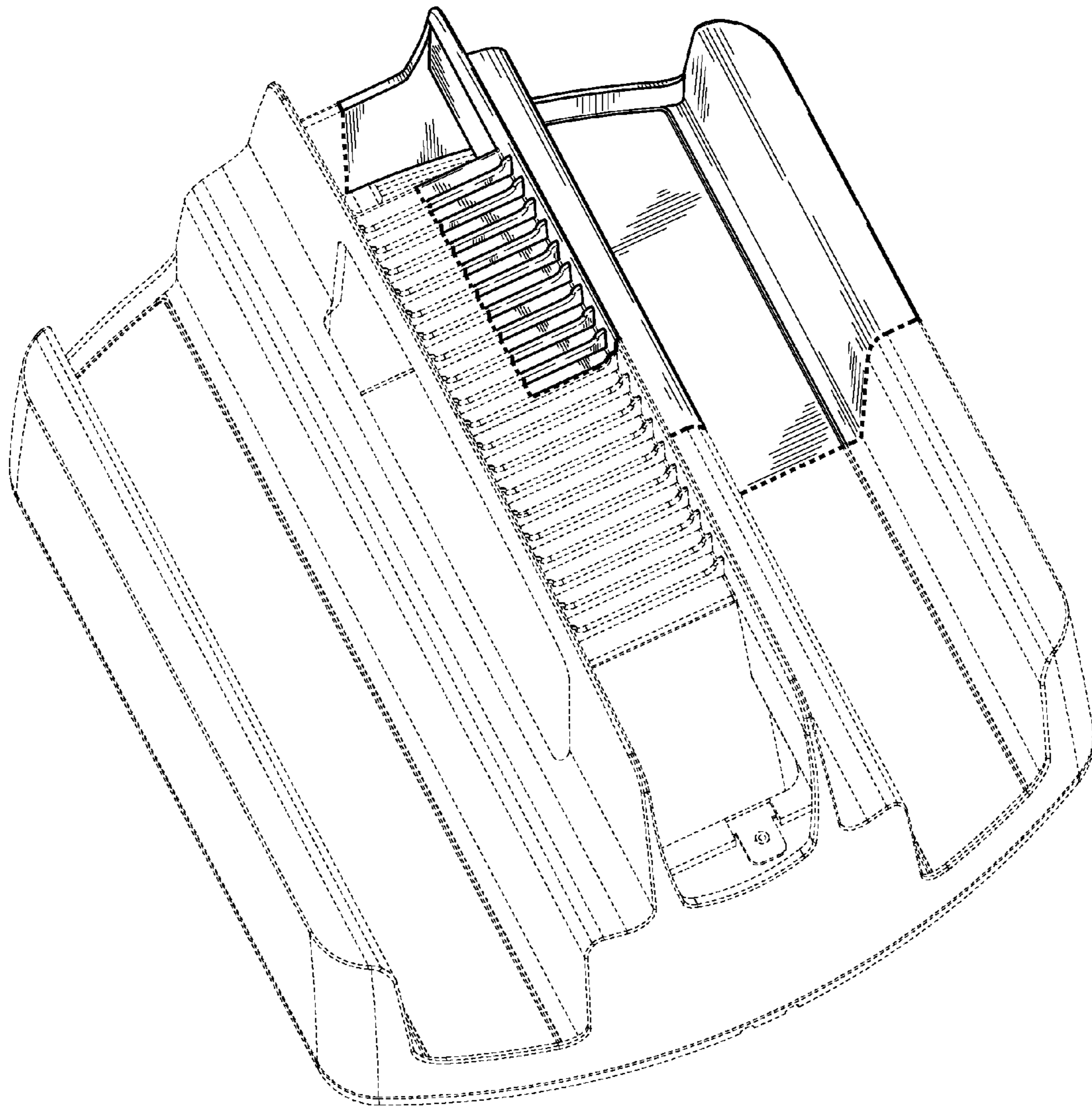


Fig. 2

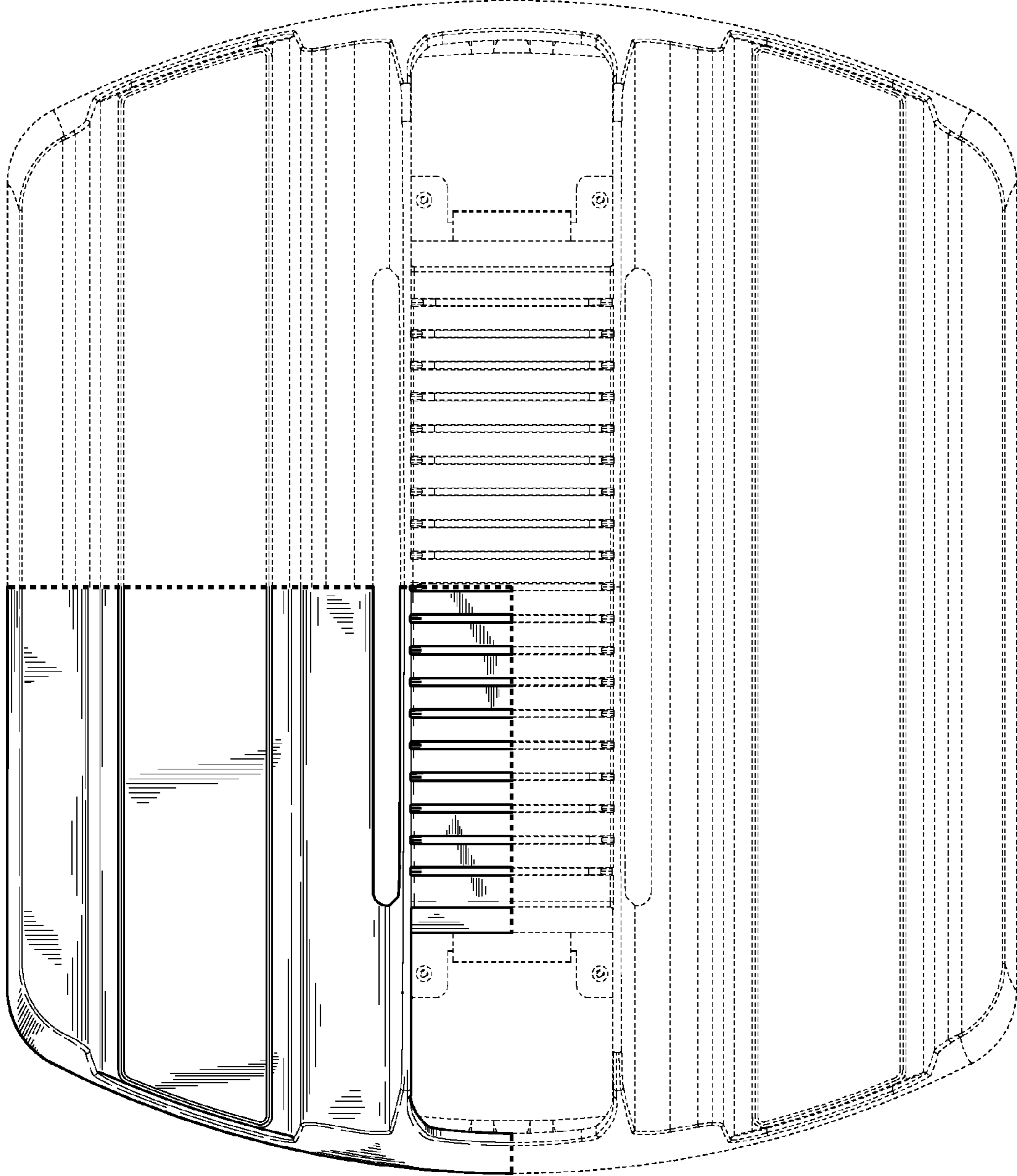


Fig. 3

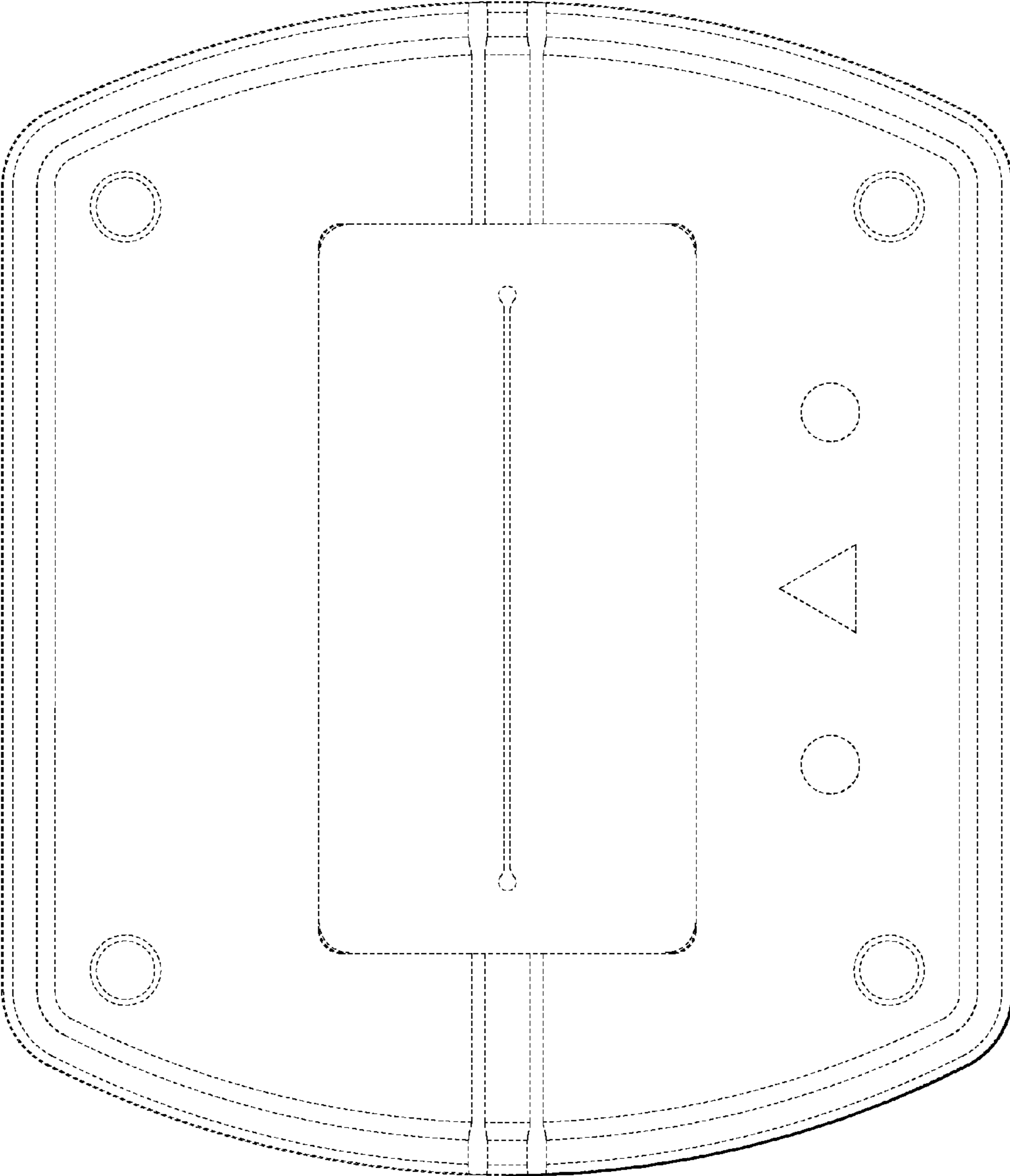


Fig. 4

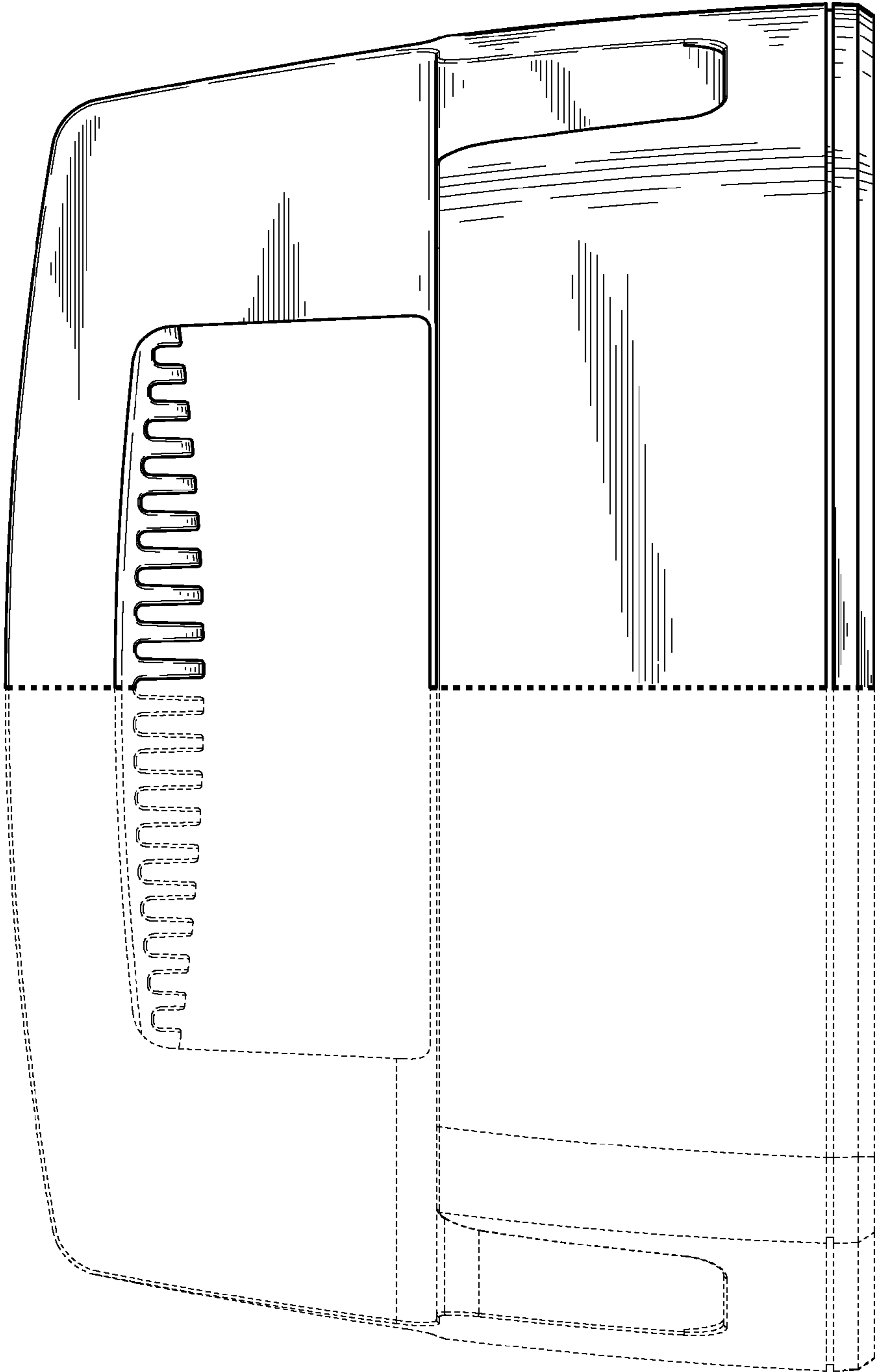


Fig. 5

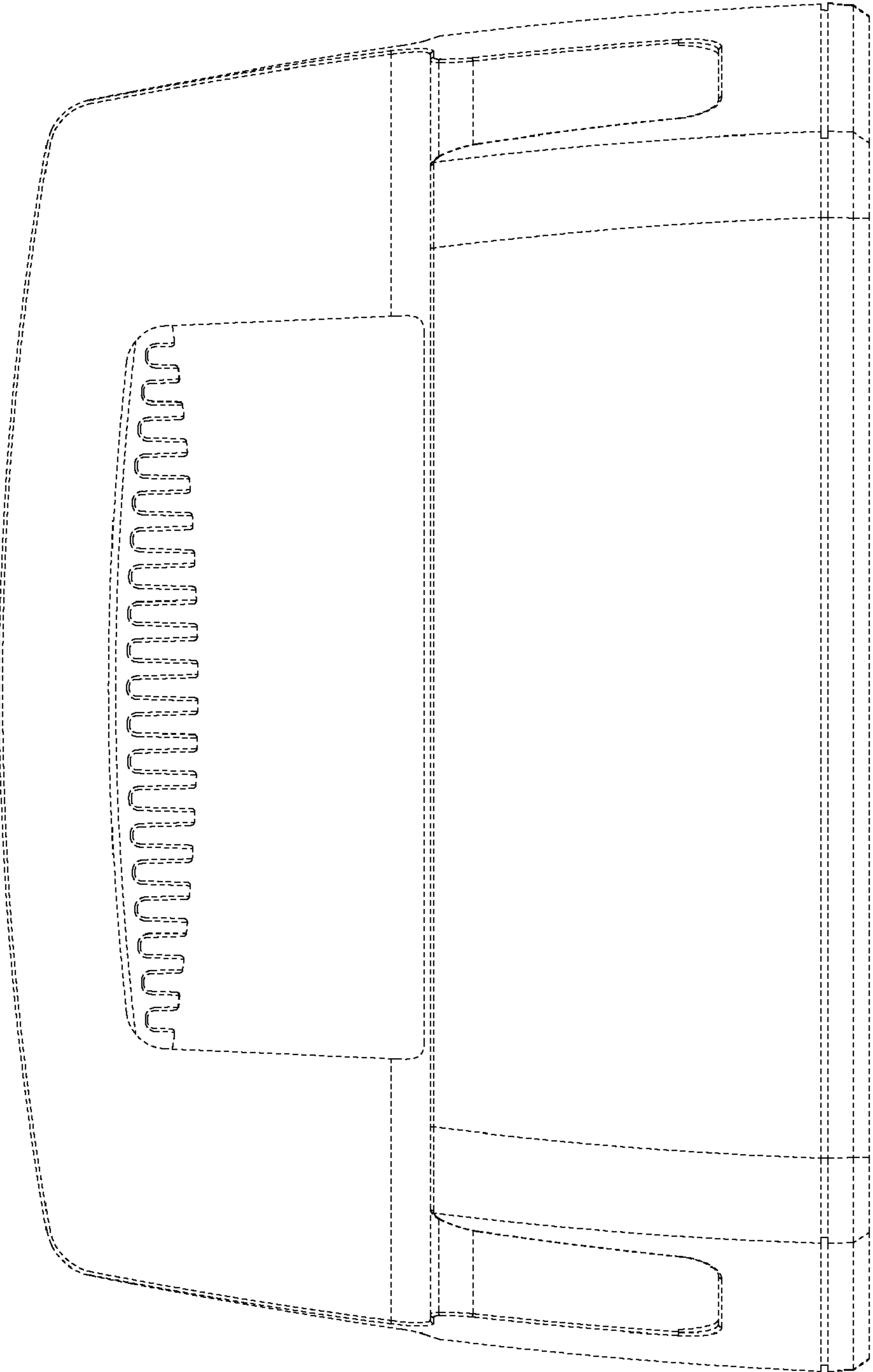


Fig. 6

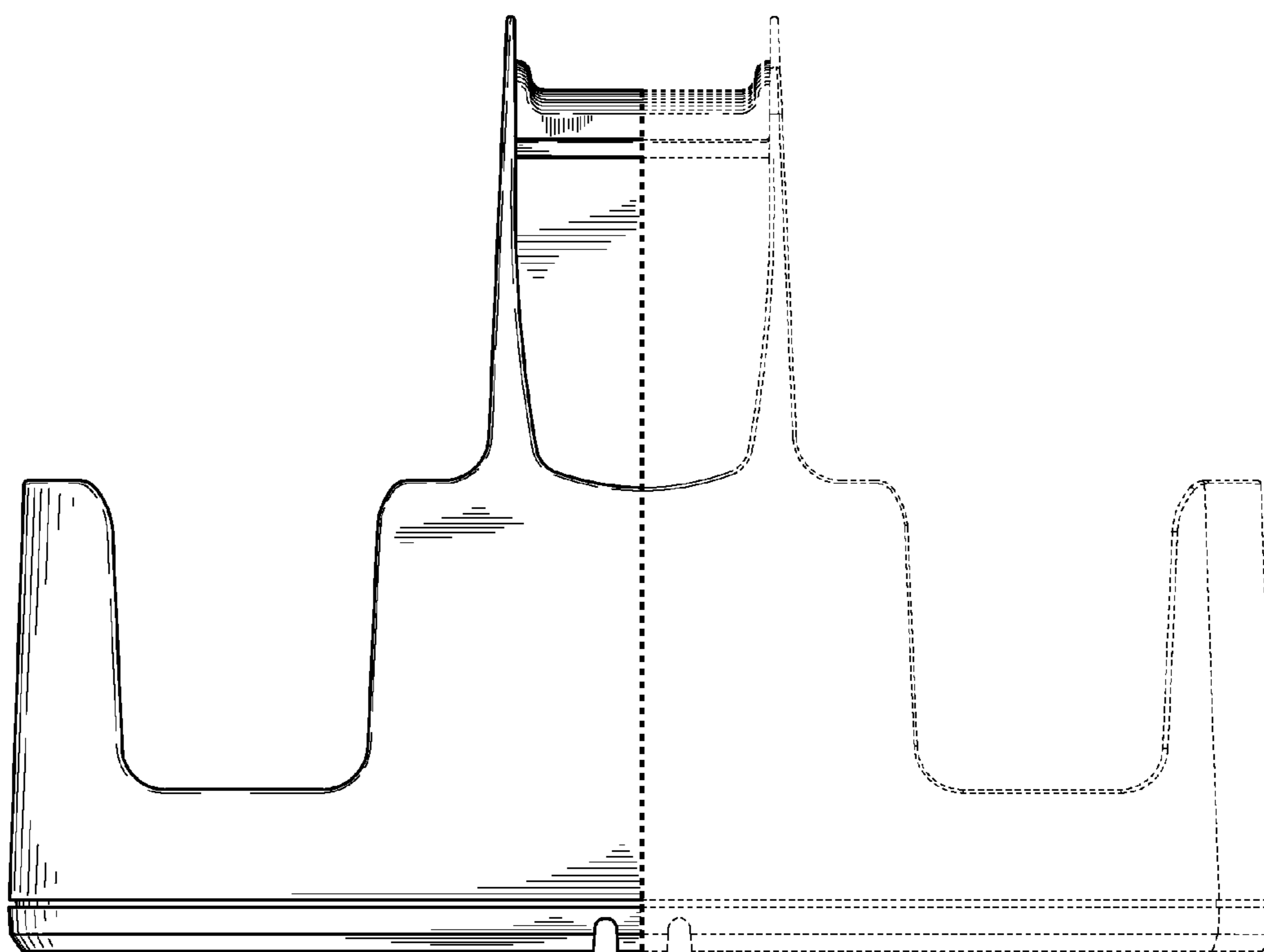


Fig. 7

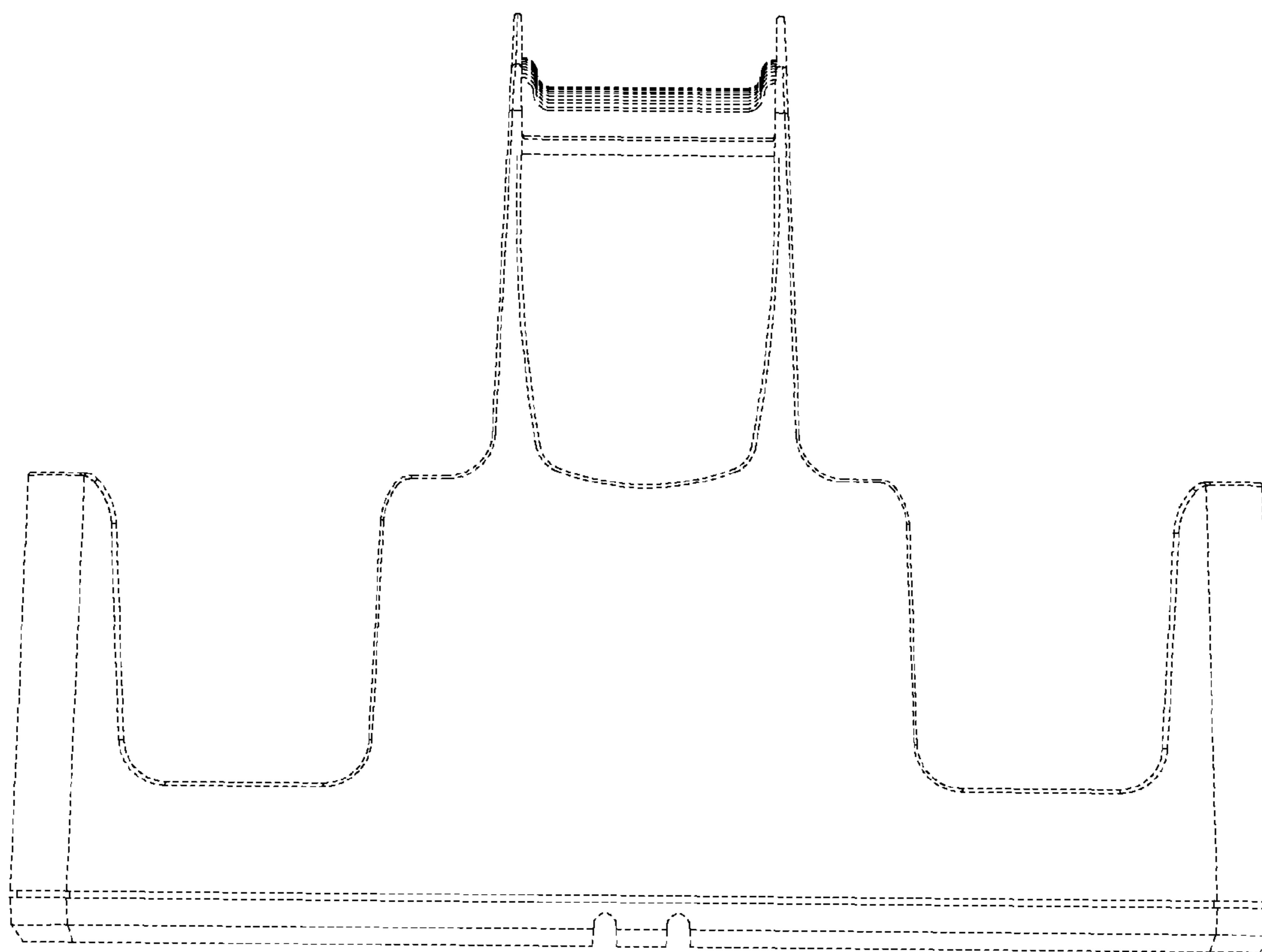


Fig. 8