



US00D625944S

(12) **United States Design Patent**  
**Yang et al.**

(10) **Patent No.:** **US D625,944 S**  
(45) **Date of Patent:** **\*\* Oct. 26, 2010**

(54) **SOAP PUMP**

(75) Inventors: **Frank Yang**, Rancho Palos Verdes, CA (US); **Tzu-Hao Wei**, Hacienda Heights, CA (US); **Helen L. Tang**, Rowland Heights, CA (US); **Myk Lum**, Irvine, CA (US)

(73) Assignee: **simplehuman, LLC**, Torrance, CA (US)

(\*\*) Term: **14 Years**

(21) Appl. No.: **29/334,148**

(22) Filed: **Mar. 20, 2009**

(51) **LOC (9) Cl.** ..... **23-02**

(52) **U.S. Cl.** ..... **D6/542**

(58) **Field of Classification Search** ..... D6/542-545;  
221/281-282; 222/14, 173, 146.3, 628, 251,  
222/181.1, 181.3; D9/682, 688, 690, 691,  
D9/448, 449

See application file for complete search history.

(56) **References Cited**

**U.S. PATENT DOCUMENTS**

D477,990 S \* 8/2003 Dretzka ..... D6/542  
D477,991 S \* 8/2003 Dretzka ..... D6/542  
D484,401 S \* 12/2003 Dretzka ..... D6/542

D530,954 S \* 10/2006 Snell ..... D6/542  
D537,360 S \* 2/2007 Snell ..... D6/542  
D537,361 S \* 2/2007 Dretzka ..... D6/542  
D538,177 S \* 3/2007 Dretzka ..... D6/542  
D551,087 S \* 9/2007 Snell ..... D6/542  
D554,410 S \* 11/2007 Snell ..... D6/542  
D581,193 S \* 11/2008 Ghiorghie ..... D6/542

\* cited by examiner

*Primary Examiner*—Brian N Vinson

(57) **CLAIM**

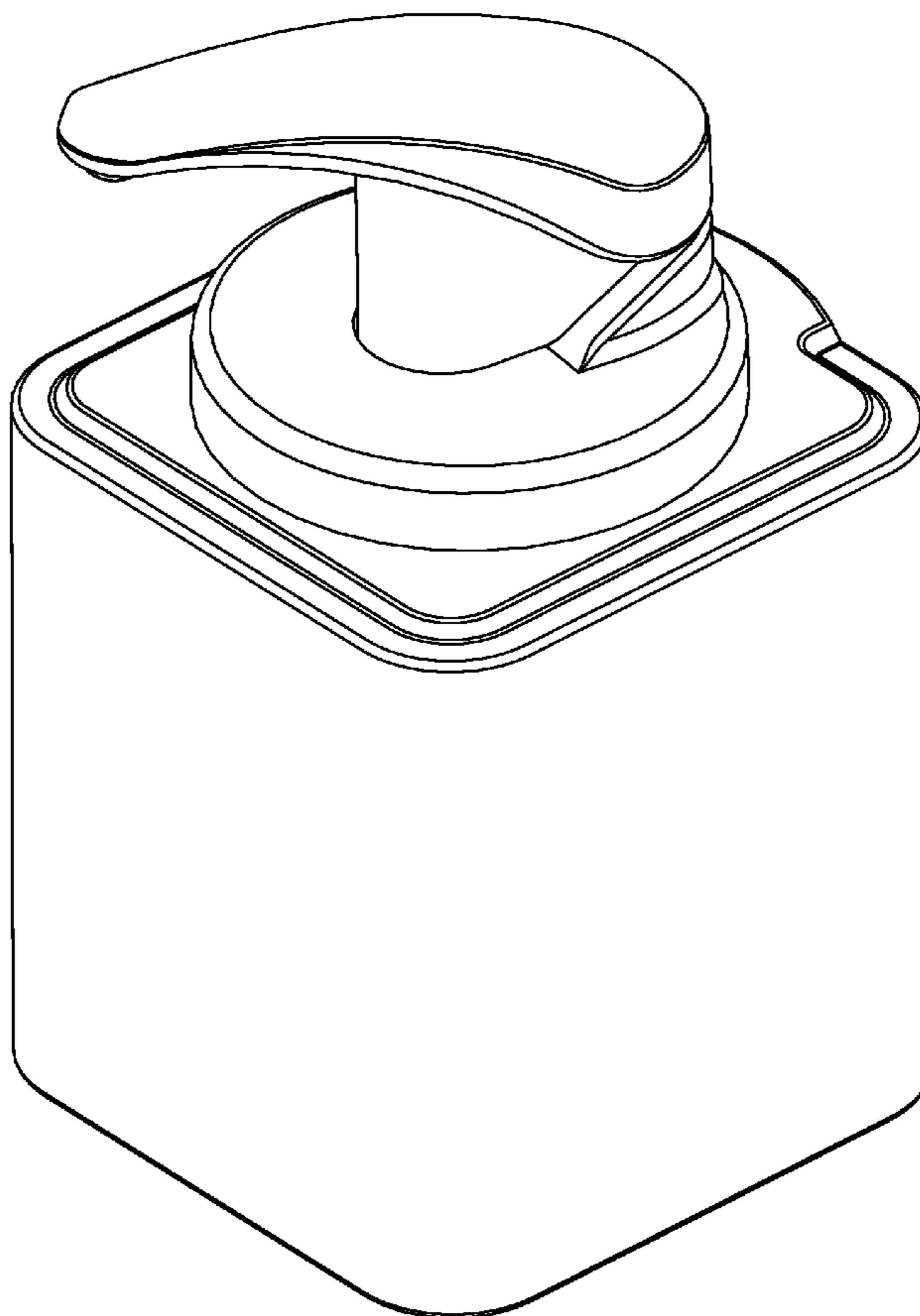
We claim the ornamental design for a soap pump, as shown and described.

**DESCRIPTION**

FIG. 1 is a front view of a soap pump showing our new design;  
FIG. 2 is a rear view thereof;  
FIG. 3 is a top view thereof;  
FIG. 4 is a bottom view thereof;  
FIG. 5 is a left view thereof;  
FIG. 6 is a right view thereof; and,  
FIG. 7 is a right perspective view thereof.

All features illustrated in phantom or broken lines are expressly disclaimed and form no part of the claimed design.

**1 Claim, 7 Drawing Sheets**



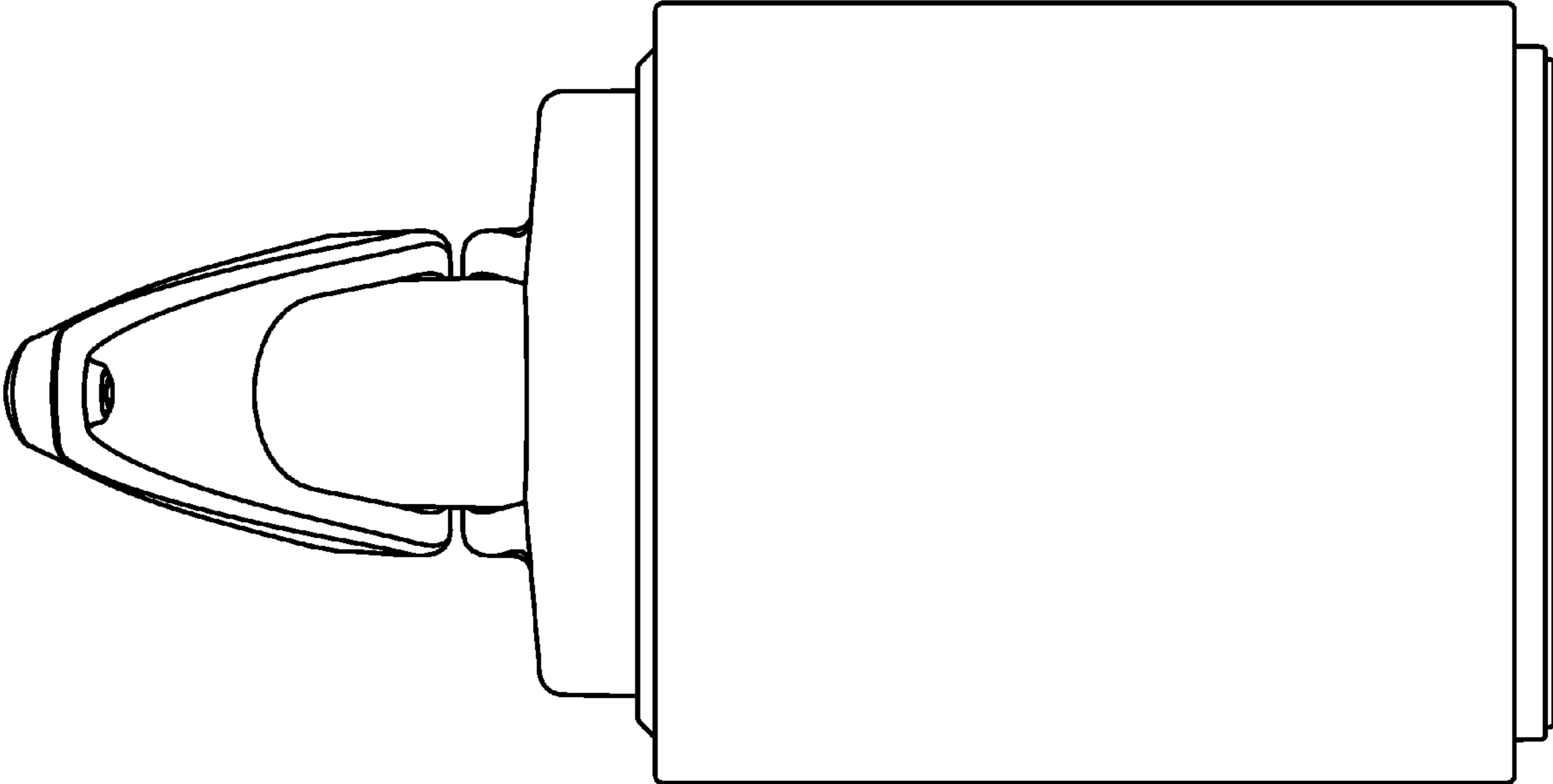


FIGURE 1

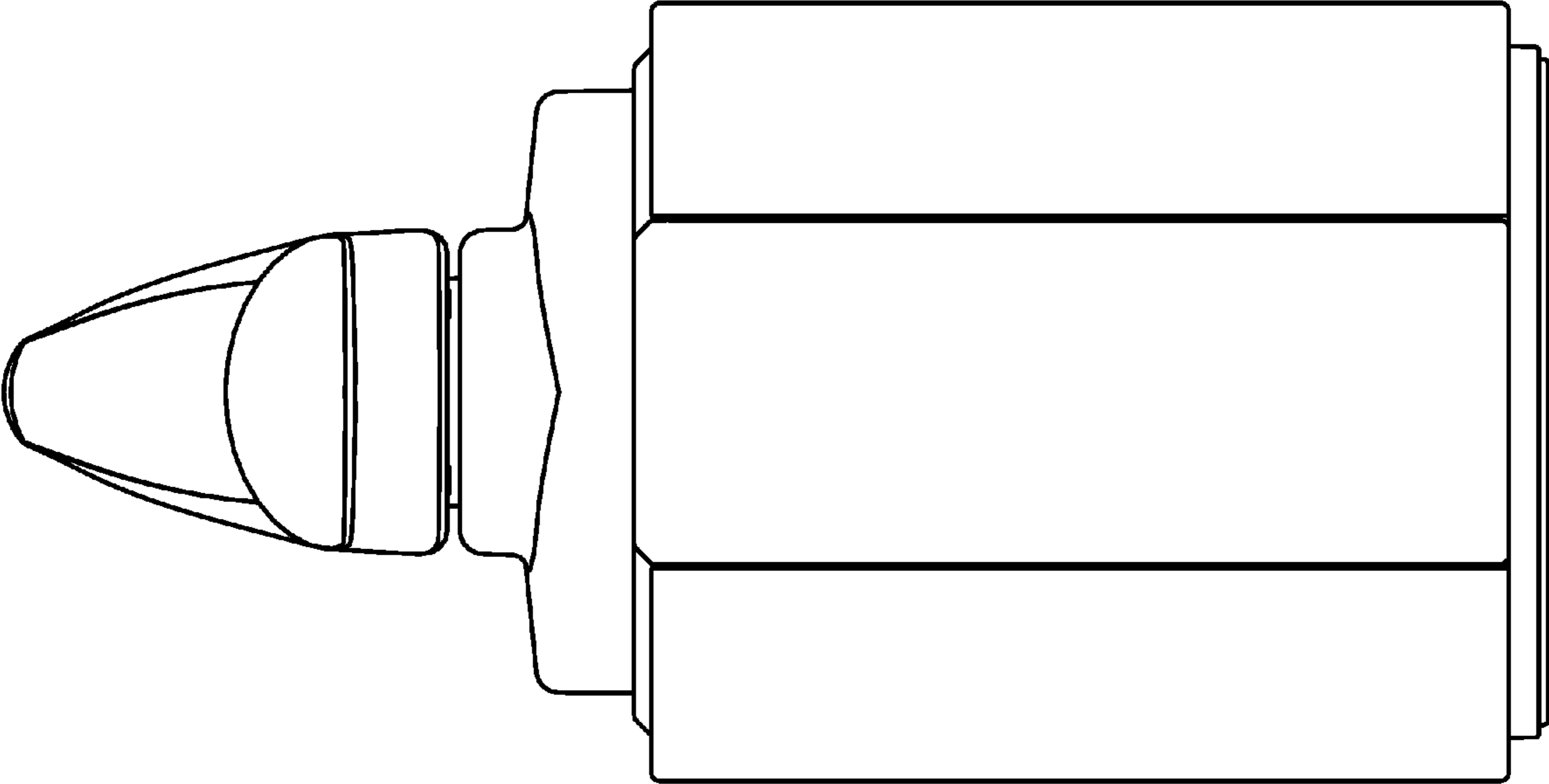


FIGURE 2

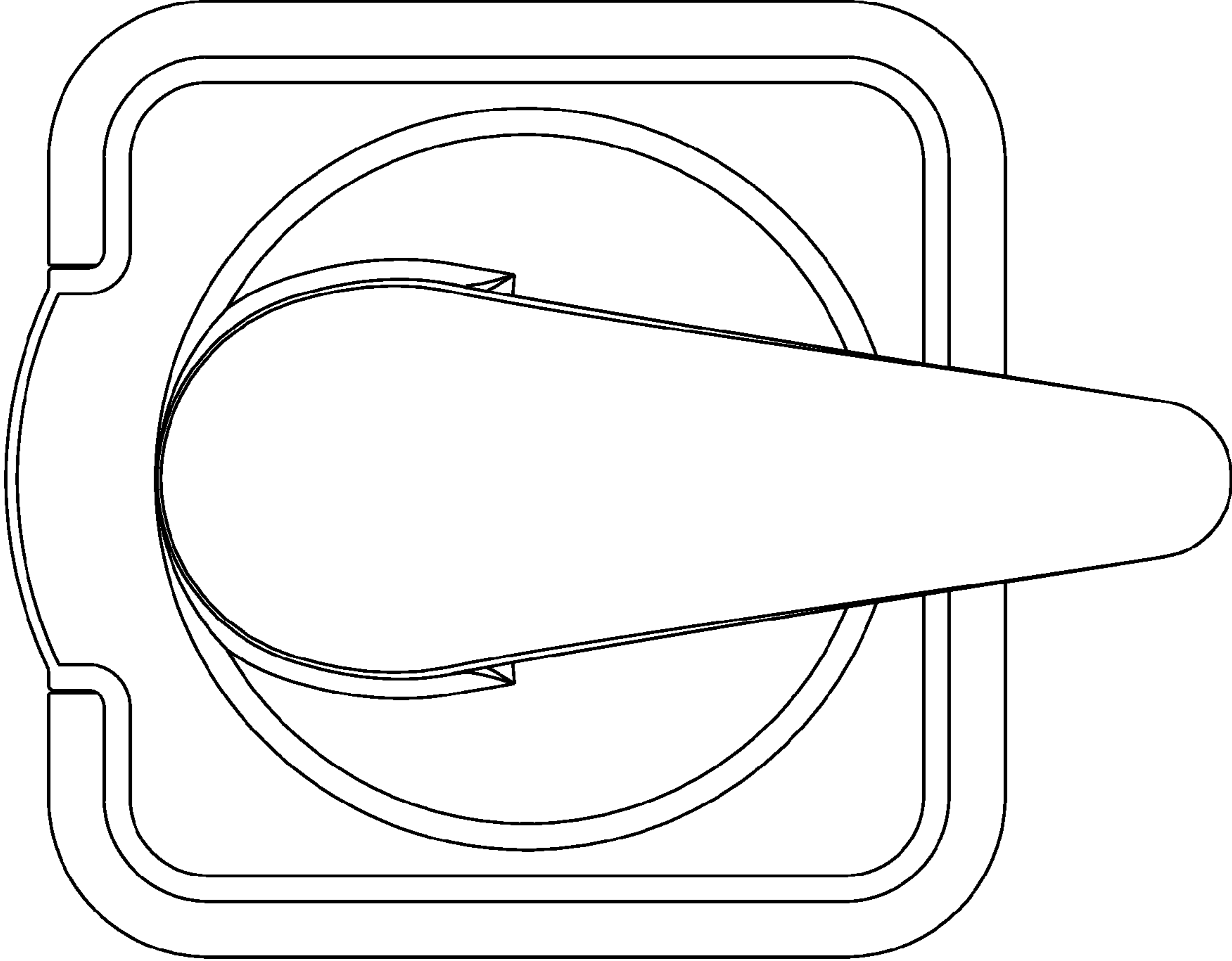


FIGURE 3

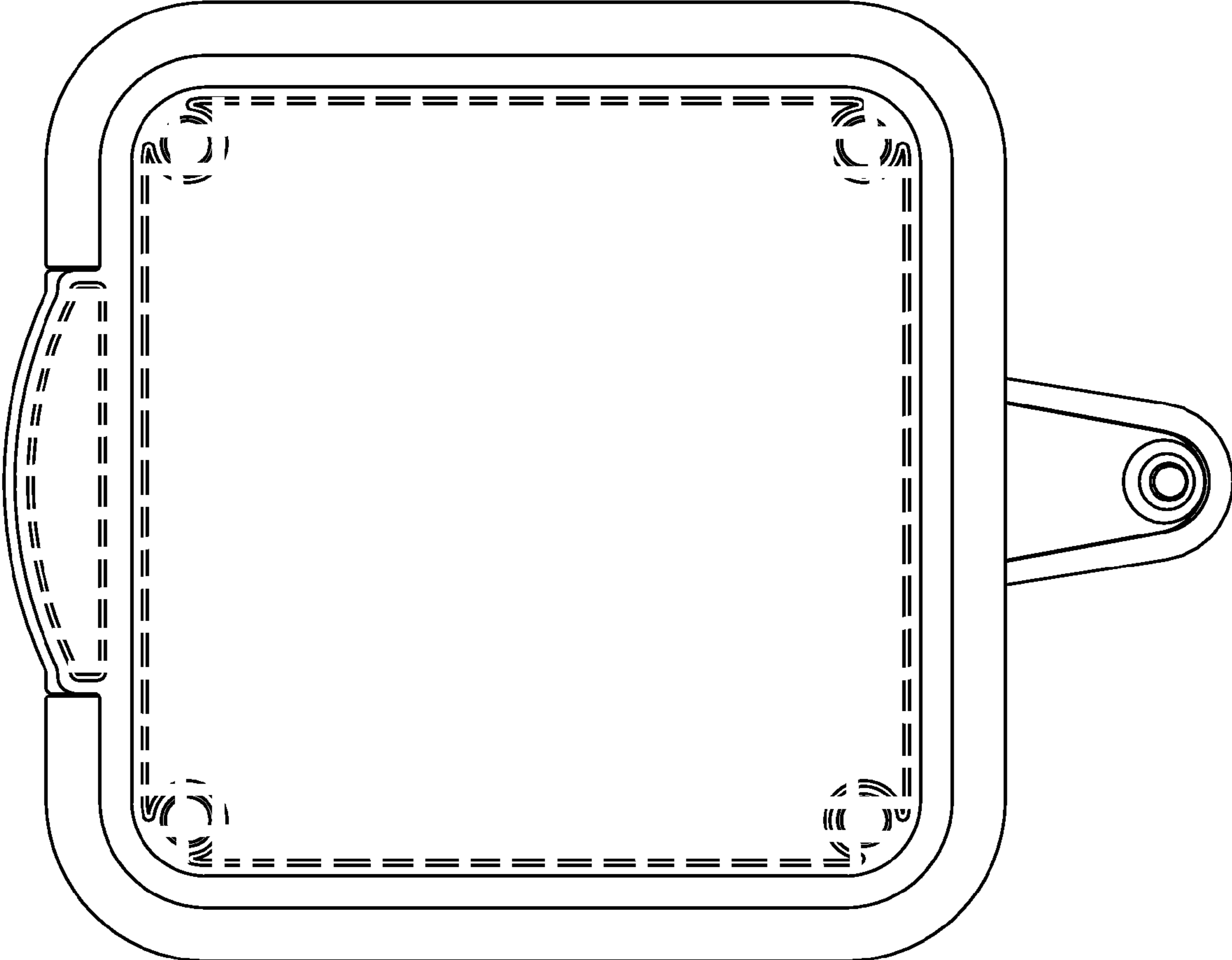
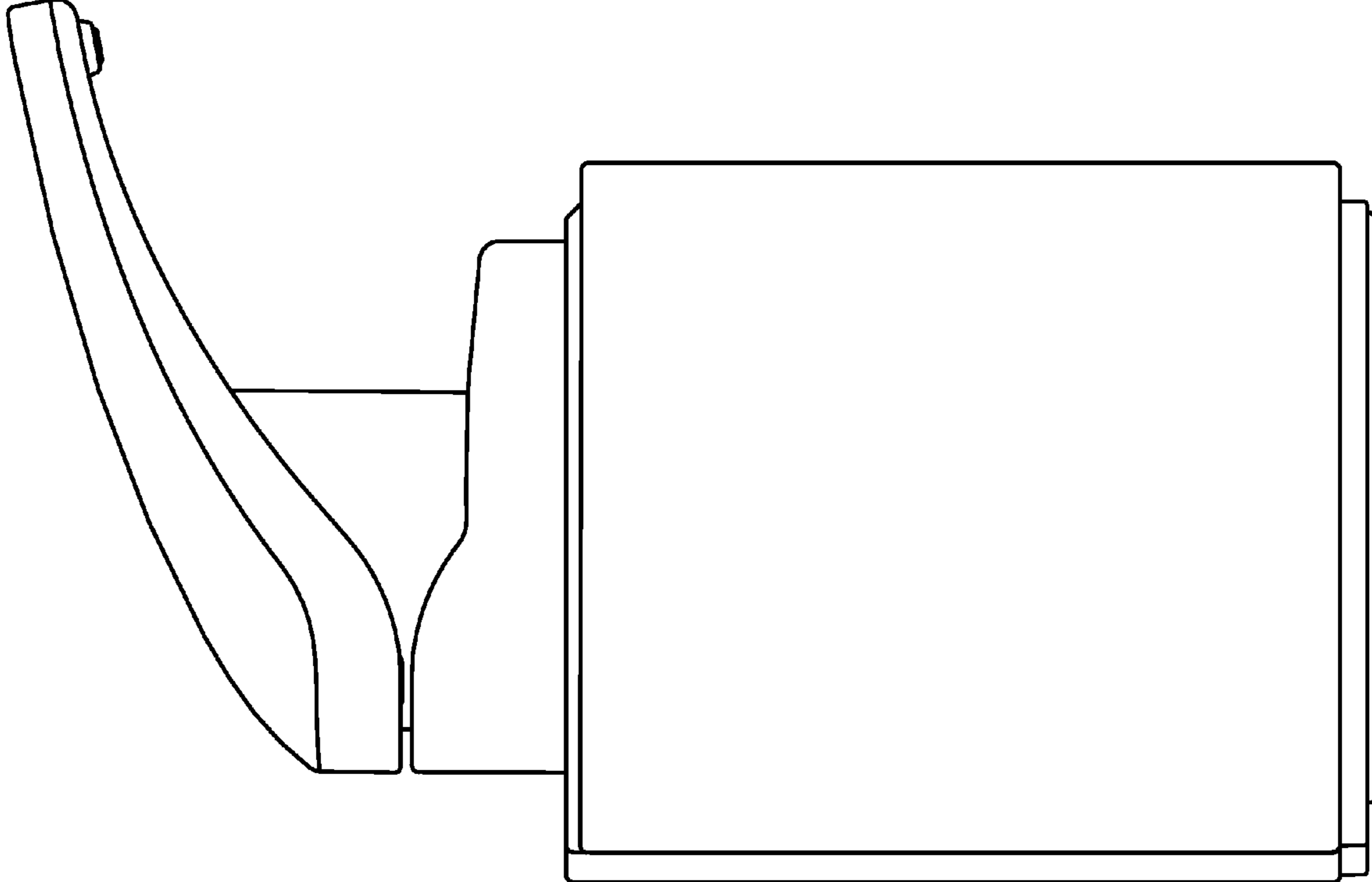


FIGURE 4

FIGURE 5



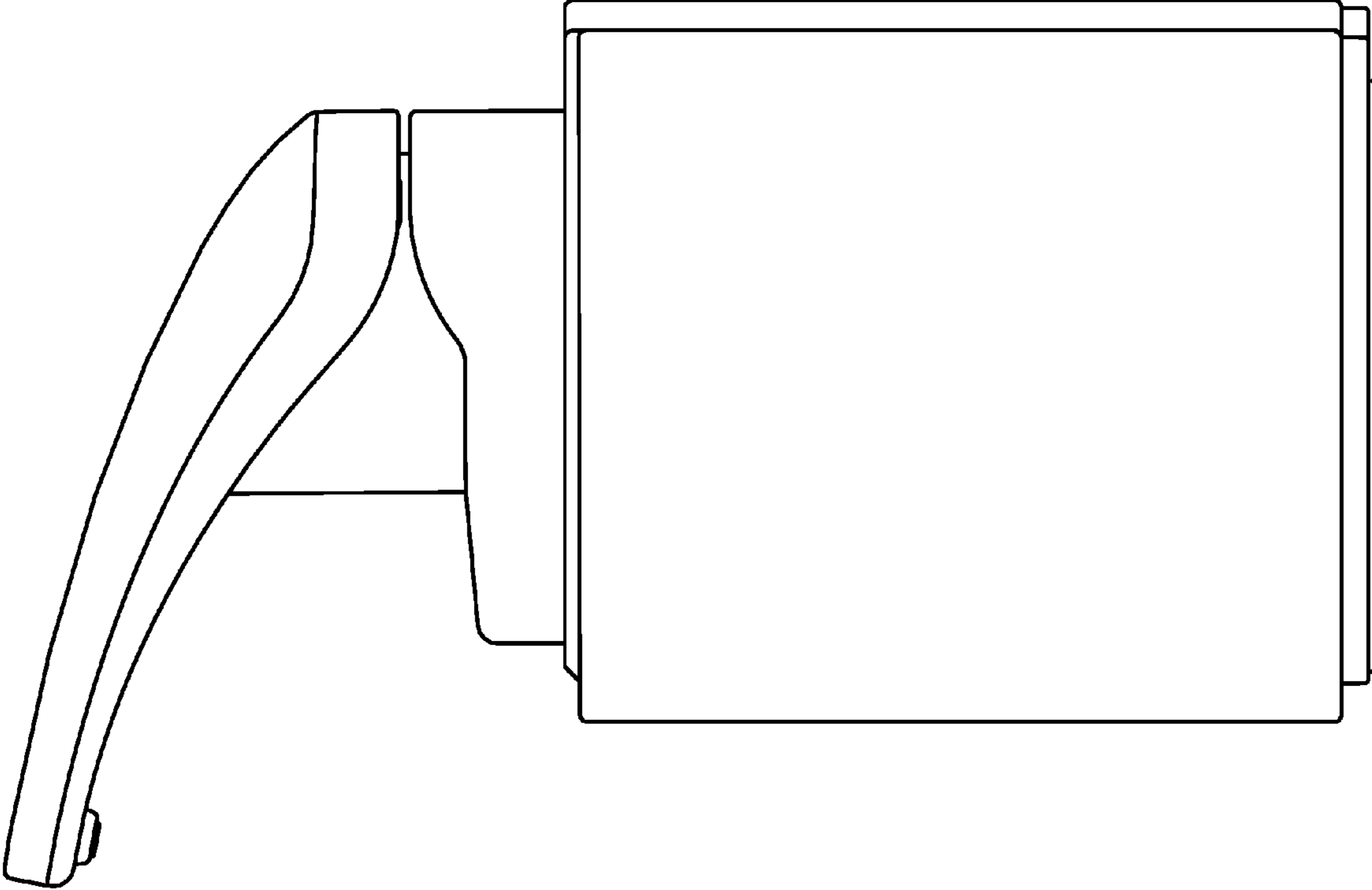


FIGURE 6

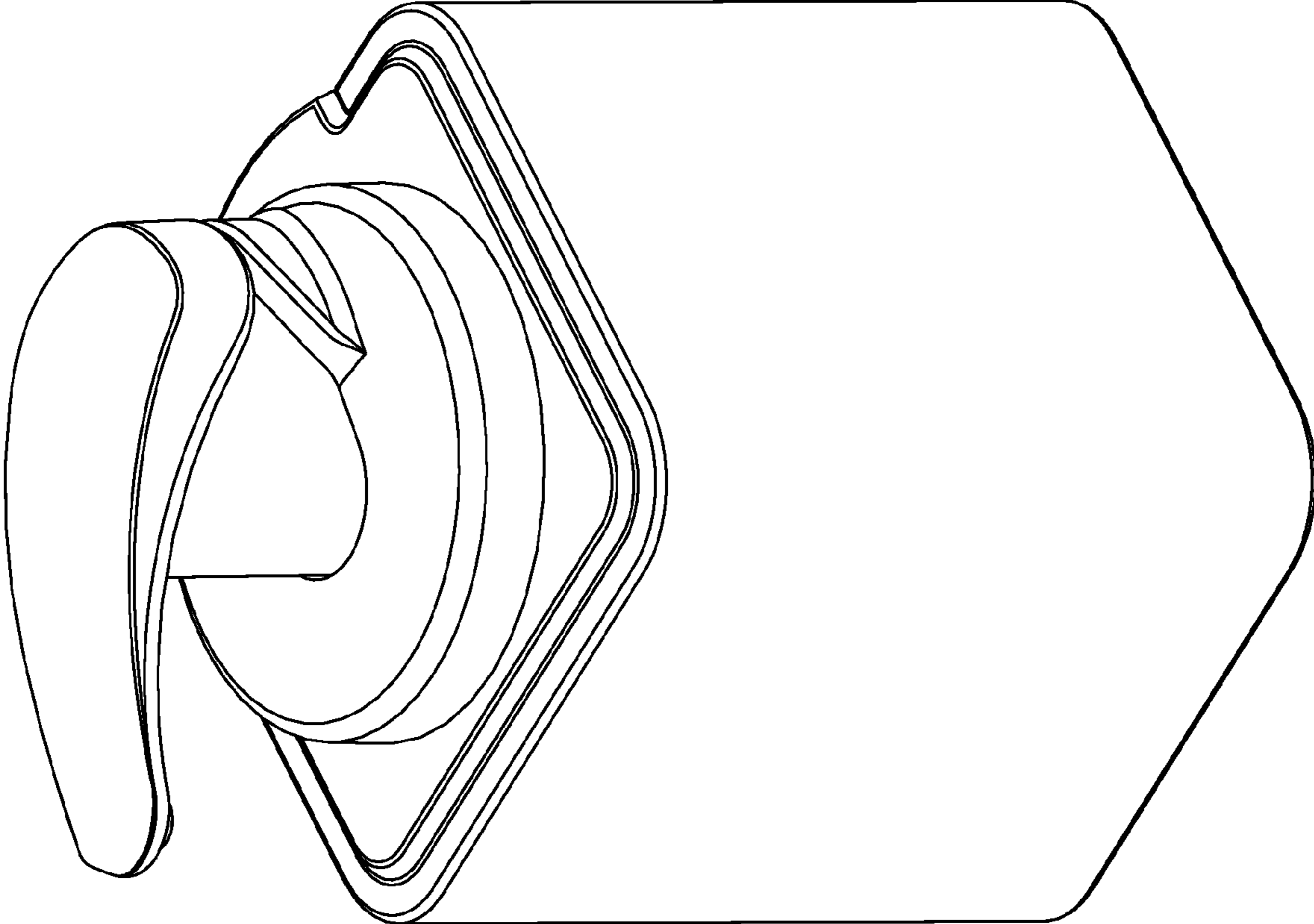


FIGURE 7