



US00D625942S

(12) **United States Design Patent**
Yang et al.

(10) **Patent No.:** **US D625,942 S**
(45) **Date of Patent:** **** Oct. 26, 2010**

(54) **TOOTH BRUSH HOLDER**

D609,950 S * 2/2010 Yang et al. D6/528

(75) Inventors: **Frank Yang**, Rancho Palos Verdes, CA (US); **Tzu-Hao Wei**, Hacienda Heights, CA (US); **Helen L. Tang**, Rowland Heights, CA (US); **Myk Lum**, Irvine, CA (US)

* cited by examiner

Primary Examiner—Brian N Vinson

(73) Assignee: **simplehuman, LLC**, Torrance, CA (US)

(57) **CLAIM**

We claim the ornamental design for a tooth brush holder, as shown and described.

(**) Term: **14 Years**

DESCRIPTION

(21) Appl. No.: **29/334,150**

FIG. 1 is a right view of a tooth brush holder showing our new design;

(22) Filed: **Mar. 20, 2009**

FIG. 2 is a left view thereof;

(51) **LOC (9) Cl.** **23-02**

FIG. 3 is a bottom view thereof;

(52) **U.S. Cl.** **D6/528**

FIG. 4 is a top view thereof;

(58) **Field of Classification Search** D6/524,
D6/528, 534; 206/349, 361, 362, 362.1,
206/362.2, 362.3; 211/13.1, 65

FIG. 5 is a front view thereof;

See application file for complete search history.

FIG. 6 is a rear view thereof; and,

(56) **References Cited**

FIG. 7 is a right, front, and top perspective view thereof.

U.S. PATENT DOCUMENTS

All features illustrated in phantom or broken lines are expressly disclaimed and form no part of the claimed design.

D567,558 S * 4/2008 Rubin D6/534

1 Claim, 7 Drawing Sheets

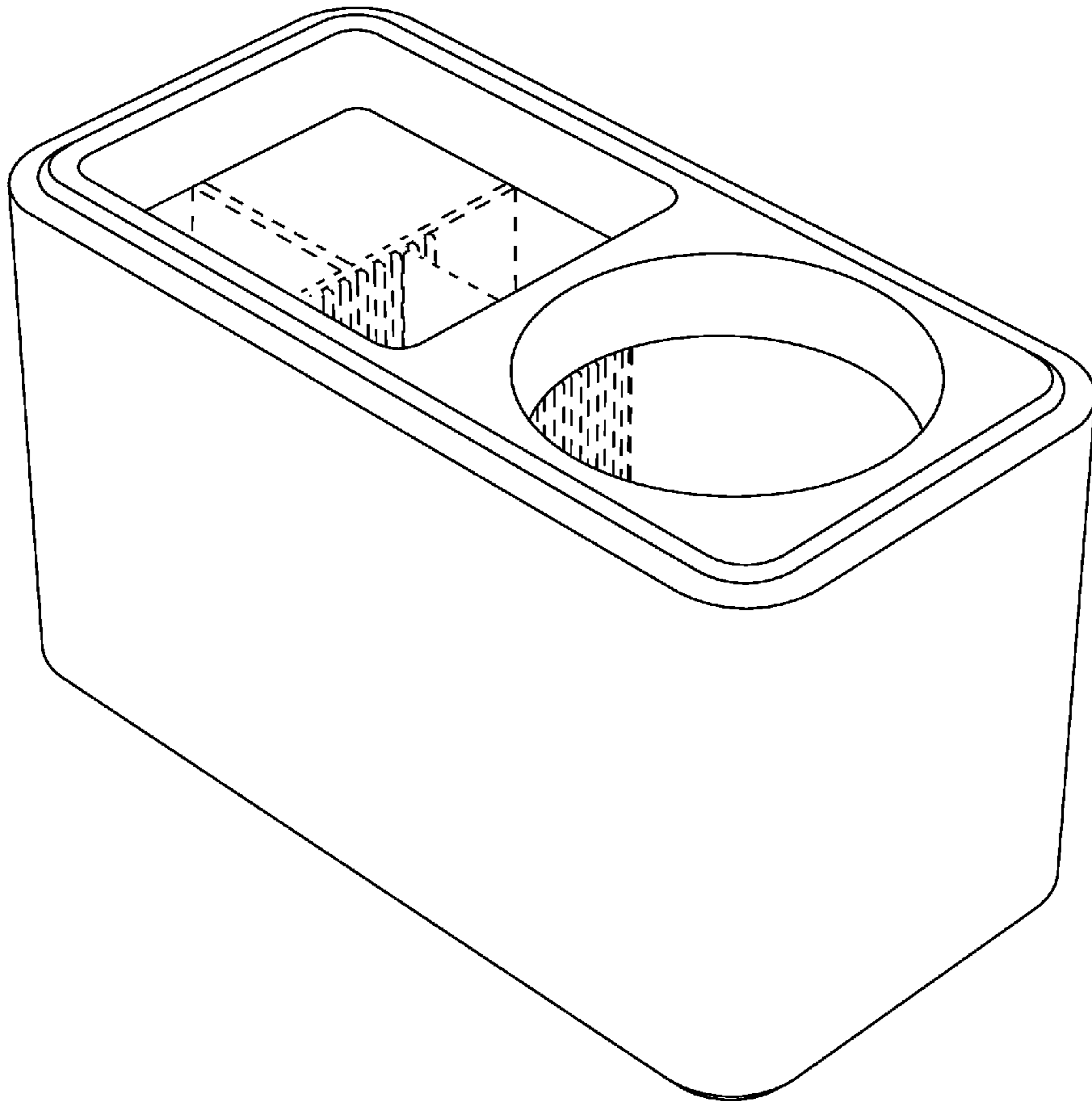




FIGURE 1

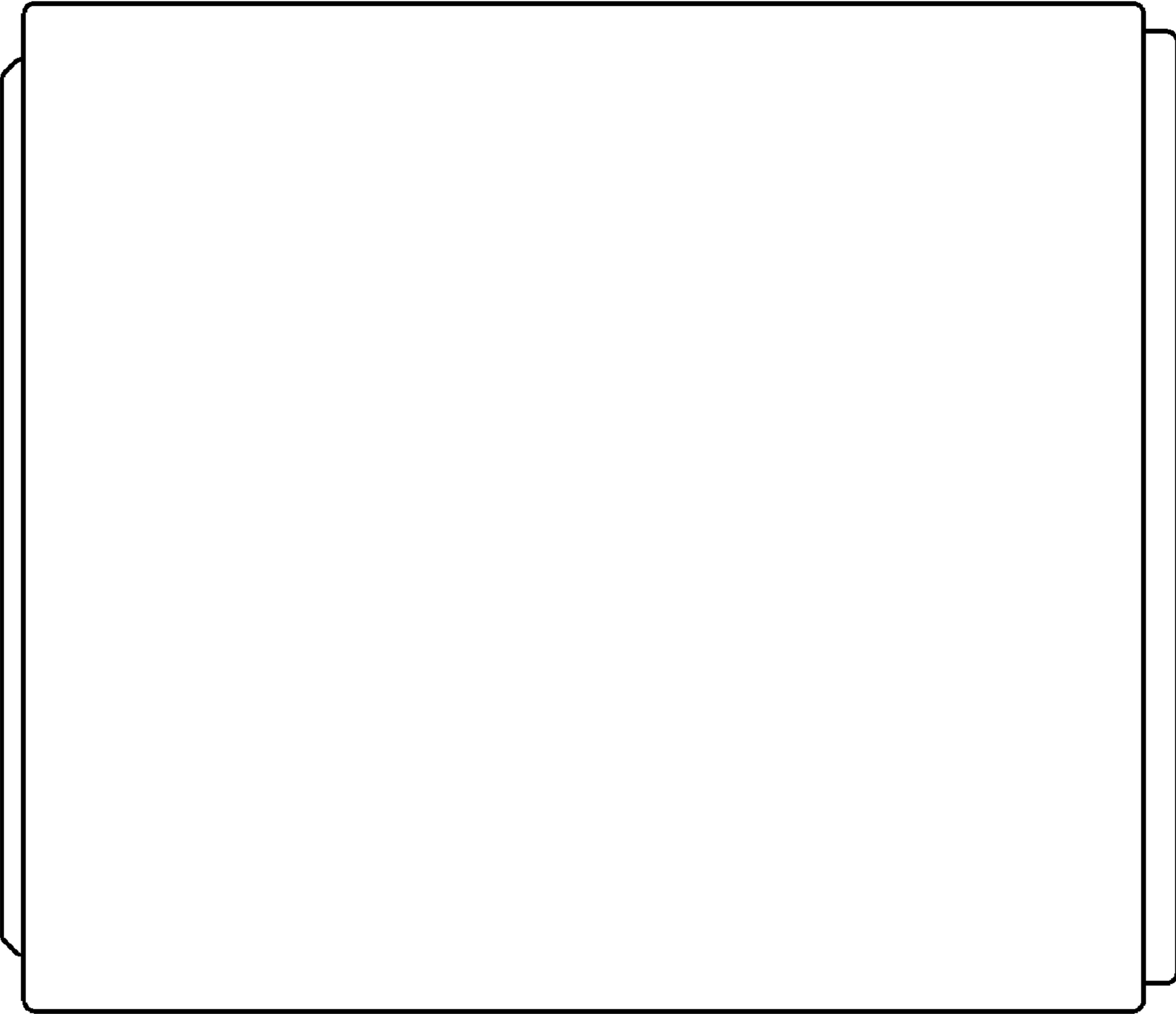


FIGURE 2

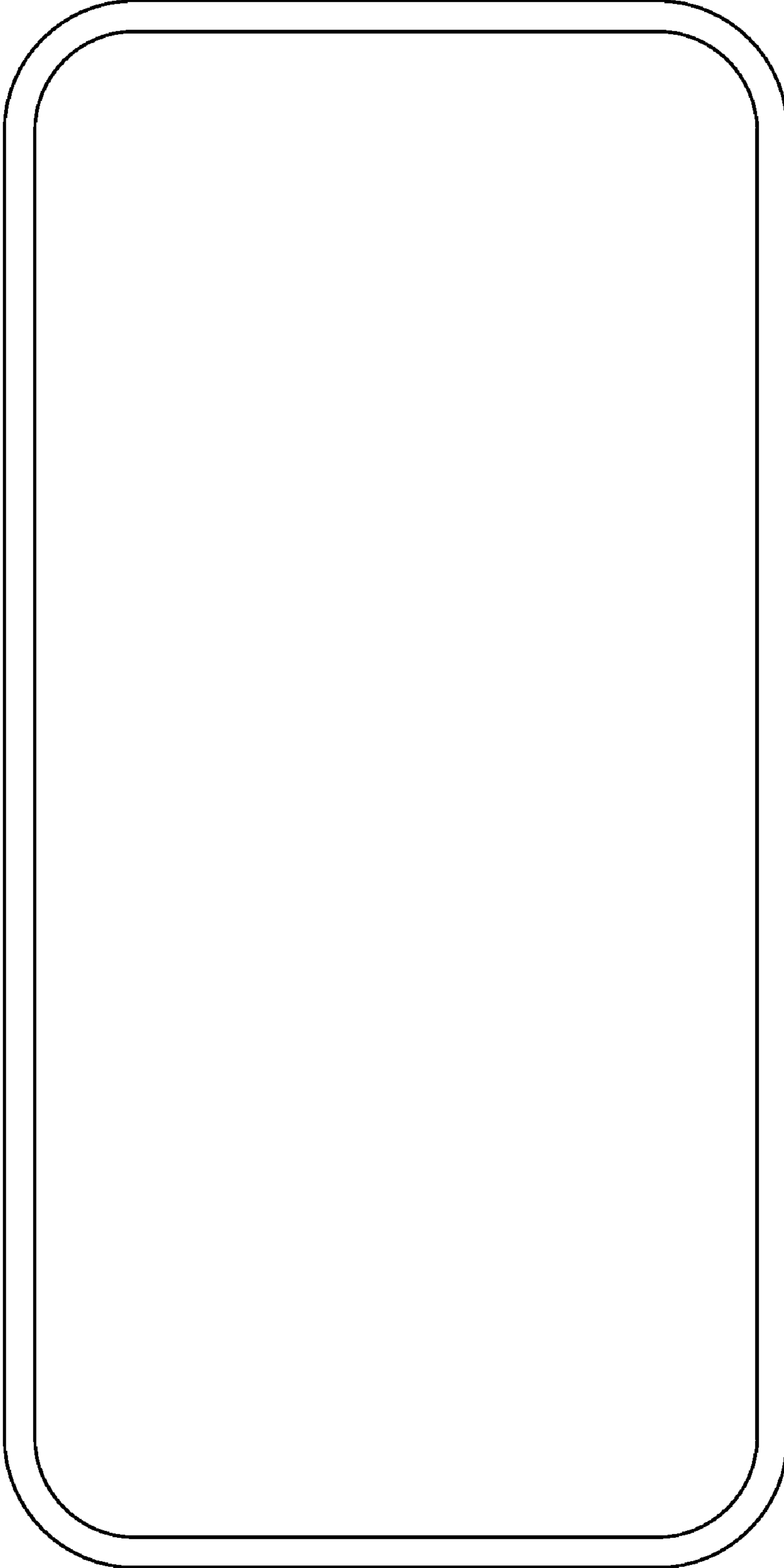


FIGURE 3

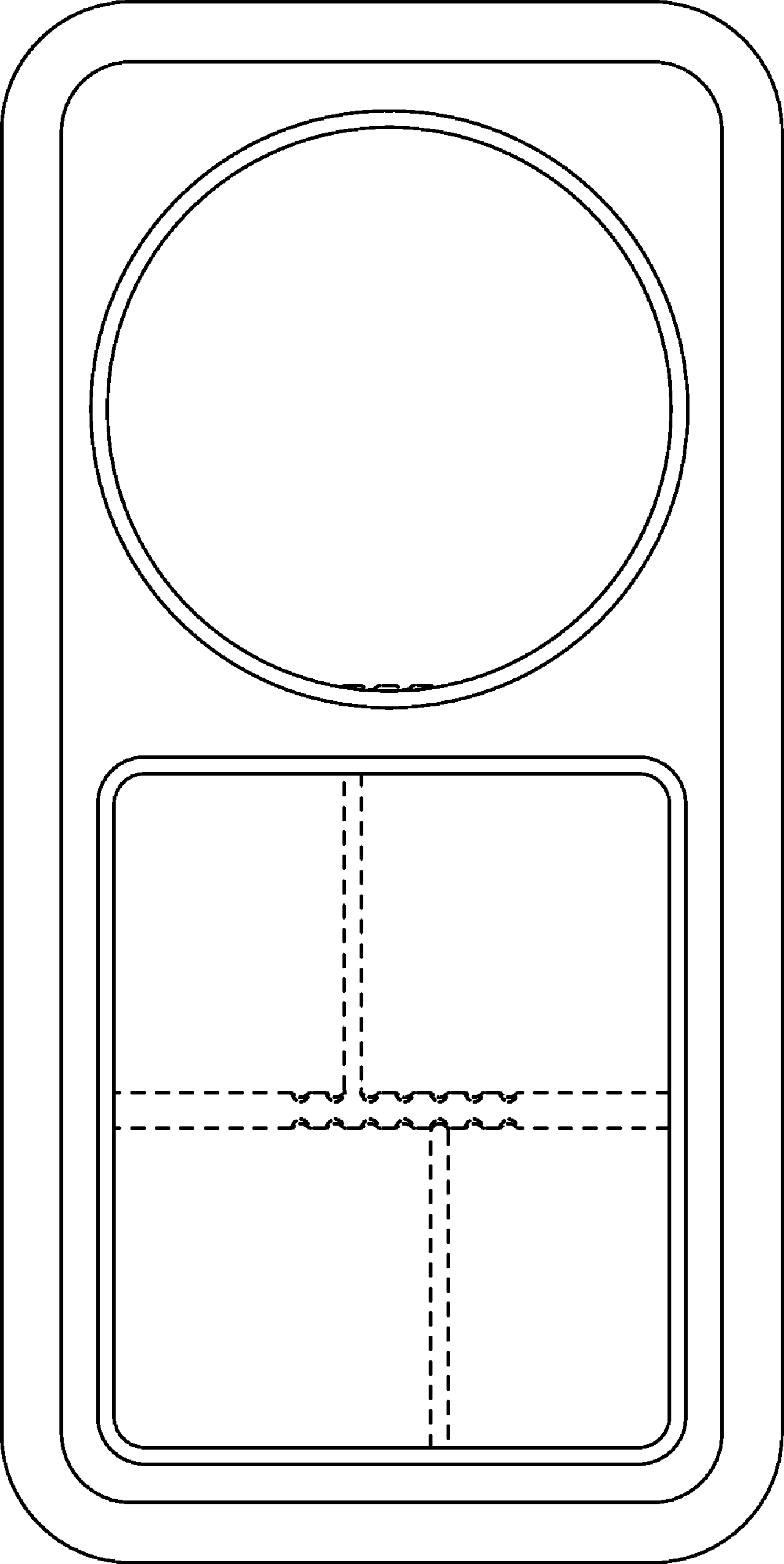


FIGURE 4

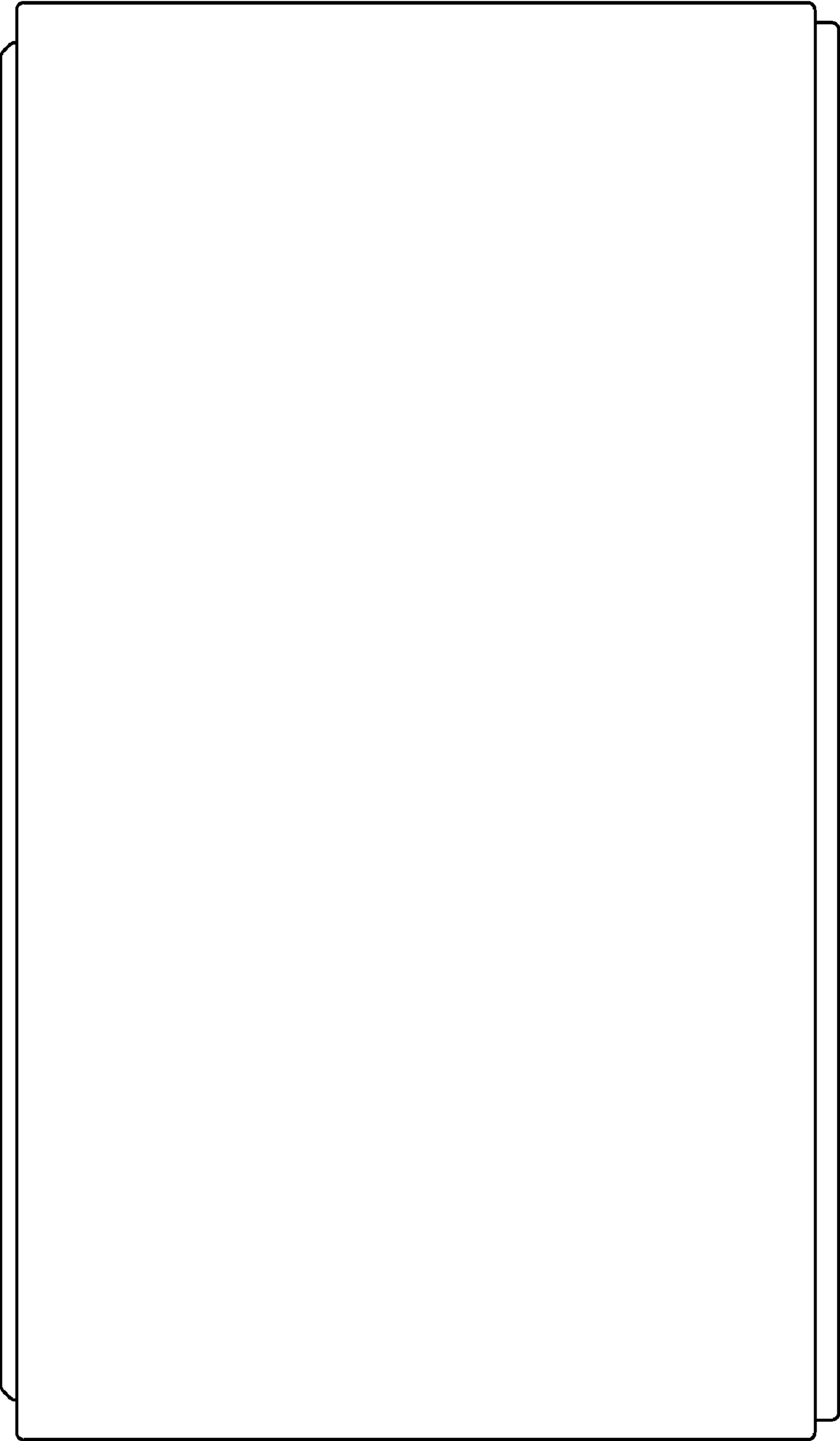


FIGURE 5

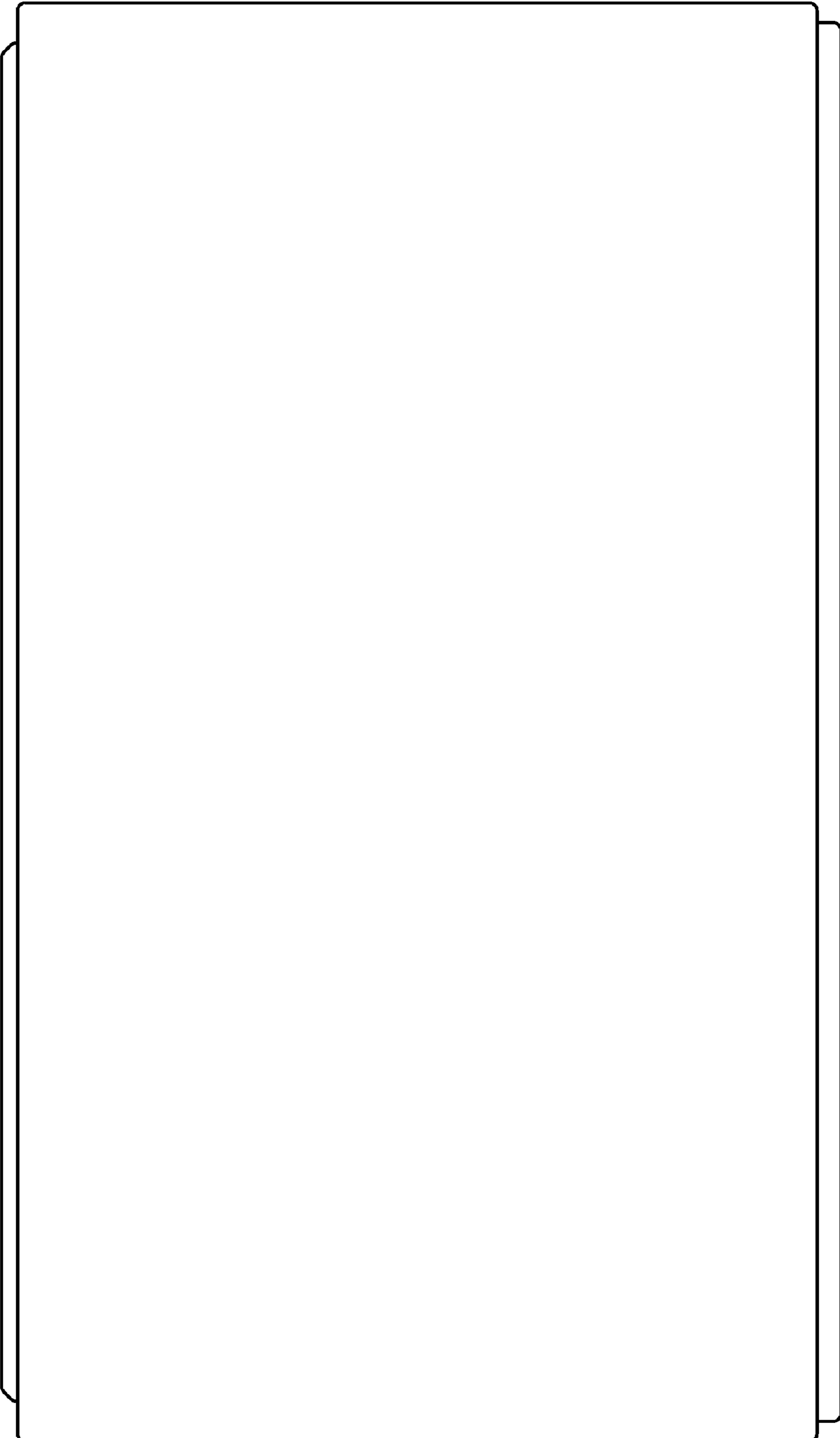


FIGURE 6

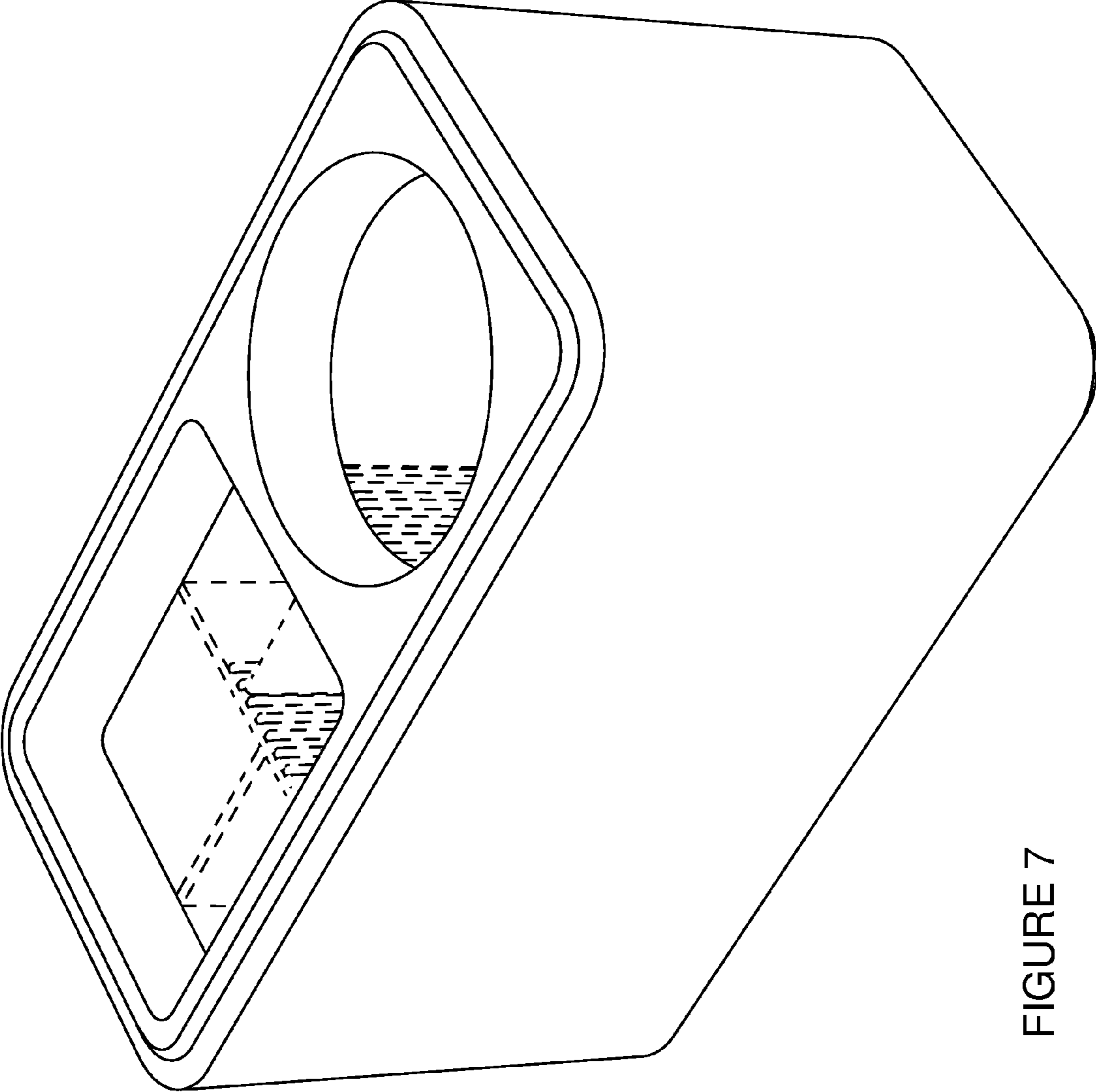


FIGURE 7