



US00D625941S

(12) **United States Design Patent**
Holzer

(10) **Patent No.:** **US D625,941 S**

(45) **Date of Patent:** **** Oct. 26, 2010**

(54) **FRONT PLATE**

(75) Inventor: **Andreas Holzer**, Dornbirn (AT)

(73) Assignee: **Julius Blum GmbH**, Hochst (AT)

(**) Term: **14 Years**

(21) Appl. No.: **29/309,356**

(22) Filed: **Jul. 30, 2008**

(30) **Foreign Application Priority Data**

Feb. 22, 2008	(EM)	000883897-0001
Feb. 22, 2008	(EM)	000883897-0002
Feb. 22, 2008	(EM)	000883897-0003

(51) **LOC (9) Cl.** **06-06**

(52) **U.S. Cl.** **D6/510**

(58) **Field of Classification Search** D6/397,
D6/421-426, 429-449, 470, 474, 477-480,
D6/484, 492, 495, 510; 220/542; 229/198.1;
312/184, 204, 224, 227, 238, 265.1, 297,
312/330.1, 334.36, 348.3, 348.4, 348.6
See application file for complete search history.

(56) **References Cited**

U.S. PATENT DOCUMENTS

1,172,189	A *	2/1916	Bauer	312/348.4
1,734,171	A *	11/1929	Lineberger	220/542
2,730,292	A *	1/1956	Jonas et al.	229/198.1
2,842,420	A *	7/1958	Hansen et al.	312/348.6
3,767,281	A *	10/1973	Adams	312/265.1
3,933,402	A *	1/1976	Peterson	312/265.1
D326,381	S *	5/1992	Heiligenthal et al.	D6/510

5,161,870	A *	11/1992	Mason et al.	312/348.4
D335,409	S *	5/1993	Kellems	D6/510
D458,780	S *	6/2002	Siepmann et al.	D6/510
7,469,979	B2 *	12/2008	Tupper et al.	312/348.4
D605,882	S *	12/2009	Bohler	D6/510
2007/0096607	A1 *	5/2007	Ricchetti et al.	312/184

* cited by examiner

Primary Examiner—Ricky Pham

(74) *Attorney, Agent, or Firm*—Wenderoth, Lind & Ponack, L.L.P.

(57) **CLAIM**

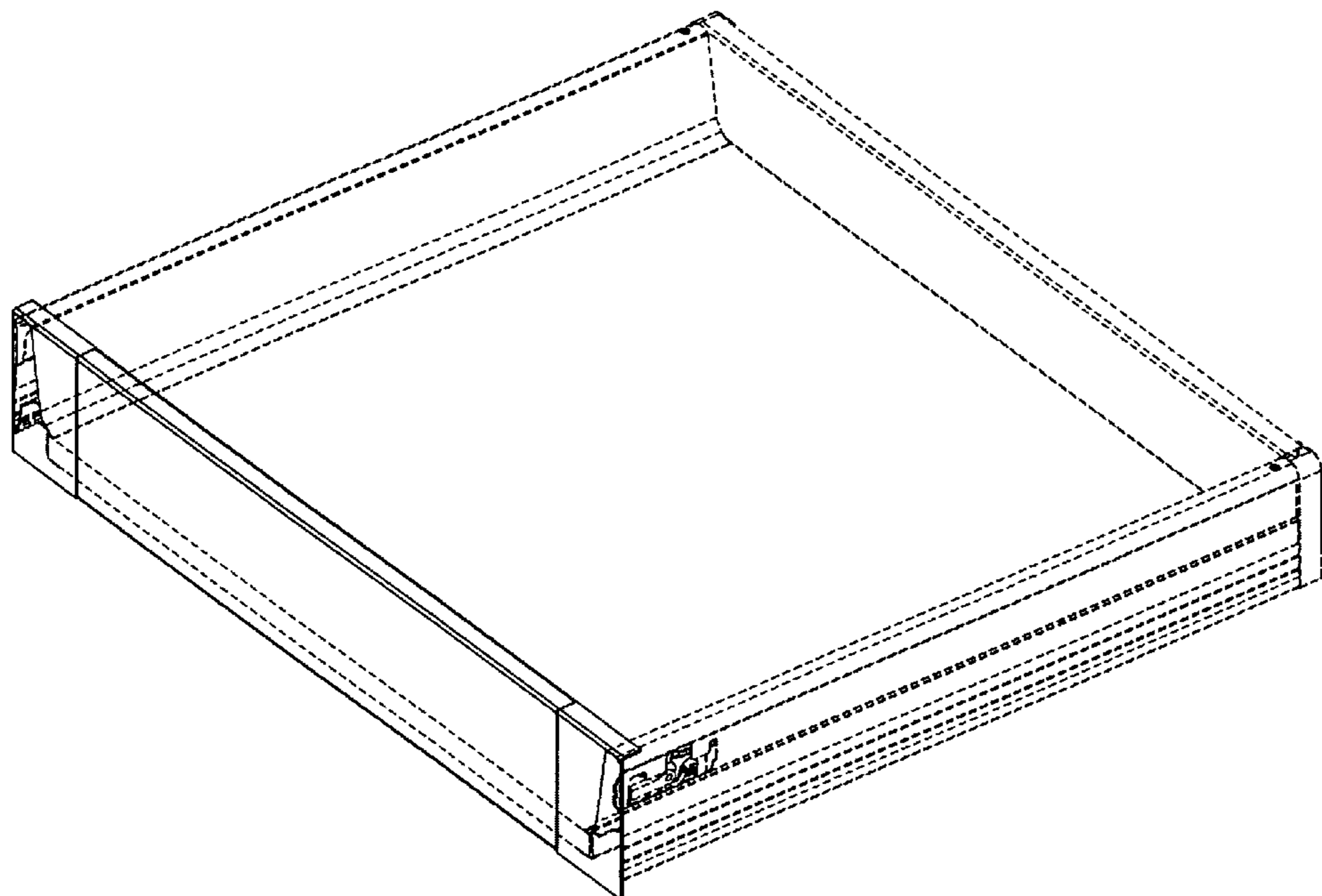
The ornamental design for a front plate, as shown and described.

DESCRIPTION

FIG. 1 is a front perspective view of a front plate;
FIG. 2 is a back perspective view of the front plate of FIG. 1;
FIG. 3 is a bottom view of the front plate of FIG. 1;
FIG. 4 is a top view of the front plate of FIG. 1;
FIG. 5 is a front view of the front plate of FIG. 1;
FIG. 6 is a back view of the front plate of FIG. 1;
FIG. 7 is a left side view of the front plate of FIG. 1;
FIG. 8 is a right side view of the front plate of FIG. 1; and,
FIG. 9 is an environment perspective view of the front plate of FIG. 1.

The features shown in broken lines form no portion of the claimed design.

1 Claim, 4 Drawing Sheets



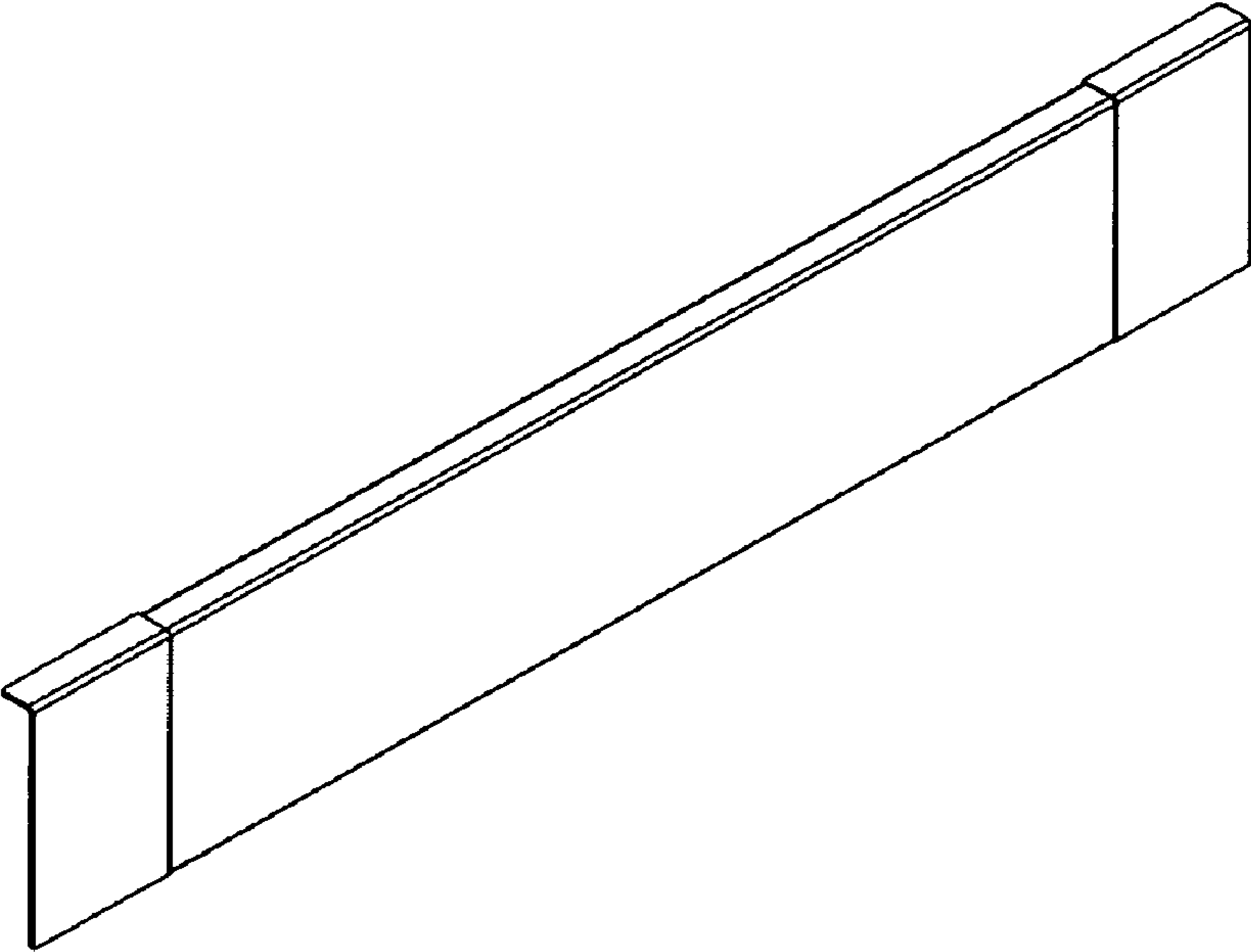


Fig. 1

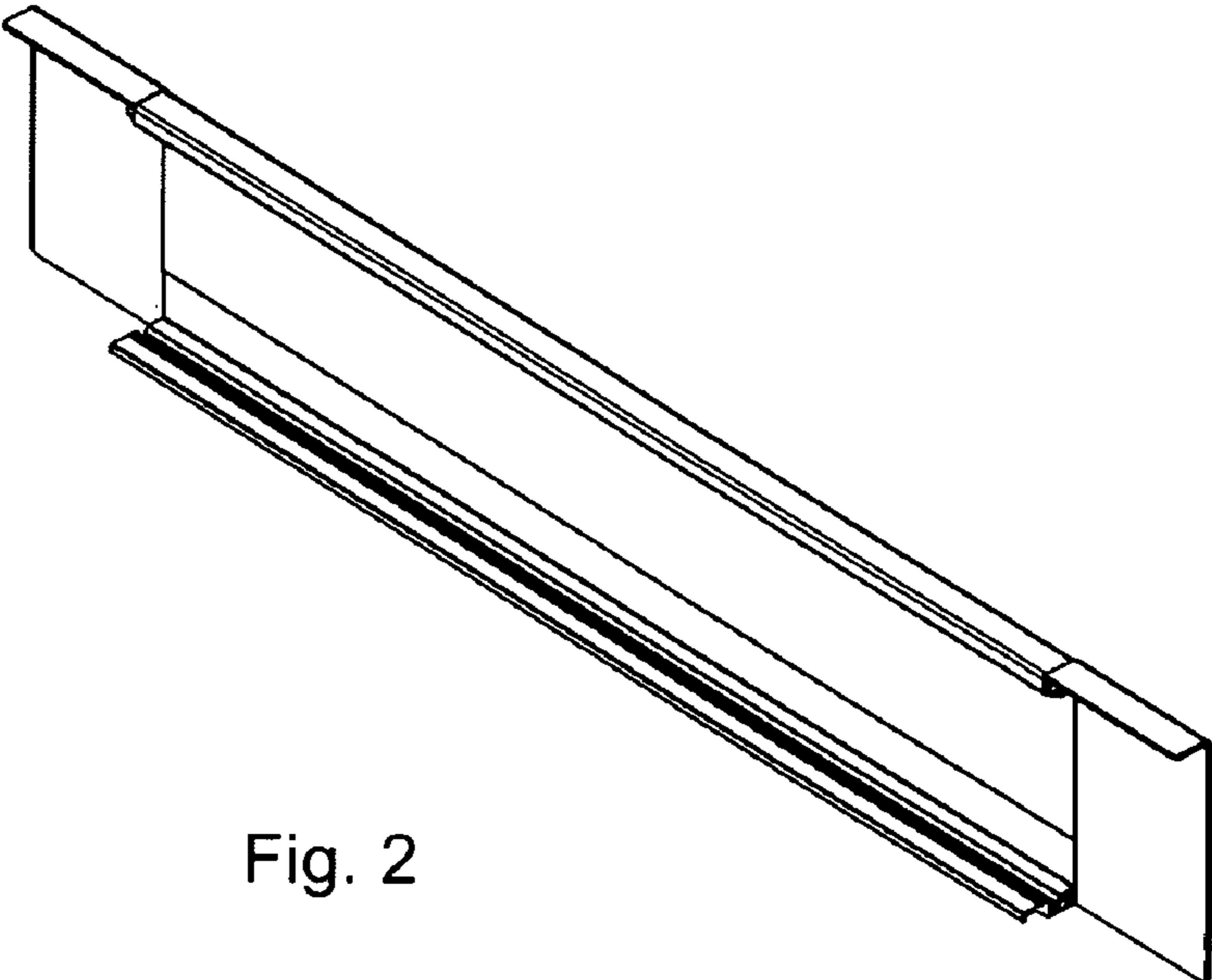


Fig. 2



Fig. 3



Fig. 4

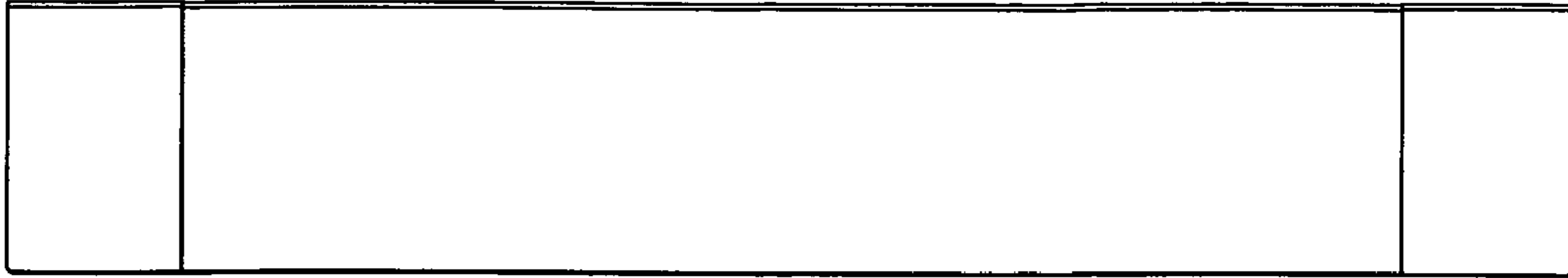


Fig. 5

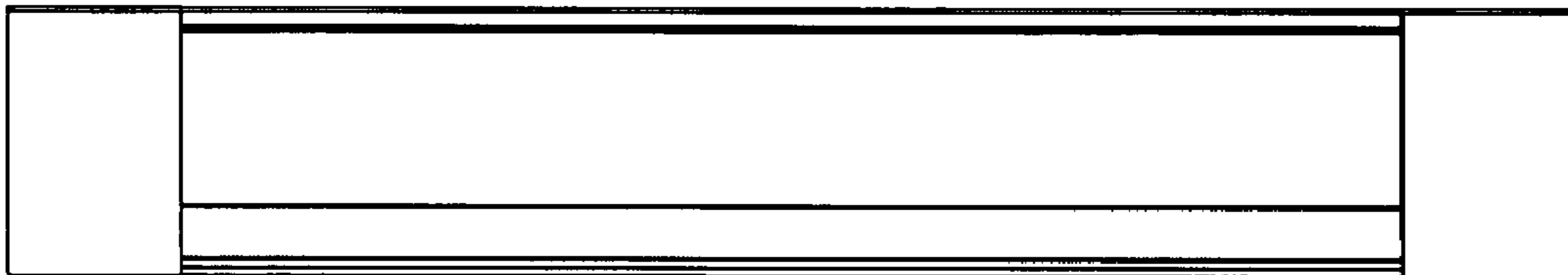


Fig. 6



Fig. 7



Fig. 8

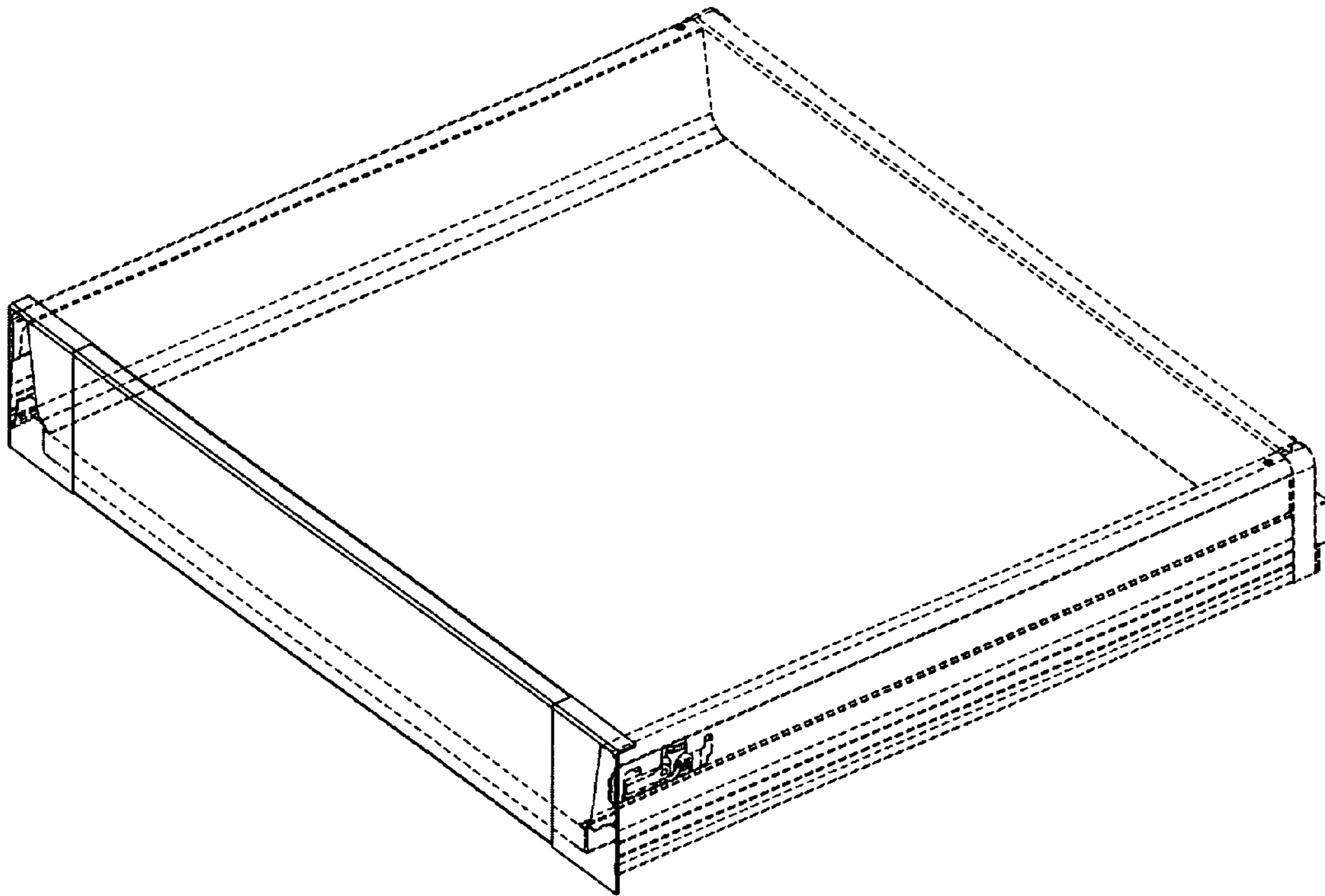


Fig. 9