



US00D625940S

(12) **United States Design Patent**
Suge et al.

(10) **Patent No.:** **US D625,940 S**
(45) **Date of Patent:** **** Oct. 26, 2010**

(54) **AIRCRAFT SEAT**

(75) Inventors: **Yasutaka Suge**, Tokyo (JP); **Yuichi Akutsu**, Tokyo (JP); **Manabu Matsumoto**, Tokyo (JP); **Kosuke Wakao**, Tokyo (JP)

(73) Assignee: **Japan Airlines International Co., Ltd.**, Tokyo (JP)

(**) Term: **14 Years**

(21) Appl. No.: **29/309,598**

(22) Filed: **Sep. 9, 2008**

(30) **Foreign Application Priority Data**

Mar. 19, 2008 (JP) D2008-006844

(51) **LOC (9) Cl.** **06-01**

(52) **U.S. Cl.** **D6/491**

(58) **Field of Classification Search** D6/491,
D6/334-336, 356, 367-368, 371, 376, 379,
D6/381, 500-502; 297/173, 216.1, 232,
297/353, 354.1, 452.24, 452.21; 244/122 R,
244/118.5, 118.6

See application file for complete search history.

(56) **References Cited**

U.S. PATENT DOCUMENTS

D249,306 S * 9/1978 Bengtsson D6/342

D272,402 S * 1/1984 Marrujo D6/574
D336,379 S * 6/1993 Veneruso D6/356
D488,629 S * 4/2004 Giasson D6/356
D496,197 S * 9/2004 Wenzler D6/500
D505,796 S * 6/2005 Johnson D6/356
D590,161 S * 4/2009 Scoley et al. D6/356
D602,702 S * 10/2009 Saint-Jalmes et al. D6/356
D605,863 S * 12/2009 Aruga et al. D6/356
D606,344 S * 12/2009 Aruga et al. D6/501

* cited by examiner

Primary Examiner—Caron Veynar

Assistant Examiner—Abraham Bahta

(74) *Attorney, Agent, or Firm*—Rader, Fishman & Grauer PLLC

(57) **CLAIM**

The ornamental design for an aircraft seat, as shown and described.

DESCRIPTION

FIG. 1 is a rear elevational view of an aircraft seat showing our new design;

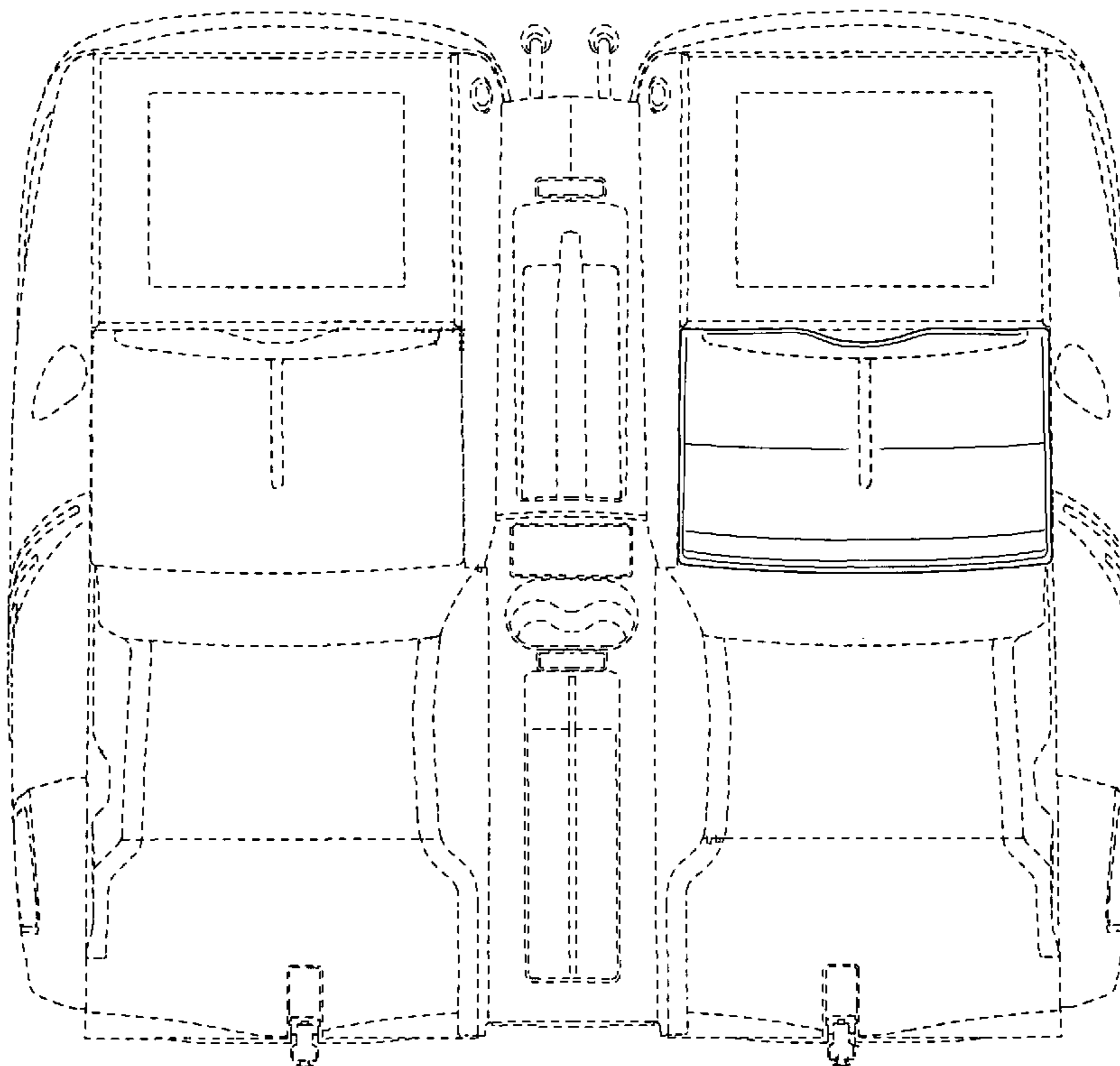
FIG. 2 is a left side elevational view thereof;

FIG. 3 is a top plan view thereof; and,

FIG. 4 is a bottom plan view thereof.

Portions of FIGS. 1-4 that are shown as broken lines are for illustrative purpose only and form no part of the claimed design.

1 Claim, 4 Drawing Sheets



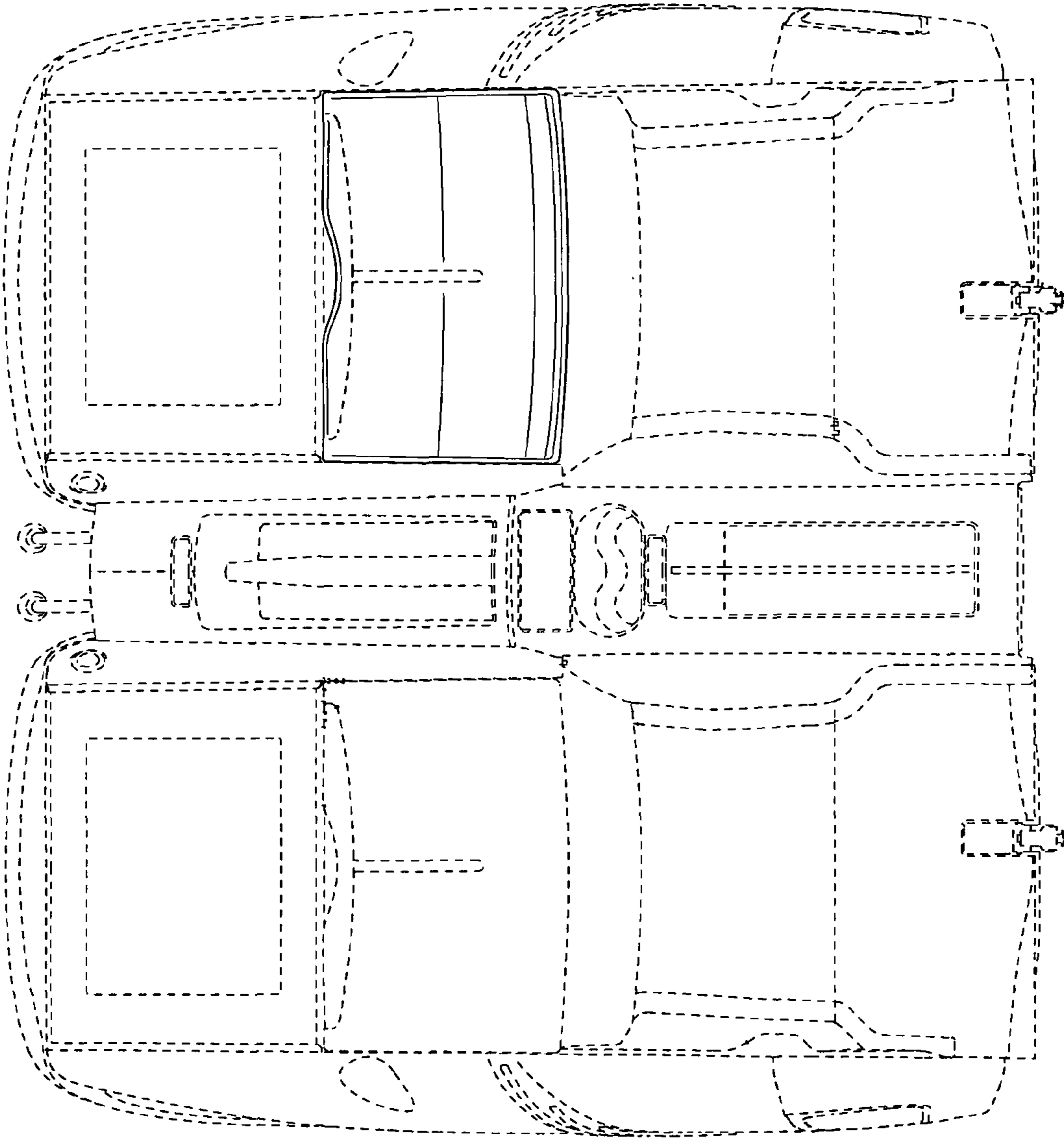


FIG.1

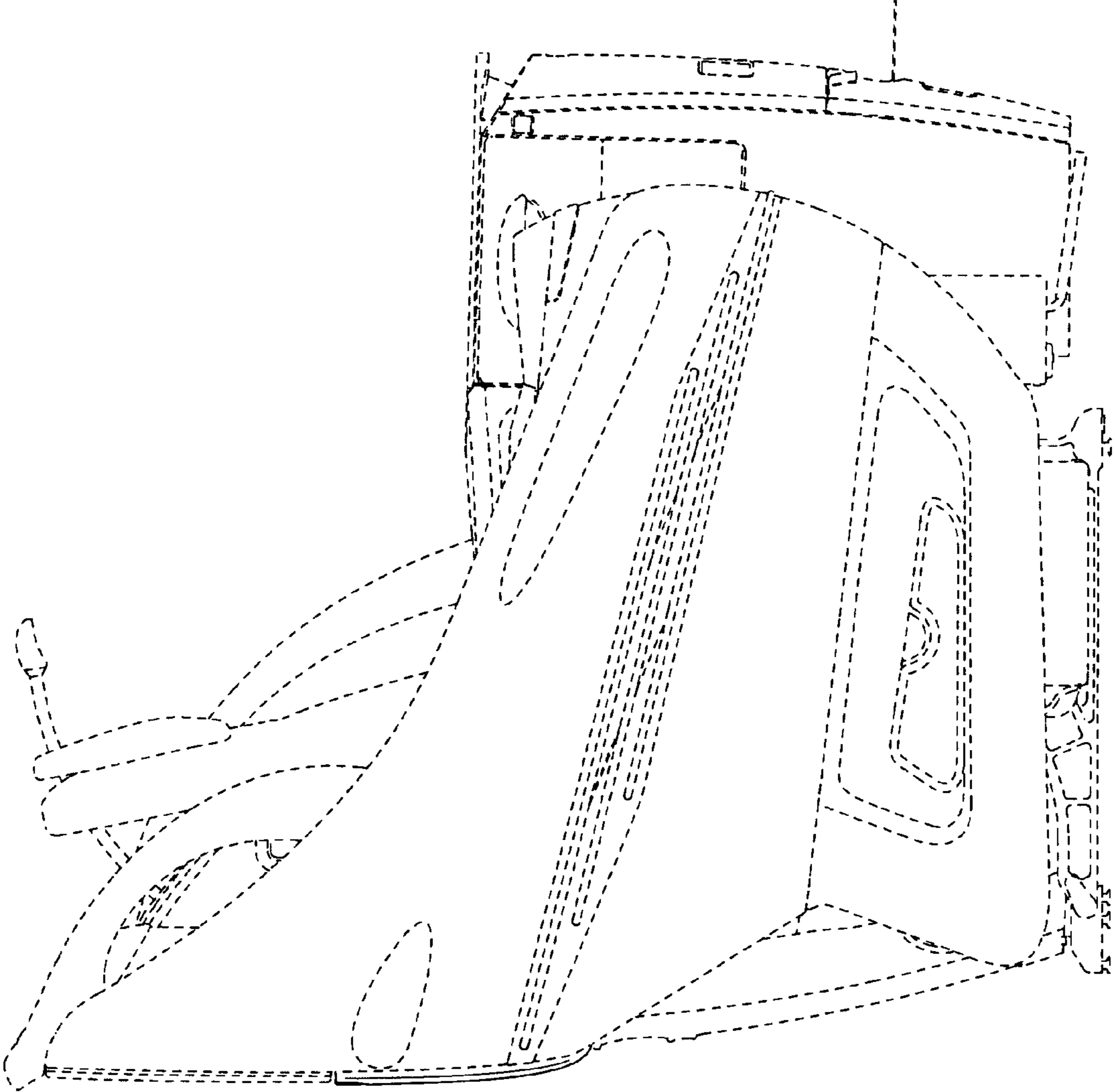


FIG.2

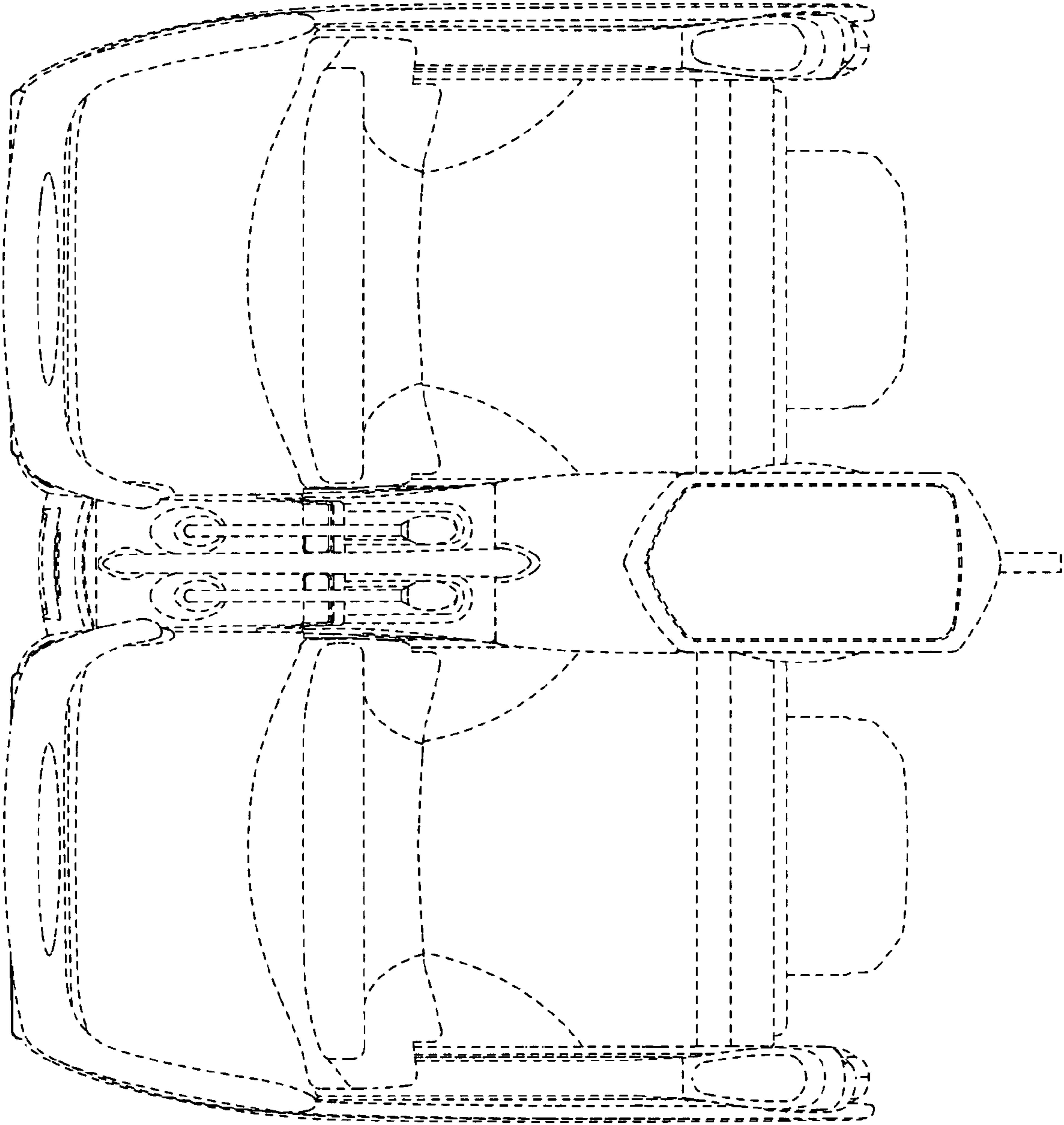


FIG.3

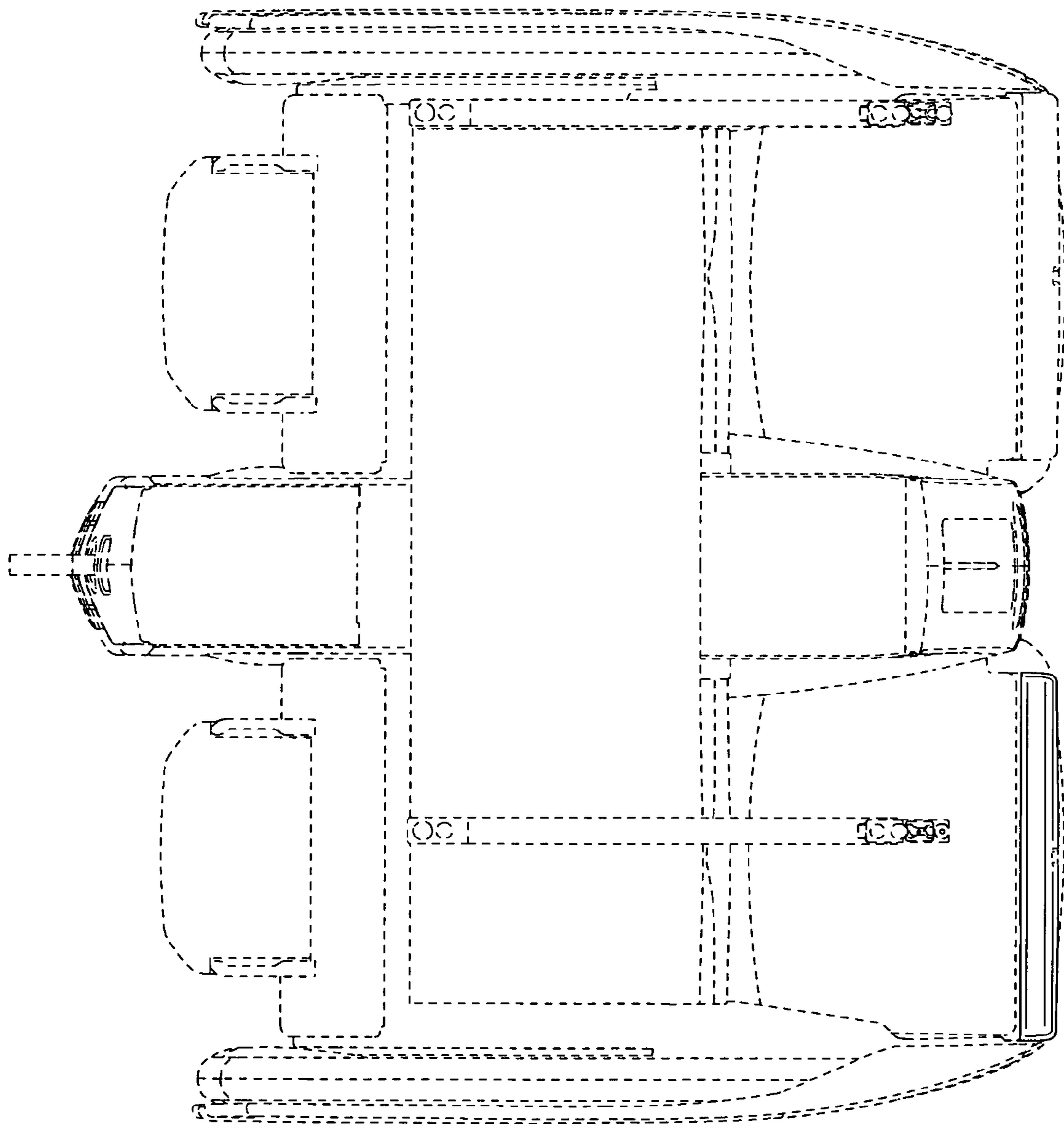


FIG. 4