



US00D625938S

(12) **United States Design Patent**
Gonzalez Arellano

(10) **Patent No.:** **US D625,938 S**
(45) **Date of Patent:** **** *Oct. 26, 2010**

(54) **DEVICE FOR DISPLAYING UV INFORMATION**

(75) Inventor: **Christian Gonzalez Arellano**, Santiago (CL)

(73) Assignee: **Comercial Teccia S.A.**, Santiago (CL)

(*) Notice: This patent is subject to a terminal disclaimer.

(**) Term: **14 Years**

(21) Appl. No.: **29/303,885**

(22) Filed: **Feb. 19, 2008**

(30) **Foreign Application Priority Data**

Aug. 17, 2007 (CL) 2401-2007

(51) **LOC (9) Cl.** **06-04**

(52) **U.S. Cl.** **D6/472**

(58) **Field of Classification Search** D6/300-314,
D6/396, 432, 442, 332, 470, 472; D26/93;
40/411, 564, 770

See application file for complete search history.

(56) **References Cited**

U.S. PATENT DOCUMENTS

D330,919 S *	11/1992	Von Canal	D20/10
D355,791 S *	2/1995	Briley	D6/449
D452,869 S *	1/2002	Ma et al.	D15/81
D457,734 S *	5/2002	Chan	D6/301
D463,499 S *	9/2002	Marcos	D20/10

D472,070 S *	3/2003	de Carolis	D6/441
D479,659 S *	9/2003	Fleckenstein et al.	D6/470
D530,514 S *	10/2006	Hernandez et al.	D3/288
D537,482 S *	2/2007	Gadda et al.	D21/385
D558,985 S *	1/2008	Defenbaugh et al.	D6/300
D571,379 S *	6/2008	Espersen	D15/87
D583,571 S *	12/2008	Fine	D6/300
D592,410 S *	5/2009	Pozin et al.	D6/309

* cited by examiner

Primary Examiner—Elizabeth A Albert

Assistant Examiner—Kelley A Donnelly

(74) *Attorney, Agent, or Firm*—Eric Hanscom; Todd Langford

(57) **CLAIM**

The ornamental design for a device for displaying UV information, as shown and described.

DESCRIPTION

FIG. 1 is an isometric view of a device for displaying UV information in accordance with a design;

FIG. 2 is a front view of the design shown in FIG. 1;

FIG. 3 is a rear view of the design shown in FIG. 1;

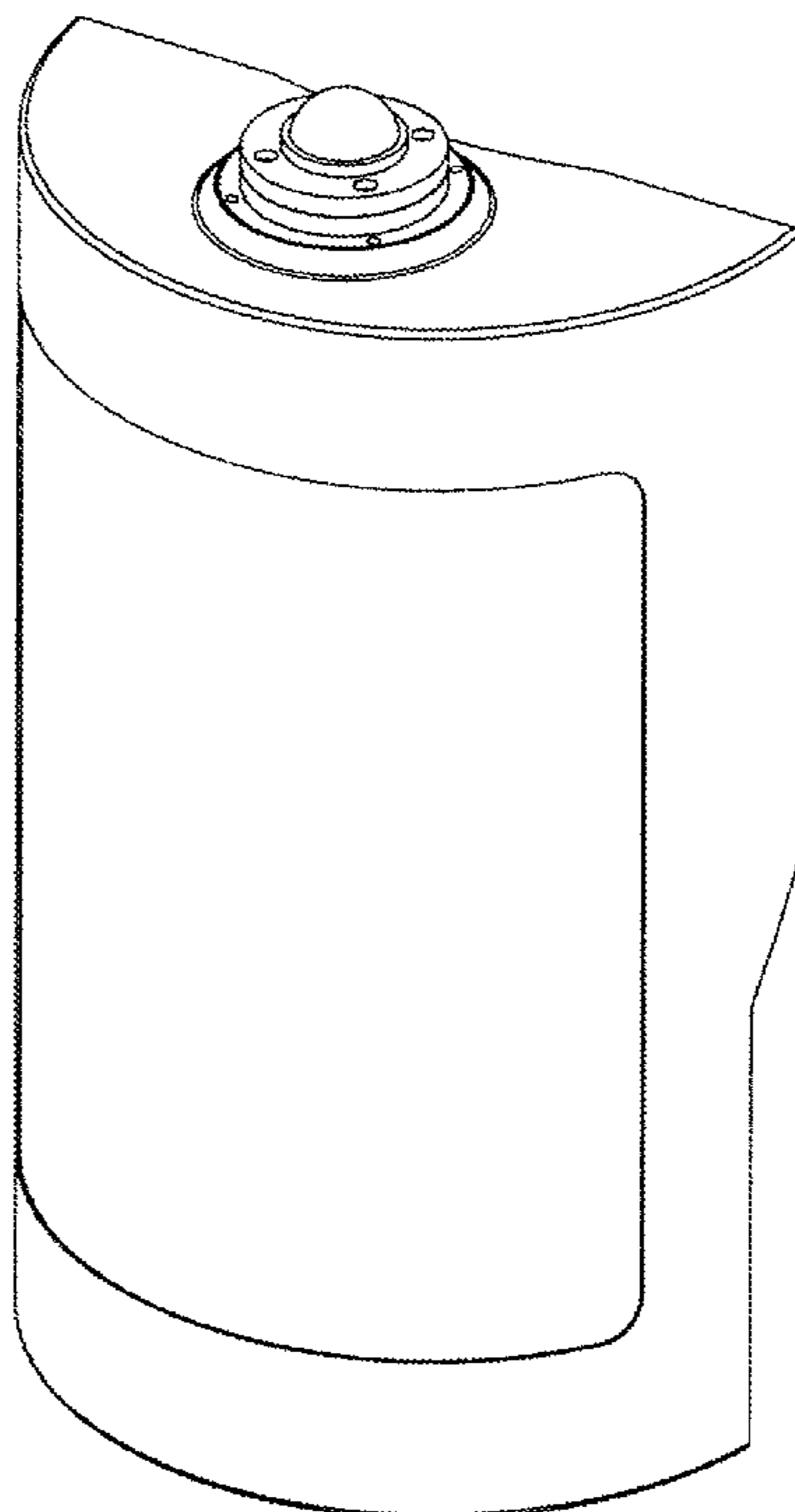
FIG. 4 is a right side view of the design shown in FIG. 1;

FIG. 5 is a top plan view of the design shown in FIG. 1; and,

FIG. 6 is a bottom plan view of the design shown in FIG. 1.

The broken lines are for environmental purposes only and form no part of the claimed design.

1 Claim, 6 Drawing Sheets



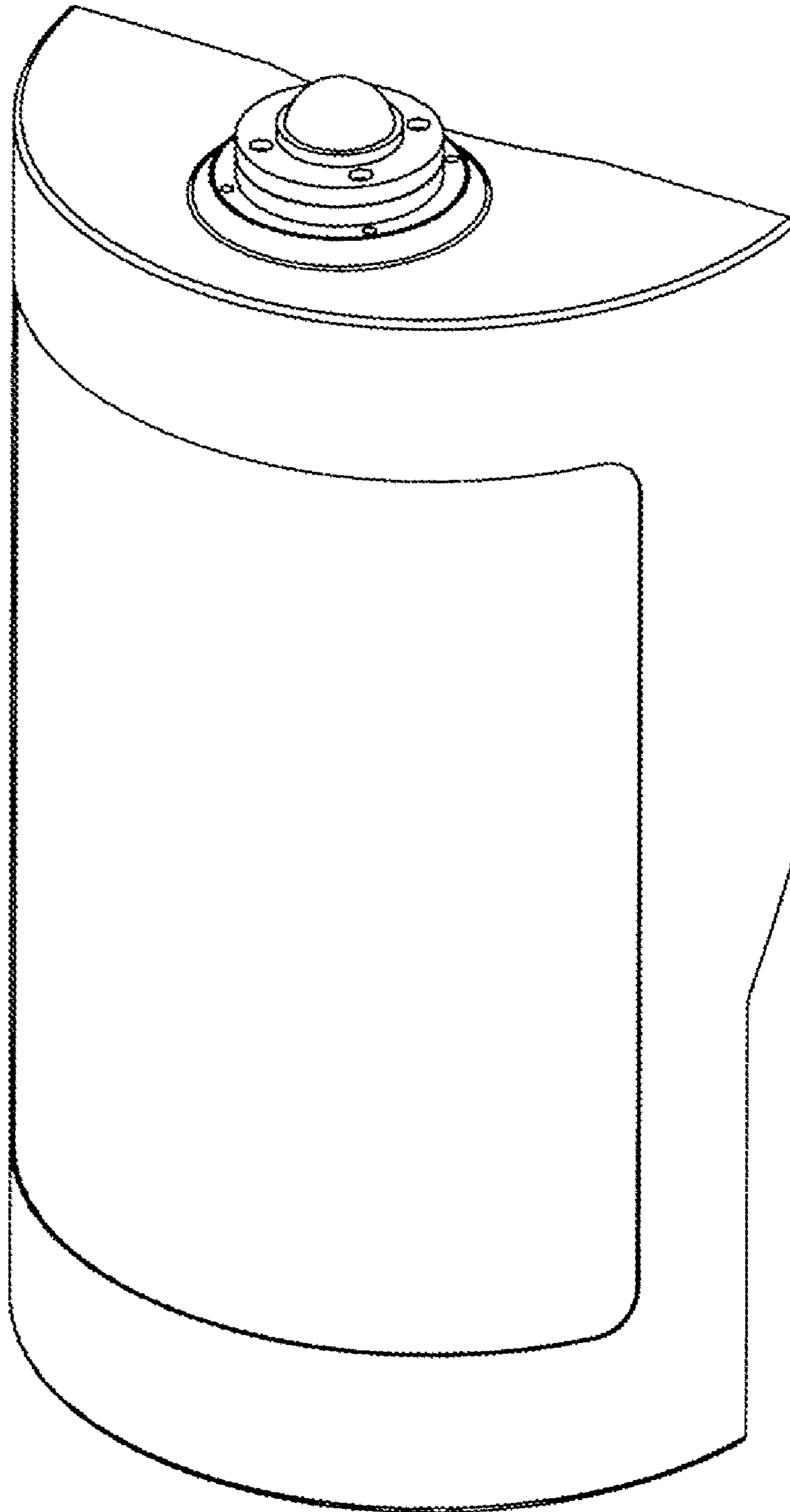


FIG. 1

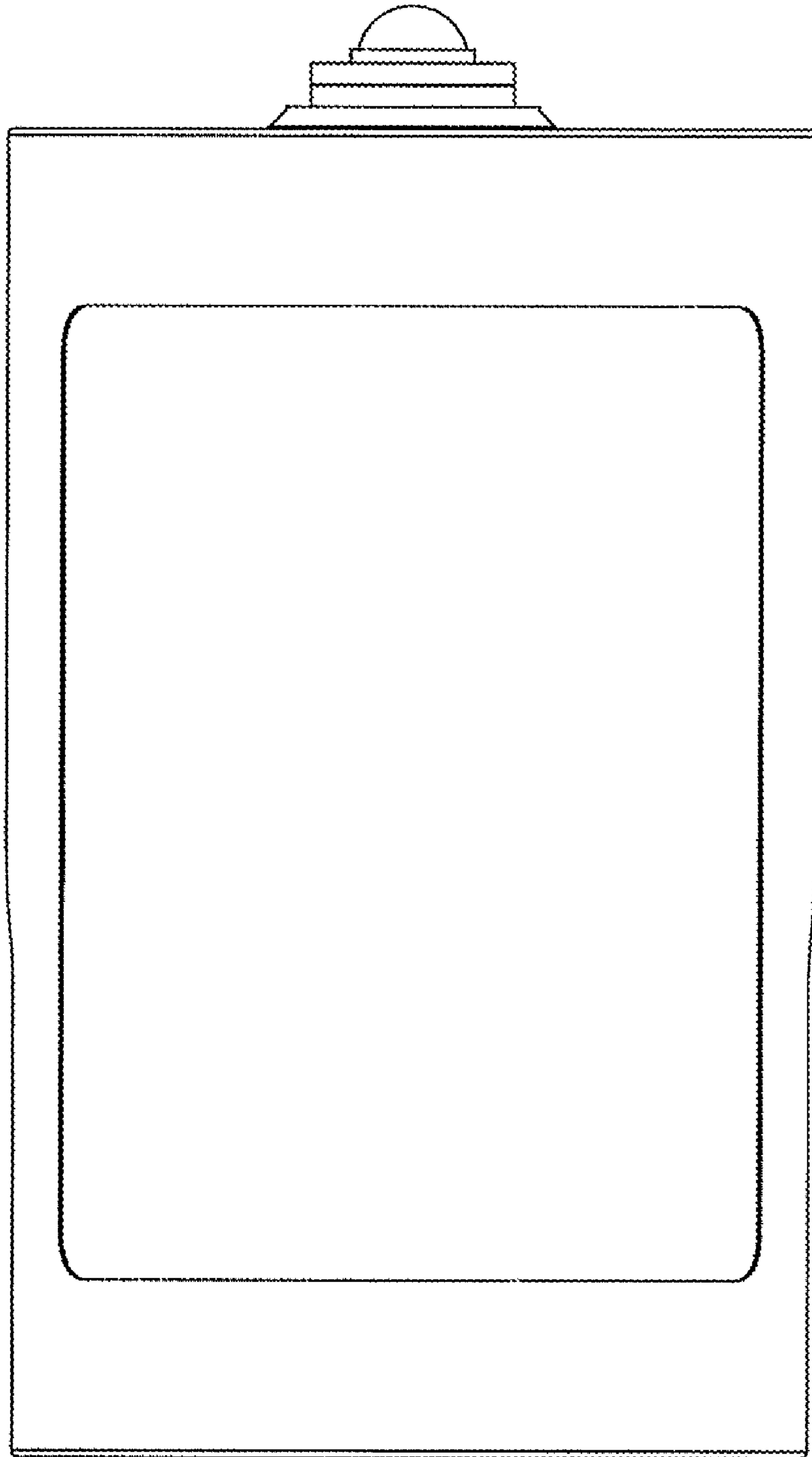


FIG. 2

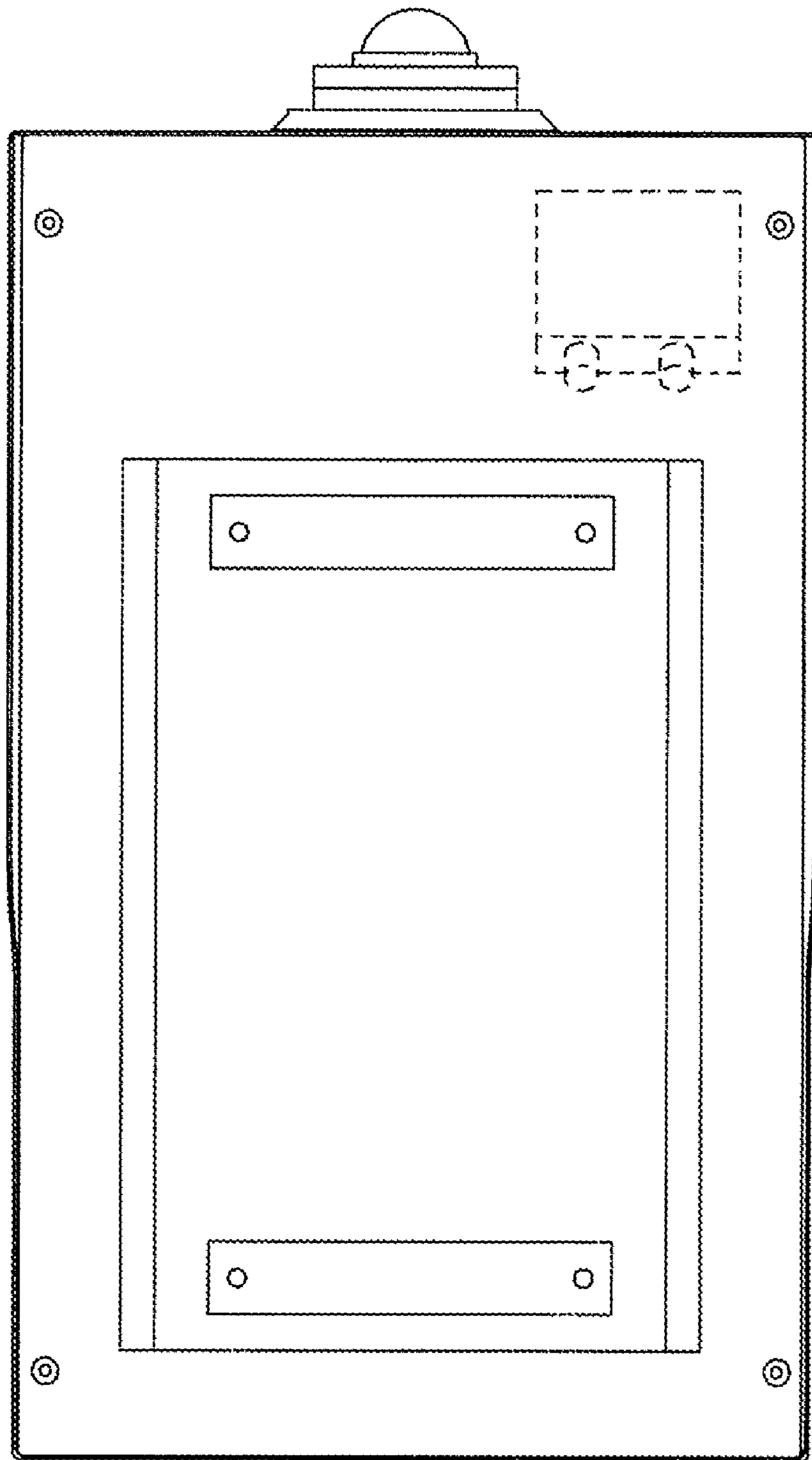


FIG. 3

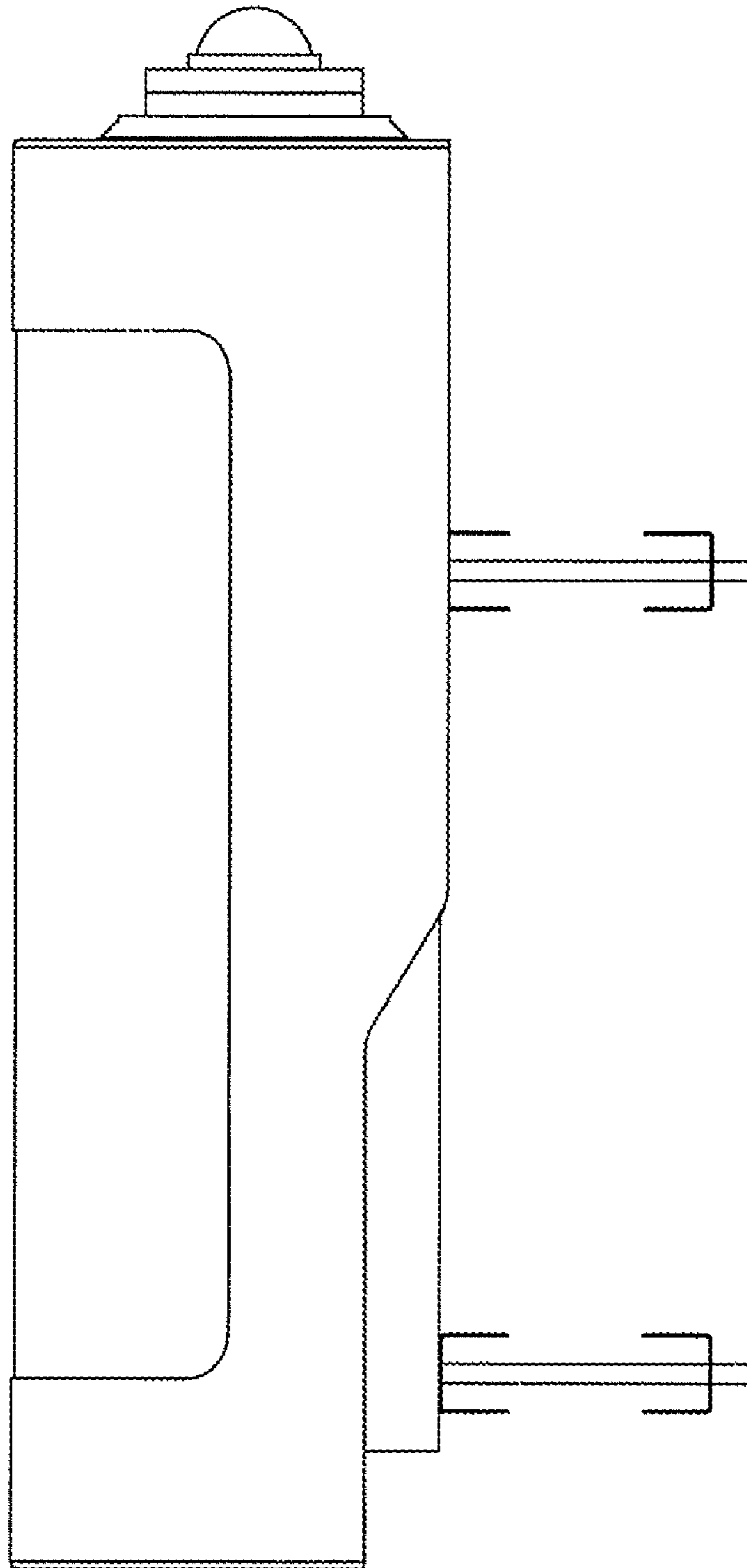


FIG. 4

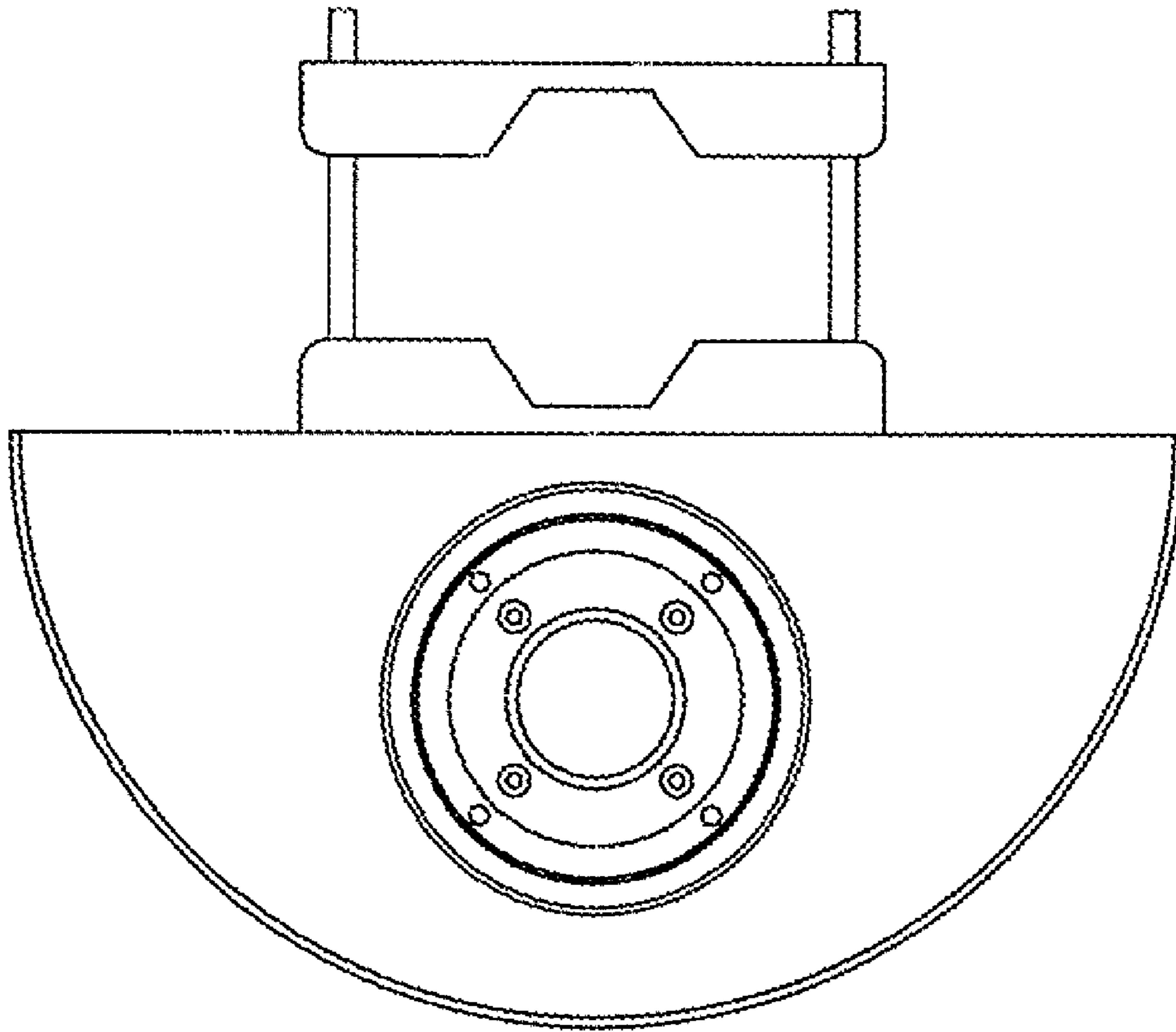


FIG. 5

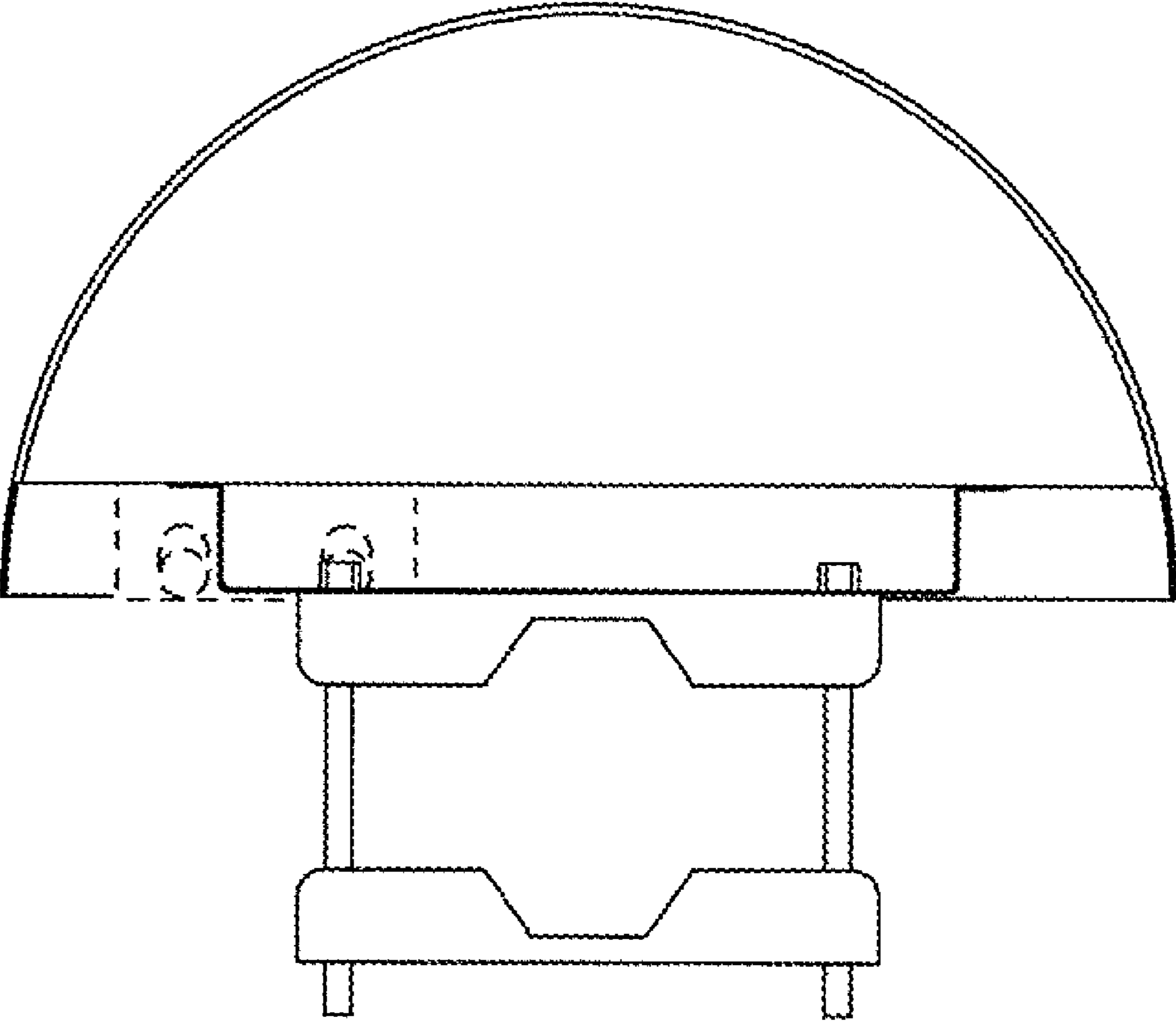


FIG. 6