



US00D625937S

(12) **United States Design Patent**
Goldstein

(10) **Patent No.:** **US D625,937 S**

(45) **Date of Patent:** **** Oct. 26, 2010**

(54) **COIN PROOF SET DISPLAY STAND**

(76) Inventor: **Herman Goldstein**, 12 Woods Rd.,
Freehold, NJ (US) 07728

(**) Term: **14 Years**

(21) Appl. No.: **29/363,280**

(22) Filed: **Jun. 8, 2010**

(51) **LOC (9) Cl.** **06-04**

(52) **U.S. Cl.** **D6/458**

(58) **Field of Classification Search** D6/407,
D6/449, 454-469; 211/13.1, 45, 50, 74,
211/85.31, 85.4, 181; D7/704; D99/34;
248/127, 146, 153, 158, 159, 175, 176.1,
248/295.11, 302, 307

See application file for complete search history.

(56) **References Cited**

U.S. PATENT DOCUMENTS

620,175 A * 2/1899 Pinault 248/295.11

D39,996 S * 5/1909 Michaelis D6/464
2,305,754 A * 12/1942 Woodruff, Jr. 211/45
D160,369 S * 10/1950 Chamberlain D6/449
D250,619 S * 12/1978 Newman D6/458
4,865,283 A * 9/1989 Parker 248/159
D334,855 S * 4/1993 Harrington et al. D6/458
D393,783 S * 4/1998 Goodman D7/704
D479,059 S * 9/2003 Lucht D6/458
D496,191 S * 9/2004 Johnson D6/465

* cited by examiner

Primary Examiner—Mary Ann Calabrese

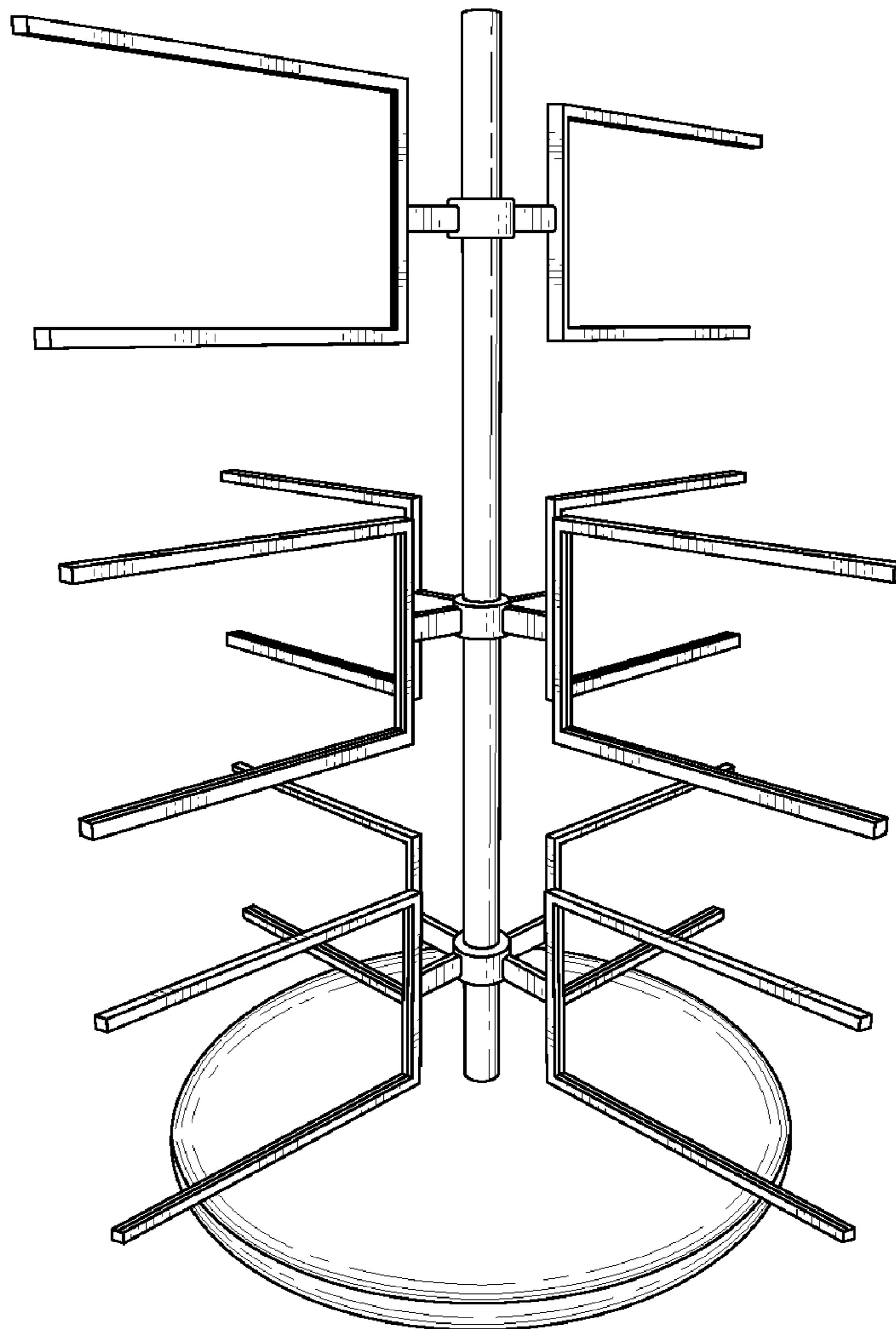
(57) **CLAIM**

The overall ornamental design for a coin proof set display stand, as shown and described.

DESCRIPTION

FIG. 1 is a perspective view thereof; and
FIG. 2 is an alternative perspective view thereof; and,
FIG. 3 is a top plan view thereof.

1 Claim, 1 Drawing Sheet



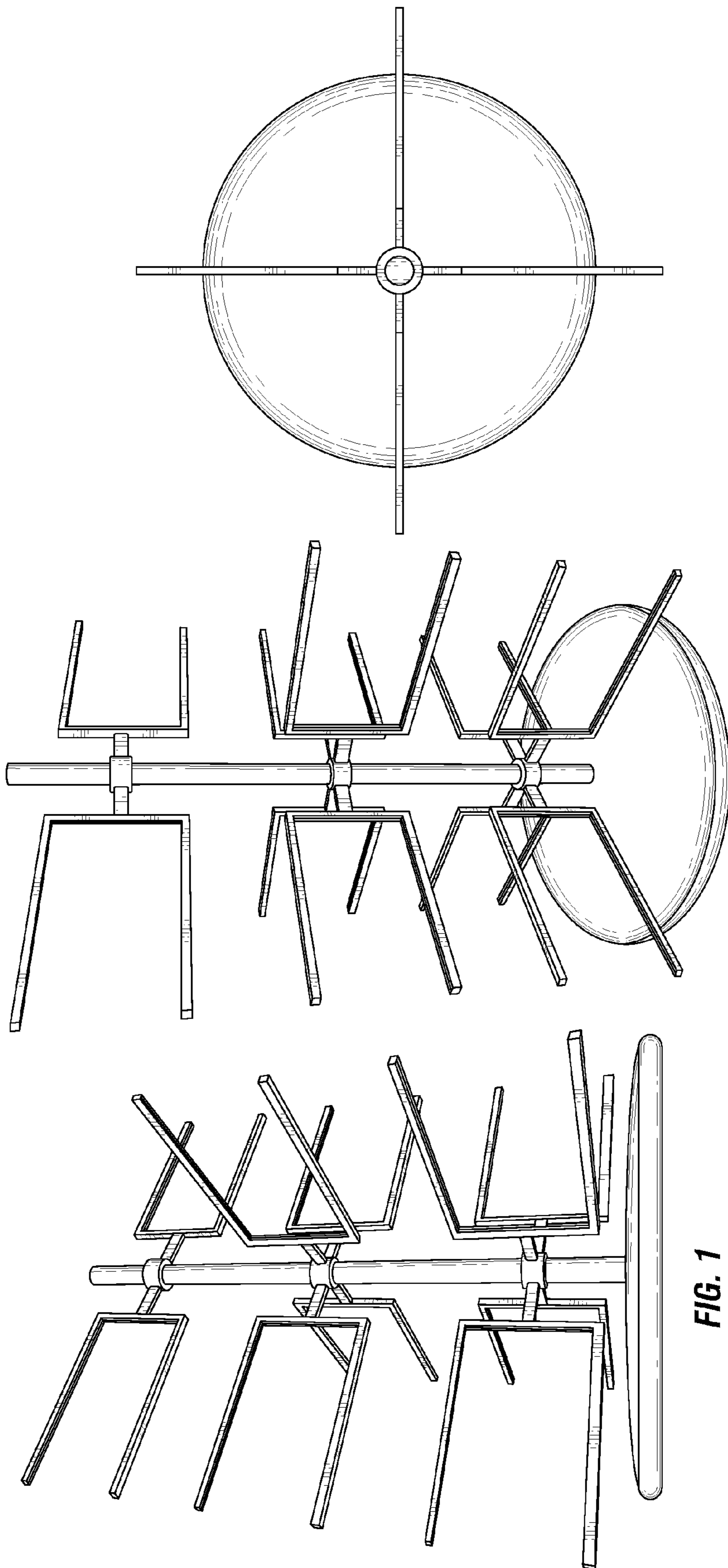


FIG. 1

FIG. 2

FIG. 3